



US00D645662S

(12) **United States Design Patent**
Perez

(10) **Patent No.:** **US D645,662 S**

(45) **Date of Patent:** **** *Sep. 27, 2011**

(54) **TRAVEL BAG**

(75) **Inventor:** **Ed B. Perez**, Granada Hills, CA (US)

(73) **Assignee:** **Force Protector Gear, LLC**, San Fernando, CA (US)

(*) **Notice:** This patent is subject to a terminal disclaimer.

(**) **Term:** **14 Years**

(21) **Appl. No.:** **29/320,700**

(22) **Filed:** **Jul. 1, 2008**

(51) **LOC (9) Cl.** **03-01**

(52) **U.S. Cl.** **D3/279; D3/216; D3/283**

(58) **Field of Classification Search** D3/216,
D3/217, 233, 243, 254-255, 273, 276, 283,
D3/286-287, 289, 290, 904-905; 190/18 A,
190/100, 103, 107, 109, 111, 115, 903
See application file for complete search history.

(56) **References Cited**

U.S. PATENT DOCUMENTS

D285,748	S	*	9/1986	Feinberg et al.	D3/286
D317,081	S	*	5/1991	King	D3/287
5,413,199	A	*	5/1995	Clement	190/108
D362,548	S	*	9/1995	King et al.	D3/301
6,202,910	B1	*	3/2001	Swetish	224/627
6,604,617	B2	*	8/2003	Davis et al.	190/107
D481,540	S	*	11/2003	Van Himbeeck	D3/289
6,883,654	B2	*	4/2005	Godshaw et al.	190/115
6,926,129	B2	*	8/2005	Hoberman	190/107
D530,088	S	*	10/2006	Kokawa	D3/283
D540,037	S	*	4/2007	Newson	D3/289
D548,966	S	*	8/2007	Aliberti et al.	D3/283

D560,450	S	*	1/2008	Tagliati et al.	D7/709
D575,059	S	*	8/2008	Cappiello et al.	D3/283
2005/0034947	A1	*	2/2005	Nykoluk	190/18 A

OTHER PUBLICATIONS

FOR68-BLK Deployer XP at <http://www.forceprotector.com/store/index.php?p=product&id=67&parent=0>. Downloaded Apr. 10, 2009.*

Tactical Tailor Rolling Duffel at <http://www.ustacticalsupply.com/rollingduffle.aspx>. Downloaded Apr. 13, 2009.*

* cited by examiner

Primary Examiner — Philip S Hyder

Assistant Examiner — Roselynn Cody

(74) *Attorney, Agent, or Firm* — James A. Itaila; Italia IP

(57) **CLAIM**

The ornamental design for a travel bag, as shown and described.

DESCRIPTION

FIG. 1 is a perspective view of a travel bag showing my new design;

FIG. 2 is a bottom view of the travel bag in FIG. 1;

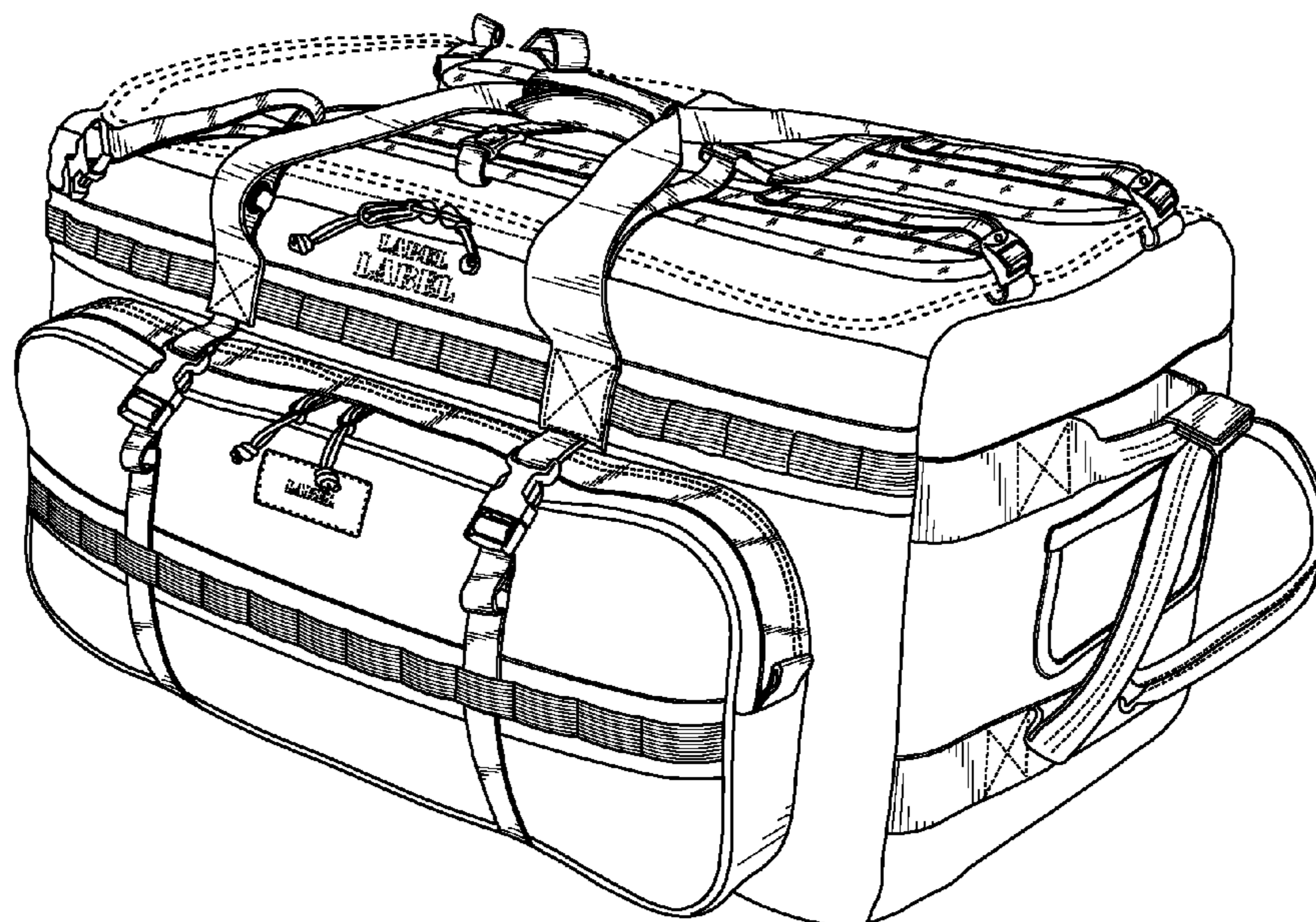
FIG. 3 is a perspective view of the travel bag in FIG. 1 from a slightly different angle;

FIG. 4 is a perspective view of the travel bag in FIG. 1 from the same angle in FIG. 3 shown without the accessory straps; and,

FIG. 5 is a perspective view of the travel bag in FIG. 1 shown from a slightly different angle.

The broken lines describing the lid and suggesting label information in FIGS. 1 and 3-5 illustrate aspects of the design that form no part of the claim. All other broken lines in the figures indicate stitching that does form part of the claimed design.

1 Claim, 5 Drawing Sheets



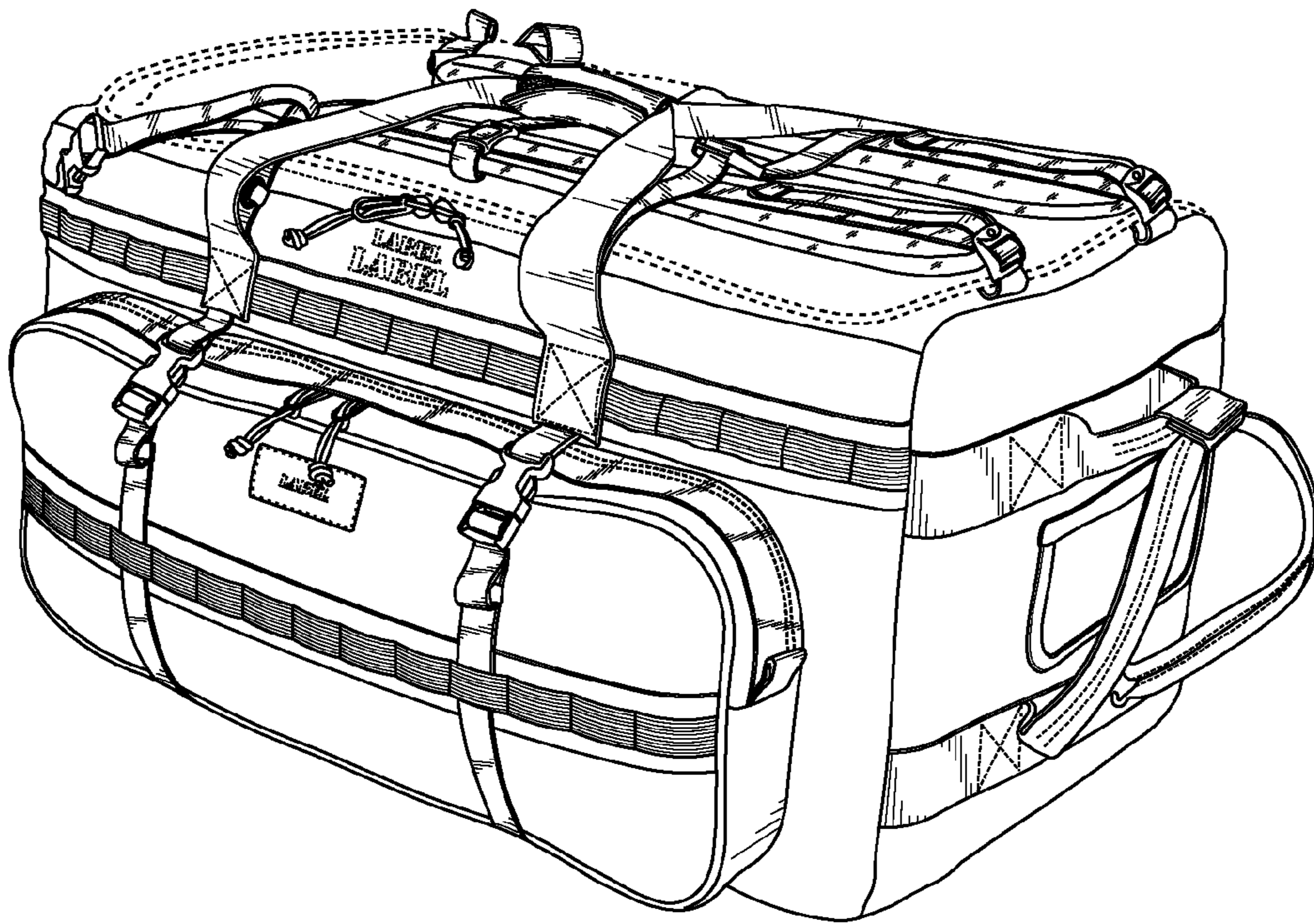


FIG. 1

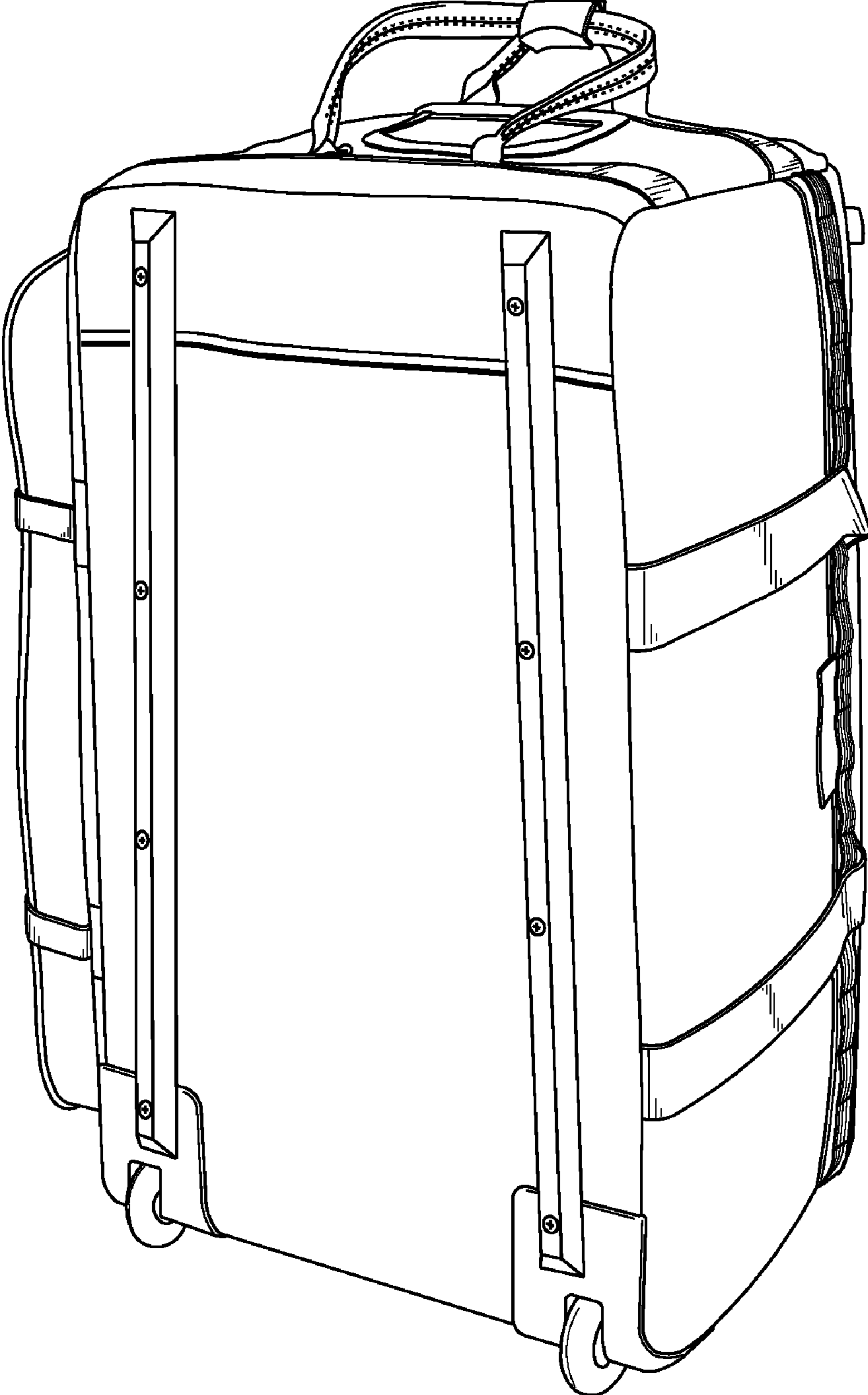


FIG. 2

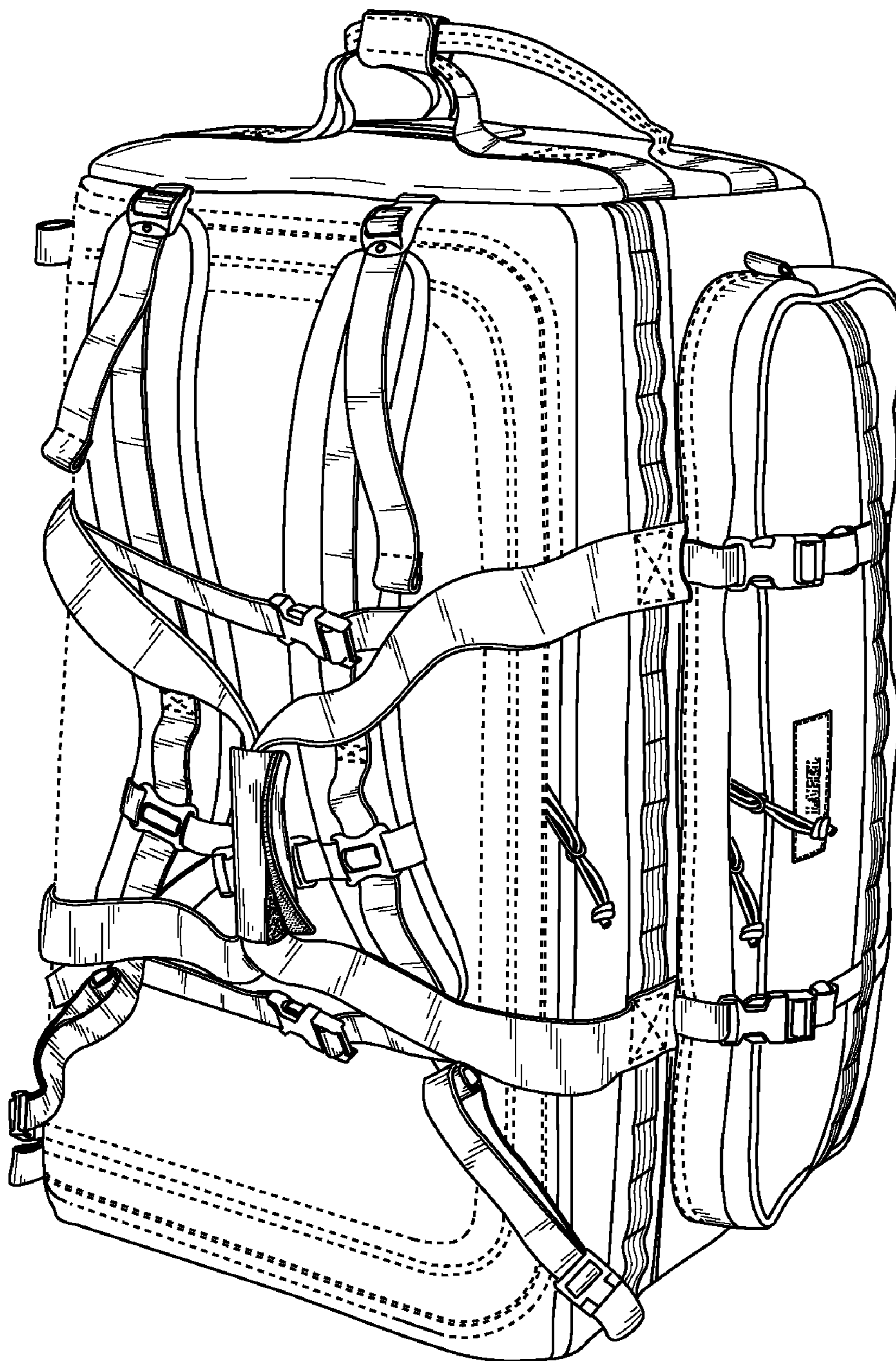


FIG. 3

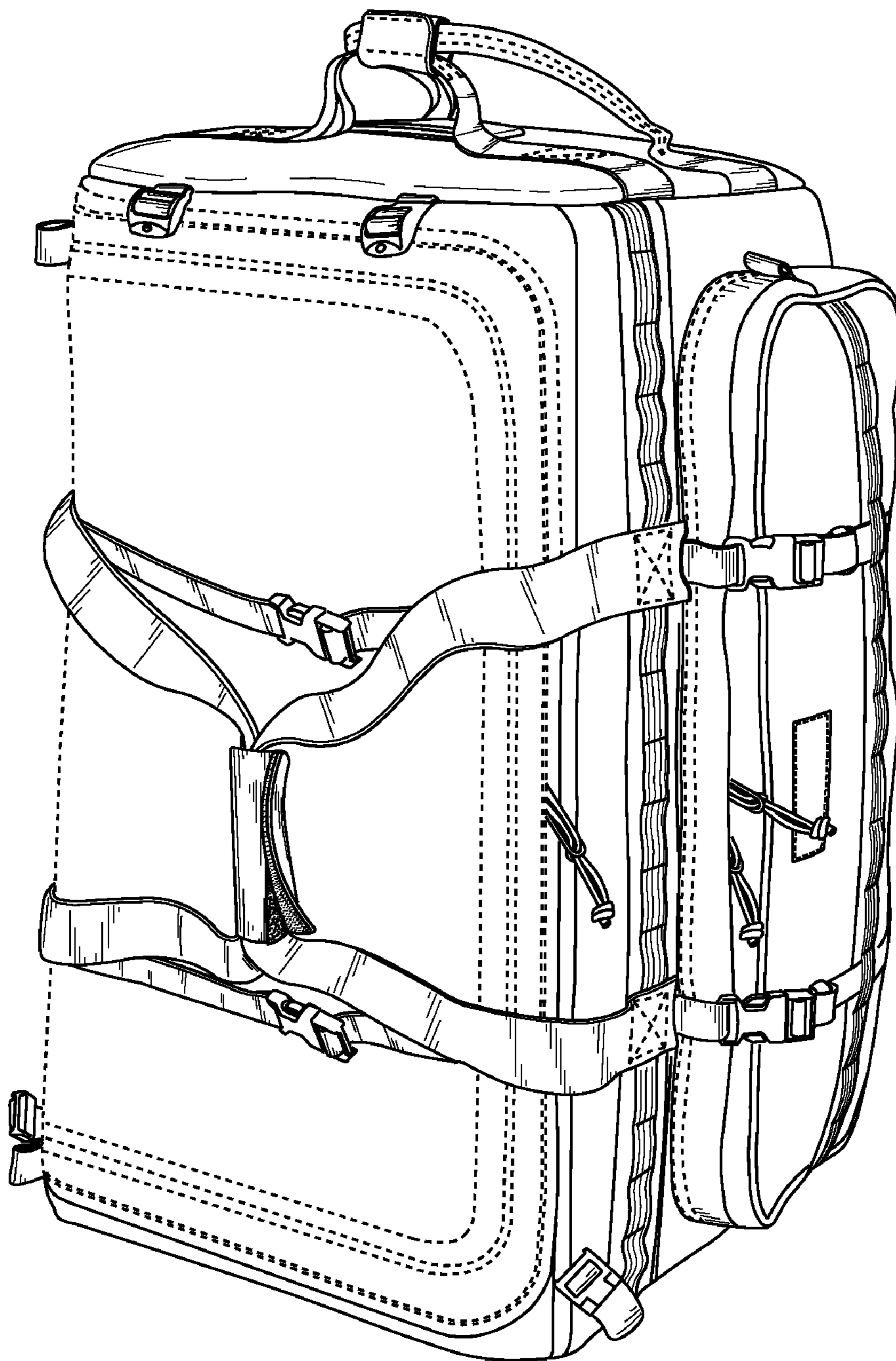


FIG. 4

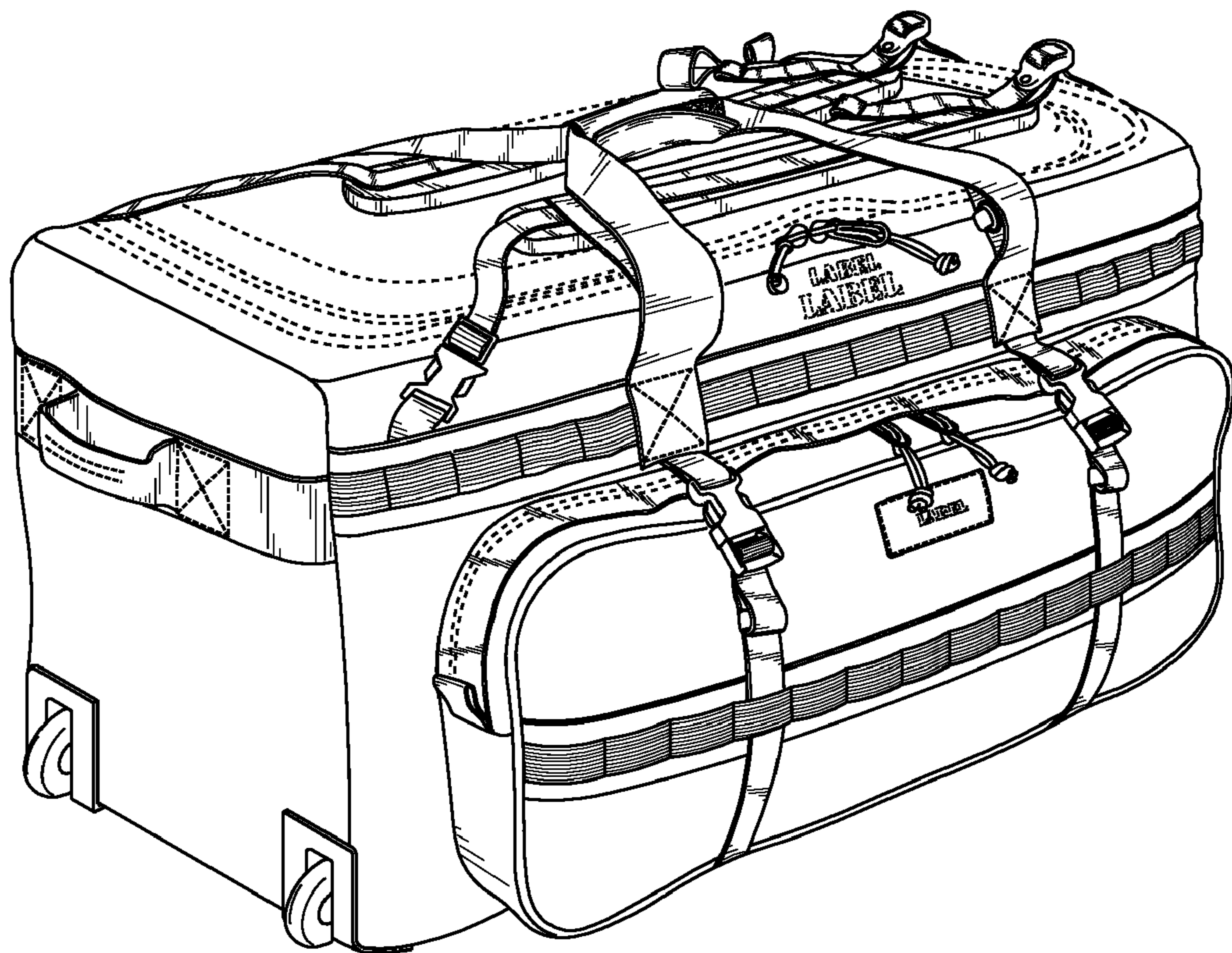


FIG. 5