



US00D645660S

(12) **United States Design Patent**  
**Liebers**

(10) **Patent No.:** **US D645,660 S**

(45) **Date of Patent:** **\*\* Sep. 27, 2011**

- (54) **CASE FOR READING GLASSES**
- (75) Inventor: **Steven B. Liebers**, Norristown, PA (US)
- (73) Assignee: **Diversified Products, Inc.**, Colleagueville, PA (US)
- (\*\*) Term: **14 Years**
- (21) Appl. No.: **29/364,002**
- (22) Filed: **Jun. 17, 2010**

- 4,951,811 A 8/1990 Lines
- 4,960,208 A 10/1990 Tempke
- 5,016,749 A 5/1991 Kaye et al.
- D332,525 S \* 1/1993 Ogata ..... D3/265
- D336,564 S 6/1993 Kidd
- D346,815 S \* 5/1994 Wake ..... D3/265
- D349,403 S \* 8/1994 Cereda ..... D3/266
- D351,945 S 11/1994 Kopel
- D366,758 S \* 2/1996 Weiler ..... D3/219
- 5,513,744 A 5/1996 Yabarra
- D379,263 S 5/1997 Sussman
- 5,706,935 A 1/1998 Lorton
- D406,460 S \* 3/1999 Newcomer ..... D3/265
- D411,347 S \* 6/1999 Newcomer ..... D3/265
- 5,921,383 A 7/1999 Shefler

(Continued)

**Related U.S. Application Data**

- (63) Continuation-in-part of application No. 29/360,246, filed on Apr. 22, 2010.
- (51) **LOC (9) Cl.** ..... **03-01**
- (52) **U.S. Cl.** ..... **D3/265**
- (58) **Field of Classification Search** ..... D3/263-266, D3/219; 206/5, 5.1, 6  
See application file for complete search history.

*Primary Examiner* — David Muller

(74) *Attorney, Agent, or Firm* — Caesar, Rivise, Bernstein, Cohen & Pokotilow, Ltd.

(57) **CLAIM**

The ornamental design for the case for reading glasses, as shown and described.

(56) **References Cited**

**U.S. PATENT DOCUMENTS**

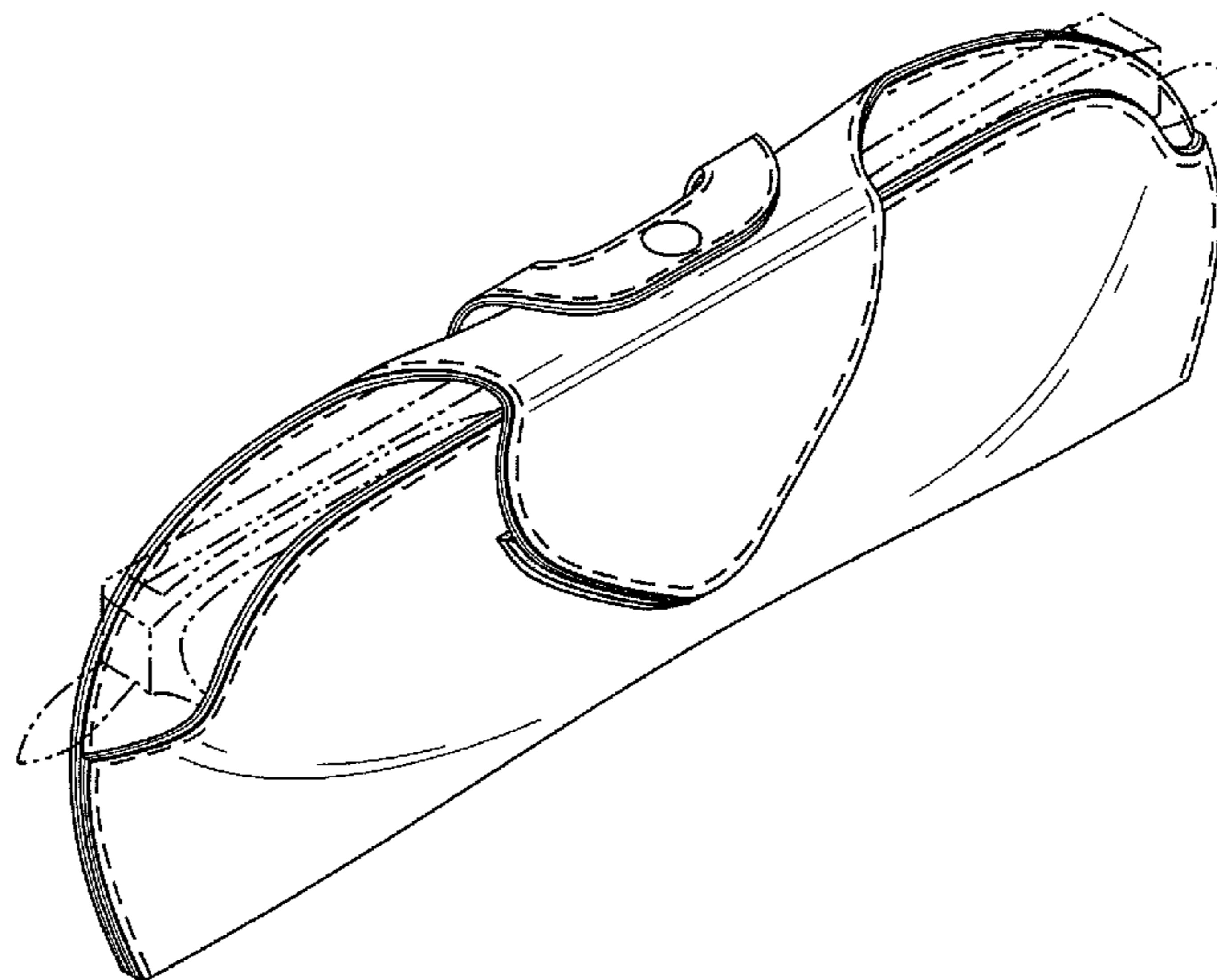
- 1,995,664 A 3/1935 Boyes
- 2,294,794 A 9/1942 Morelli
- D136,361 S \* 9/1943 Sockett ..... D3/265
- 2,351,447 A \* 6/1944 Nathan ..... 206/5
- 2,720,305 A 10/1955 Foster
- 2,723,745 A 11/1955 McNeill
- 2,730,152 A 1/1956 Stakofsky
- 2,851,076 A 9/1958 Stakofsky
- 2,877,779 A 3/1959 Bromberg
- 3,116,829 A 1/1964 Pacelli
- 3,144,127 A 8/1964 Fogel
- 3,825,110 A 7/1974 Halbich et al.
- D251,084 S \* 2/1979 Marks ..... D3/265
- D266,205 S \* 9/1982 Berman ..... D3/219
- D279,522 S \* 7/1985 Scopettone ..... D3/265
- 4,823,943 A \* 4/1989 Chang ..... 206/5
- 4,865,186 A 9/1989 Gates
- D308,752 S 6/1990 Hall
- 4,938,326 A 7/1990 Pfeiffer

**DESCRIPTION**

FIG. 1 is an isometric view of a case for reading glasses in accordance with a preferred embodiment of my design; FIG. 2 is a front view of the case for reading glasses of FIG. 1; FIG. 3 is a rear view of the case for reading glasses of FIG. 1; FIG. 4 is a top view of the case for reading glasses of FIG. 1; FIG. 5 is a bottom view of the case for reading glasses of FIG. 1; FIG. 6 is a right side view of the case for reading glasses of FIG. 1; and, FIG. 7 is a left side view of the case for reading glasses of FIG. 1.

The phantom lines and the dashed lines shown in the figures represent environmental subject matter and form no part of the claimed design.

**1 Claim, 2 Drawing Sheets**



# US D645,660 S

Page 2

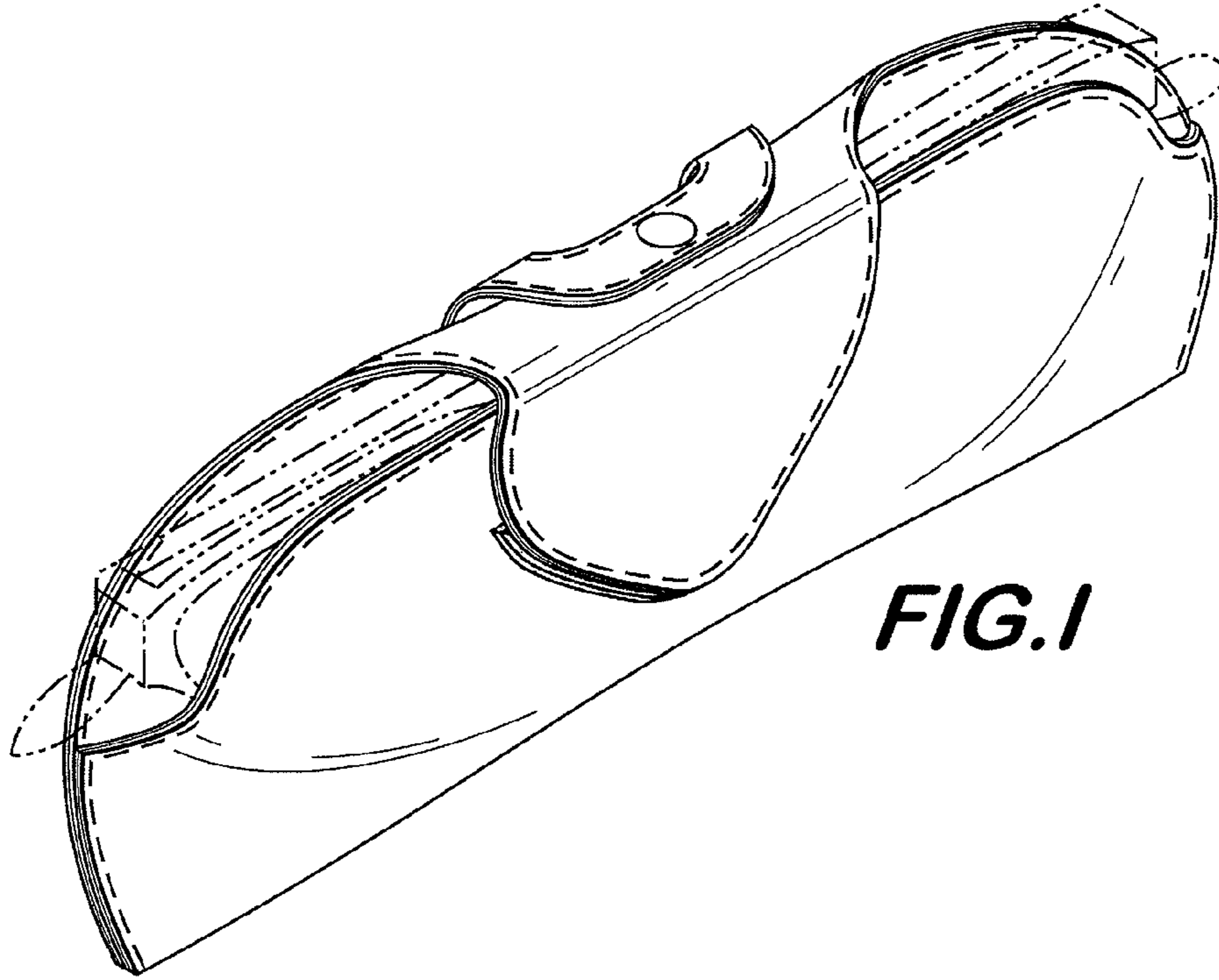
---

## U.S. PATENT DOCUMENTS

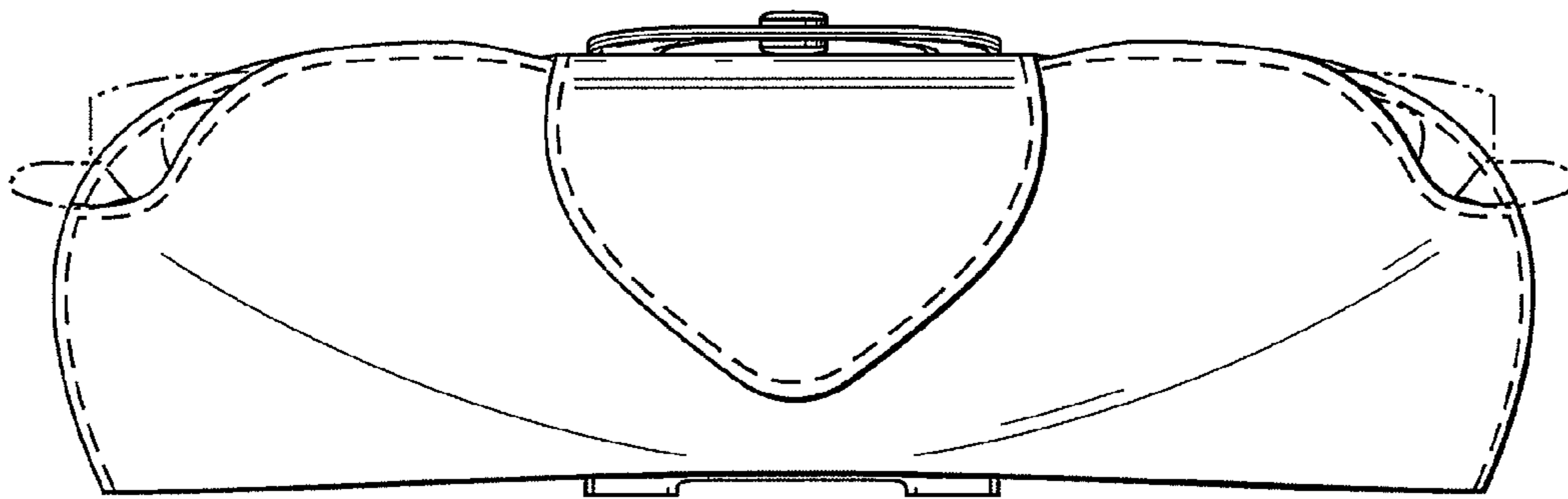
6,003,663 A 12/1999 Newcomer  
D429,417 S 8/2000 Liebers et al.  
6,164,452 A 12/2000 Ellis  
D452,612 S 1/2002 Alexandroff

6,382,482 B1 5/2002 Chao  
D484,692 S 1/2004 Lane  
D611,708 S \* 3/2010 Alexander ..... D3/265

\* cited by examiner

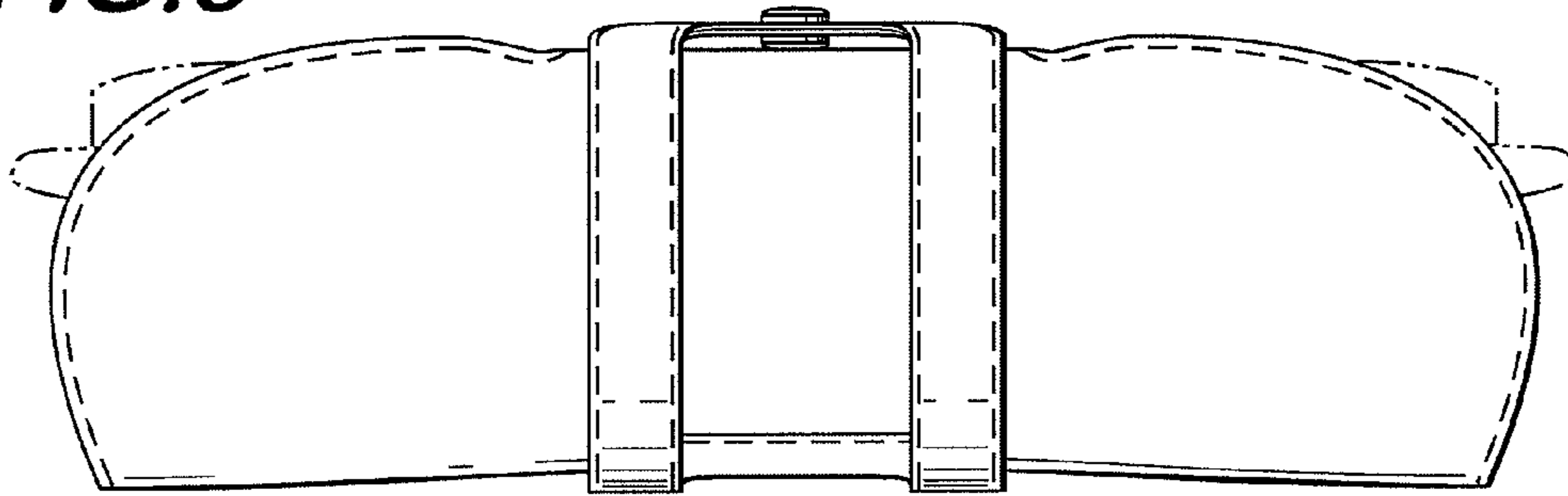


**FIG. 1**

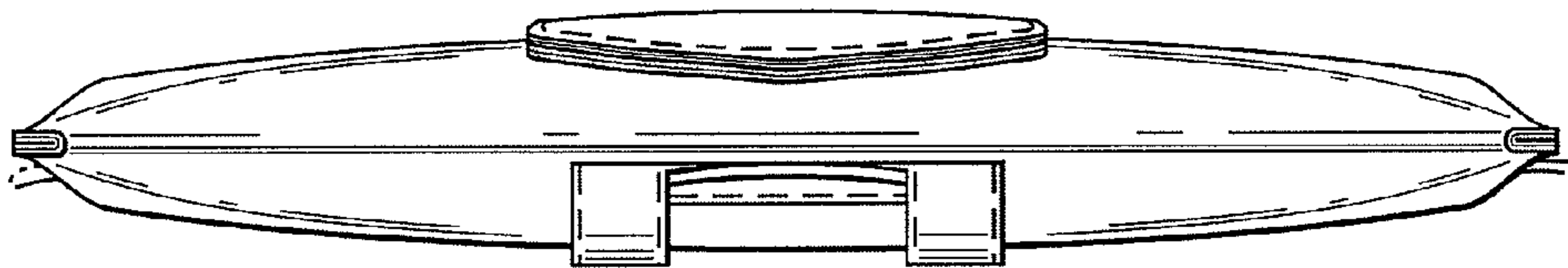
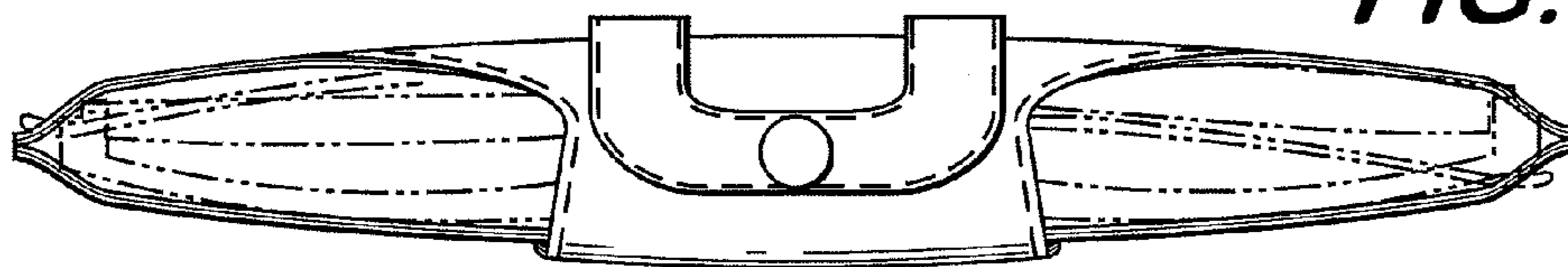


**FIG. 2**

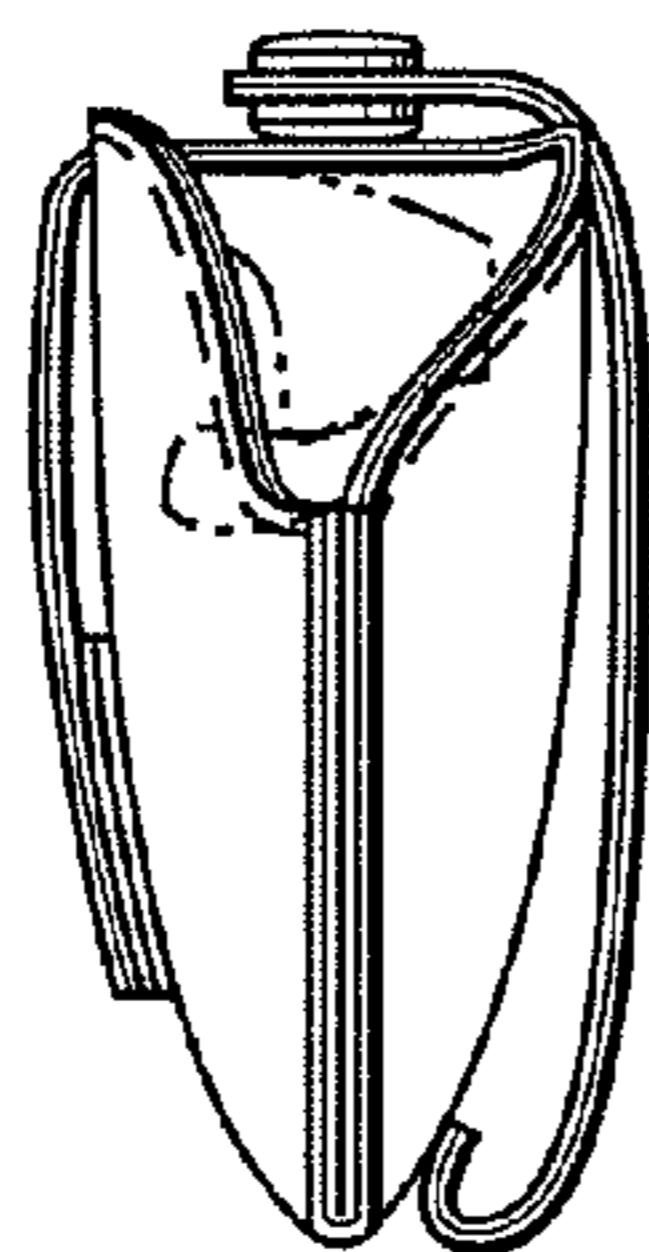
**FIG. 3**



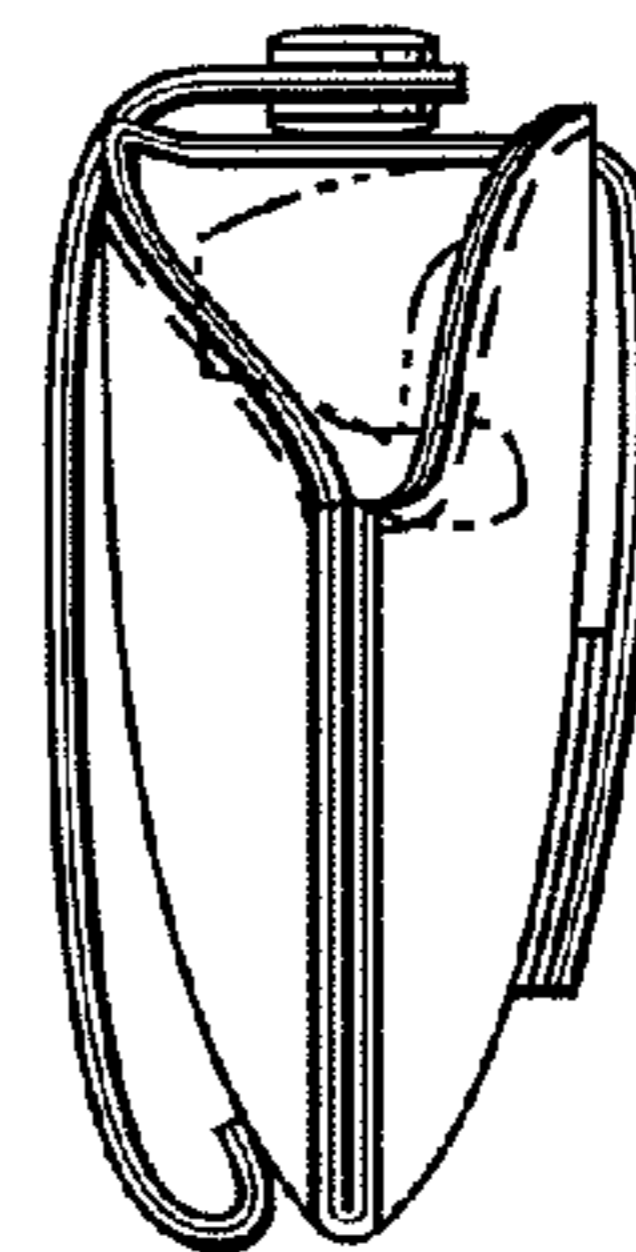
**FIG. 4**



**FIG. 5**



**FIG. 6**



**FIG. 7**