



US00D645654S

(12) **United States Design Patent**
MacIntyre

(10) **Patent No.:** **US D645,654 S**

(45) **Date of Patent:** **** Sep. 27, 2011**

(54) **FOOTWEAR UPPER**

(75) Inventor: **Jennifer MacIntyre**, Santa Barbara, CA (US)

(73) Assignee: **Deckers Outdoor Corporation**, Goleta, CA (US)

(**) Term: **14 Years**

(21) Appl. No.: **29/386,213**

(22) Filed: **Feb. 25, 2011**

Related U.S. Application Data

(62) Division of application No. 29/378,201, filed on Nov. 1, 2010, now Pat. No. Des. 636,576.

(51) **LOC (9) Cl.** **02-99**

(52) **U.S. Cl.** **D2/970**

(58) **Field of Classification Search** D2/896,
D2/900, 909-911, 943, 946, 969, 970, 974;
36/83, 1.5, 2 R, 109, 3 A, 7.1 R, 45, 52, 112,
36/100

See application file for complete search history.

(56) **References Cited**

U.S. PATENT DOCUMENTS

D21,954 S	11/1892	Richardson	
904,254 A	11/1908	Fox	
D042,322 S	3/1912	Grosvenor	
D125,568 S	3/1941	Hard	
D145,453 S	8/1946	L'Hollier	
D152,309 S	1/1949	Williams	
D155,573 S	10/1949	Bingham, Jr.	
D159,577 S	8/1950	Barron	
D159,761 S *	8/1950	Stromberg, Jr.	D2/910
D227,197 S *	6/1973	Fukuoka	D2/910
D270,205 S	8/1983	Casetta	
D319,332 S *	8/1991	Itzkowitz	D2/910
D400,342 S	11/1998	Davidowitz	
D410,322 S	6/1999	Davidowitz	
D481,863 S *	11/2003	Belley et al.	D2/970
D529,269 S *	10/2006	Belley et al.	D2/970

D539,024 S *	3/2007	Belley et al.	D2/970
D554,341 S	11/2007	Belley	
D556,998 S	12/2007	Belley	
D561,983 S	2/2008	FitzGerald	
D572,893 S	7/2008	Le	
D572,894 S	7/2008	Le	

(Continued)

FOREIGN PATENT DOCUMENTS

EM 000718002-0007 4/2007

Primary Examiner — Rob Spear

Assistant Examiner — Rashida C McCoy

(74) *Attorney, Agent, or Firm* — Greer, Burns & Crain, Ltd.

(57) **CLAIM**

The ornamental design for a footwear upper, as shown and described.

DESCRIPTION

FIG. 1 is a lateral perspective view of footwear upper showing my new design;

FIG. 2 is a lateral side elevational view thereof;

FIG. 3 is a medial side elevational view thereof;

FIG. 4 is a front elevational view thereof;

FIG. 5 is a rear elevational view thereof;

FIG. 6 is a top plan view thereof;

FIG. 7 is a bottom plan view thereof;

FIG. 8 is a lateral perspective view thereof in a folded down position;

FIG. 9 is a lateral side elevational view thereof;

FIG. 10 is a medial side elevational view thereof;

FIG. 11 is a front elevational view thereof;

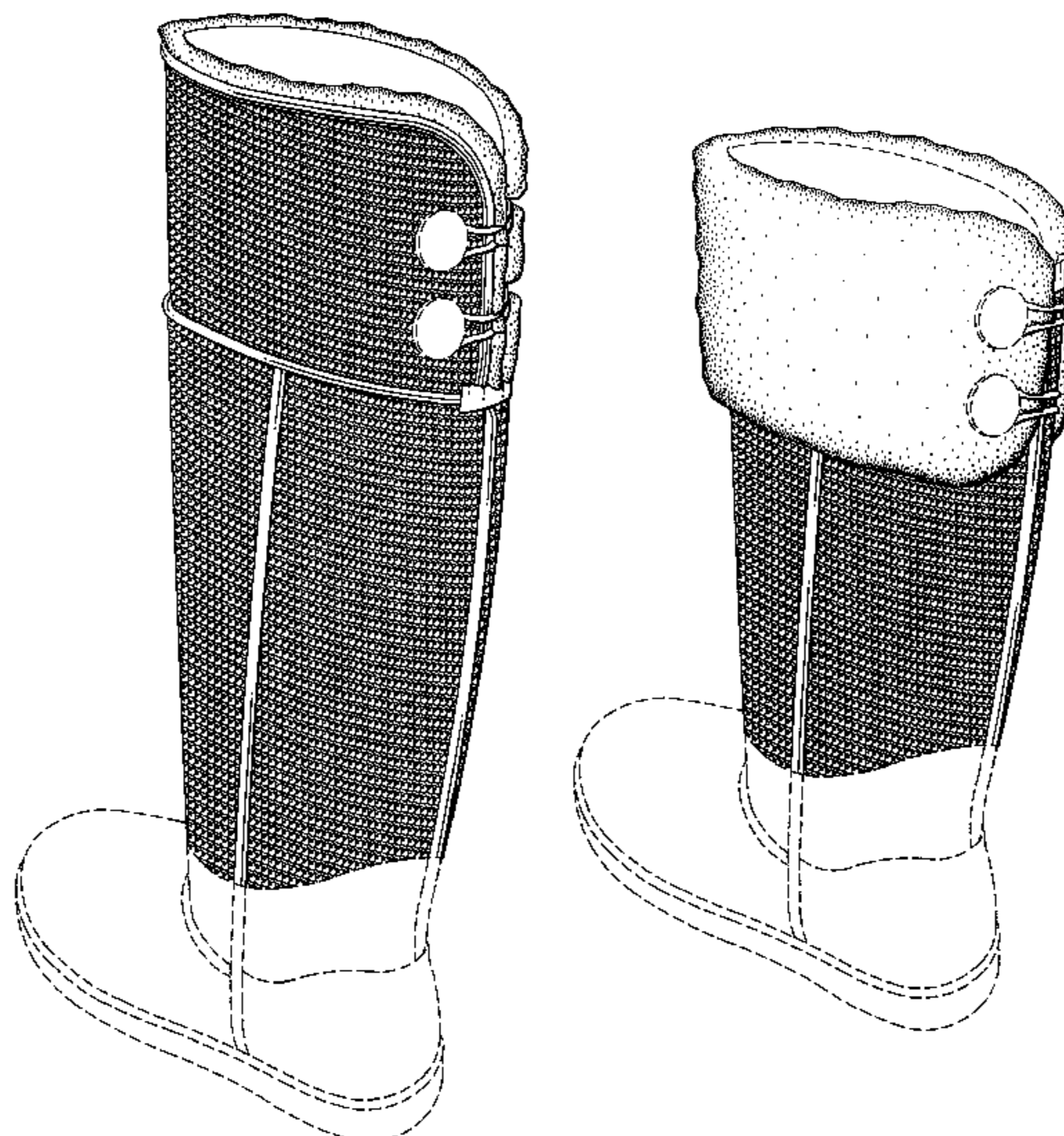
FIG. 12 is a rear elevational view thereof;

FIG. 13 is a top plan view thereof; and,

FIG. 14 is a bottom plan view thereof.

The broken lines in FIGS. 1-14 represent portions of the footwear that form no part of the claimed design. The broken lines that define the bounds of the claimed design form no part thereof.

1 Claim, 10 Drawing Sheets



US D645,654 S

Page 2

U.S. PATENT DOCUMENTS

D574,600 S	8/2008	St-Louis	D589,241 S	3/2009	Le
D575,050 S	8/2008	St-Louis	D599,999 S	9/2009	MacIntyre
D576,783 S	9/2008	Earle	D609,885 S	2/2010	Briggs
D579,188 S	10/2008	Le	D612,587 S	3/2010	Wang
D582,650 S *	12/2008	Uratsu D2/970	D616,189 S	5/2010	MacIntyre
D582,651 S	12/2008	Andersen	D616,190 S	5/2010	MacIntyre
D585,635 S	2/2009	Le			

* cited by examiner

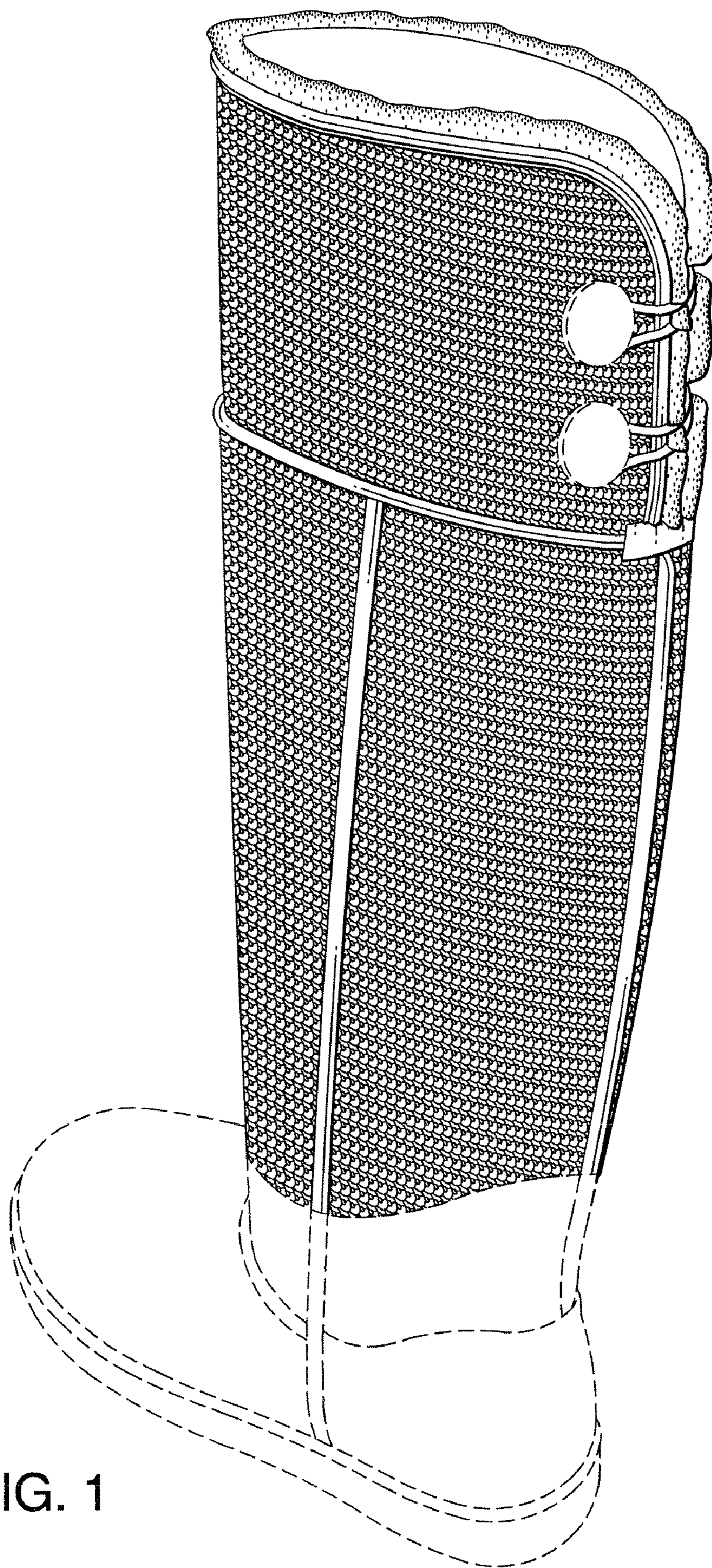


FIG. 1

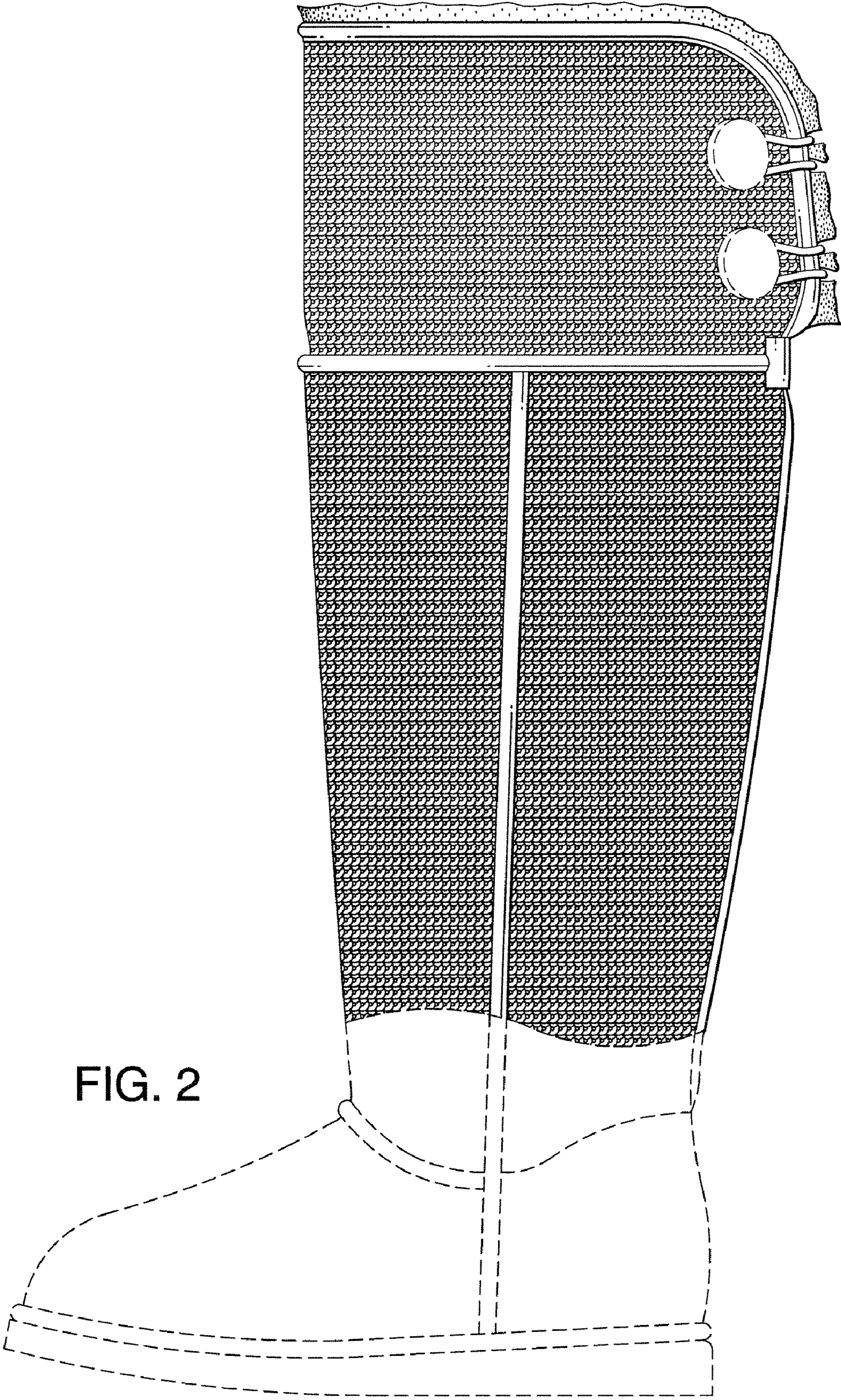


FIG. 2

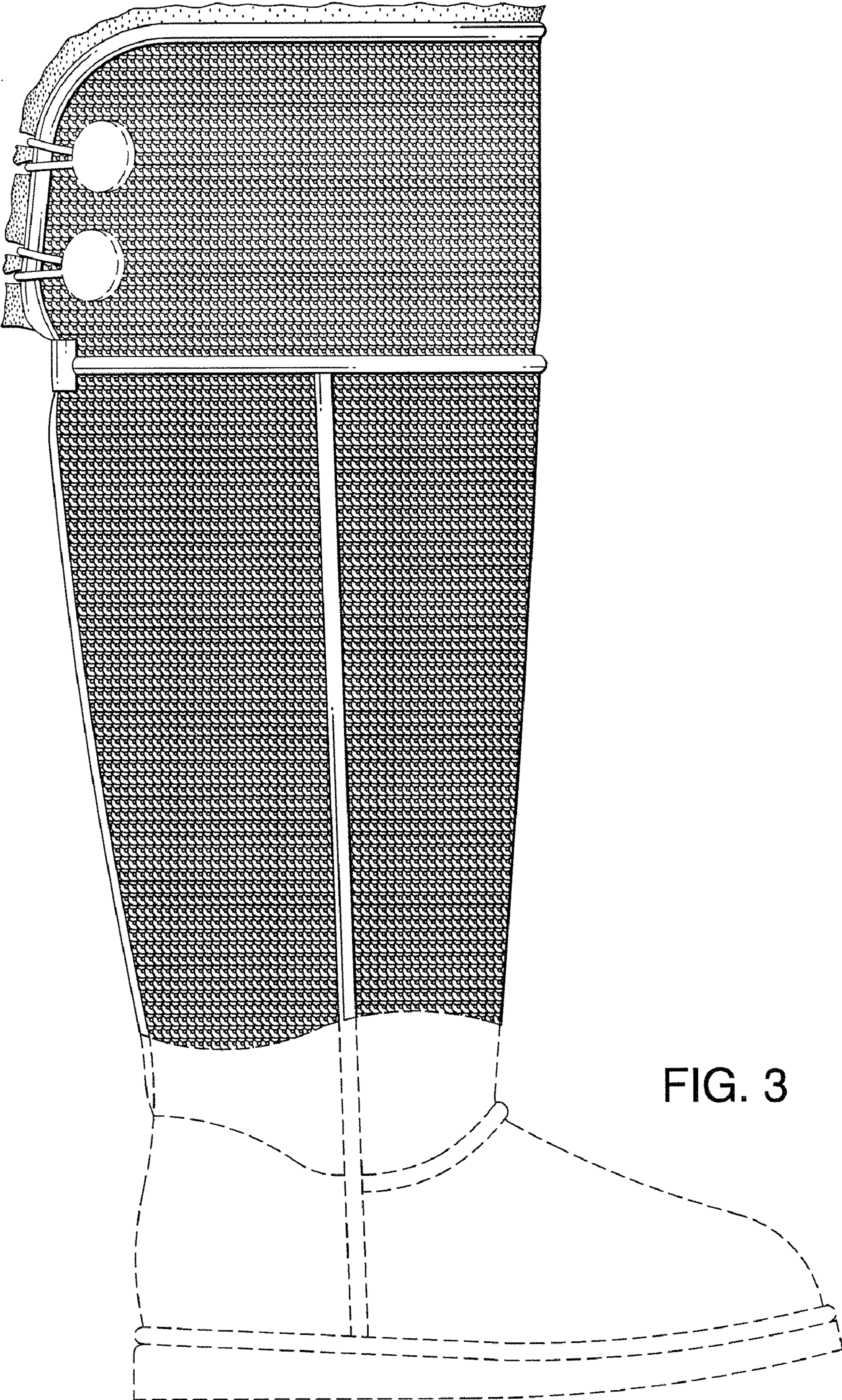


FIG. 3

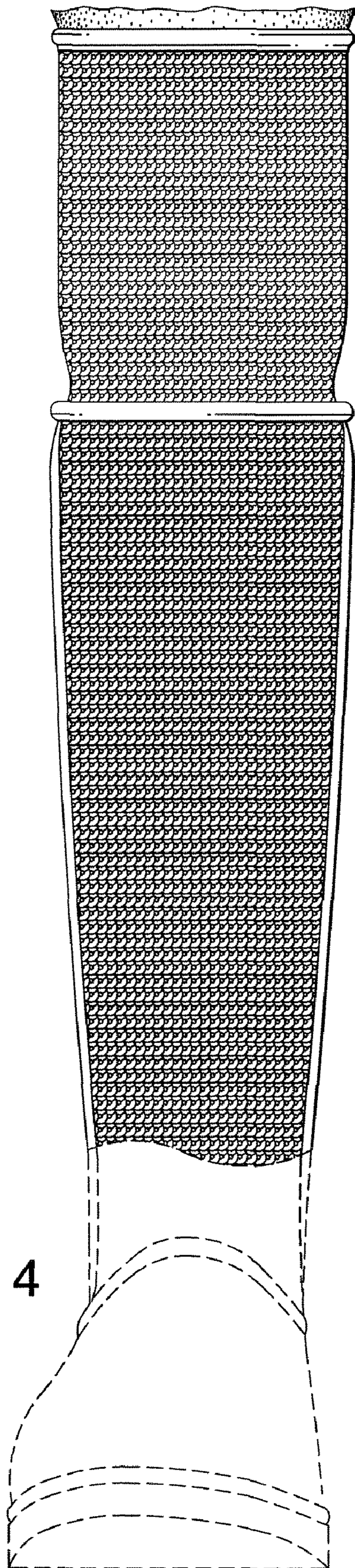


FIG. 4

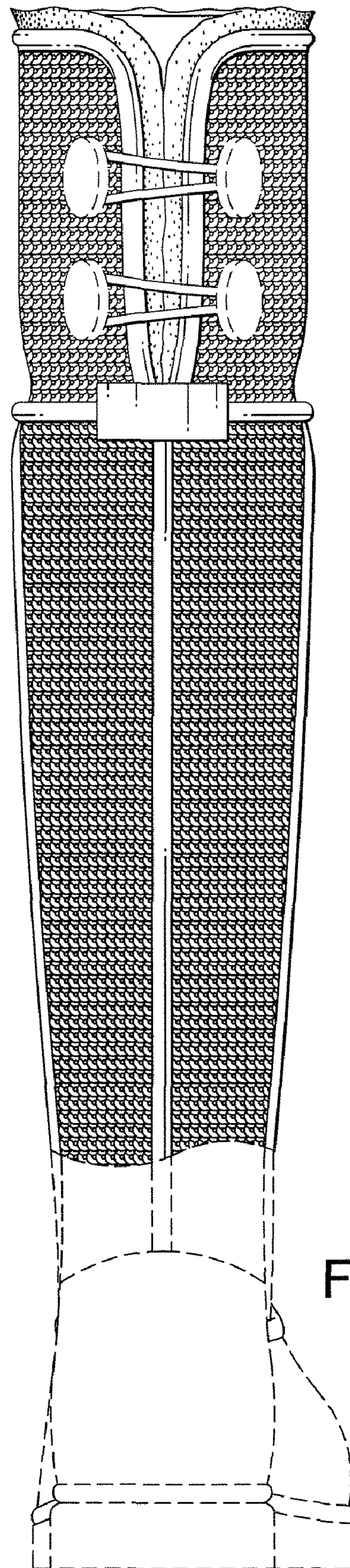


FIG. 5

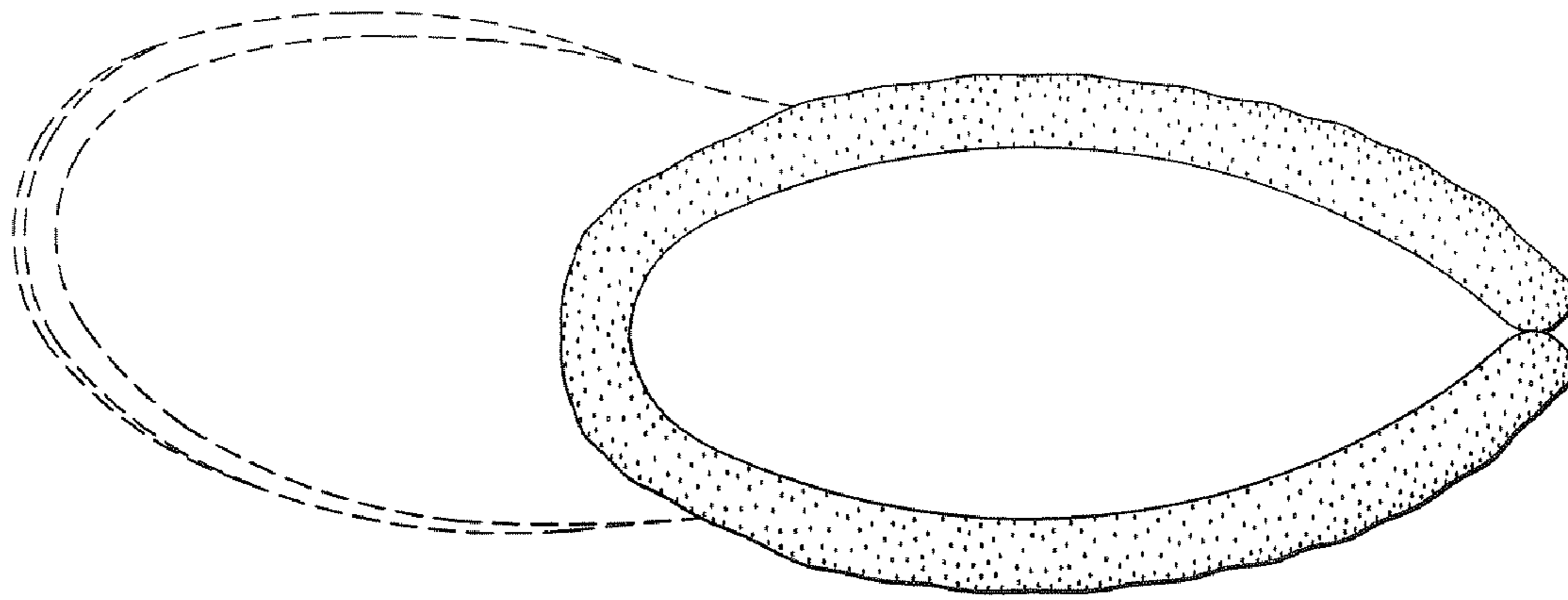


FIG. 6

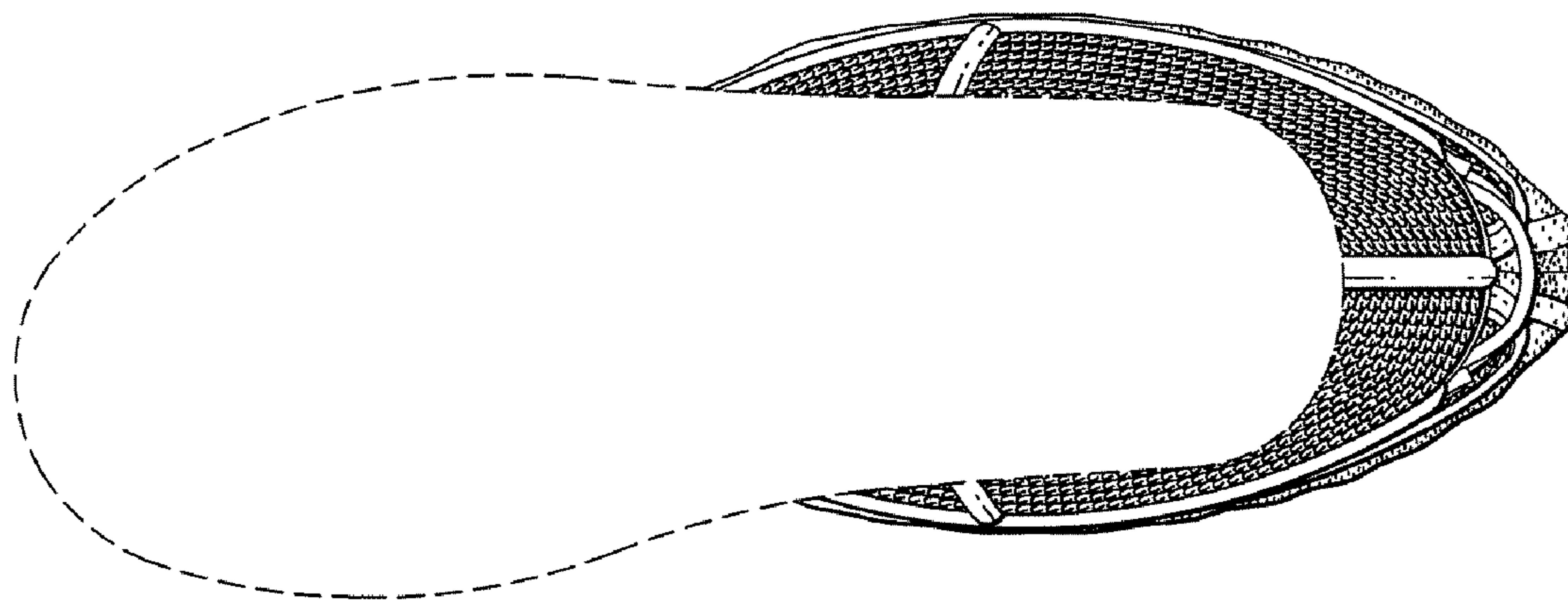


FIG. 7

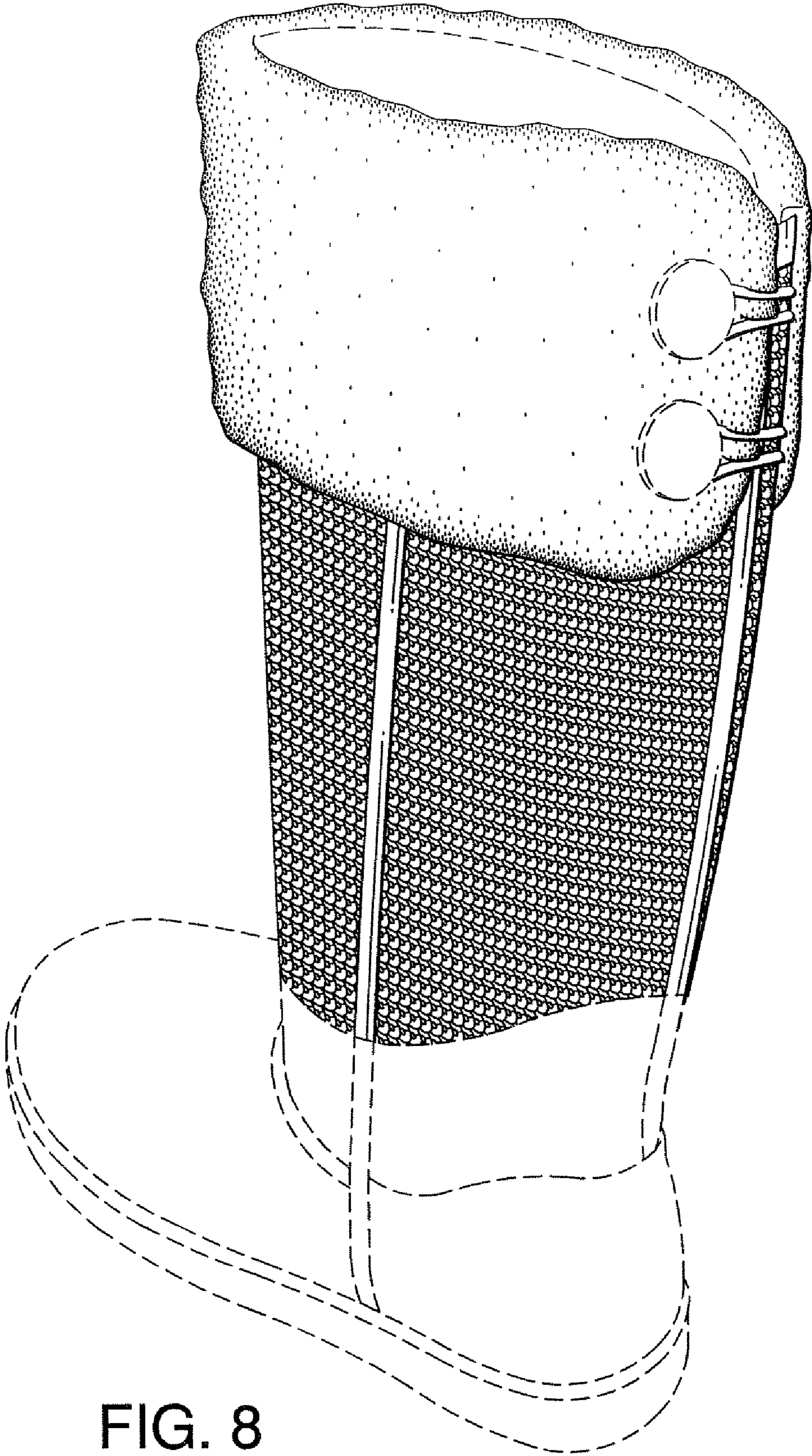


FIG. 8

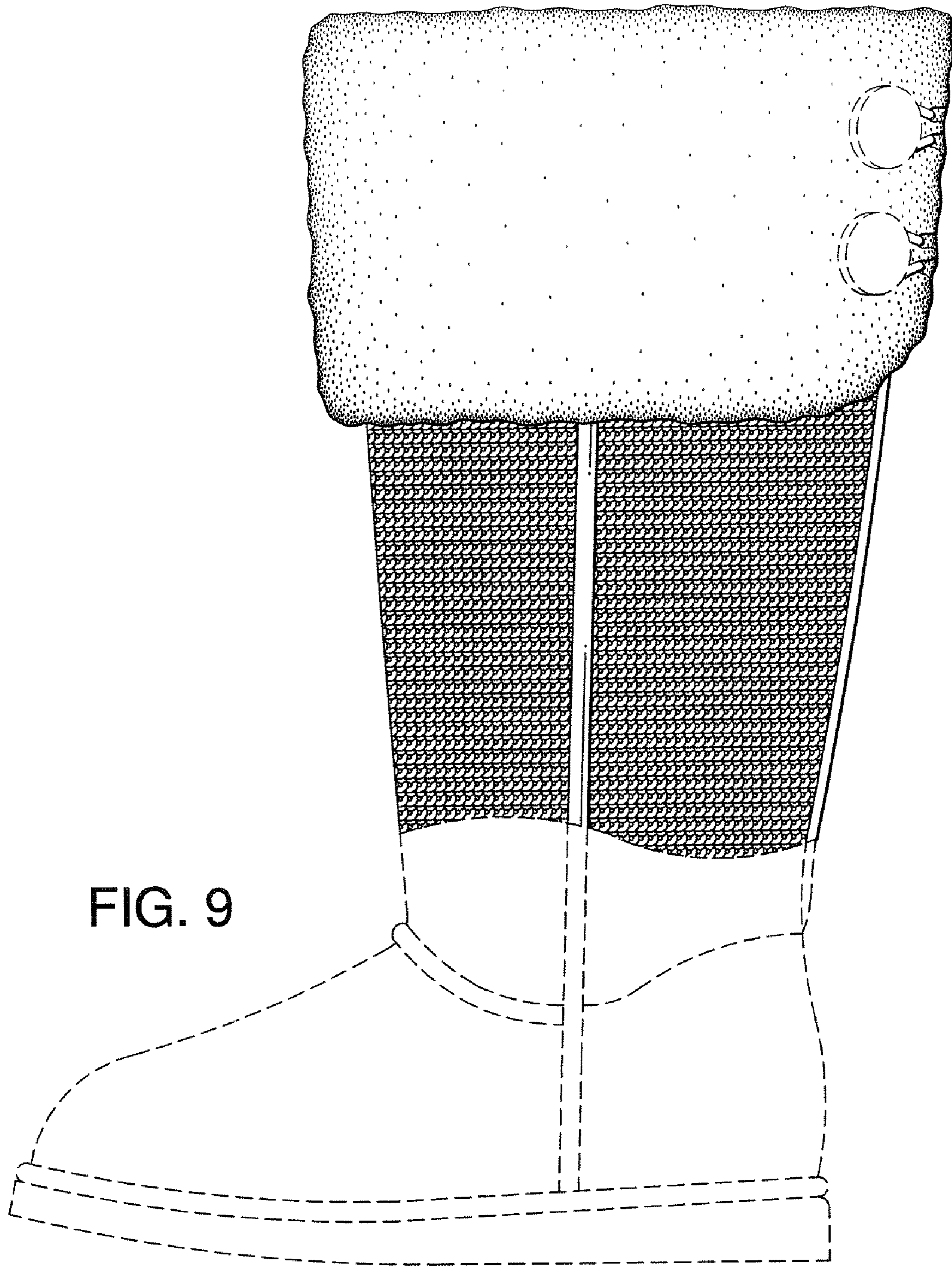


FIG. 9

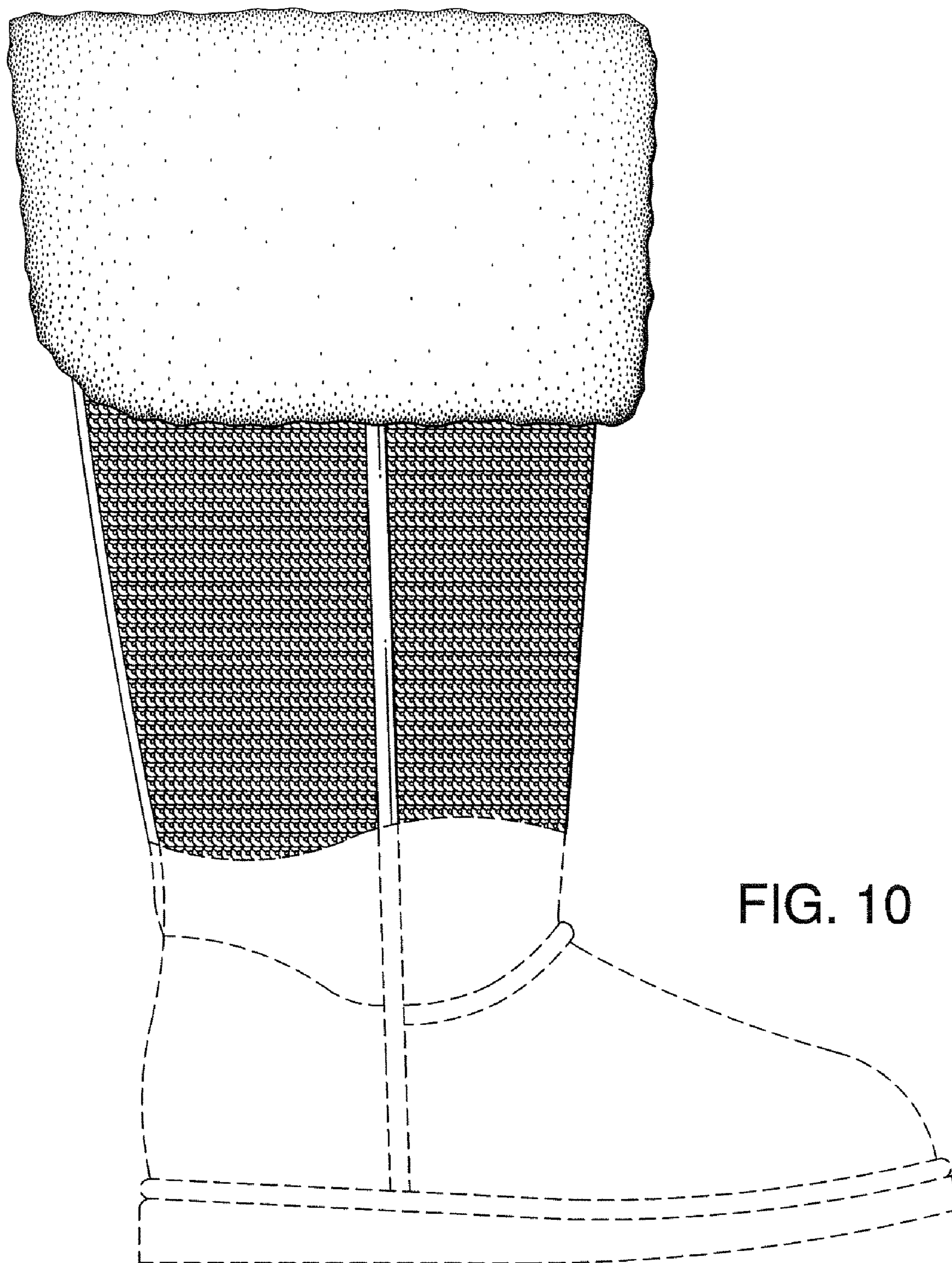


FIG. 10

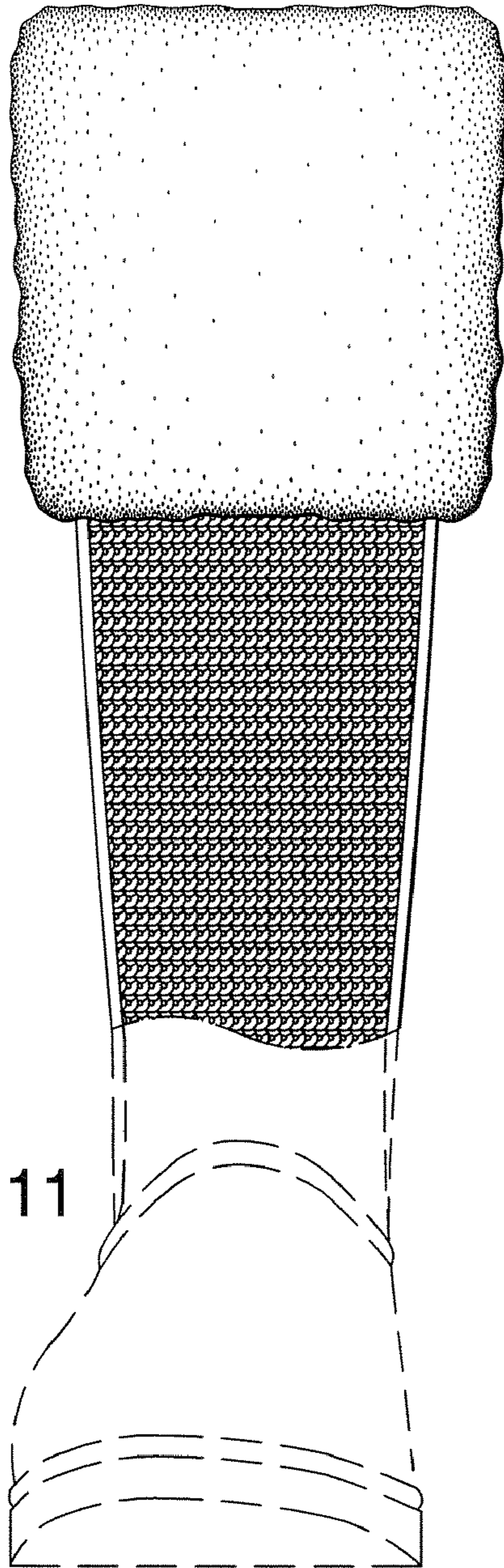


FIG. 11

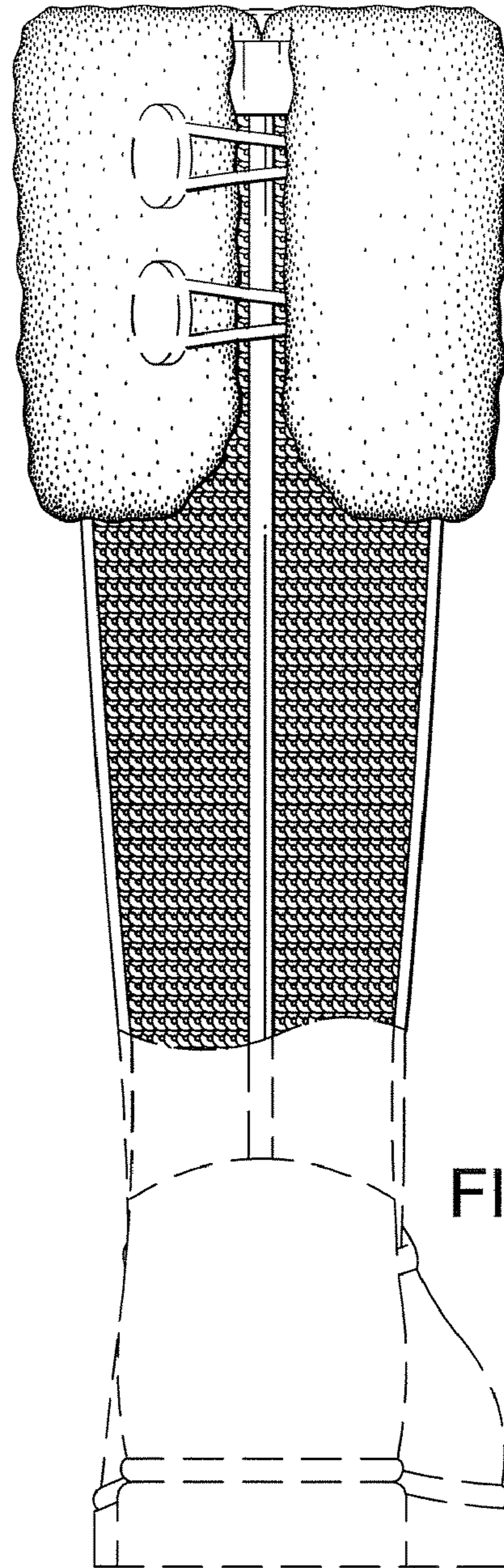


FIG. 12

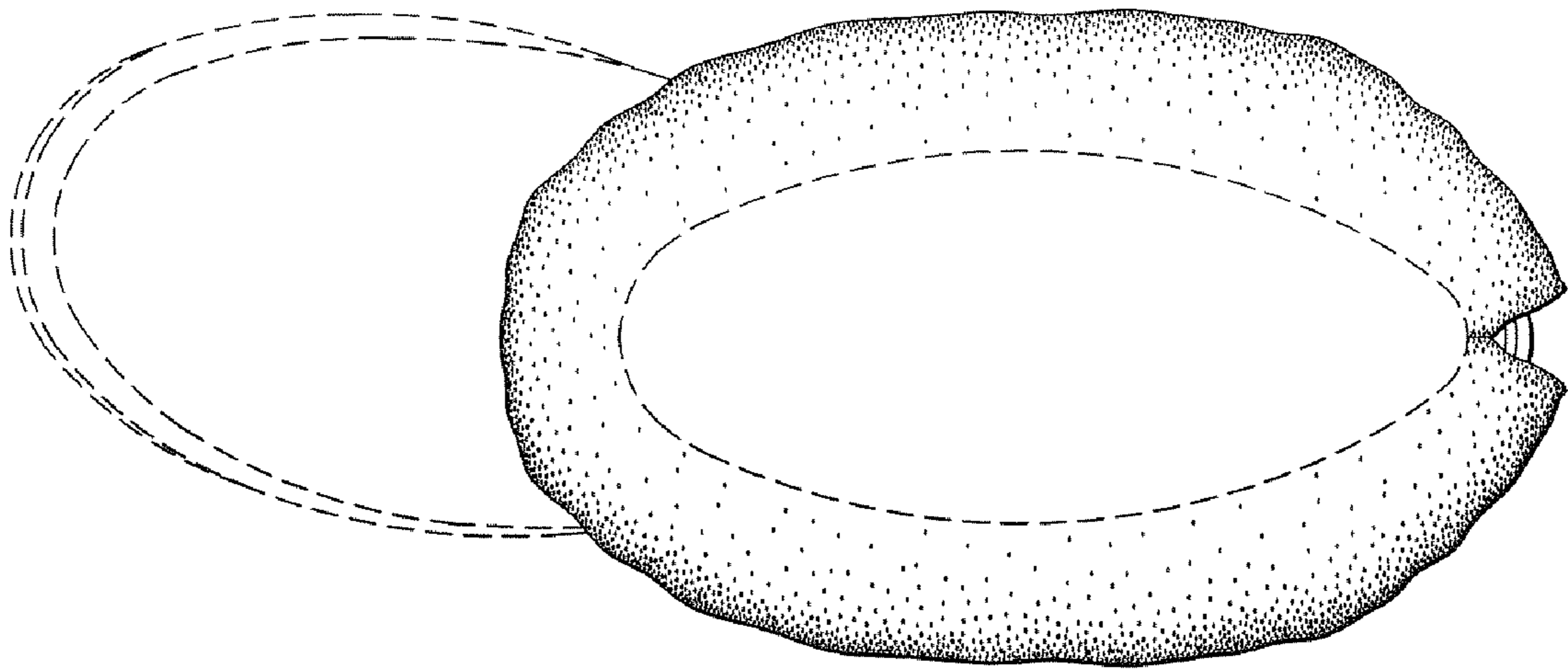


FIG. 13

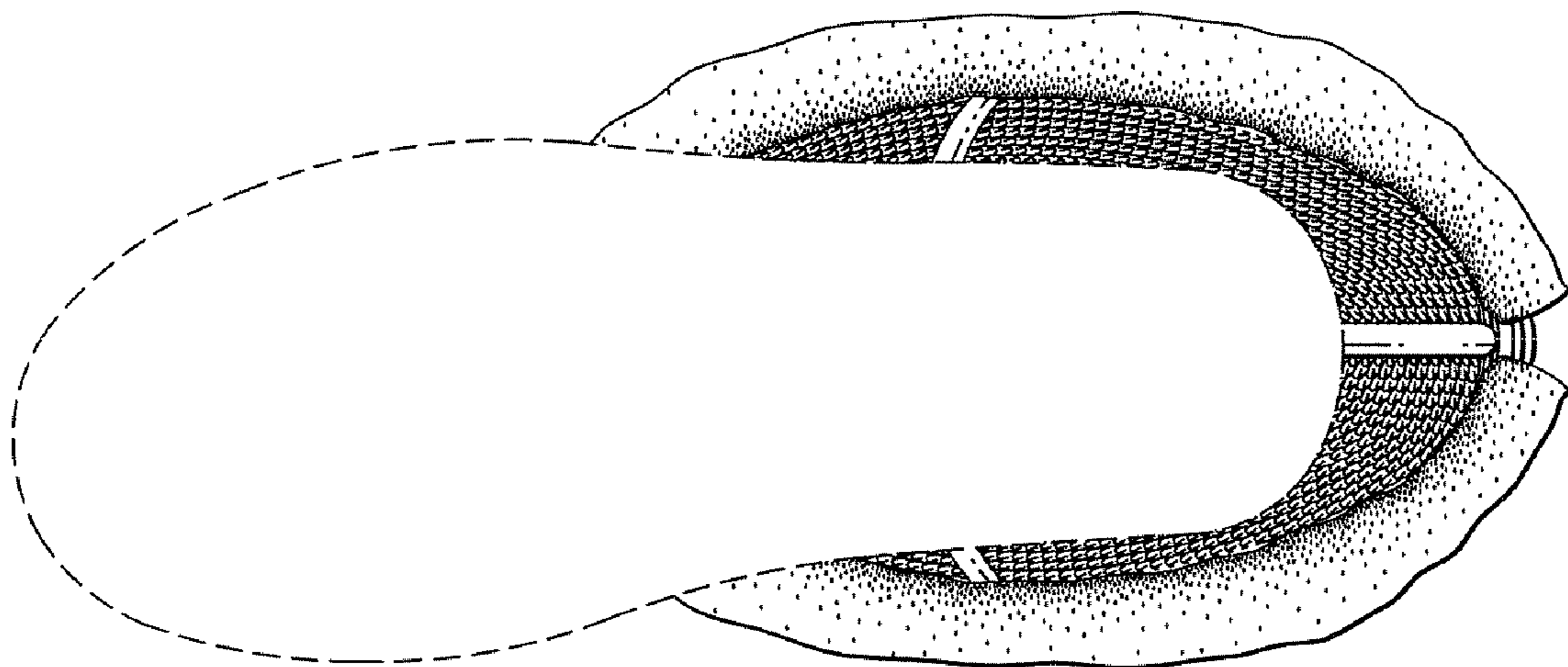


FIG. 14