

US00D645635S

(12) **United States Design Patent**
Moore et al.

(10) **Patent No.:** **US D645,635 S**

(45) **Date of Patent:** **** Sep. 20, 2011**

(54) **PALLET**

(76) Inventors: **Steve Moore**, Grimsby (GB); **Michael Taylor**, Broseley (GB)

(**) Term: **14 Years**

(21) Appl. No.: **29/366,682**

(22) Filed: **Jul. 28, 2010**

(30) **Foreign Application Priority Data**

Apr. 28, 2010 (EM) 001701400-0002

(51) **LOC (9) Cl.** **09-08**

(52) **U.S. Cl.** **D34/38**

(58) **Field of Classification Search** D34/38;
108/901, 902, 51.11, 53.3, 55.3, 57.1, 54.1,
108/56.1

See application file for complete search history.

(56) **References Cited**

U.S. PATENT DOCUMENTS

1,698,038	A *	1/1929	Warshaw et al.	108/57.24
2,463,588	A *	3/1949	Arthur	108/52.1
2,530,752	A *	11/1950	Arthur	108/53.1
2,720,323	A *	10/1955	Hoiles	414/788.9
3,227,108	A *	1/1966	Greaves	108/53.3
3,701,326	A *	10/1972	Herman	108/53.3
3,756,167	A *	9/1973	Wilson	108/57.14
D231,091	S *	4/1974	Wilson	D34/38

3,981,249	A *	9/1976	Herrmann et al.	108/52.1
4,485,744	A *	12/1984	Umemura et al.	108/57.18
D289,939	S *	5/1987	Dash	D34/38
D291,935	S *	9/1987	Nordstrom	D34/38
D335,743	S *	5/1993	Nordstrom	D34/38
5,440,998	A *	8/1995	Morgan et al.	108/57.18
5,809,907	A *	9/1998	Bumgarner	108/51.11
D419,744	S *	1/2000	Carter	D34/38
D433,782	S *	11/2000	Carter	D34/38
D455,244	S *	4/2002	Lastrup	D34/38
6,938,558	B1 *	9/2005	Peres	108/56.3
2008/0223262	A1 *	9/2008	Chew et al.	108/53.3

* cited by examiner

Primary Examiner — Cynthia Ramirez

(74) *Attorney, Agent, or Firm* — Meschkow & Gresham, P.L.C.

(57) **CLAIM**

The ornamental design for a pallet, as shown and described.

DESCRIPTION

FIG. 1 is a top isometric view of a pallet showing our new design;

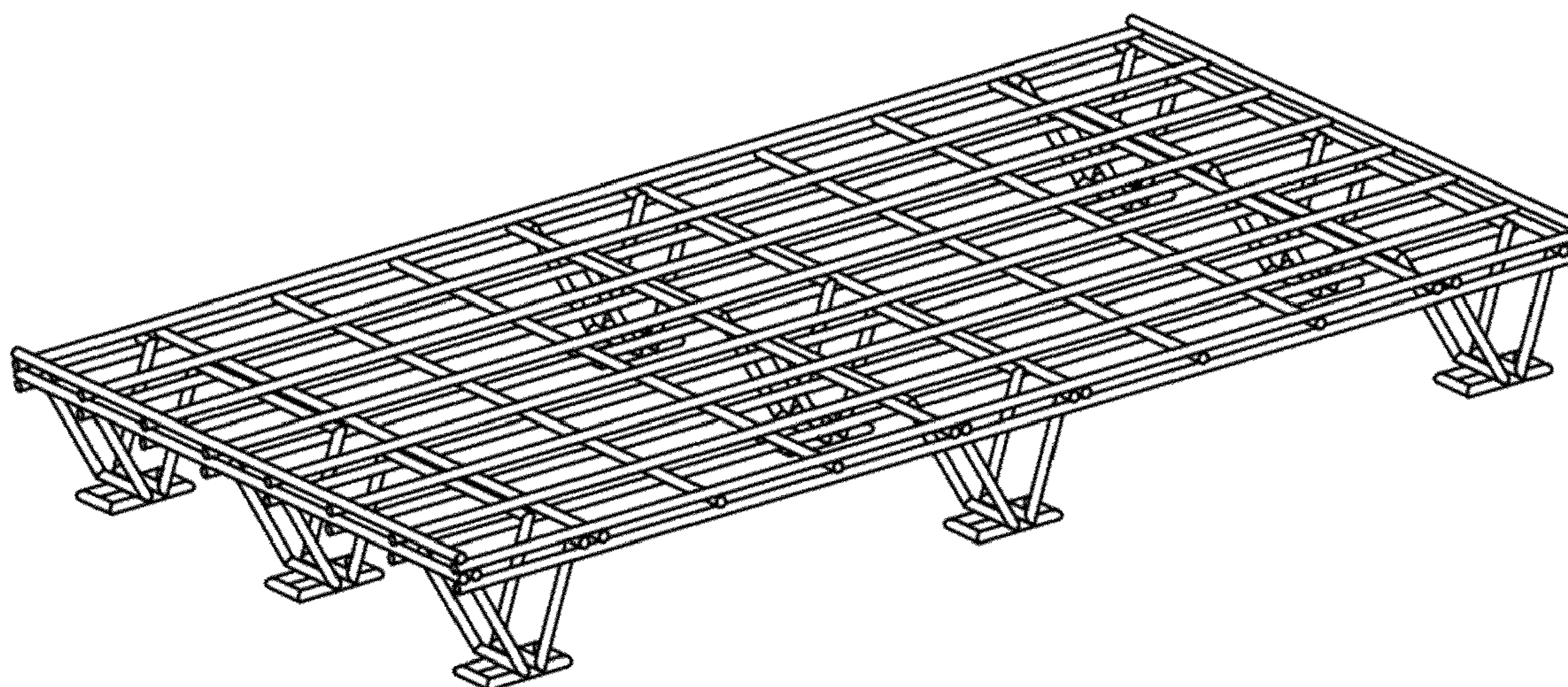
FIG. 2 is a left side view of the design shown in FIG. 1, and due to symmetry also a right side view of the design;

FIG. 3 is a top view of the design shown in FIG. 1;

FIG. 4 is a bottom view of the design shown in FIG. 1; and,

FIG. 5 is a front view of the design shown in FIG. 1, and due to symmetry also a back view of the design.

1 Claim, 4 Drawing Sheets



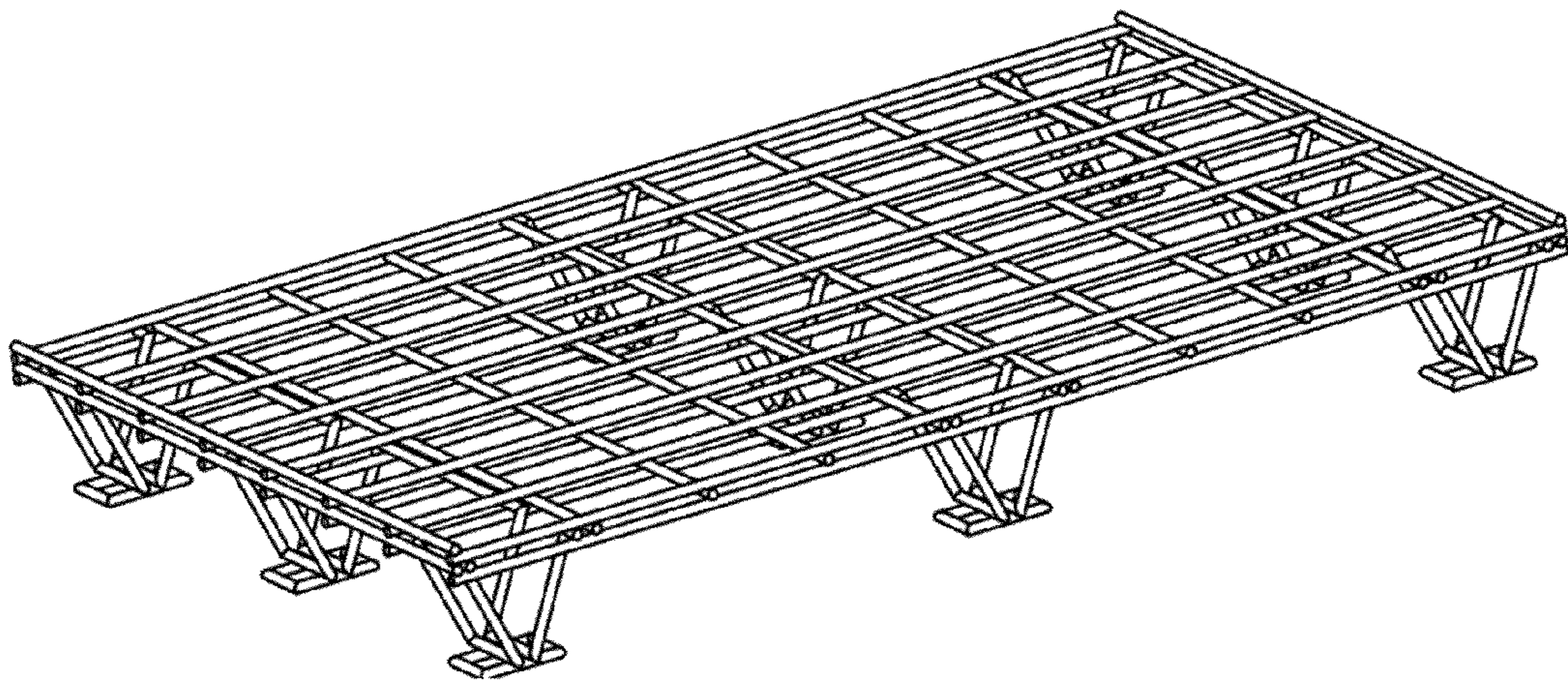


FIG. 1

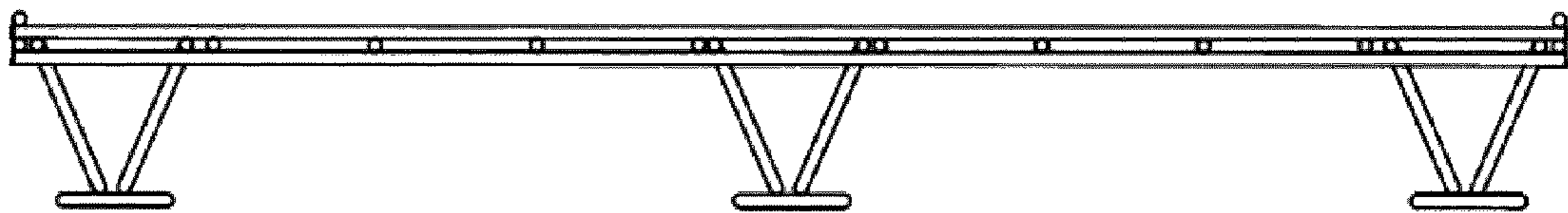


FIG. 2

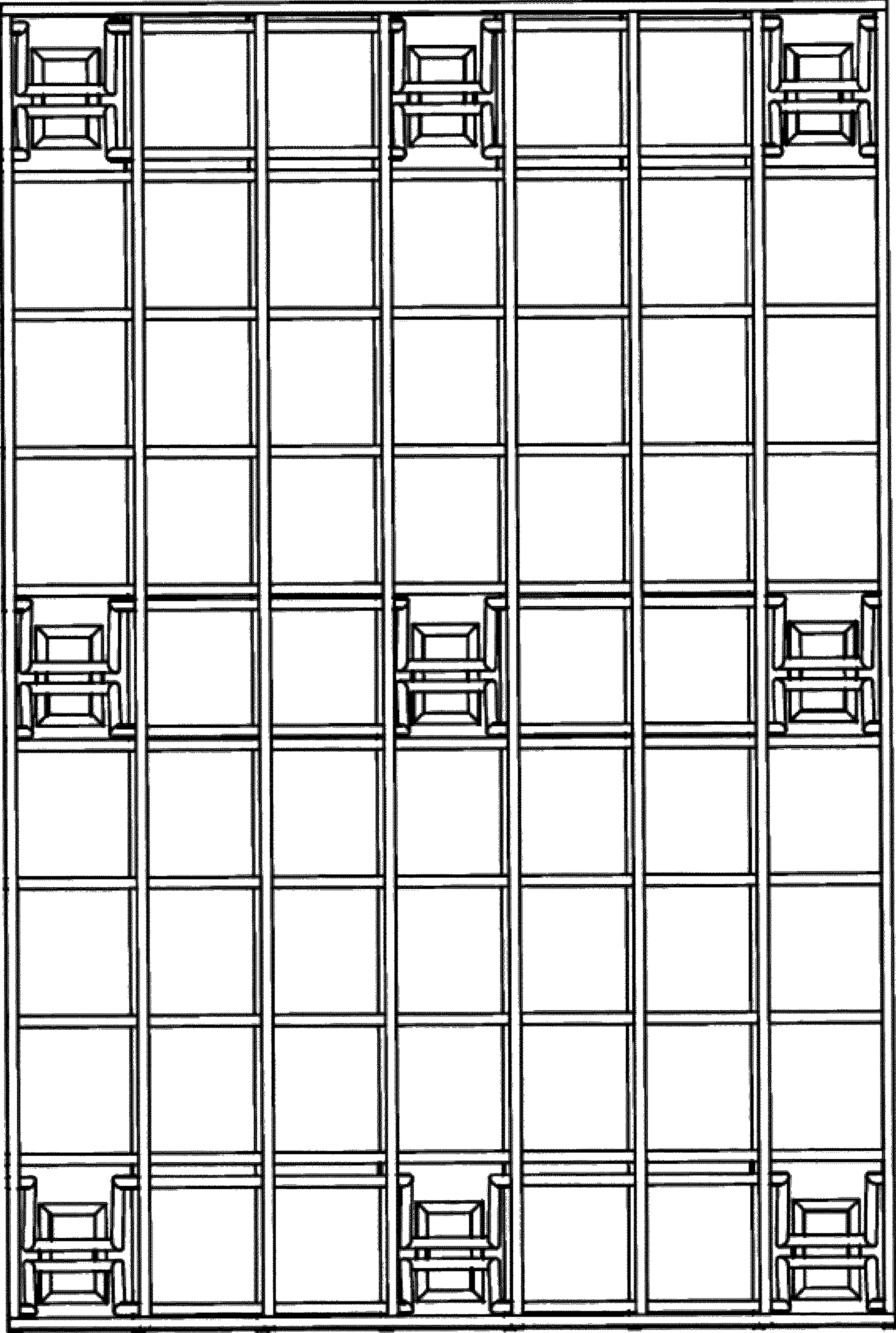


FIG. 3

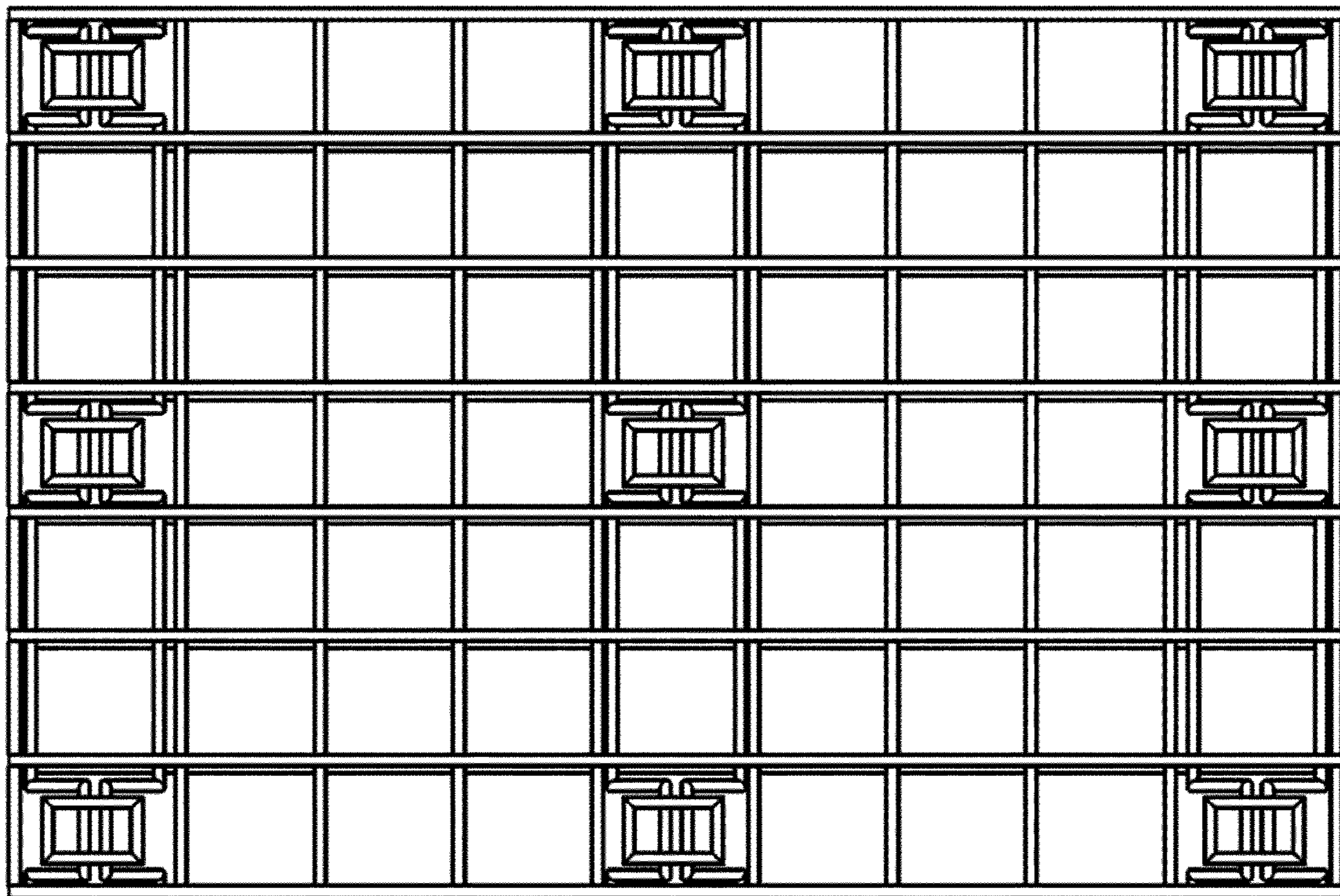


FIG. 4

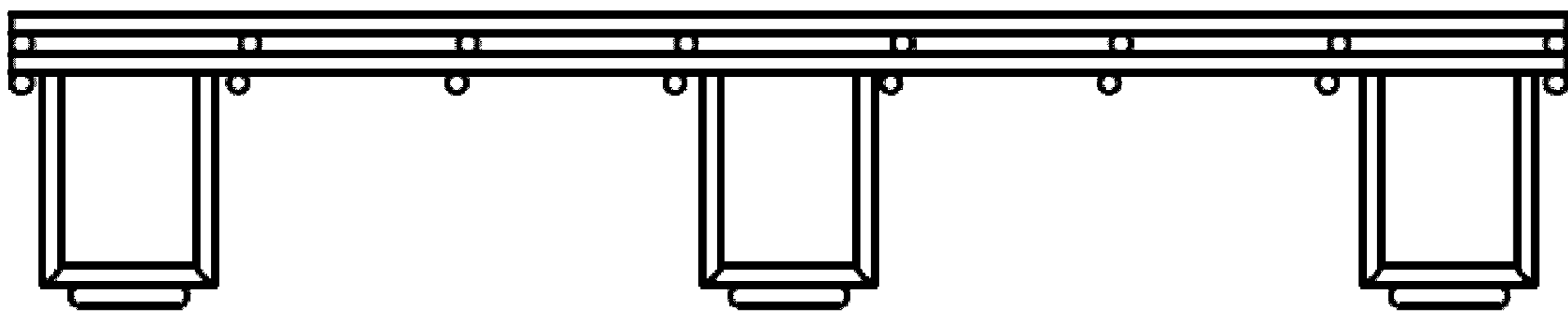


FIG. 5