



US00D645633S

(12) **United States Design Patent**
Hancock et al.

(10) **Patent No.:** **US D645,633 S**

(45) **Date of Patent:** **** Sep. 20, 2011**

(54) **ARTICLE HOLDER**

(76) Inventors: **Jeffrey D. Hancock**, Uintah, UT (US);
Christopher N. Schenck, Uintah, UT (US)

(**) Term: **14 Years**

(21) Appl. No.: **29/372,099**

(22) Filed: **Oct. 15, 2010**

(51) **LOC (9) Cl.** **12-05**

(52) **U.S. Cl.** **D34/35**

(58) **Field of Classification Search** D34/28,
D34/35; 198/851, 838, 853, 825; 104/93,
104/153, 106, 150; 271/99, 10.04, 10.01,
271/11

See application file for complete search history.

(56) **References Cited**

U.S. PATENT DOCUMENTS

D209,860	S	*	1/1968	Renfroe	D8/394
4,299,381	A	*	11/1981	Smith	271/96
4,570,543	A	*	2/1986	Ishikura et al.	104/300
D291,138	S	*	7/1987	Arneteg	D34/35
D301,179	S	*	5/1989	Miller	D34/29
5,125,637	A	*	6/1992	Glaser	271/11
D344,389	S	*	2/1994	McDonald et al.	D34/35

D373,883	S	*	9/1996	Dillard	D34/29
D459,047	S	*	6/2002	Tanaka	D34/28
6,616,137	B2	*	9/2003	Kaya et al.	271/101
D549,423	S	*	8/2007	Zimmermann	D34/33
7,252,209	B2	*	8/2007	Julius	221/33
D586,074	S	*	2/2009	Auf der Maur	D34/35

* cited by examiner

Primary Examiner — Cynthia Ramirez

(57) **CLAIM**

The ornamental design for an article holder, as shown and described.

DESCRIPTION

FIG. 1 is a perspective view taken from one corner of an article holder;

FIG. 2, a perspective view taken from the center bottom;

FIG. 3, a front elevation view, the rear elevation being a mirror image thereof;

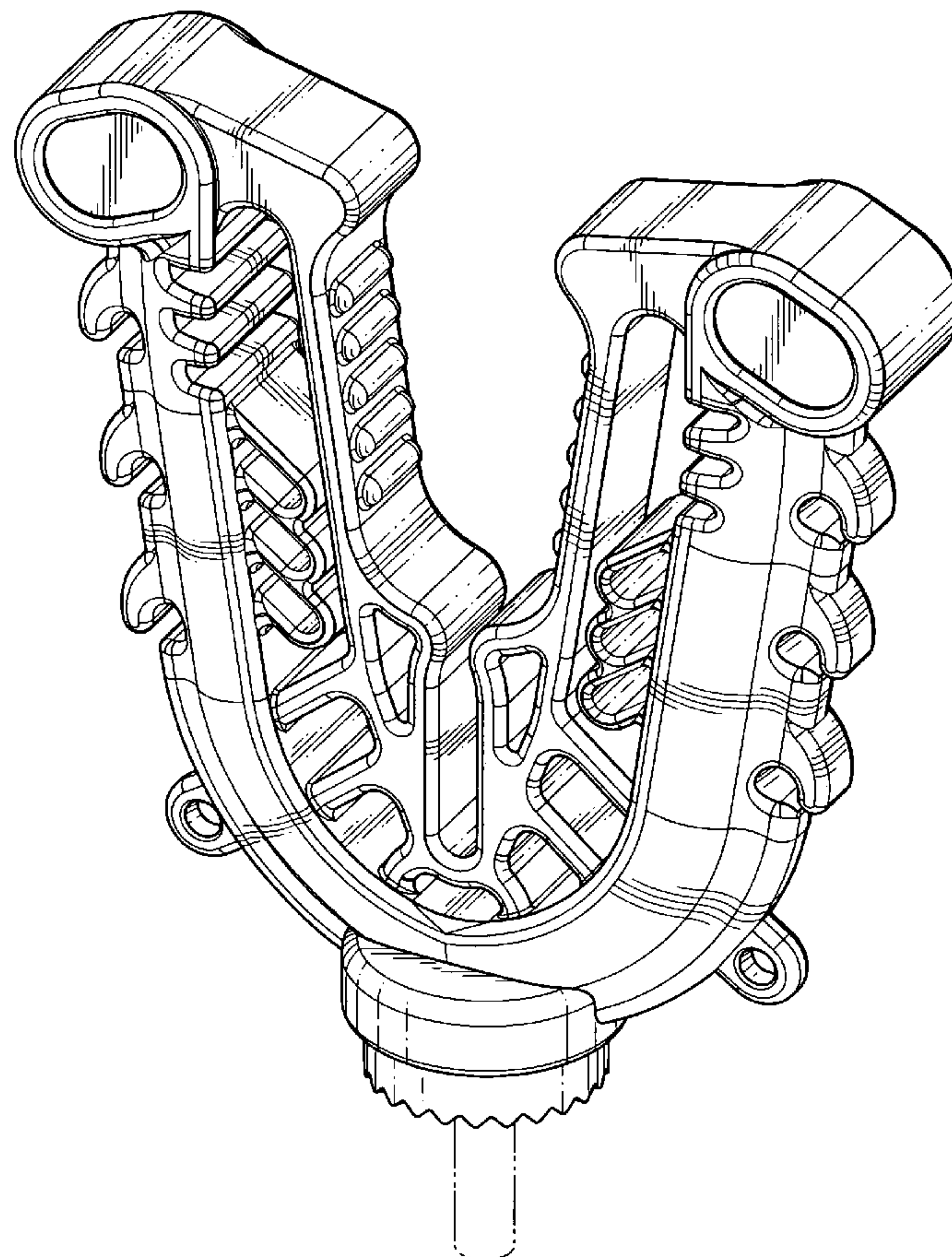
FIG. 4, a left side elevation view of the right side elevation view being a mirror image thereof;

FIG. 5, a top plan view; and,

FIG. 6, a bottom plan view.

The broken line showing in FIGS. 1-4 and 6 is included for the purpose of illustrating environment and forms no part of the claimed design.

1 Claim, 3 Drawing Sheets



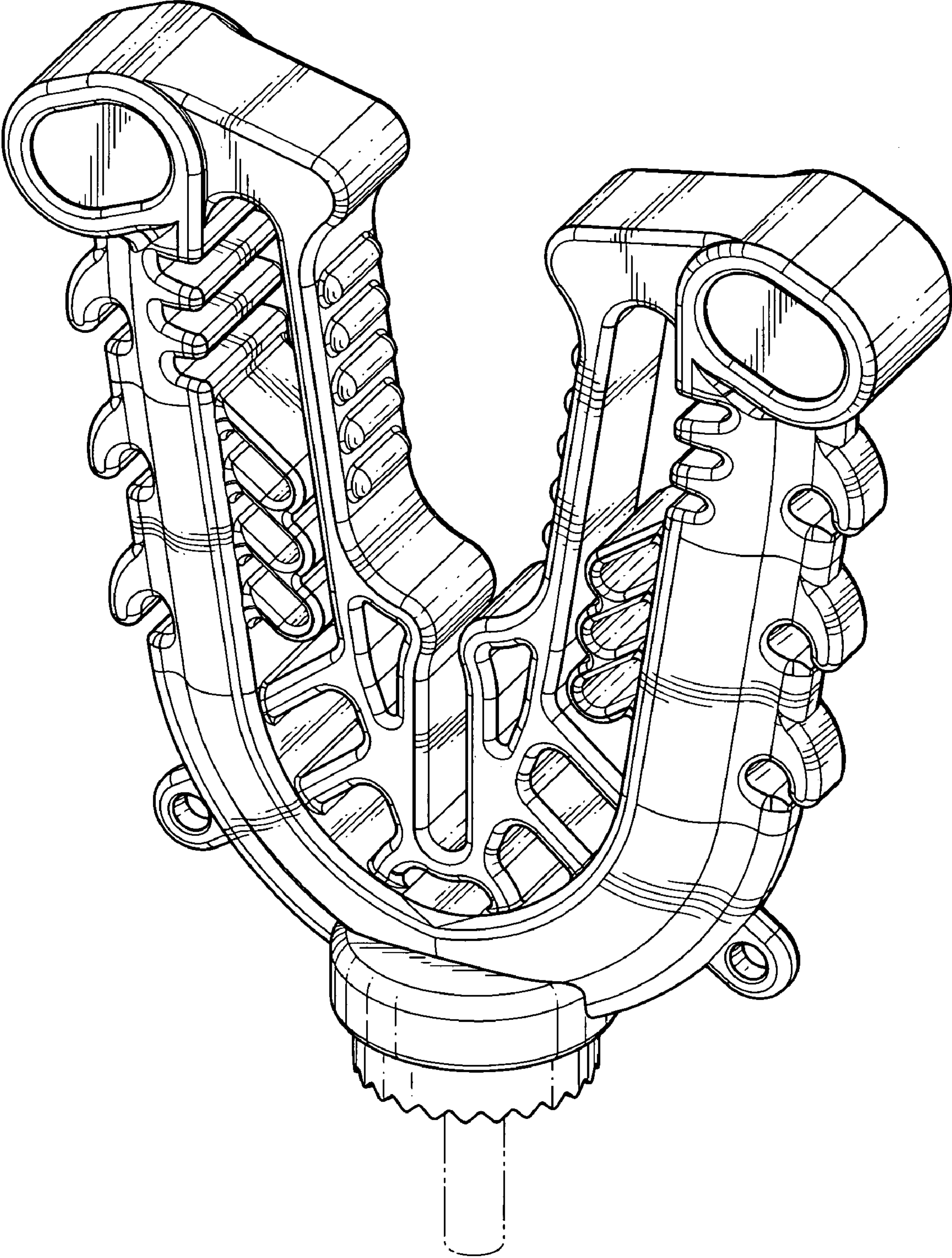


FIG. 1

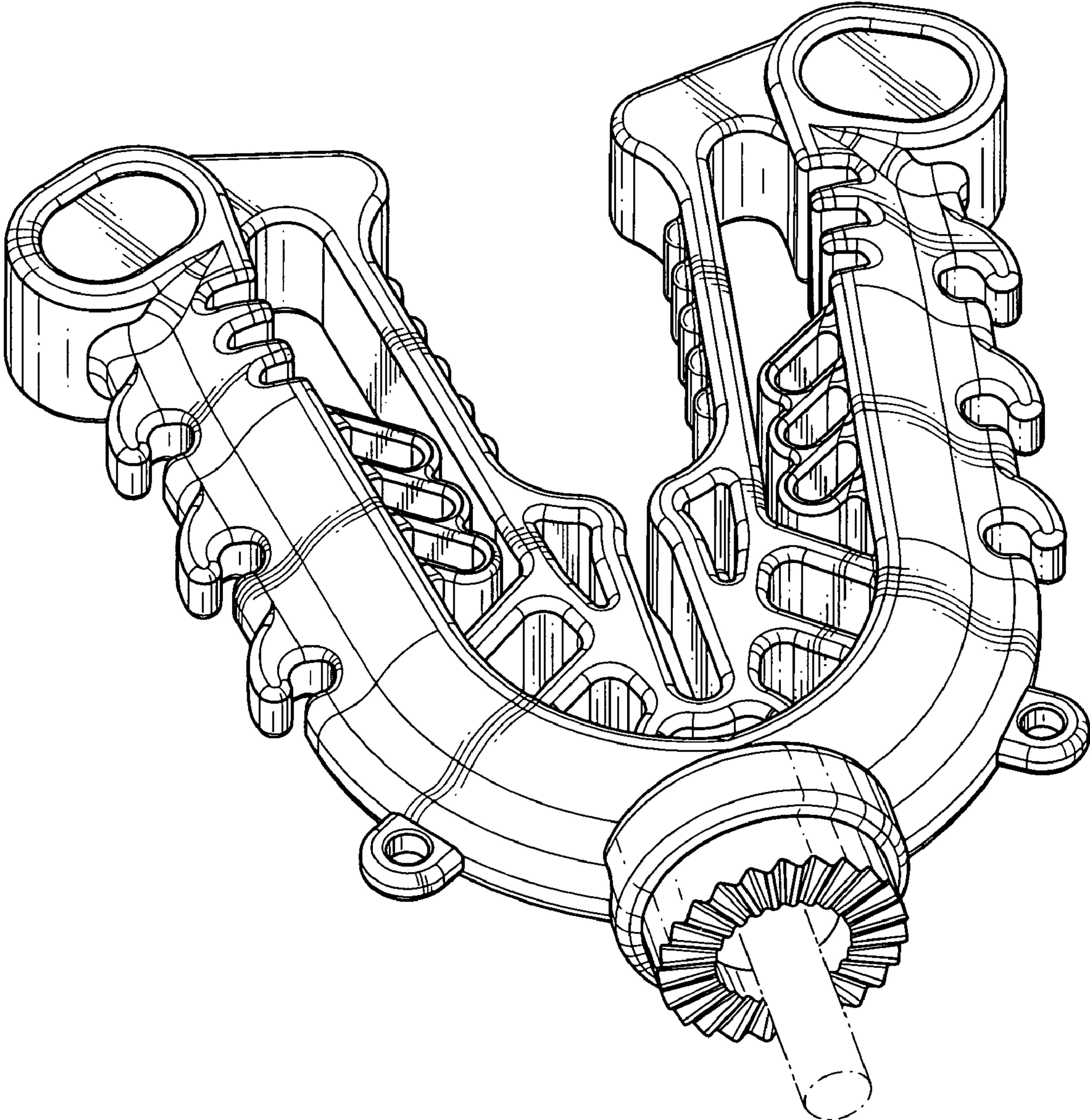


FIG. 2

FIG. 5

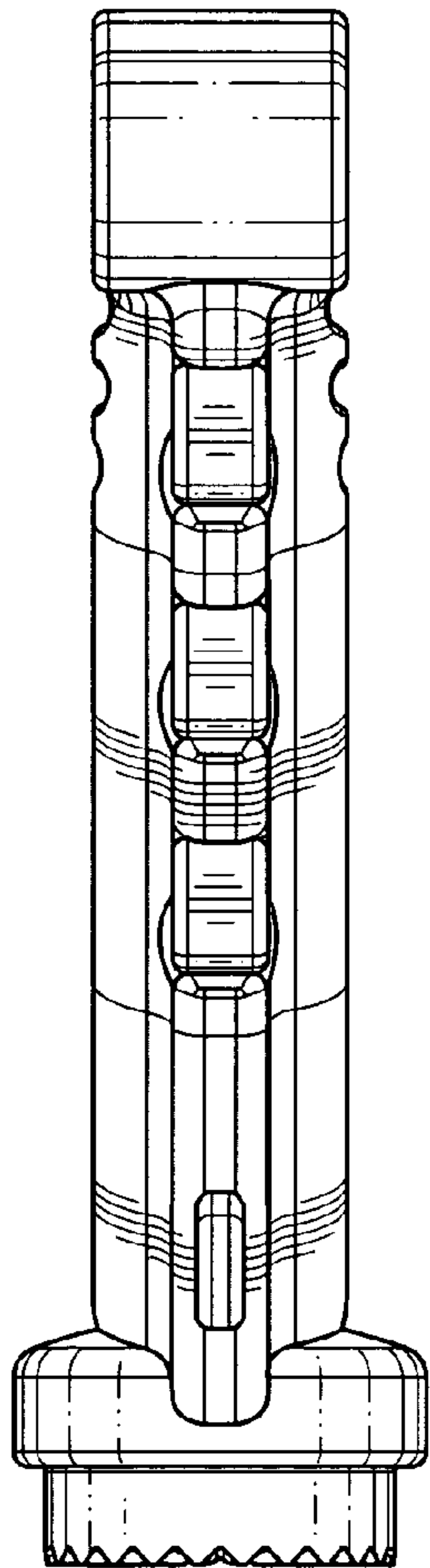
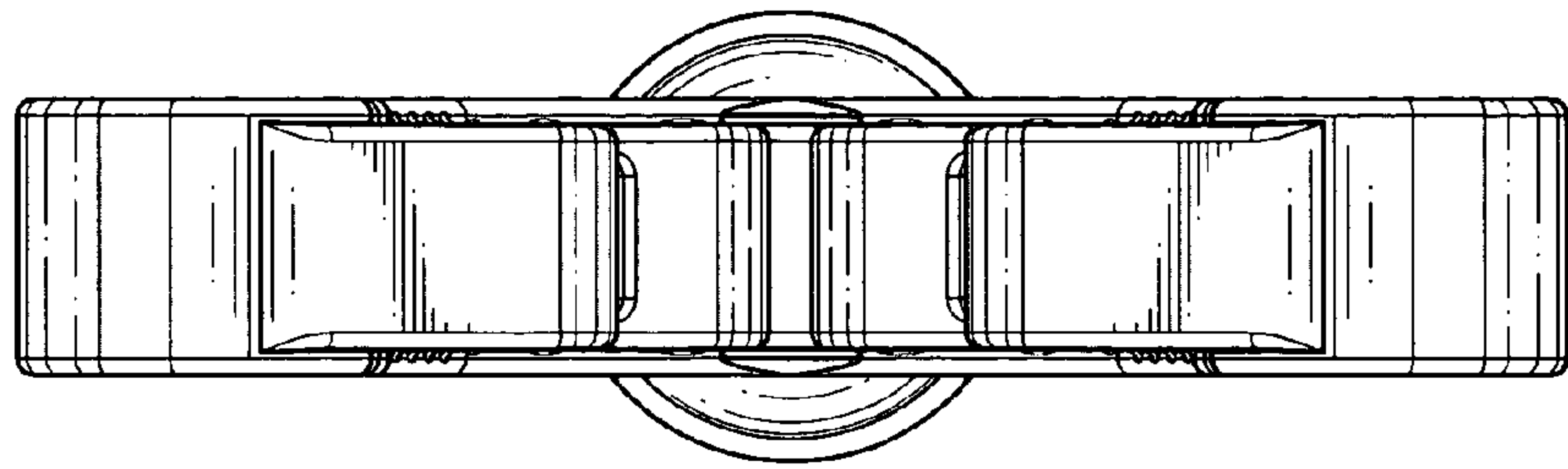


FIG. 4

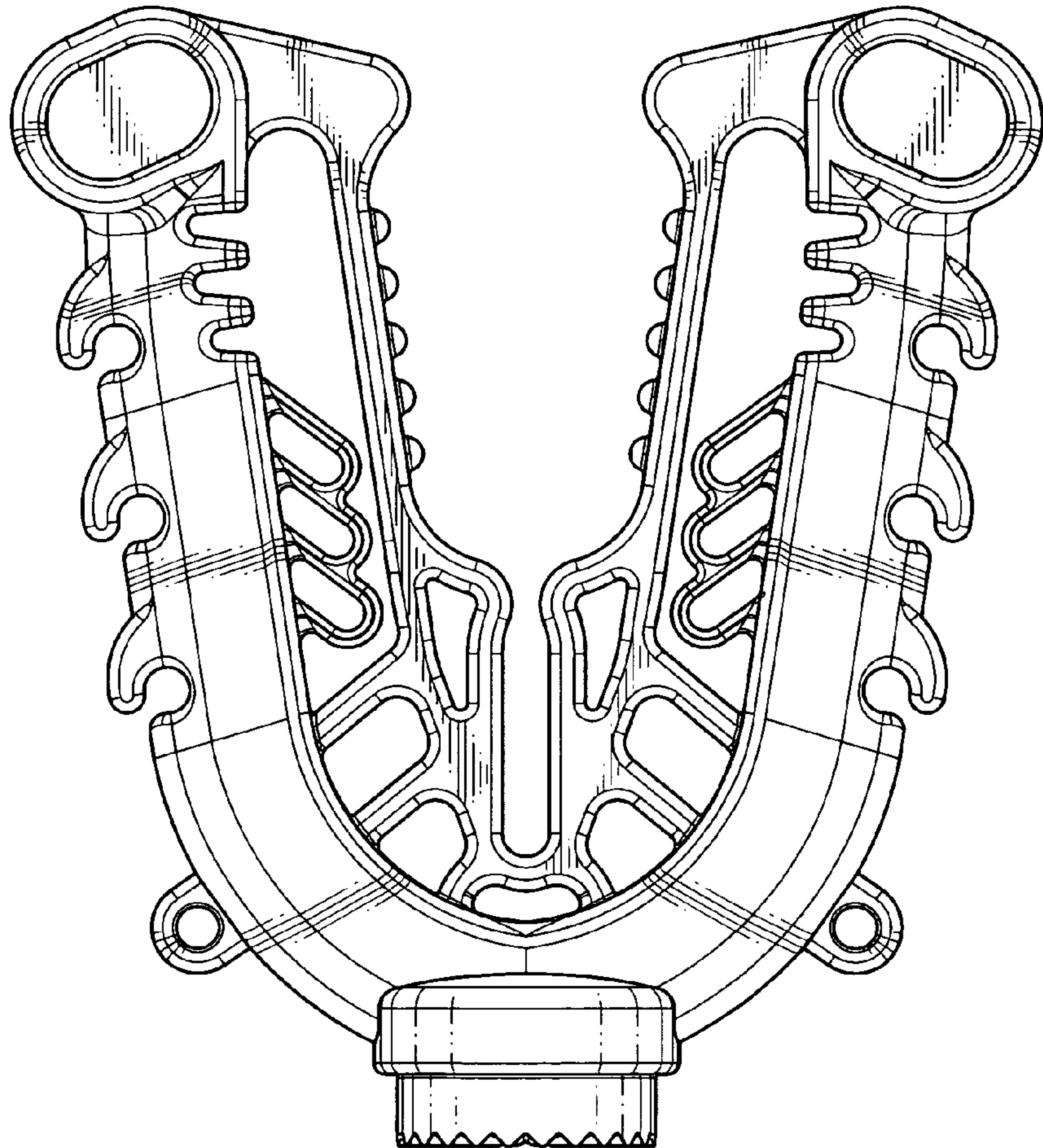


FIG. 3

FIG. 6

