



US00D645629S

(12) **United States Design Patent**
Powell

(10) **Patent No.:** **US D645,629 S**

(45) **Date of Patent:** **** Sep. 20, 2011**

(54) **STEAM IRON**

(75) Inventor: **Dick Powell**, London (GB)

(73) Assignee: **Calor**, Lyons (FR)

(**) Term: **14 Years**

(21) Appl. No.: **29/383,100**

(22) Filed: **Jan. 12, 2011**

(30) **Foreign Application Priority Data**

Jul. 12, 2010 (EM) 001224422-0001

(51) **LOC (9) Cl.** **07-05**

(52) **U.S. Cl.** **D32/70**

(58) **Field of Classification Search** D32/73,
D32/72, 71, 70, 69, 68, 35; 392/404; 38/97,
38/96, 93, 88, 77.9, 77.83, 77.82, 77.81,
38/77.8, 77.7, 77.6, 77.5, 77.3, 77.1; 219/251,
219/245

See application file for complete search history.

(56) **References Cited**

U.S. PATENT DOCUMENTS

D427,403	S	*	6/2000	Gudefin	D32/70
D541,502	S	*	4/2007	Powell	D32/70
D552,818	S		10/2007	Powell		
D552,820	S		10/2007	Powell		
D555,315	S	*	11/2007	Poon	D32/70
D567,462	S	*	4/2008	Renault et al.	D32/70
D582,620	S	*	12/2008	Brown	D32/70
D629,989	S	*	12/2010	Hollerich et al.	D32/70
D632,862	S	*	2/2011	Massip et al.	D32/70

D634,090	S	*	3/2011	Massip et al.	D32/70
D635,316	S	*	3/2011	Massip et al.	D32/70
D635,729	S	*	4/2011	Massip et al.	D32/70
D635,730	S	*	4/2011	Choi et al.	D32/70

OTHER PUBLICATIONS

Design Registration No. 000230628-0003, published Sep. 23, 2004, entitled "Flat-irons" in the name of Calor, 2 pgs.

Design Registration No. 000249982-0001, published Nov. 8, 2004, entitled "Steam irons with steam boilers" in the name of Calor, 2 pgs.

Design Registration No. 000485875-0001, published Feb. 27, 2006, entitled "Steam irons" in the name of Calor, 2 pgs.

Design Registration No. 000937487-0001, published May 20, 2008, entitled "Sad-irons" in the name of Calor, 2 pgs.

* cited by examiner

Primary Examiner — Austin Murphy

(74) *Attorney, Agent, or Firm* — Oblon, Spivak, McClelland, Maier & Neustadt, L.L.P.

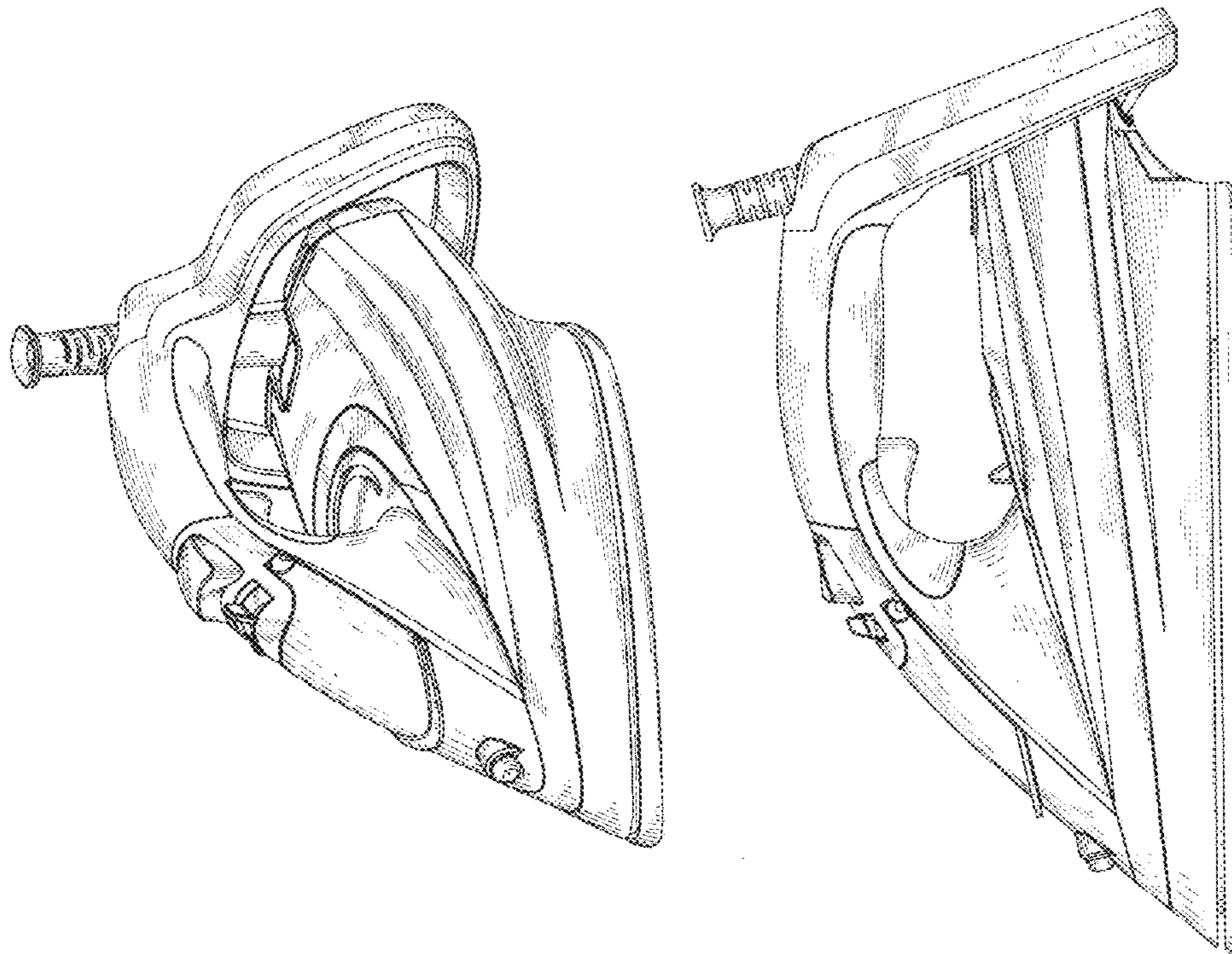
(57) **CLAIM**

The new, original, and ornamental design for a steam iron, as shown and described.

DESCRIPTION

FIG. 1 is a front, top, right perspective view of a steam iron; FIG. 2 is a left side elevational view thereof; FIG. 3 is a right side elevational view thereof; FIG. 4 is a front elevational view thereof; FIG. 5 is a rear elevational view thereof; FIG. 6 is a top plan view thereof; and, FIG. 7 is a bottom plan view thereof.

1 Claim, 7 Drawing Sheets



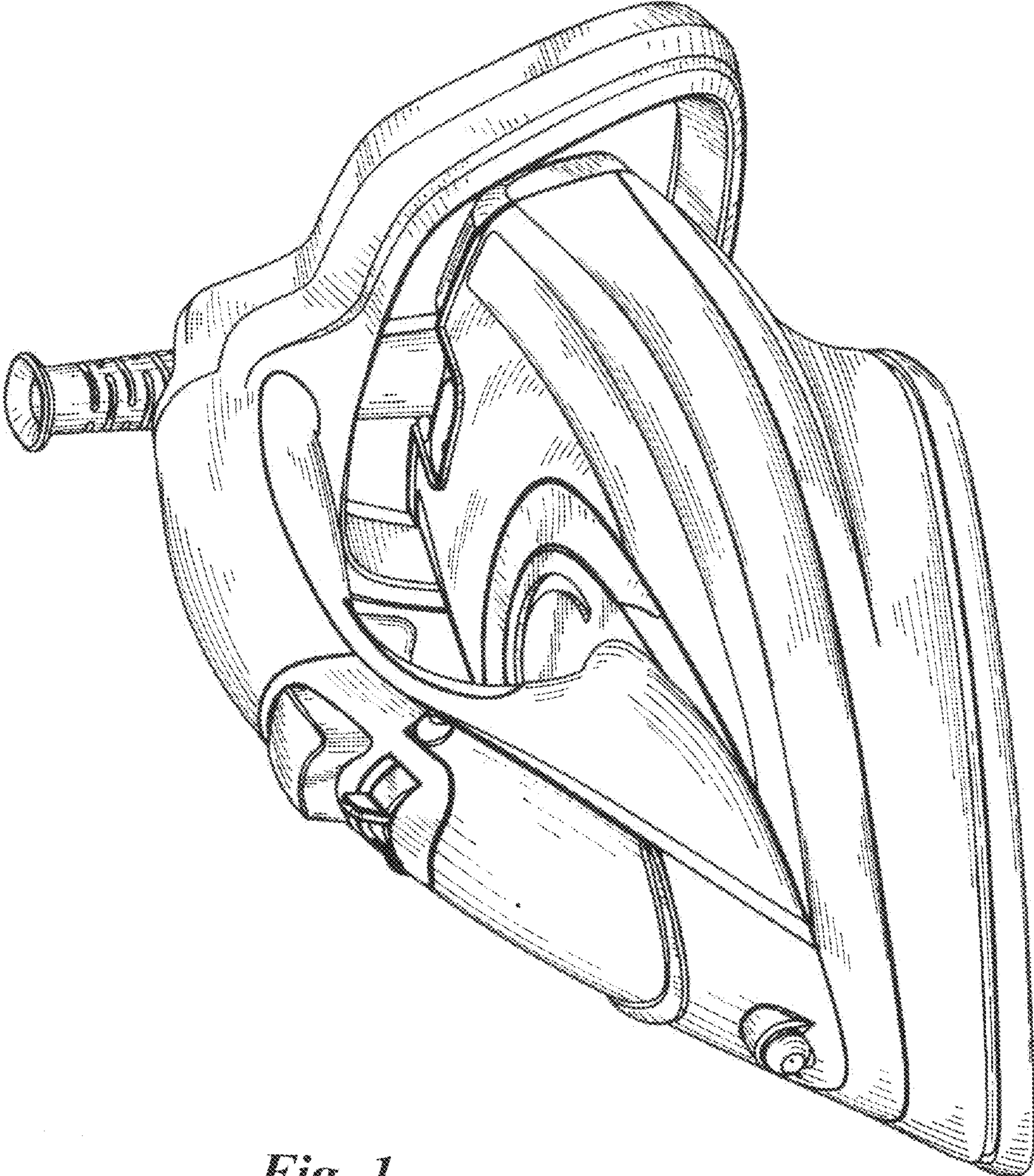


Fig. 1



Fig. 2

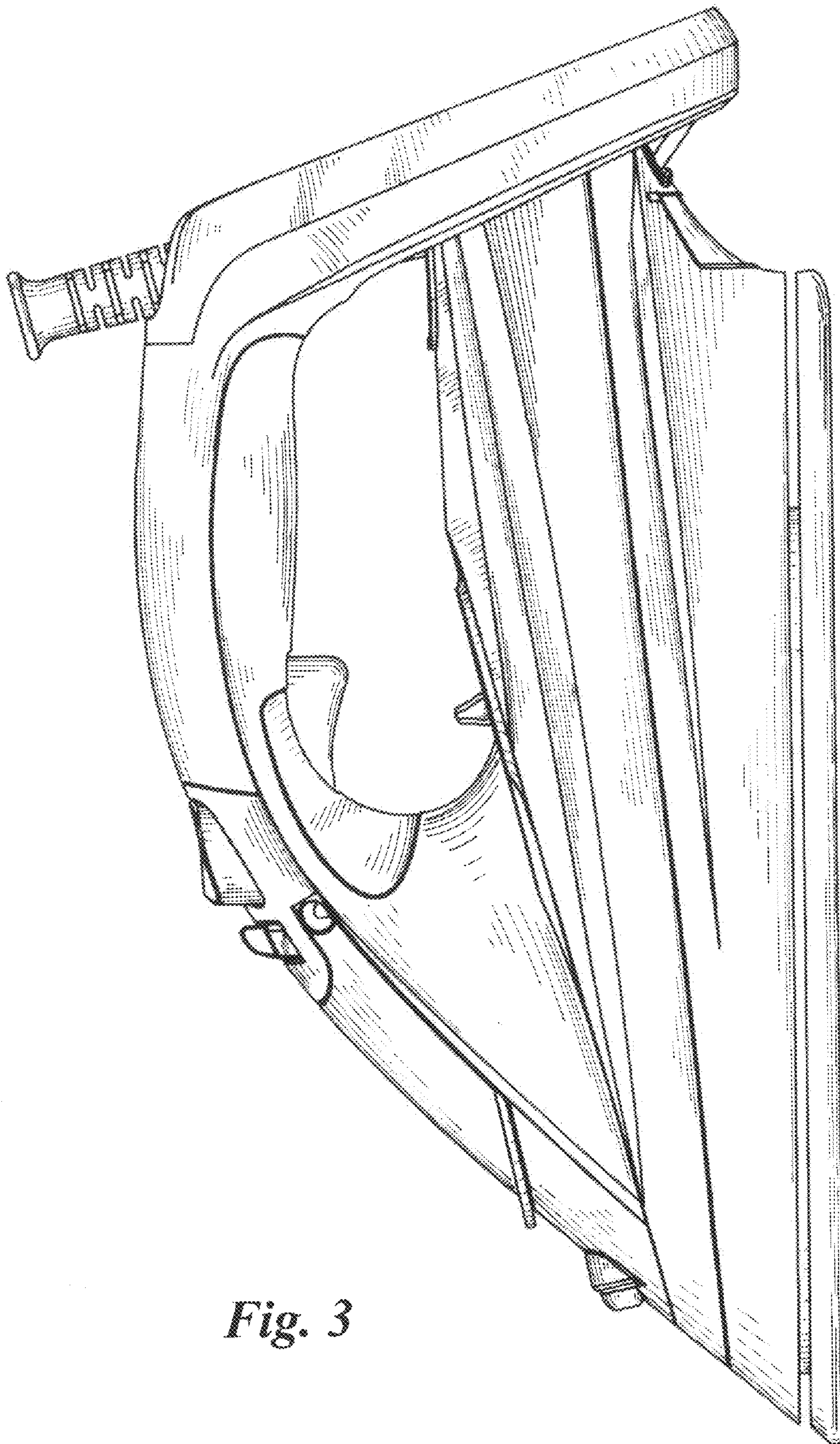


Fig. 3

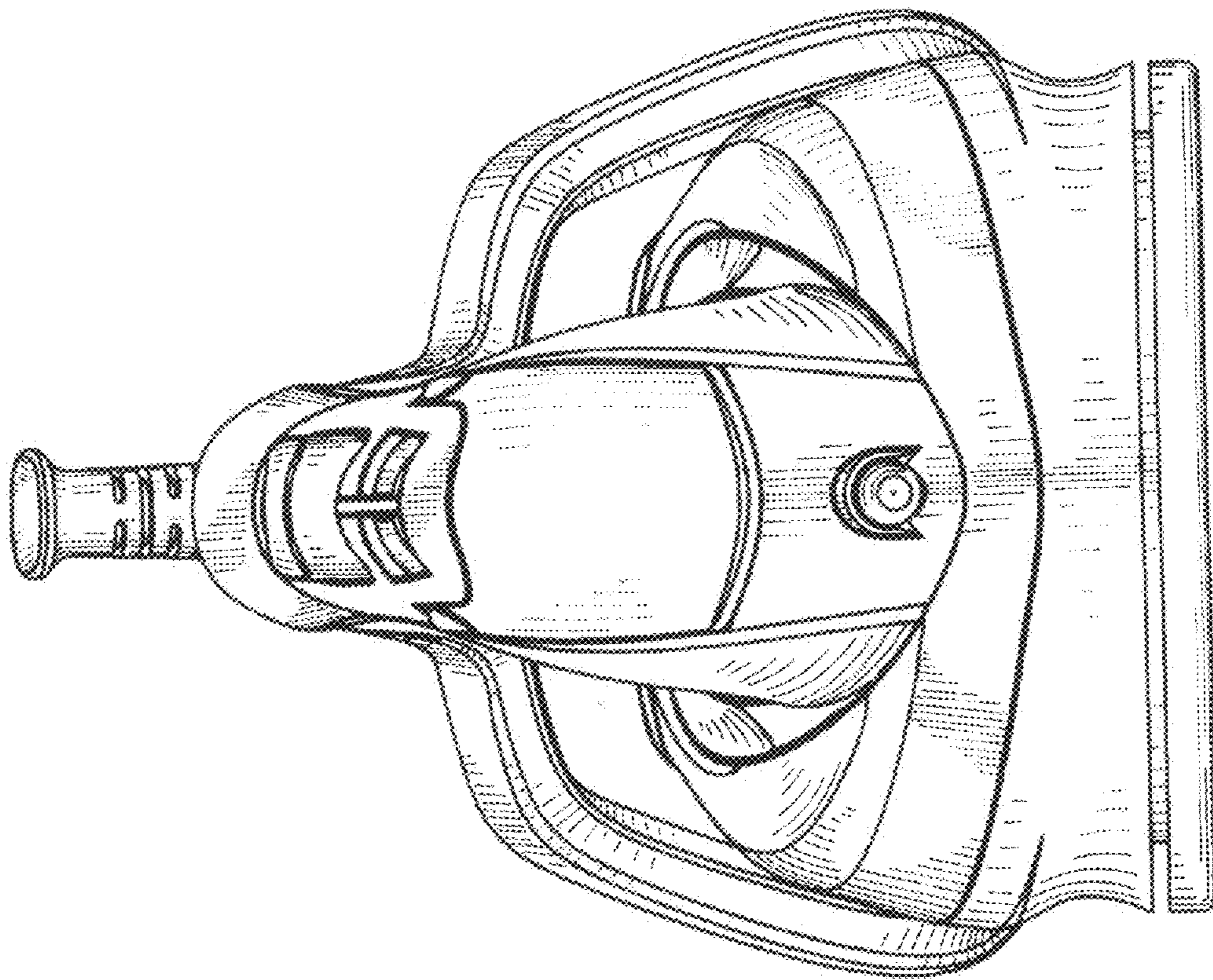


Fig. 4

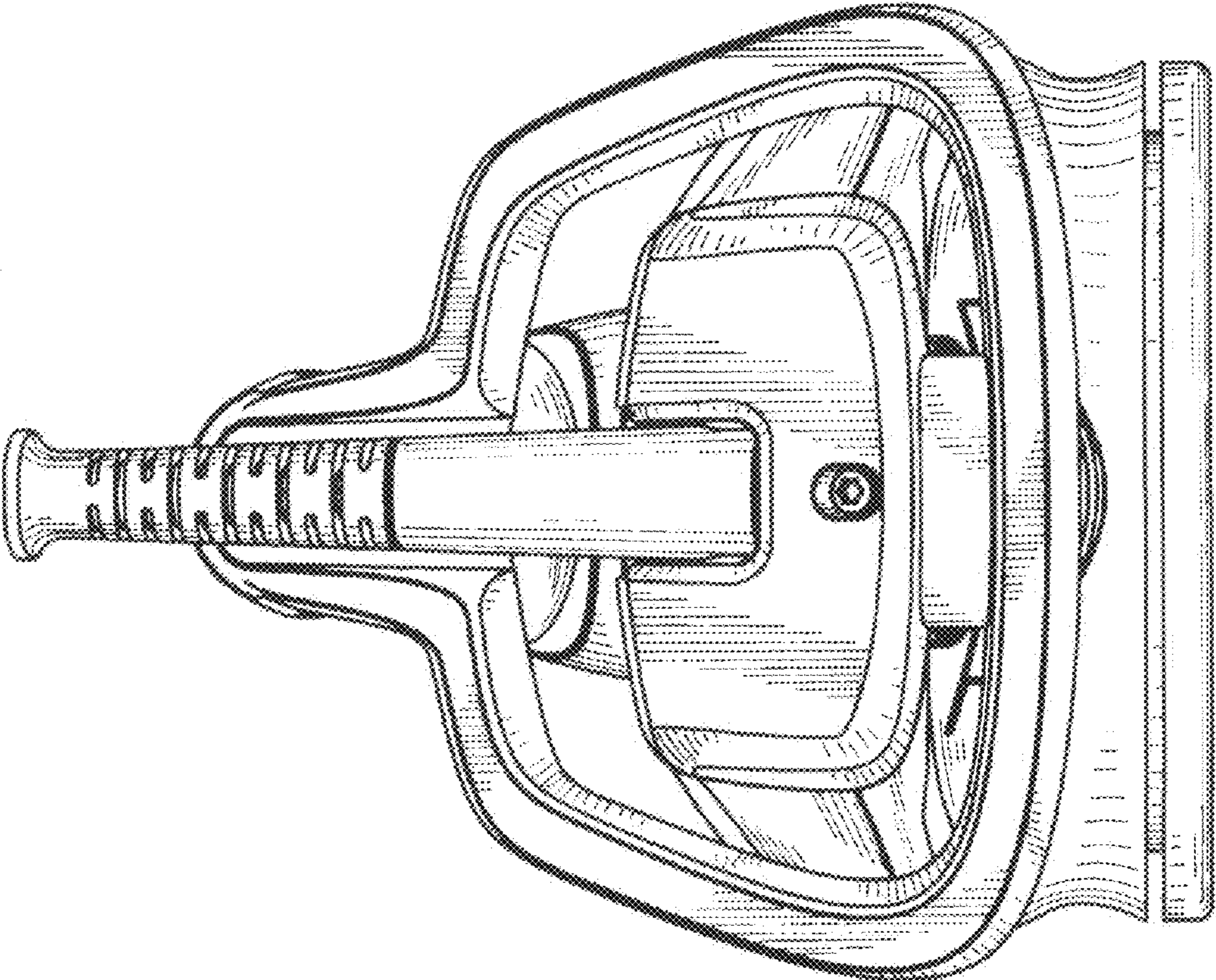


Fig. 5

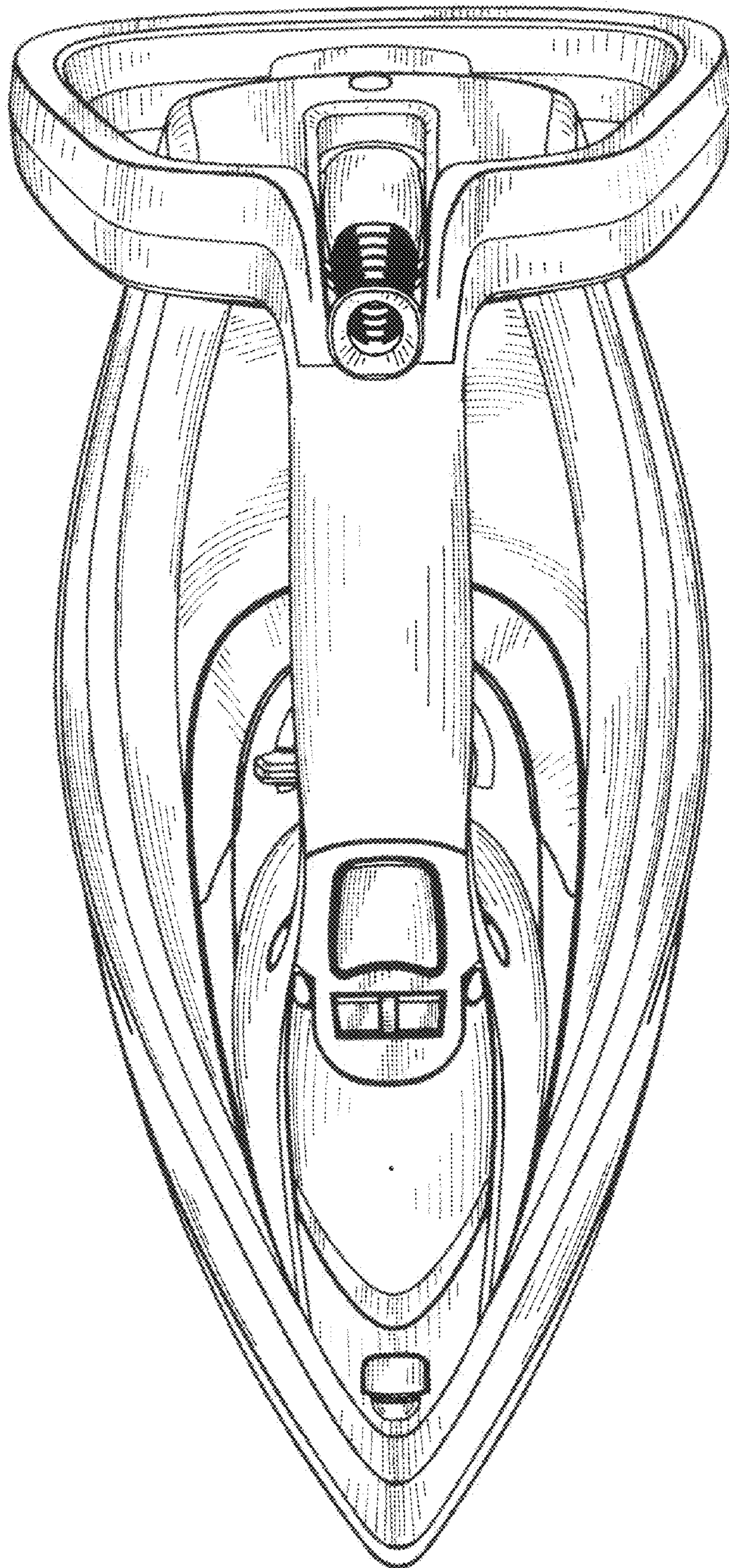


Fig. 6

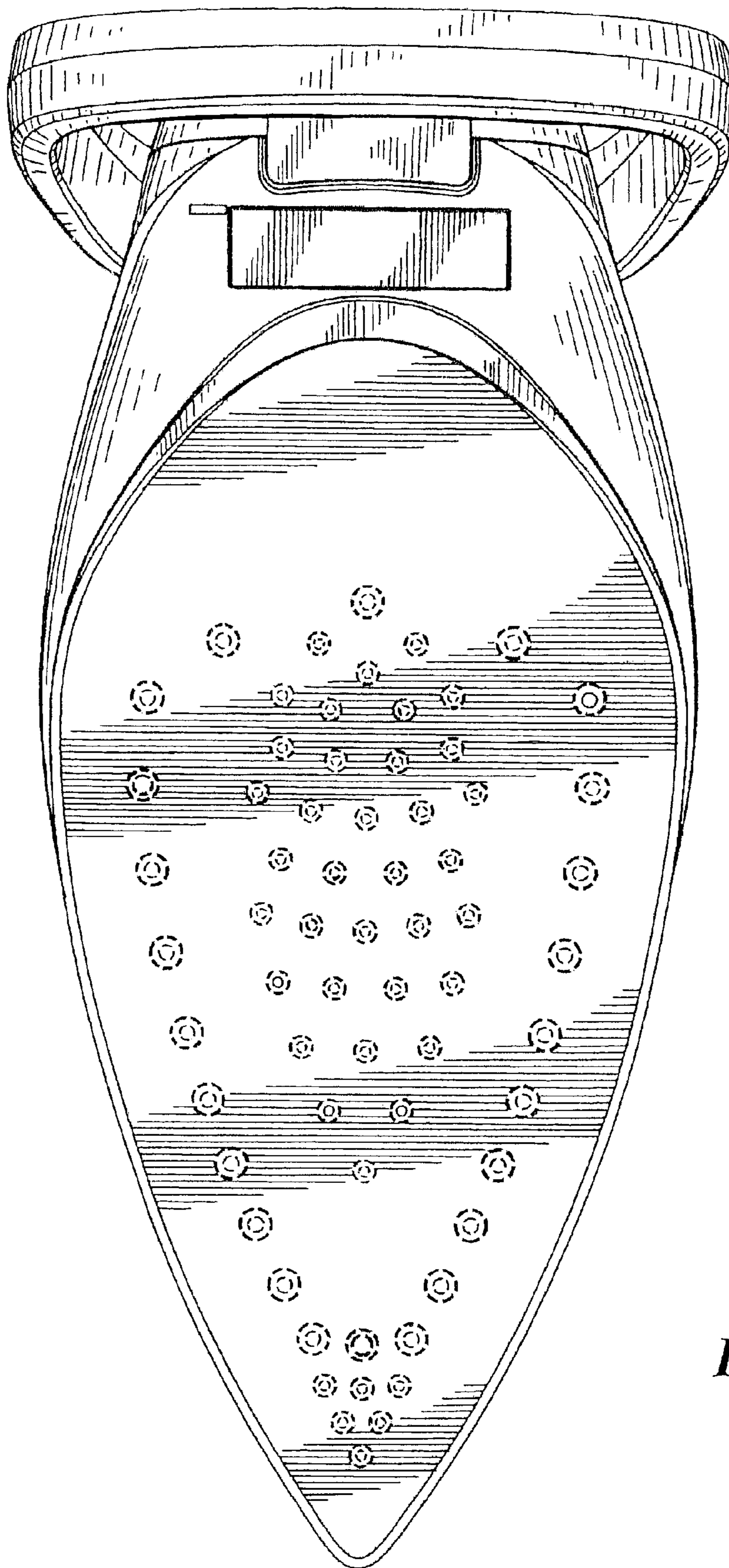


Fig. 7