



US00D645628S

(12) **United States Design Patent**  
**Tseng**

(10) **Patent No.:** **US D645,628 S**

(45) **Date of Patent:** **\*\* Sep. 20, 2011**

(54) **DOUBLE DRIVER MOP BUCKET**

(76) Inventor: **Chen-Ching Tseng, Miaoli (TW)**

(\*\*) Term: **14 Years**

(21) Appl. No.: **29/384,840**

(22) Filed: **Feb. 4, 2011**

(51) **LOC (9) Cl.** ..... **07-07**

(52) **U.S. Cl.** ..... **D32/53**

(58) **Field of Classification Search** ..... D32/53,  
D32/53.1, 54; 15/260, 263, 264, 257.06;  
220/904

See application file for complete search history.

(56) **References Cited**

**U.S. PATENT DOCUMENTS**

1,722,130	A *	7/1929	Finstad	.....	15/263
D227,148	S *	6/1973	Oas	.....	D32/53
D417,935	S *	12/1999	Primeau	.....	D32/53
6,065,175	A *	5/2000	Tejerina	.....	15/116.1
D499,223	S *	11/2004	Libman et al.	.....	D32/53
D518,262	S *	3/2006	Jurgens	.....	D32/53
D525,404	S *	7/2006	Petner et al.	.....	D32/53
7,318,247	B2 *	1/2008	Libman et al.	.....	15/260

D578,263	S *	10/2008	Pho	.....	D32/53
D617,067	S *	6/2010	Renner	.....	D32/53
D632,446	S *	2/2011	Tseng	.....	D32/53

\* cited by examiner

*Primary Examiner* — Robin V Webster

(74) *Attorney, Agent, or Firm* — Chun-Ming Shih

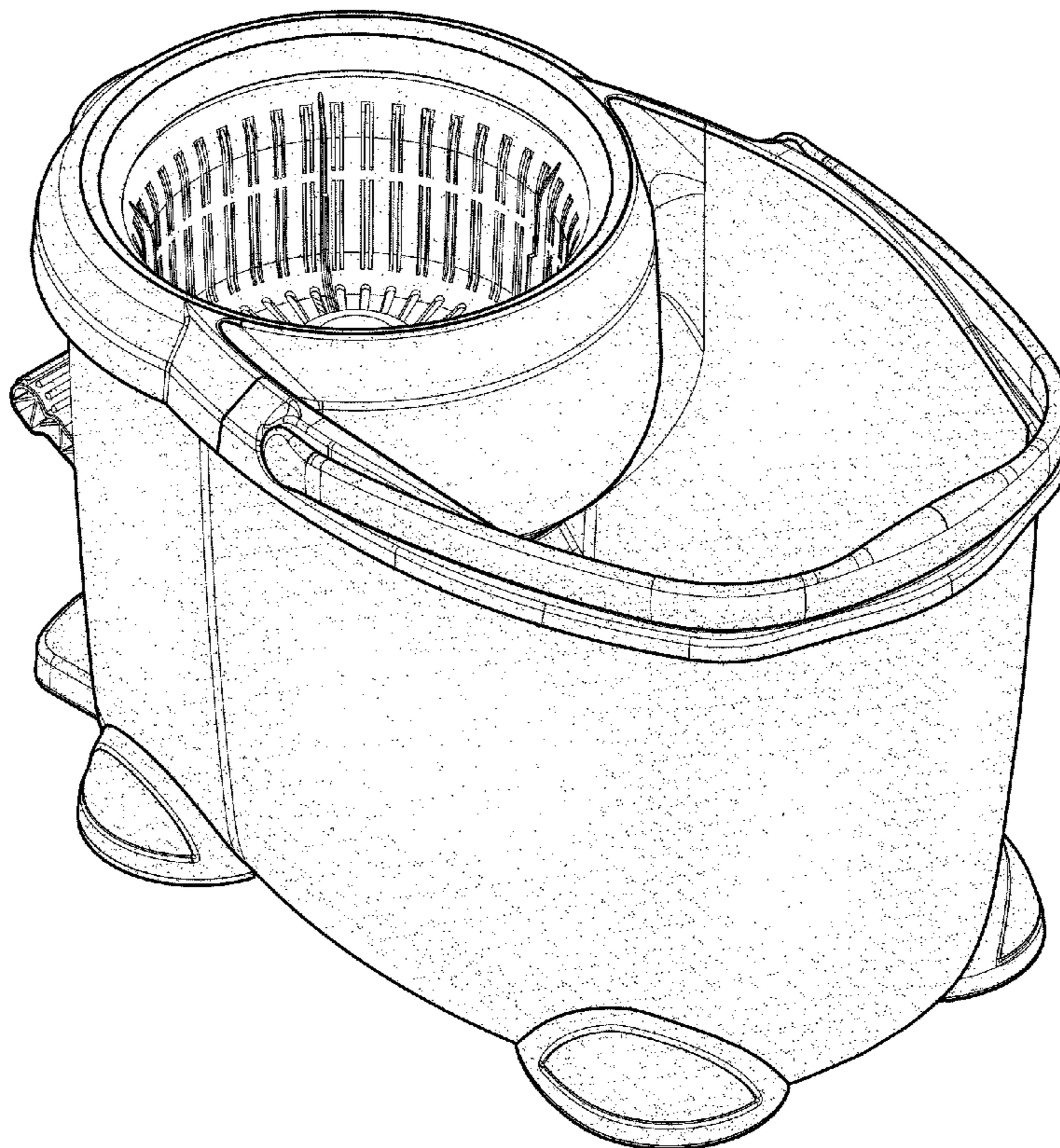
(57) **CLAIM**

The ornamental design for a double driver mop bucket, as shown.

**DESCRIPTION**

FIG. 1 is a front left perspective view of a double driver mop bucket showing my new design;  
 FIG. 2 is a front perspective view thereof;  
 FIG. 3 is a rear perspective view thereof;  
 FIG. 4 is a left side elevation view thereof;  
 FIG. 5 is a right side elevation view thereof;  
 FIG. 6 is a top plan view thereof;  
 FIG. 7 is a bottom plan view thereof;  
 FIG. 8 is a rear perspective view thereof;  
 FIG. 9 is a right side three-dimensional exploded view thereof; and,  
 FIG. 10 is a right side three-dimensional exploded view thereof.

**1 Claim, 10 Drawing Sheets**



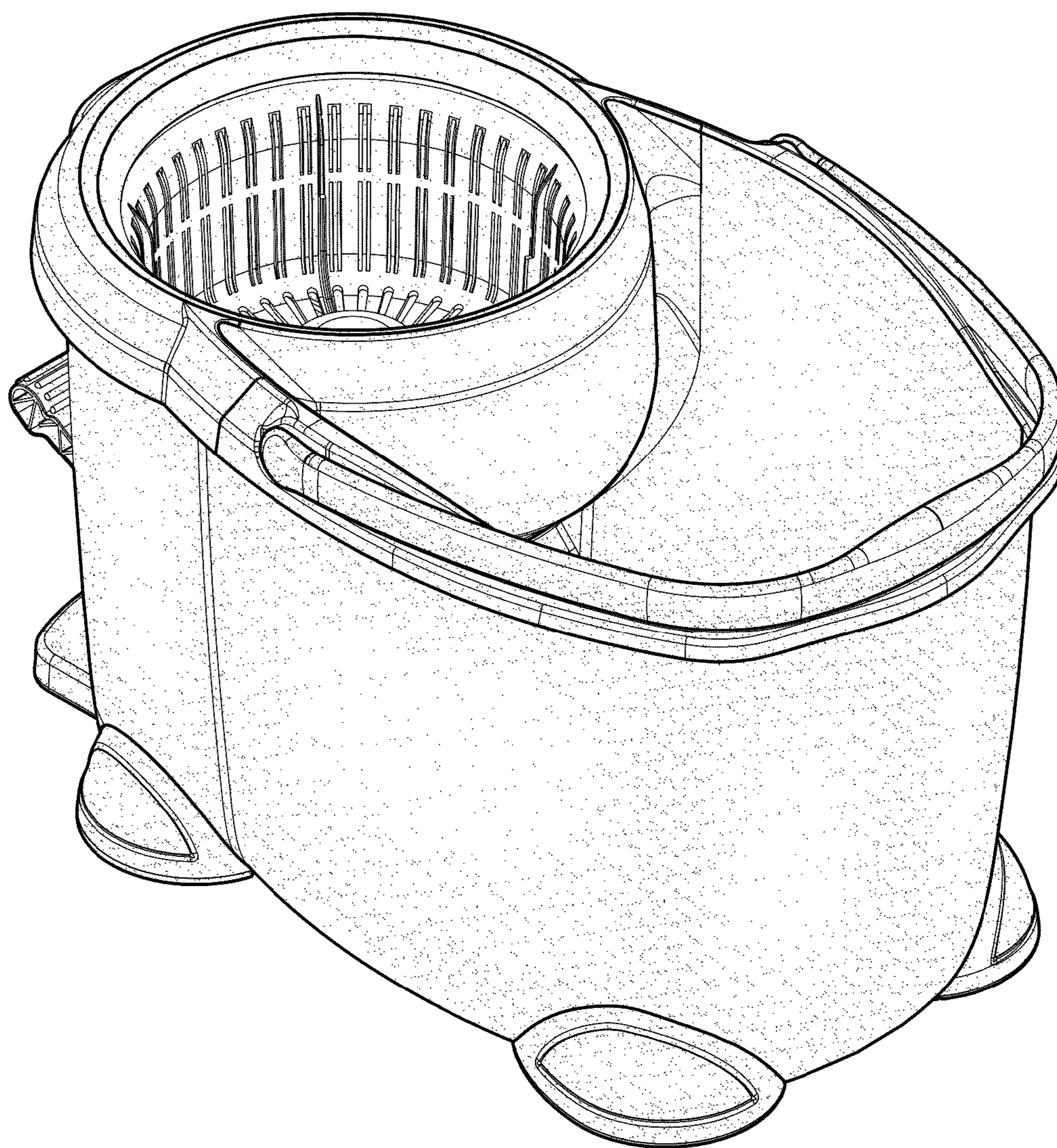


Fig. 1



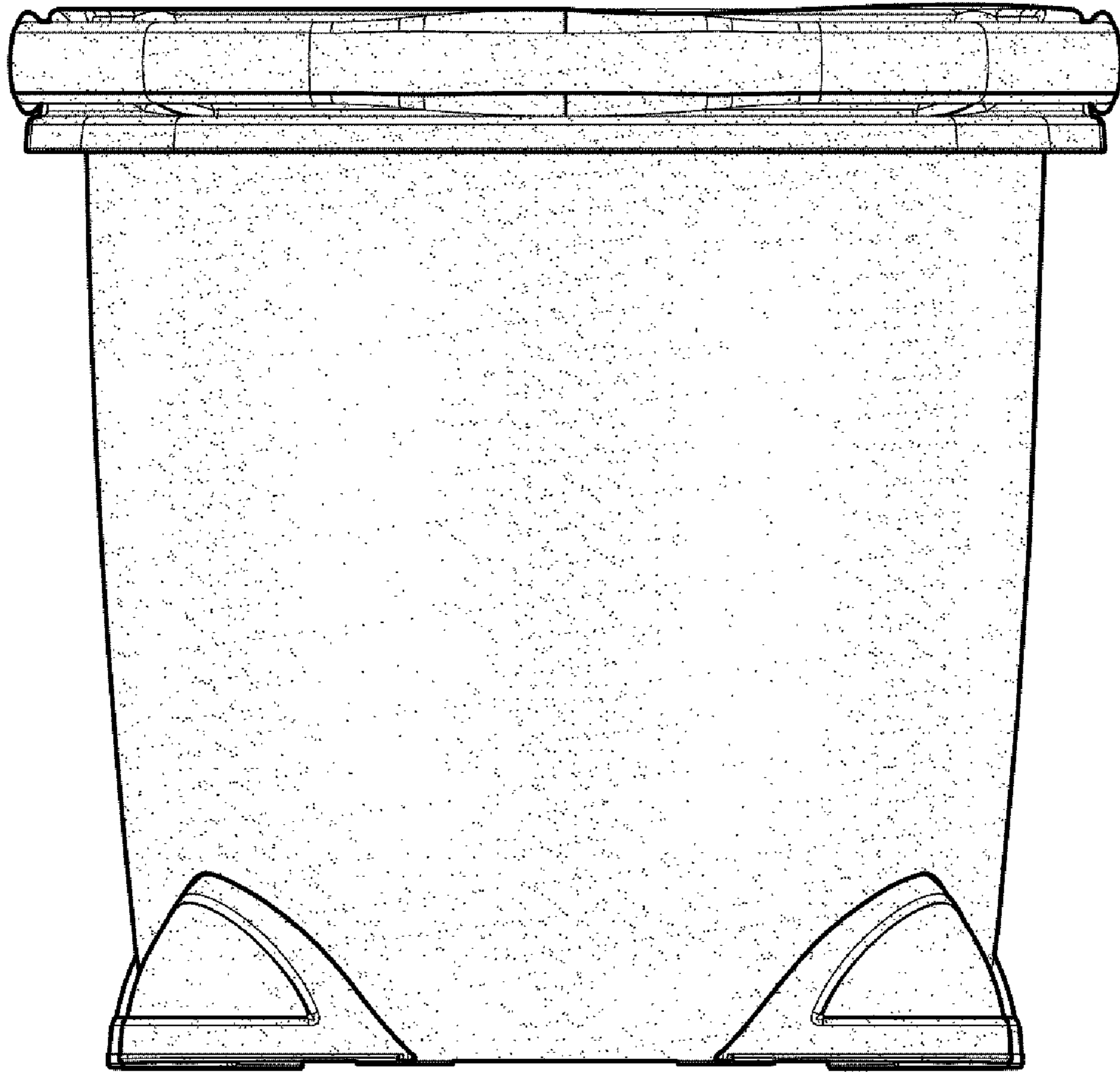


Fig. 2

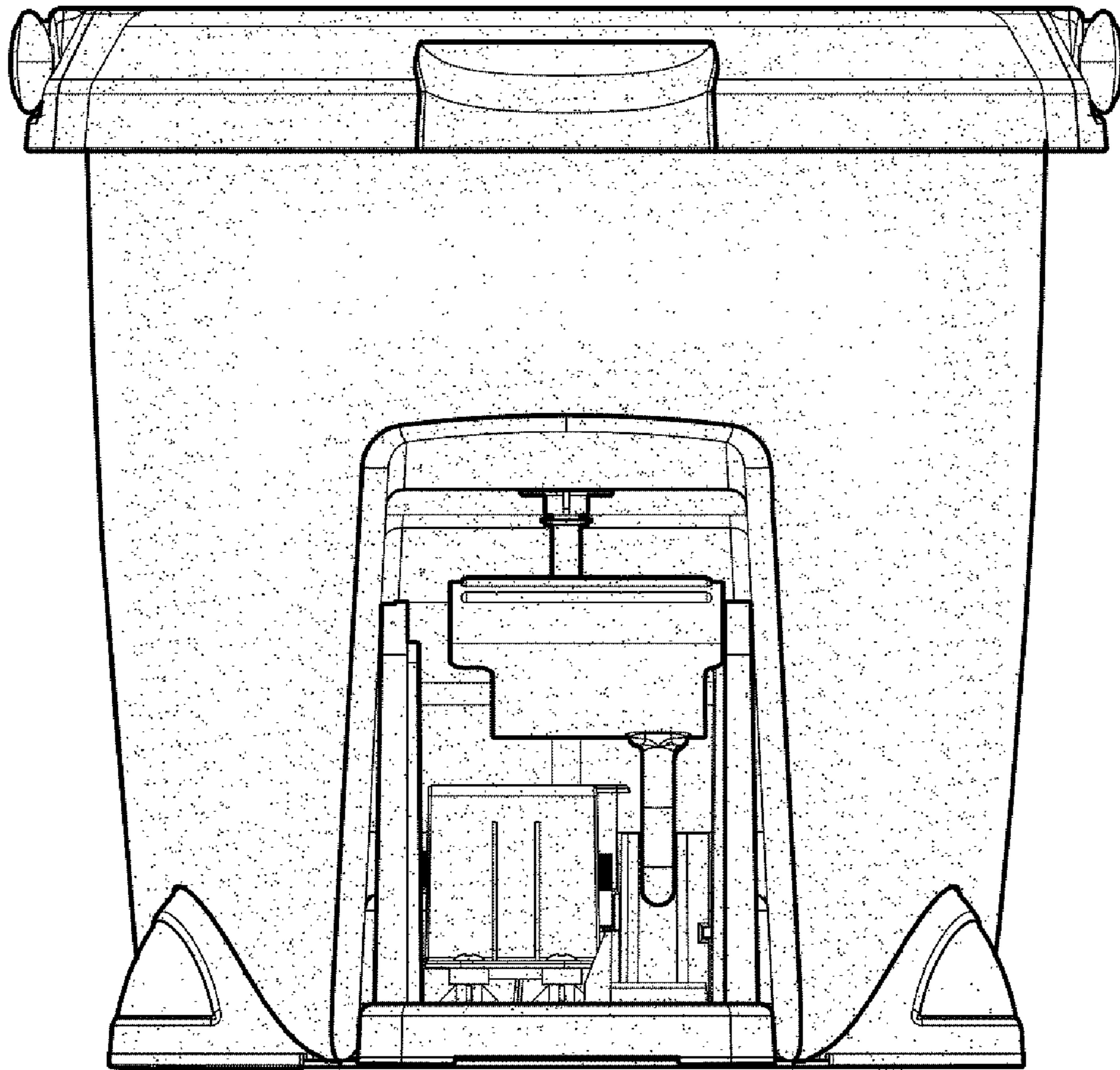


Fig. 3

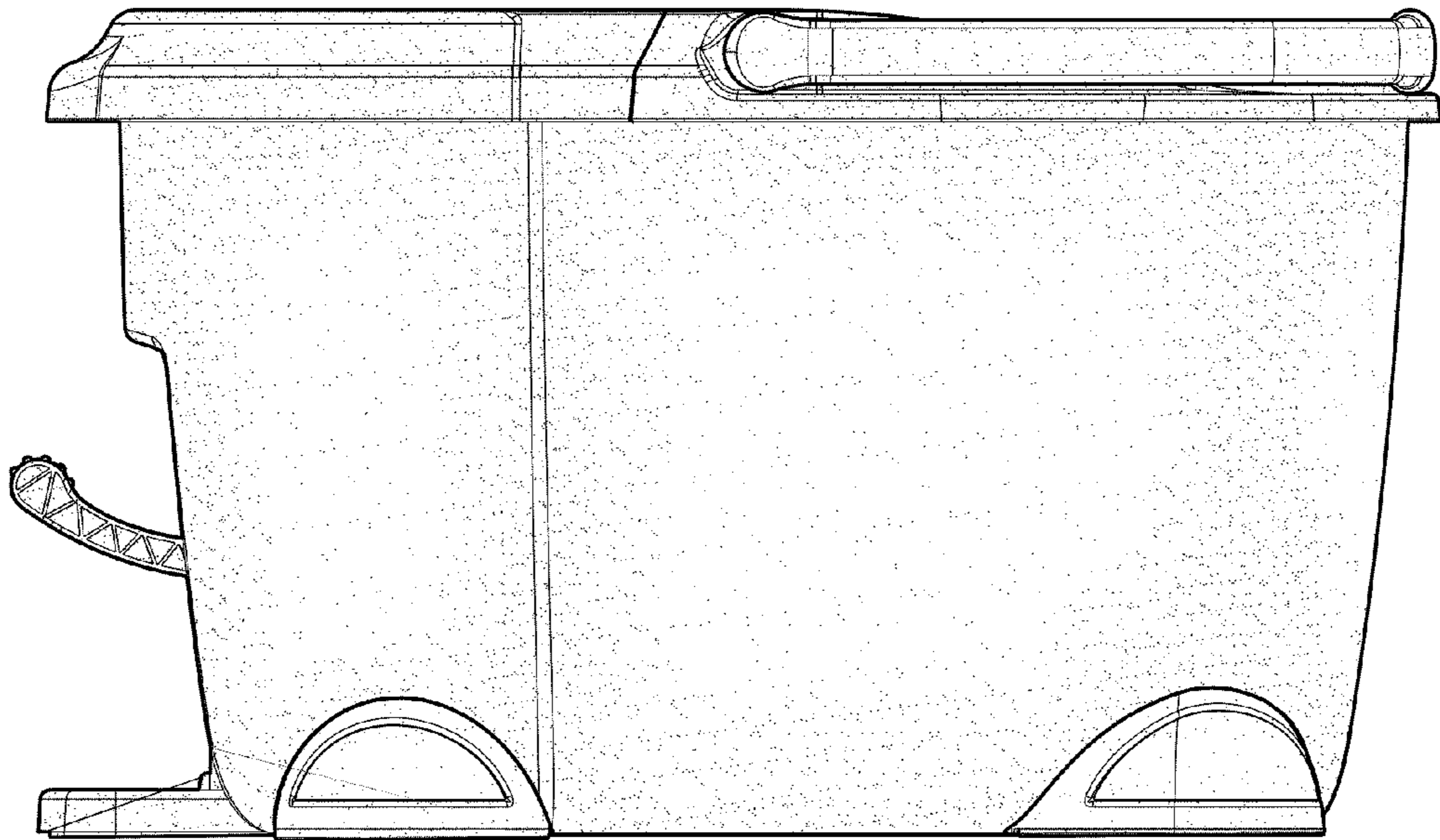


Fig. 4

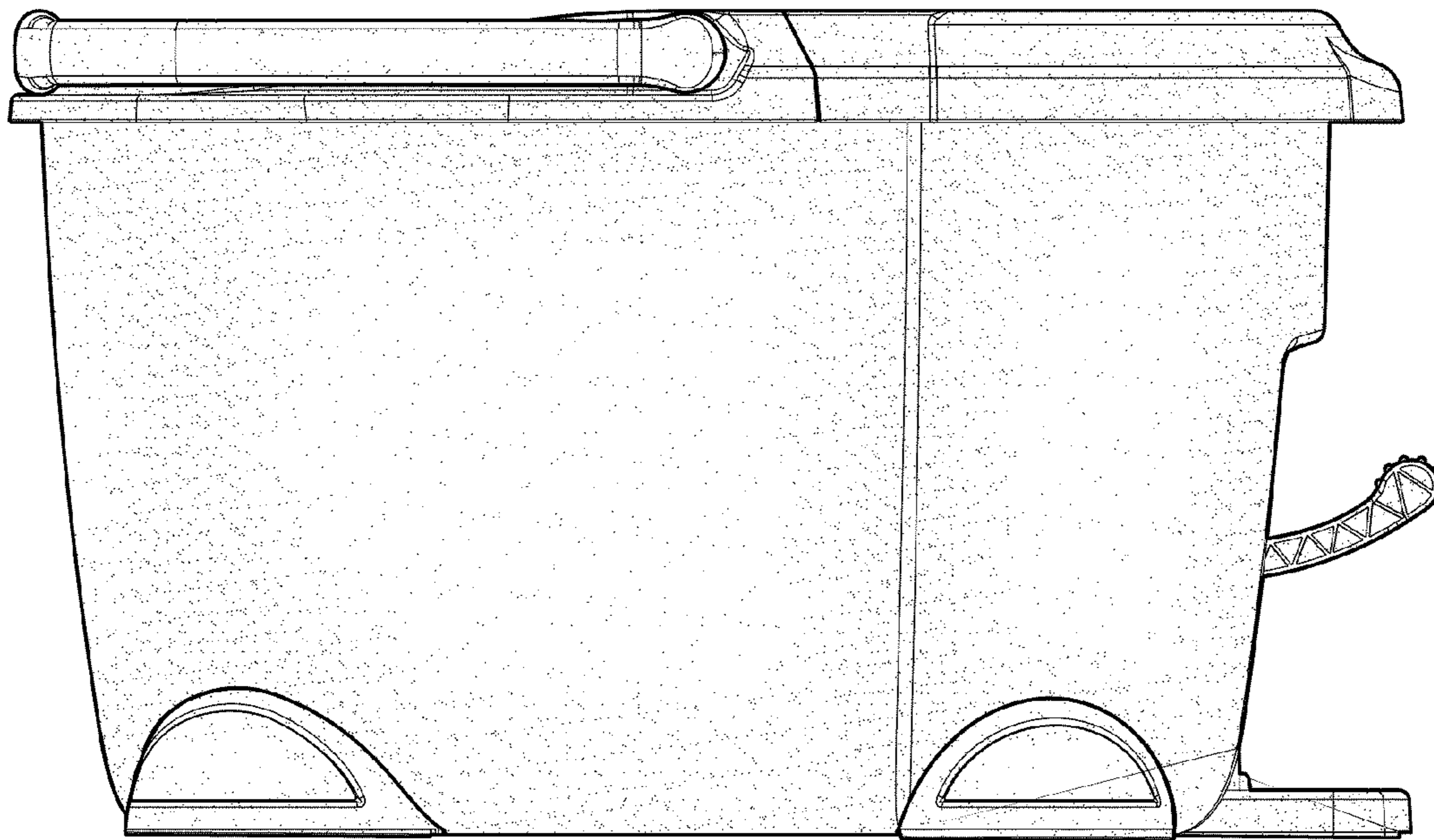


Fig. 5



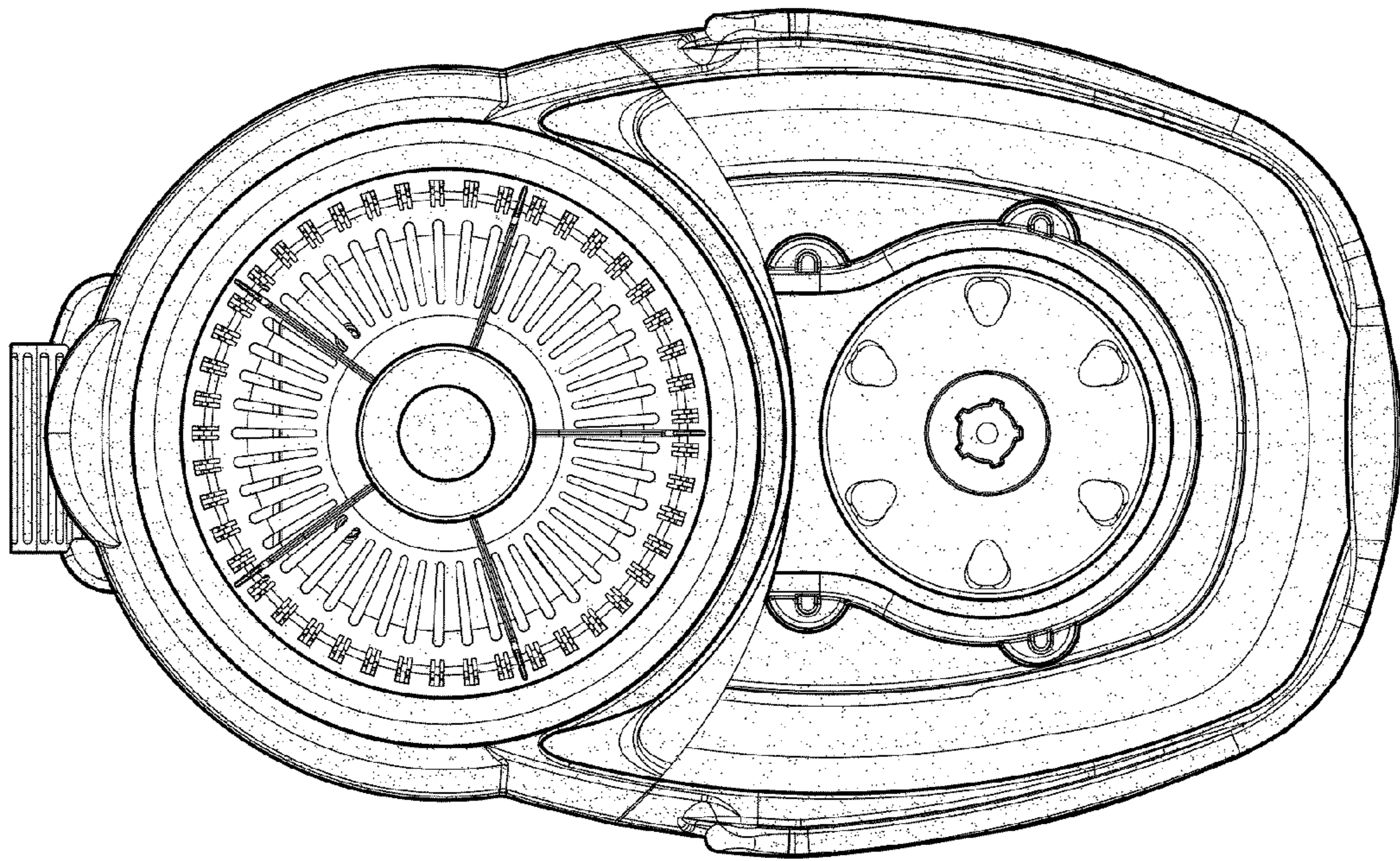


Fig. 6

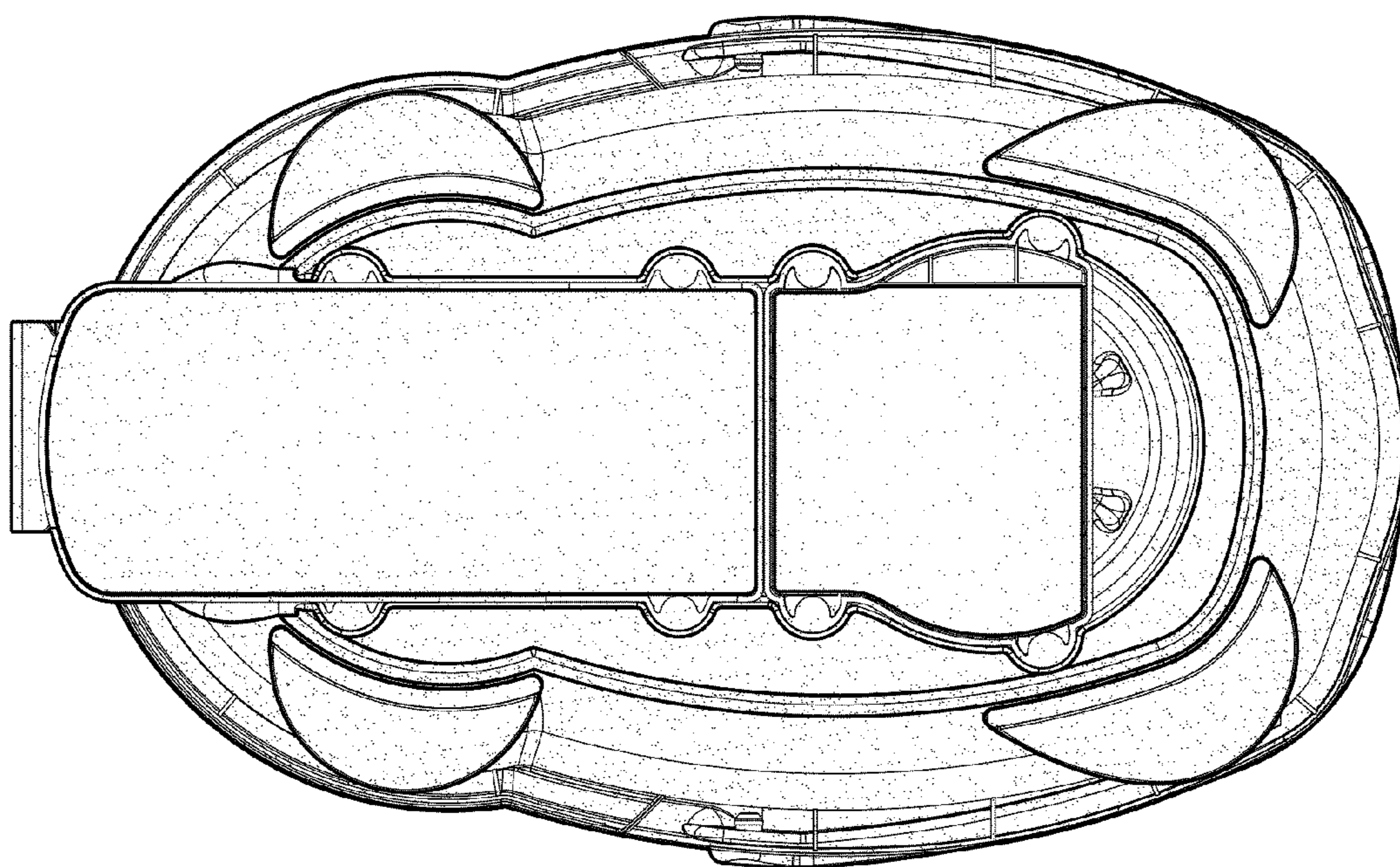


Fig. 7



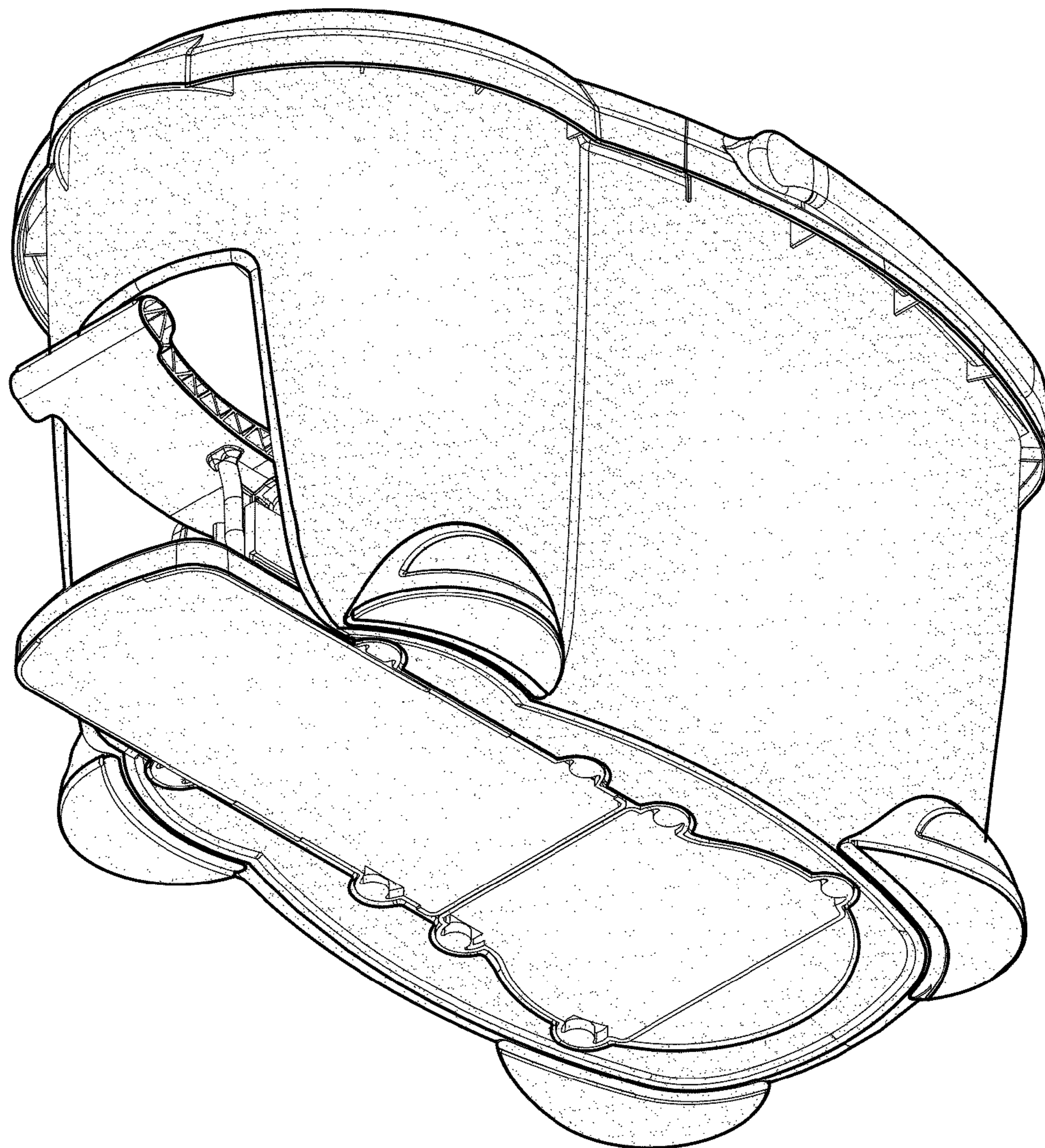


Fig. 8

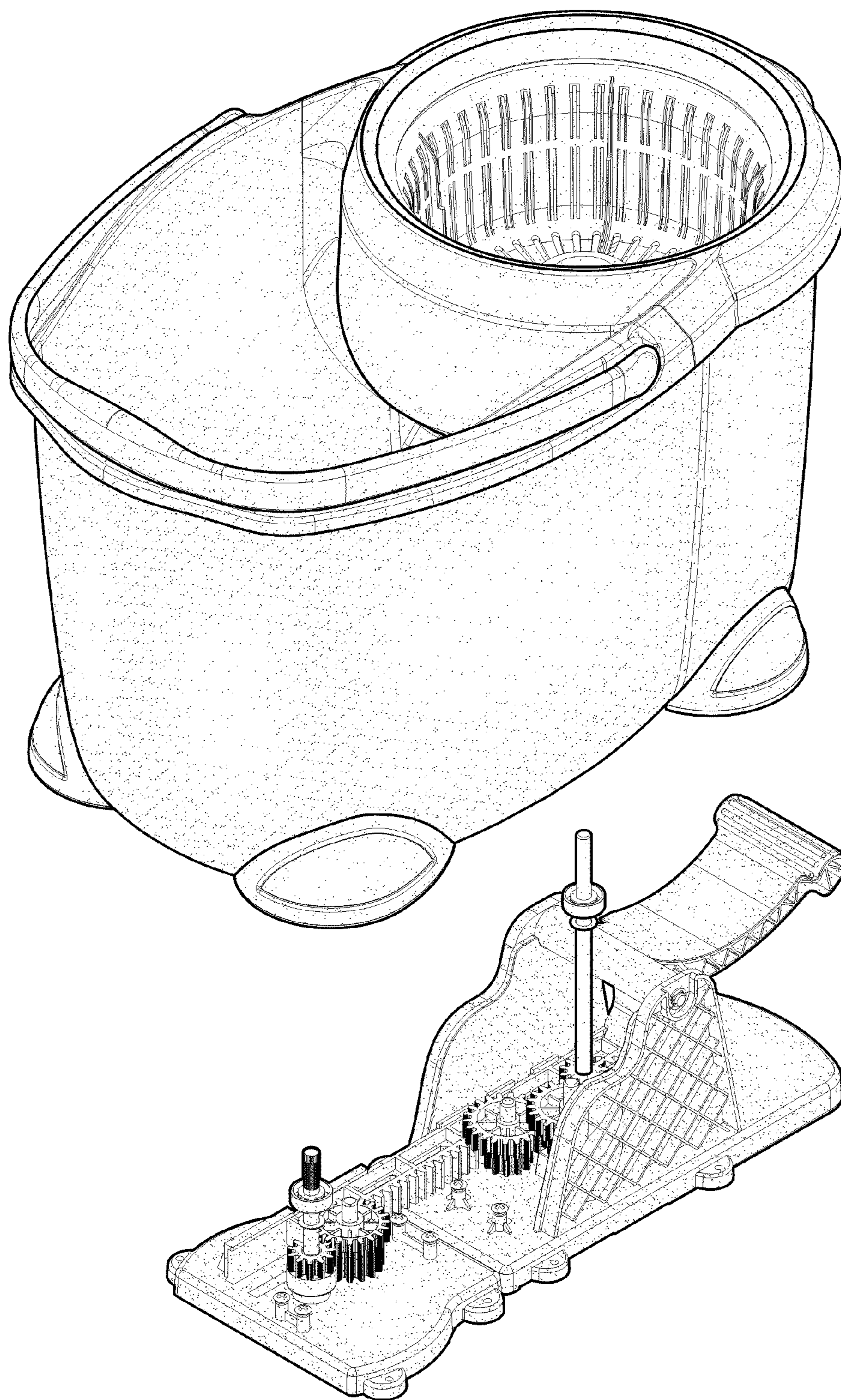


Fig. 9



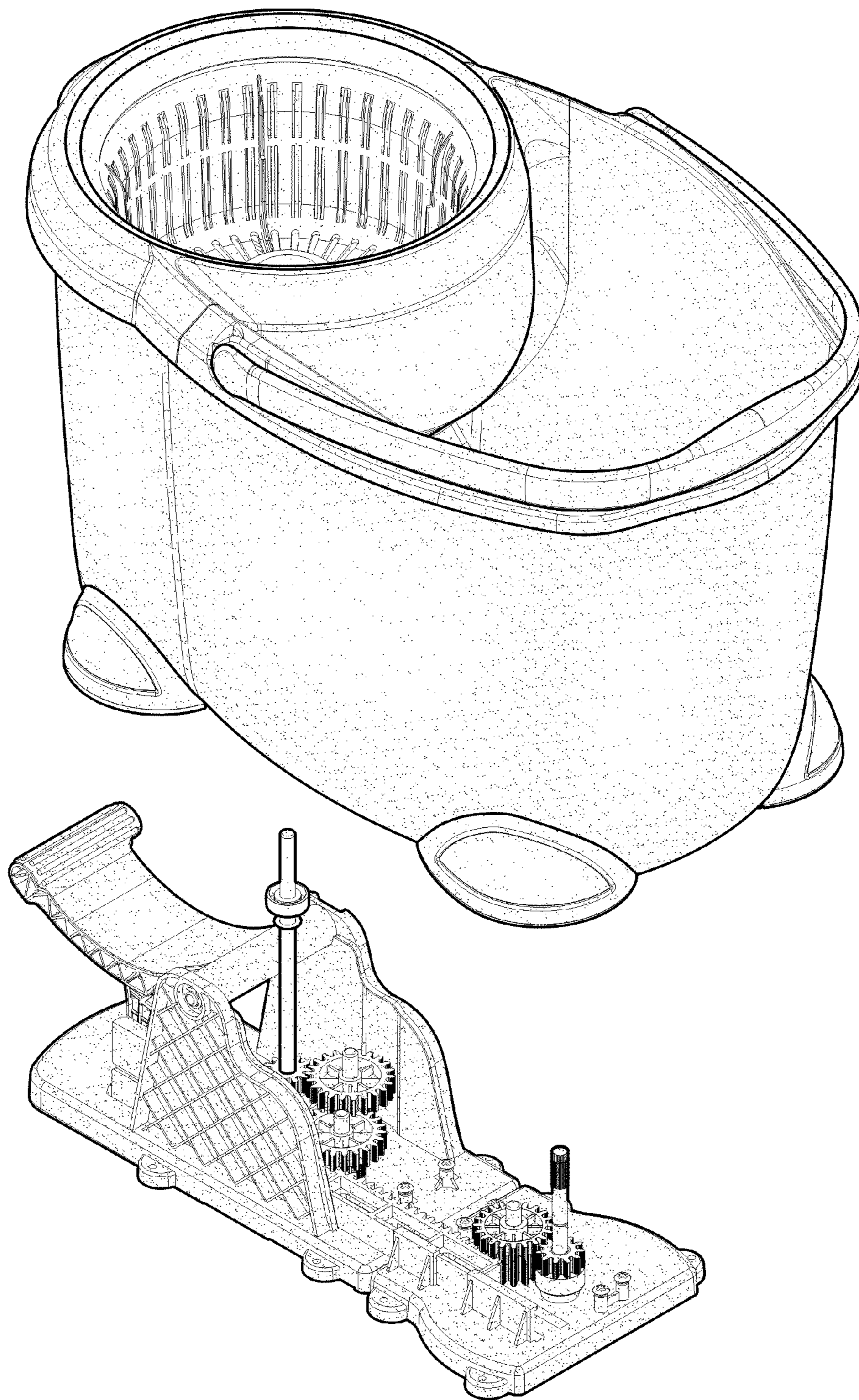


Fig. 10