



US00D645627S

(12) **United States Design Patent**  
**Arvinte et al.**

(10) **Patent No.:** **US D645,627 S**

(45) **Date of Patent:** **\*\* \*Sep. 20, 2011**

(54) **PAINT BUCKET LINER**

(75) Inventors: **Roméo Arvinte**, Laval-des-Rapides (CA); **François Panfili**, Berthierville (CA)

(73) Assignee: **A. Richard Tools Co./Outils A. Richard Co.**, Berthierville, Quebec (CA)

(\*\*) Term: **14 Years**

(21) Appl. No.: **29/376,039**

(22) Filed: **Sep. 30, 2010**

(30) **Foreign Application Priority Data**

Mar. 31, 2010 (CA) ..... 134800

(51) **LOC (9) Cl.** ..... **07-07**

(52) **U.S. Cl.** ..... **D32/53**

(58) **Field of Classification Search** ..... D32/53,  
D32/53.1, 54; 15/264; 220/904, 694, 700,  
220/702, 495.01, 495.02

See application file for complete search history.

(56) **References Cited**

**U.S. PATENT DOCUMENTS**

D257,668 S *	12/1980	Ahern	.....	D32/54
D415,864 S *	10/1999	Axhamre	.....	D32/54
6,260,730 B1 *	7/2001	Fellman	.....	220/495.02
D481,502 S *	10/2003	Clark	.....	D32/53.1
D549,913 S *	8/2007	Bergman	.....	D32/53
D607,624 S *	1/2010	Bergman	.....	D32/54
D618,414 S *	6/2010	Bechtold, Jr.	.....	D32/54
D620,662 S	7/2010	Blanchard		

**FOREIGN PATENT DOCUMENTS**

CA	122863	1/2009
CA	122596	5/2009

\* cited by examiner

*Primary Examiner* — Robin Webster

(74) *Attorney, Agent, or Firm* — Merchant & Gould P.C.

(57) **CLAIM**

The ornamental design for a paint bucket liner, as shown and described.

**DESCRIPTION**

FIG. 1 is a perspective view of a first embodiment of a paint bucket liner showing our new design.

FIG. 2 is a rear elevational view thereof.

FIG. 3 is a front elevational view thereof.

FIG. 4 is a right side elevational view thereof.

FIG. 5 is a left side elevational view thereof.

FIG. 6 is a top plan view thereof.

FIG. 7 is a bottom plan view thereof.

FIG. 8 is a perspective view of a second embodiment of a paint bucket liner showing our new design.

FIG. 9 is a rear elevational view thereof.

FIG. 10 is a front elevational view thereof.

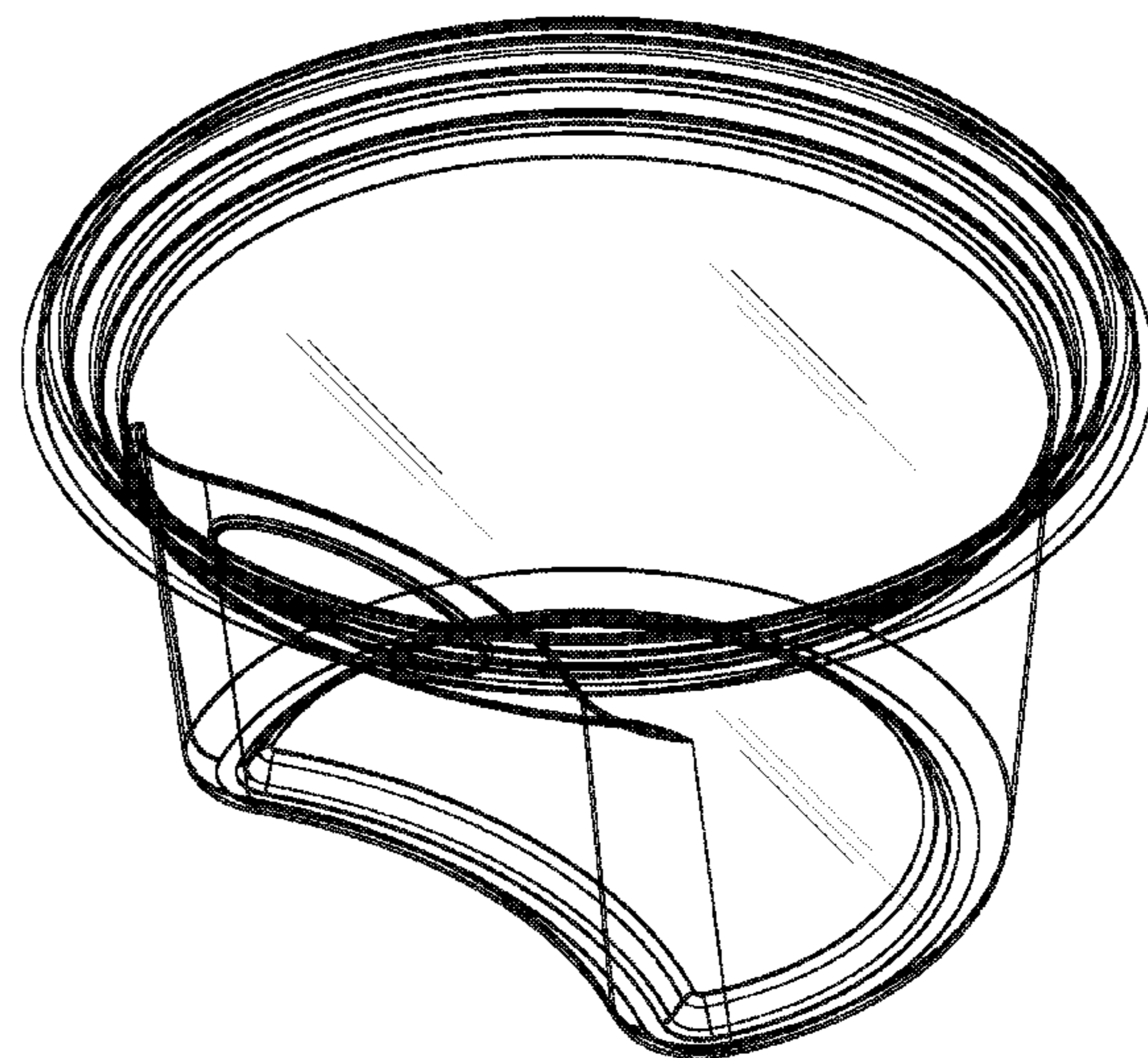
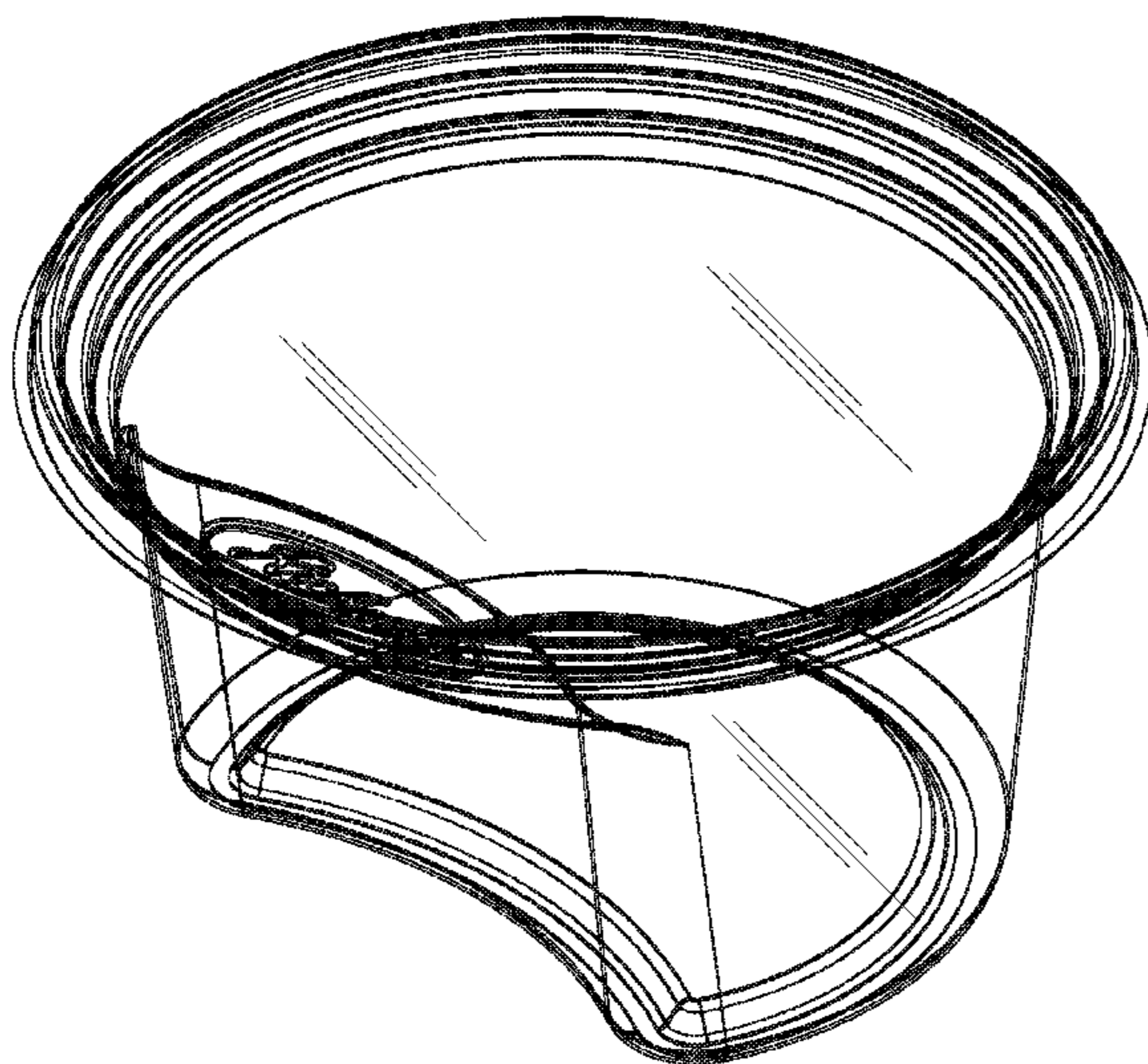
FIG. 11 is a right side elevational view thereof.

FIG. 12 is a left side elevational view thereof.

FIG. 13 is a top plan view thereof; and,

FIG. 14 is a bottom plan view thereof.

**1 Claim, 14 Drawing Sheets**



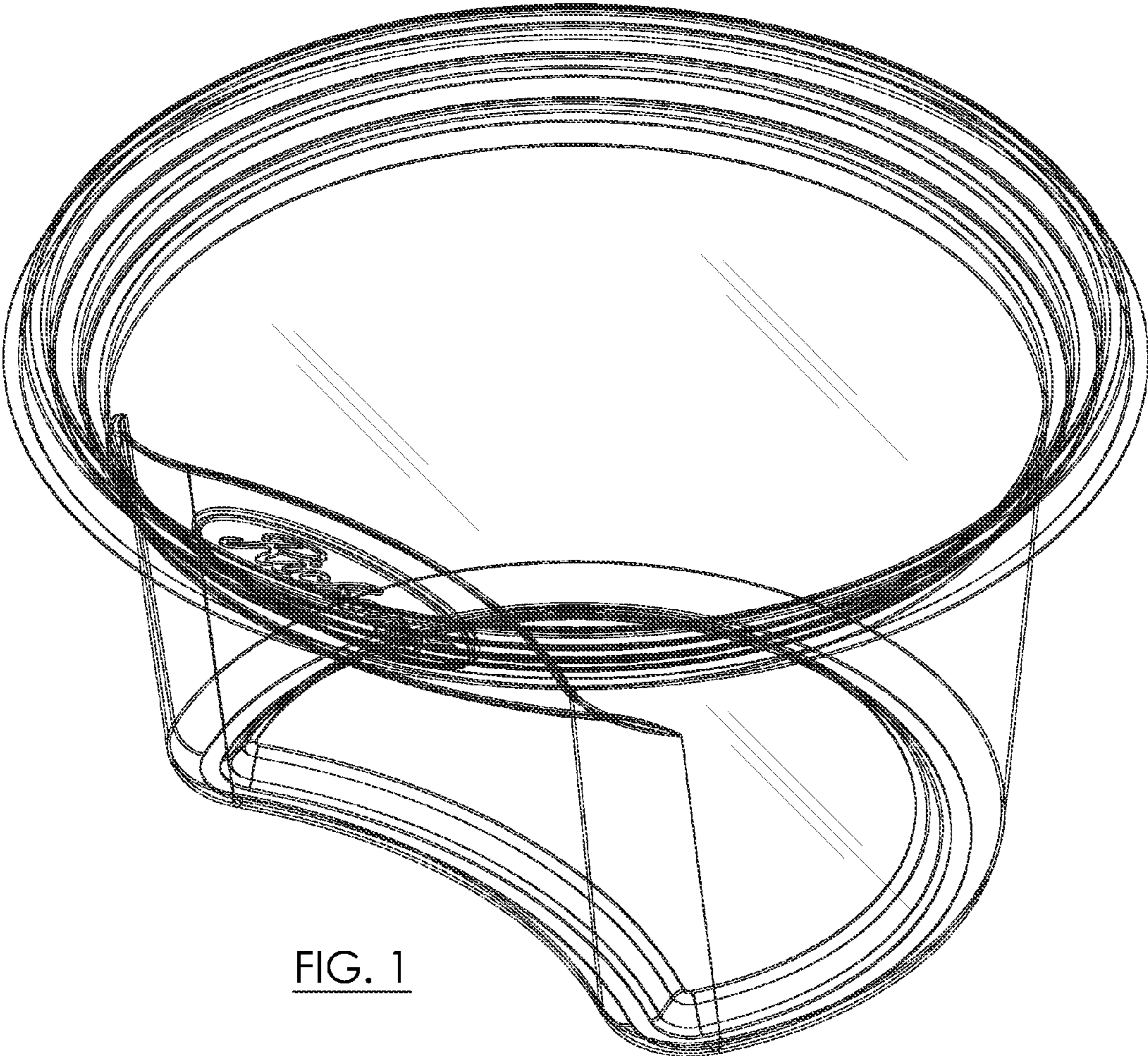


FIG. 1

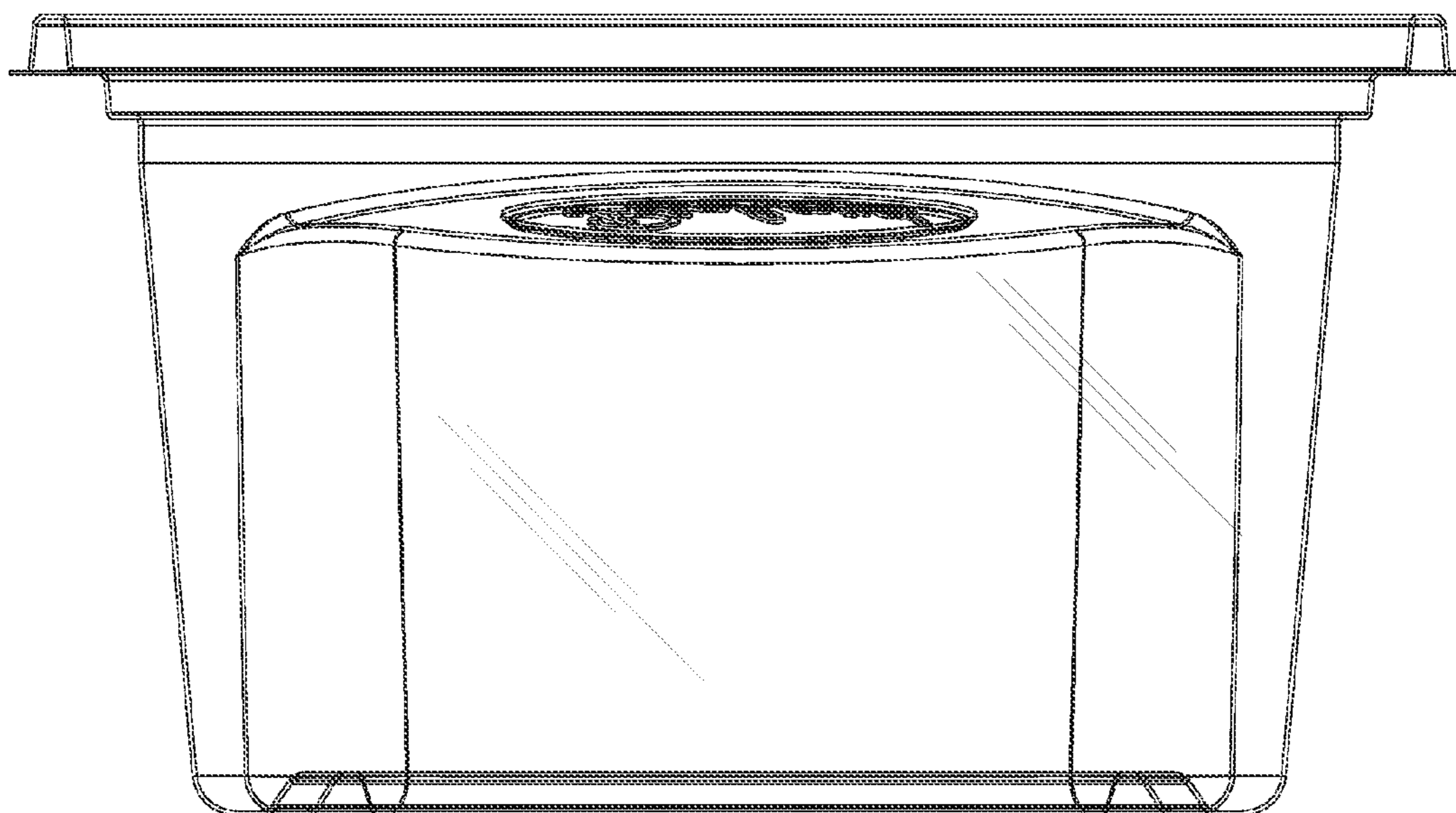


FIG. 2

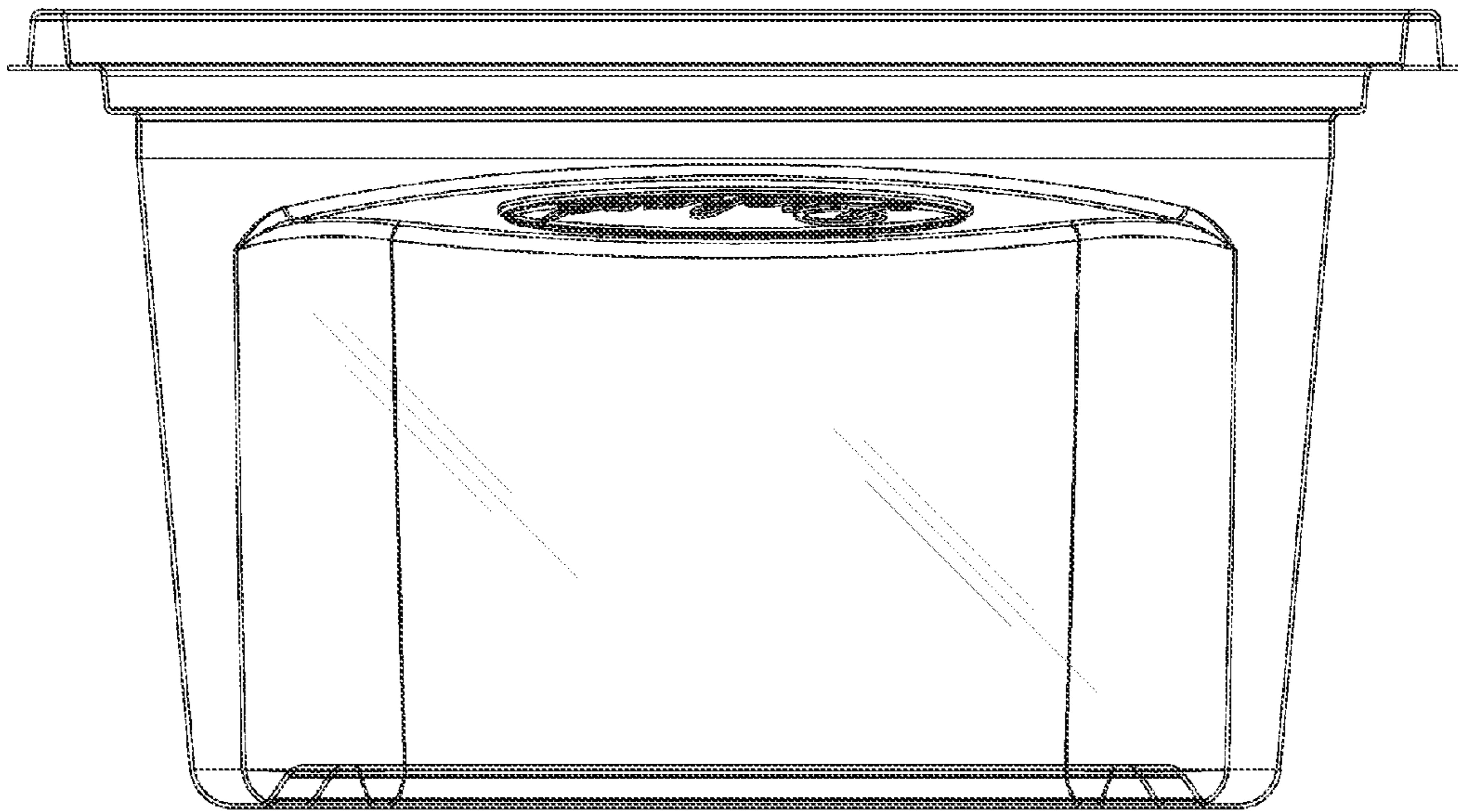


FIG. 3

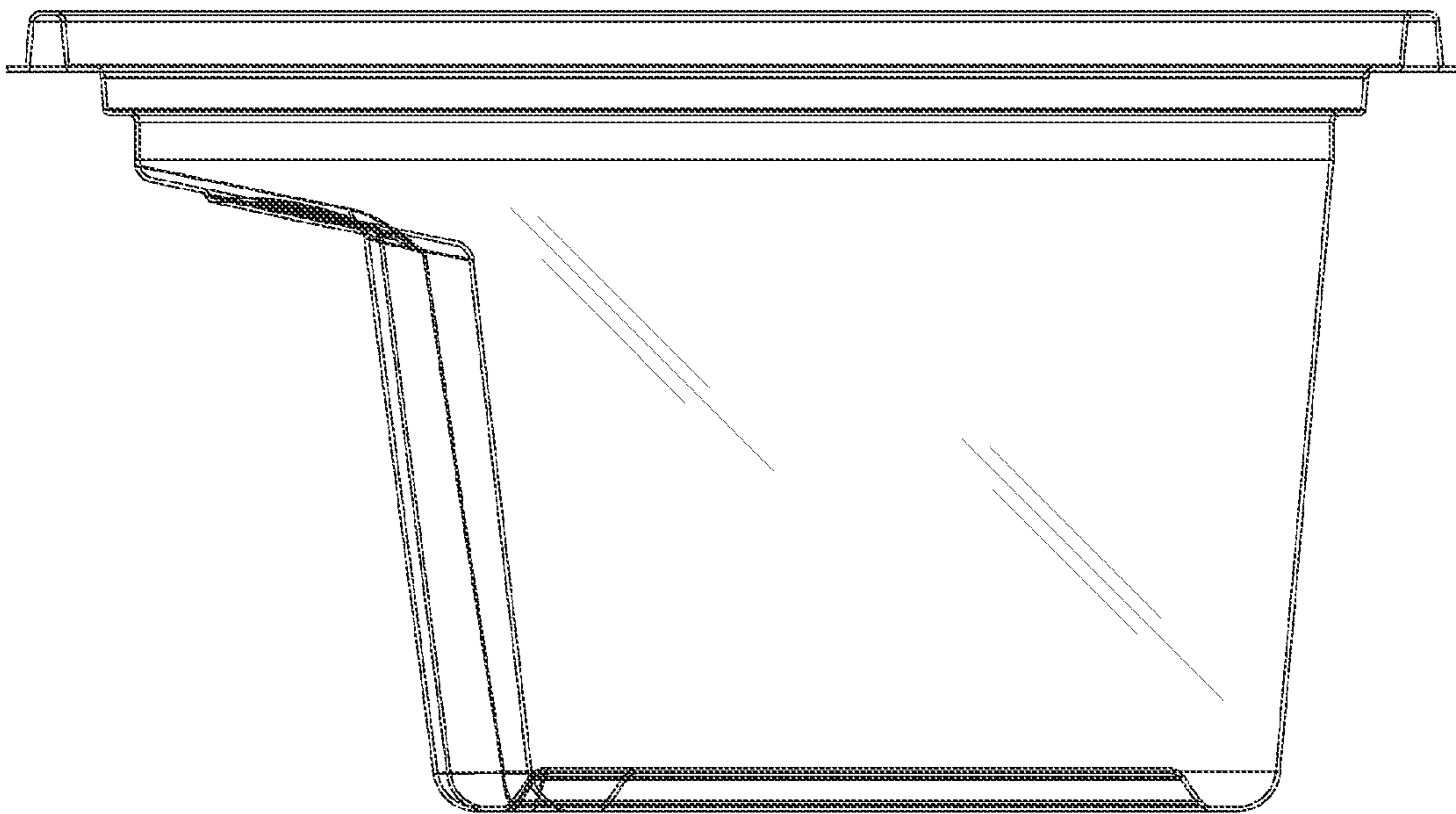


FIG. 4

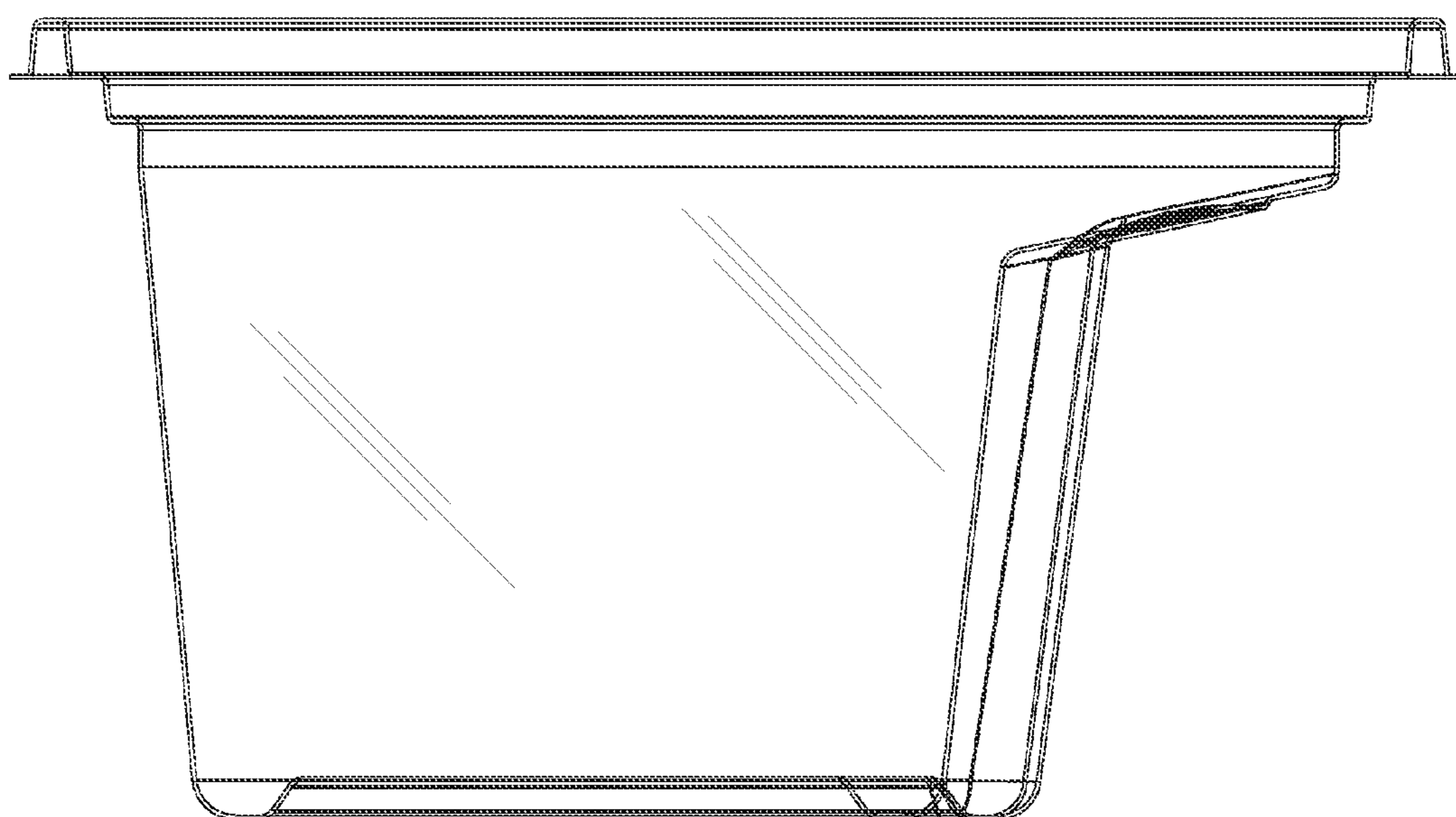


FIG. 5

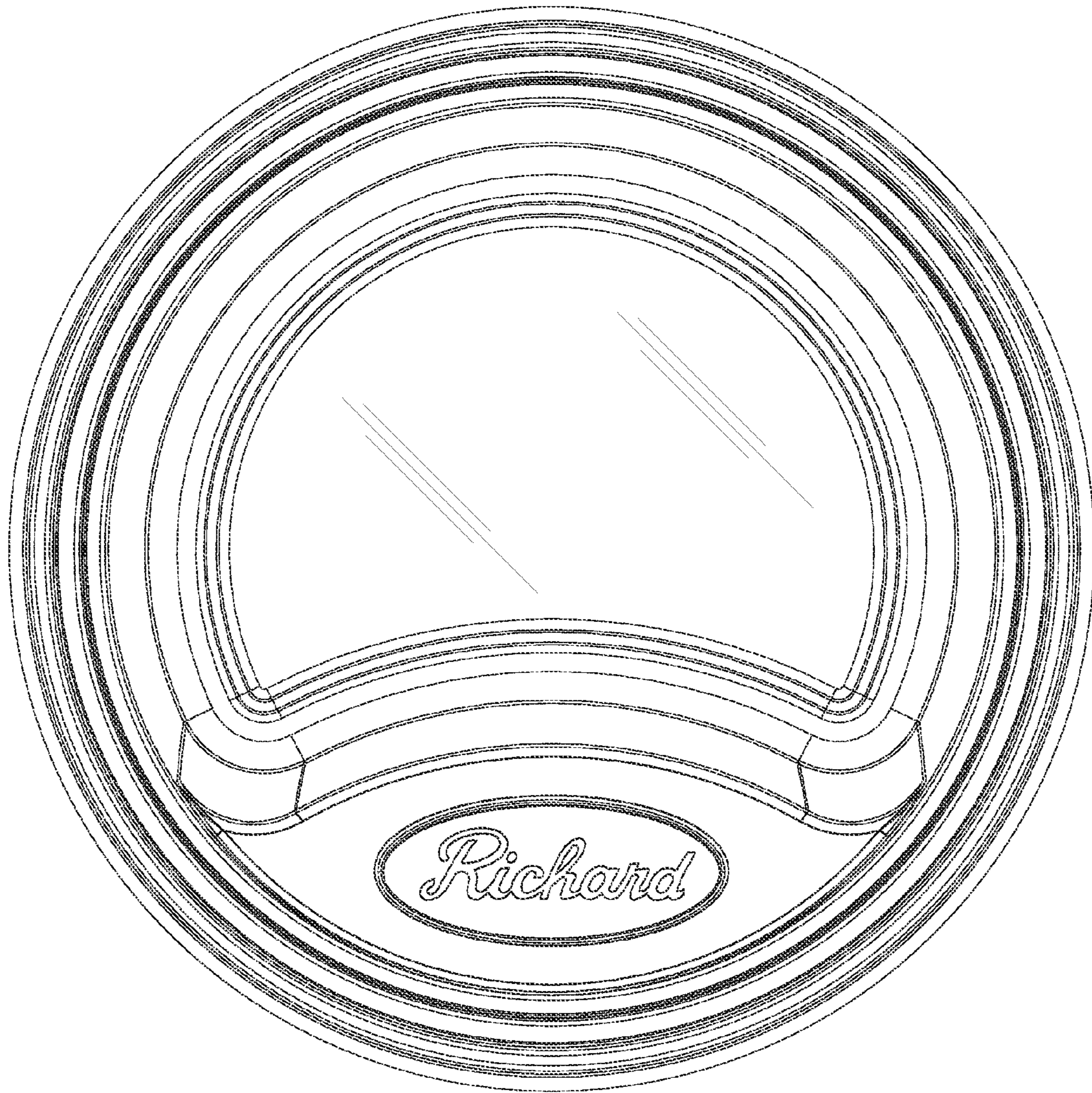


FIG. 6

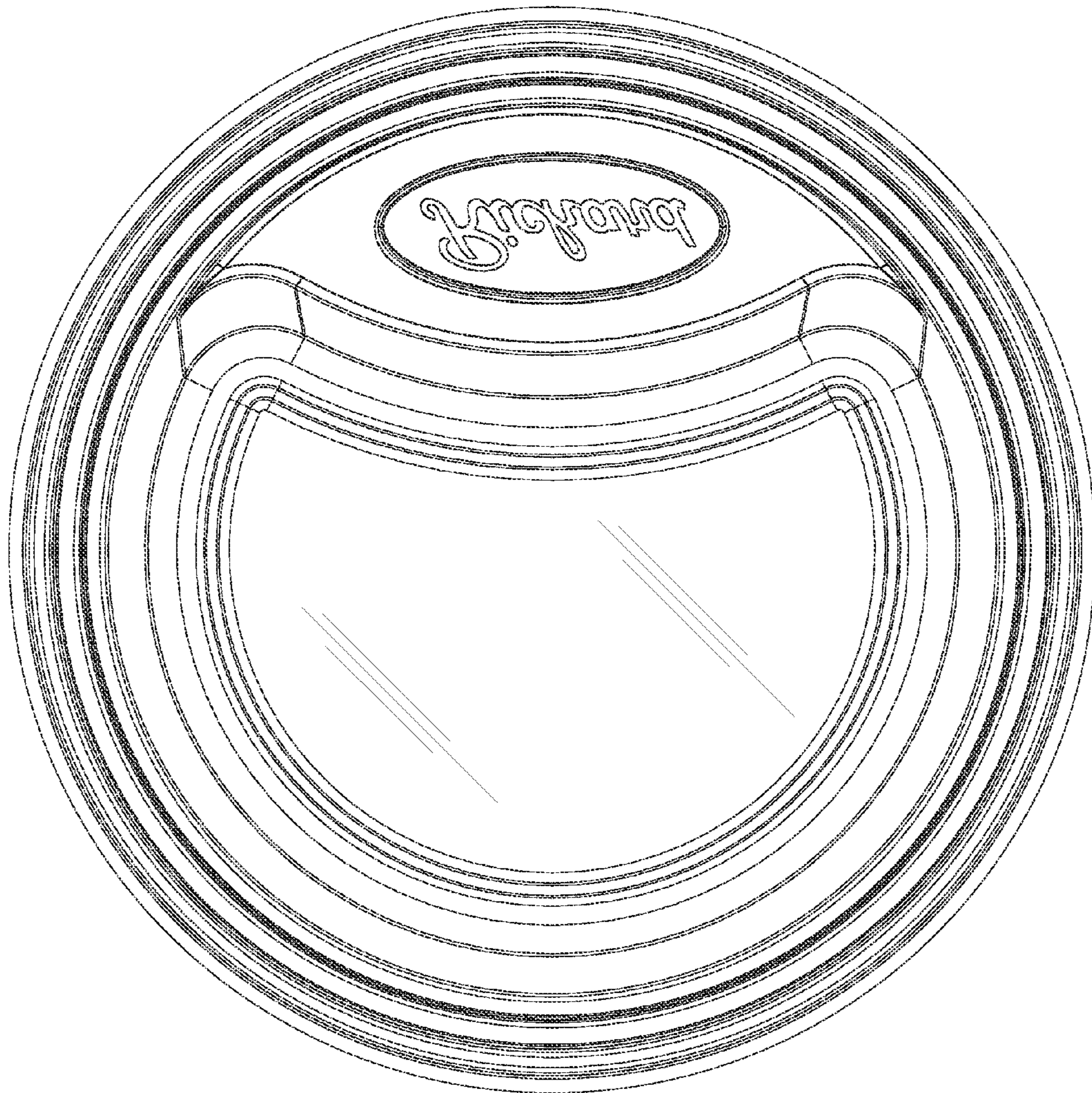


FIG. 7



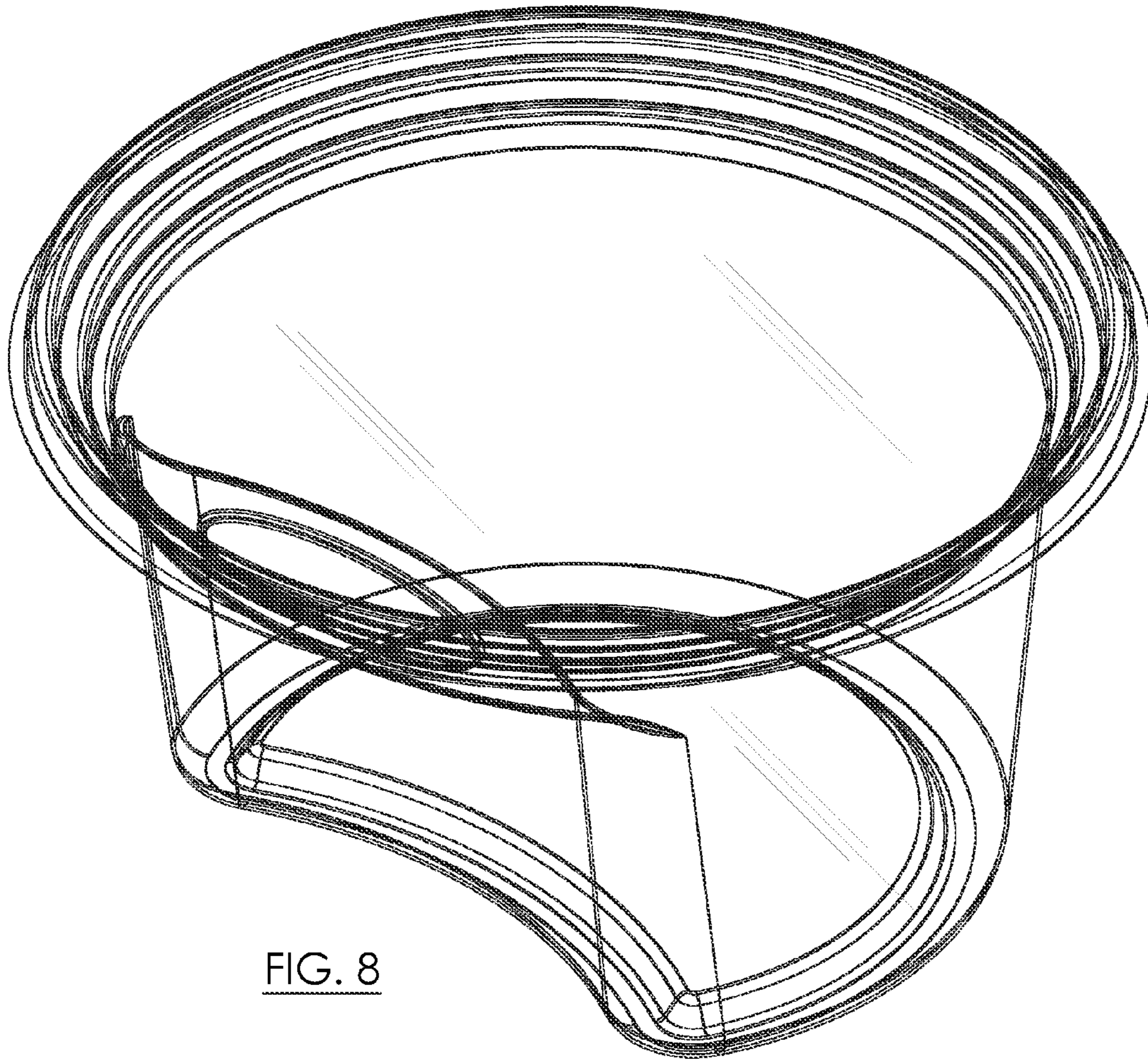


FIG. 8

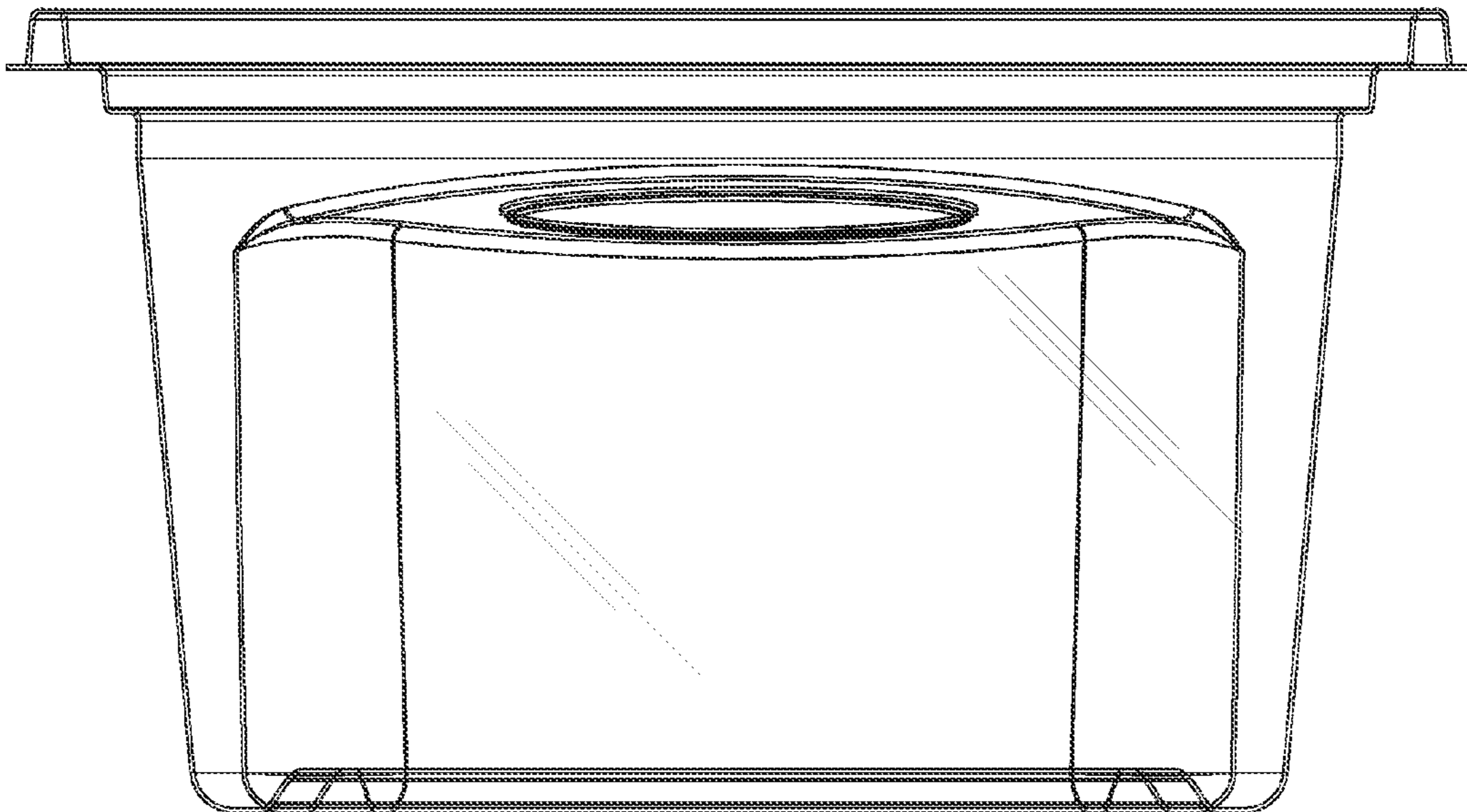


FIG. 9

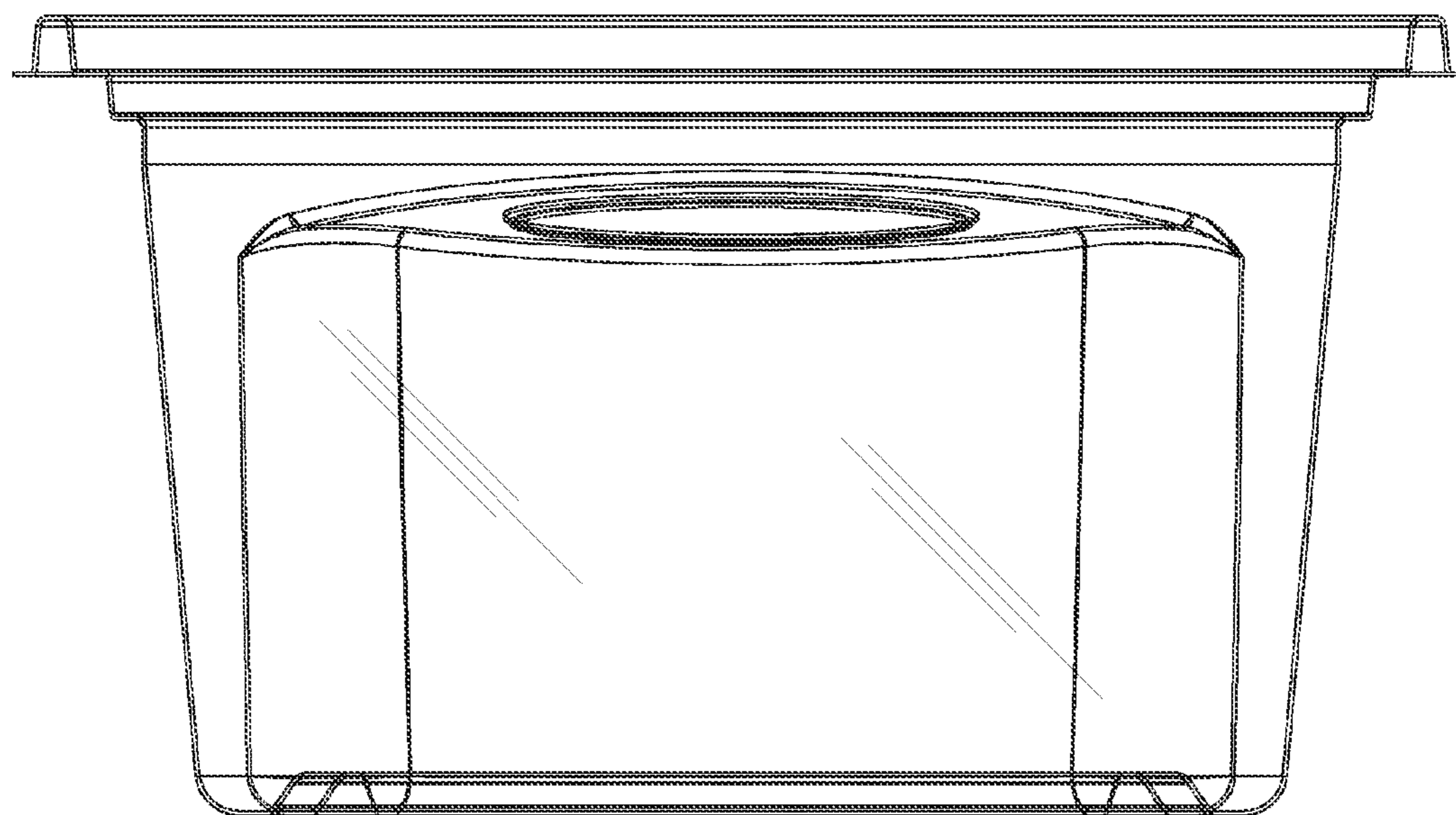


FIG. 10

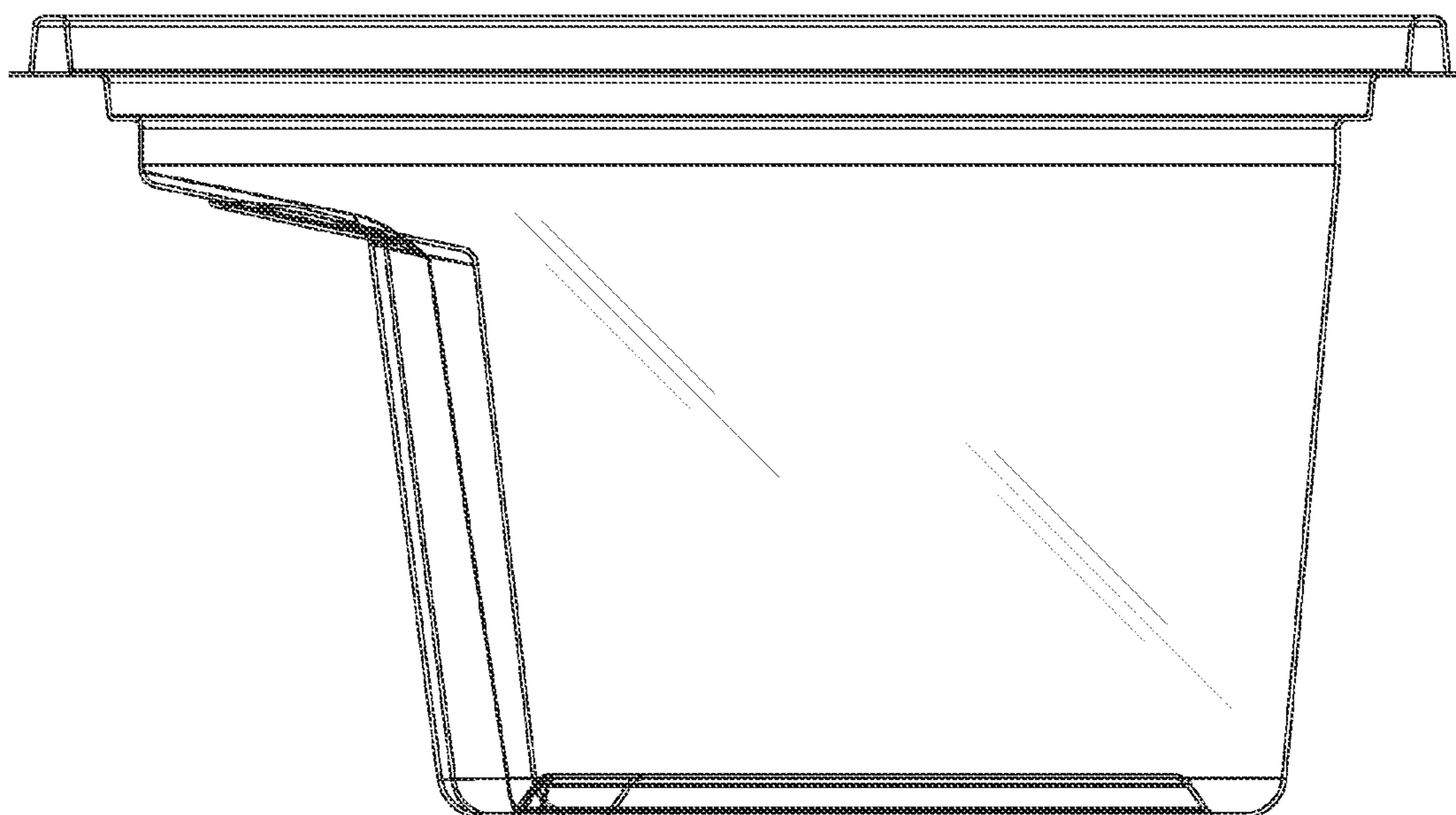


FIG. 11

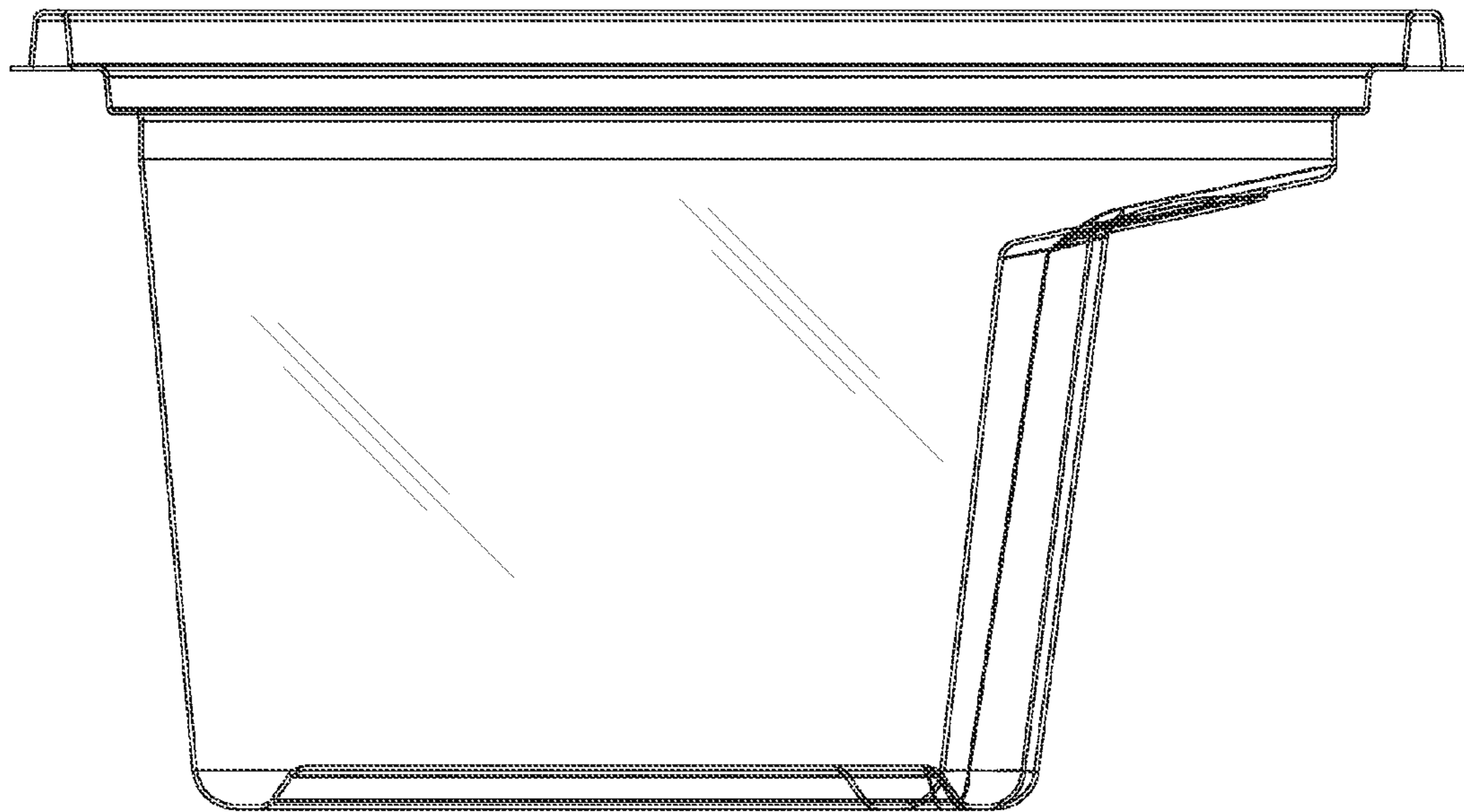


FIG. 12

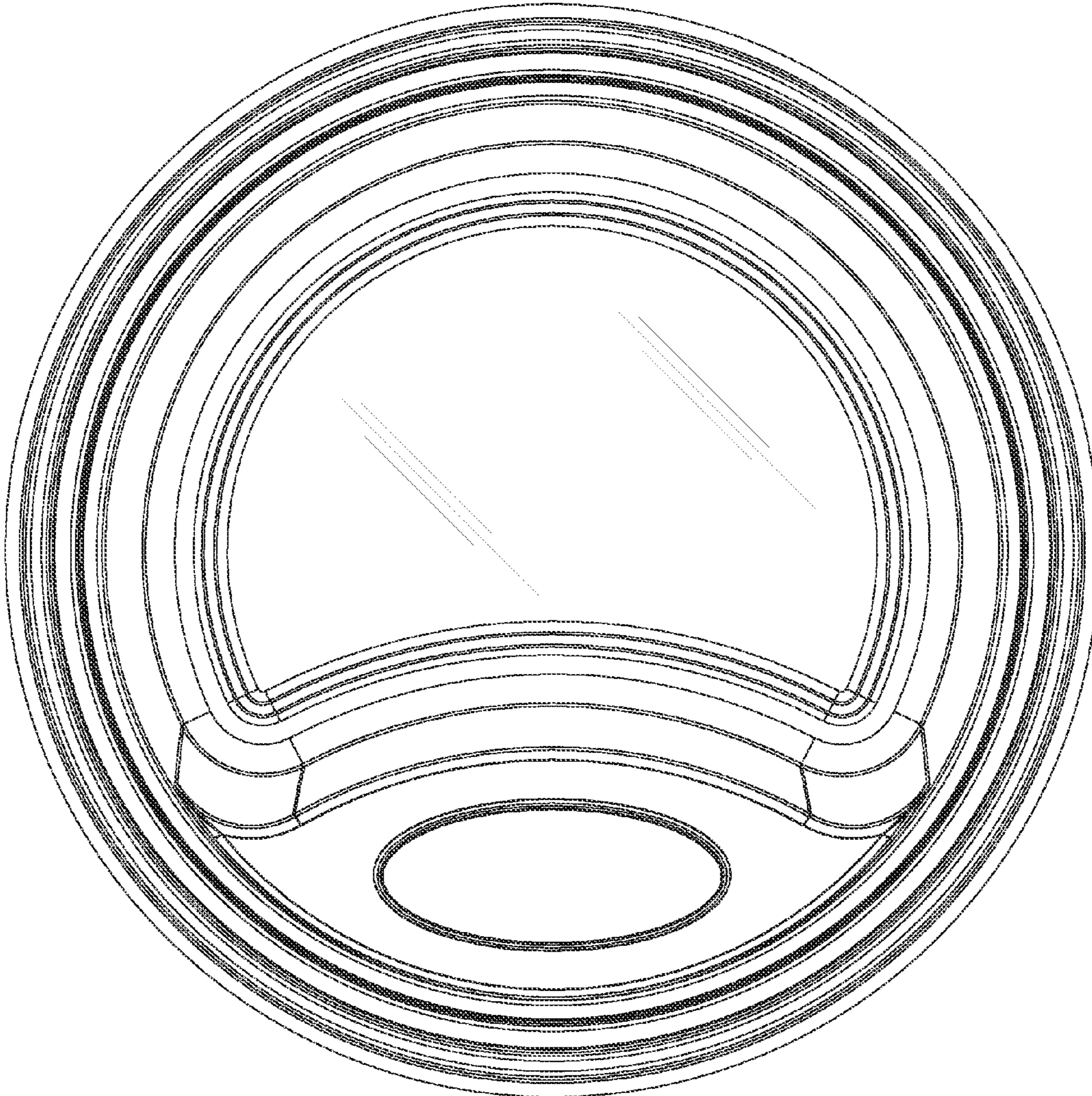


FIG. 13

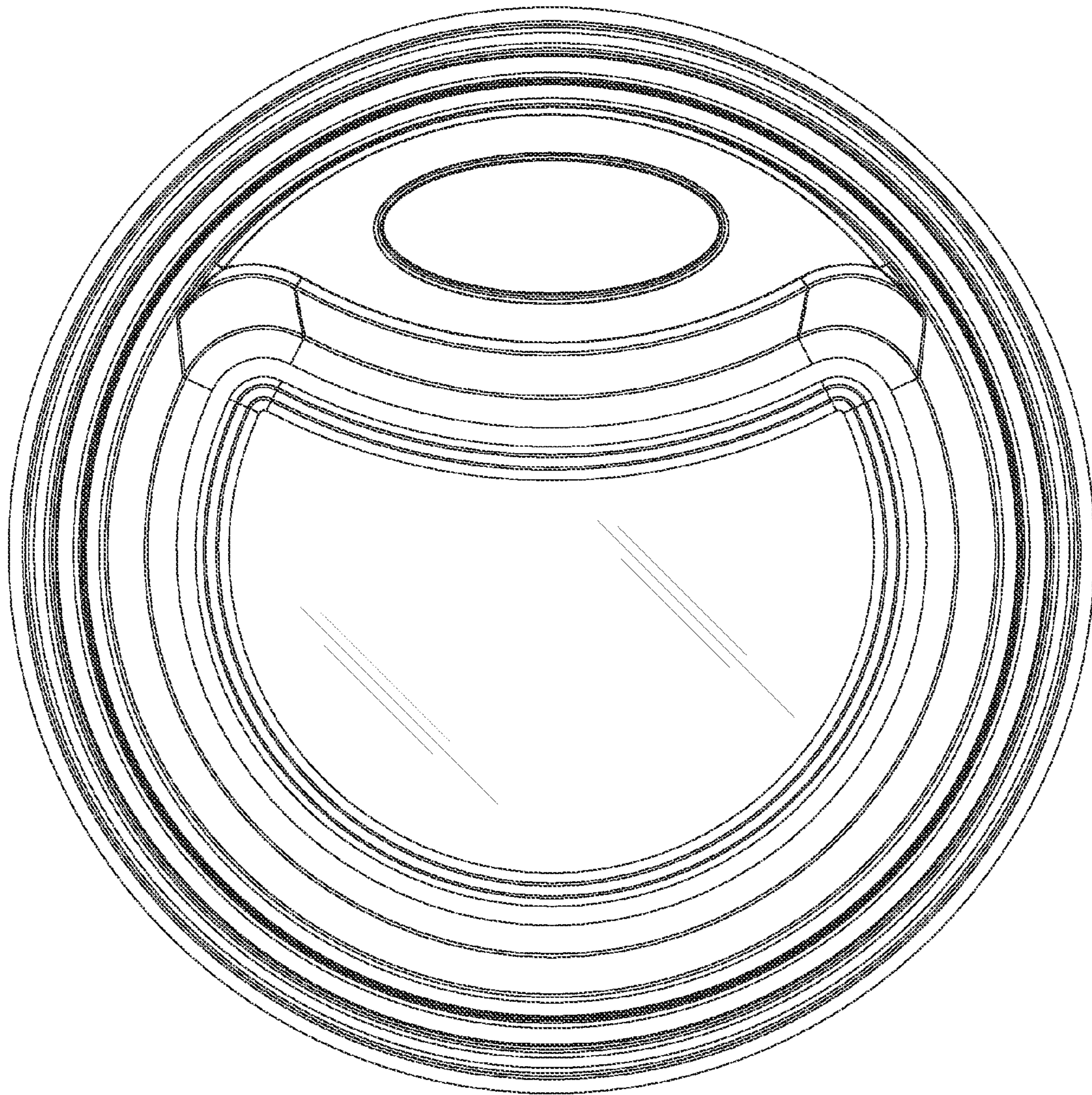


FIG. 14