



US00D645624S

(12) **United States Design Patent**
Rossano et al.

(10) **Patent No.:** **US D645,624 S**

(45) **Date of Patent:** **** Sep. 20, 2011**

(54) **TEN INCH WALL BRUSH**

(75) Inventors: **Martin Rossano**, Montreal (CA); **Eric Qiron**, Prevost (CA)

(73) Assignee: **CPA Pool Products, Inc.**, Quebec (CA)

(**) Term: **14 Years**

(21) Appl. No.: **29/365,244**

(22) Filed: **Jul. 7, 2010**

(51) **LOC (9) Cl.** **15-05**

(52) **U.S. Cl.** **D32/33**

(58) **Field of Classification Search** D32/50,
D32/17, 31-33, 22, 51, 38-40, 45, 25, 49;
15/182, 179, 168, 228, 319, 403, 209.1, 52,
15/1, 246.3, 320-322, 415.1-422.1, 414,
15/412, 354, 362, 366, 374, 400, 327.1, 329,
15/41.1, 42, 48, 171, 176.1, 159.1, 339, 208,
15/372, 385, 115, 106; 401/138-139; 68/222;
134/198, 105

See application file for complete search history.

(56) **References Cited**

U.S. PATENT DOCUMENTS

D175,227 S * 7/1955 Martinec D32/33
3,108,306 A * 10/1963 McWilliams 15/171

4,541,139 A * 9/1985 Jones et al. 15/171
D289,338 S * 4/1987 Sartori D32/50
D296,947 S * 7/1988 Roman D32/50
5,161,278 A * 11/1992 Tomm 15/159.1
D368,346 S * 3/1996 Kiefer D32/50
6,694,561 B1 * 2/2004 Harrison et al. 15/159.1
6,718,589 B2 * 4/2004 Kimbro 15/159.1
2007/0199169 A1 * 8/2007 Vosbikian et al. 15/106
2007/0226930 A1 * 10/2007 Libman et al. 15/159.1
2011/0041273 A1 * 2/2011 Boucherie 15/171

* cited by examiner

Primary Examiner — Ruth McInroy

(74) *Attorney, Agent, or Firm* — Baker & Rannells, PA

(57) **CLAIM**

We claim the ornamental design for a ten inch wall brush, as shown and described.

DESCRIPTION

FIG. 1 is a perspective view of a ten inch wall brush, showing our new design;

FIG. 2 is a front elevational view thereof;

FIG. 3 is a rear elevational view thereof;

FIG. 4 is a left side elevational view thereof;

FIG. 5 is a right side elevational view thereof;

FIG. 6 is a top plan view thereof; and,

FIG. 7 is a bottom plan view thereof.

1 Claim, 7 Drawing Sheets

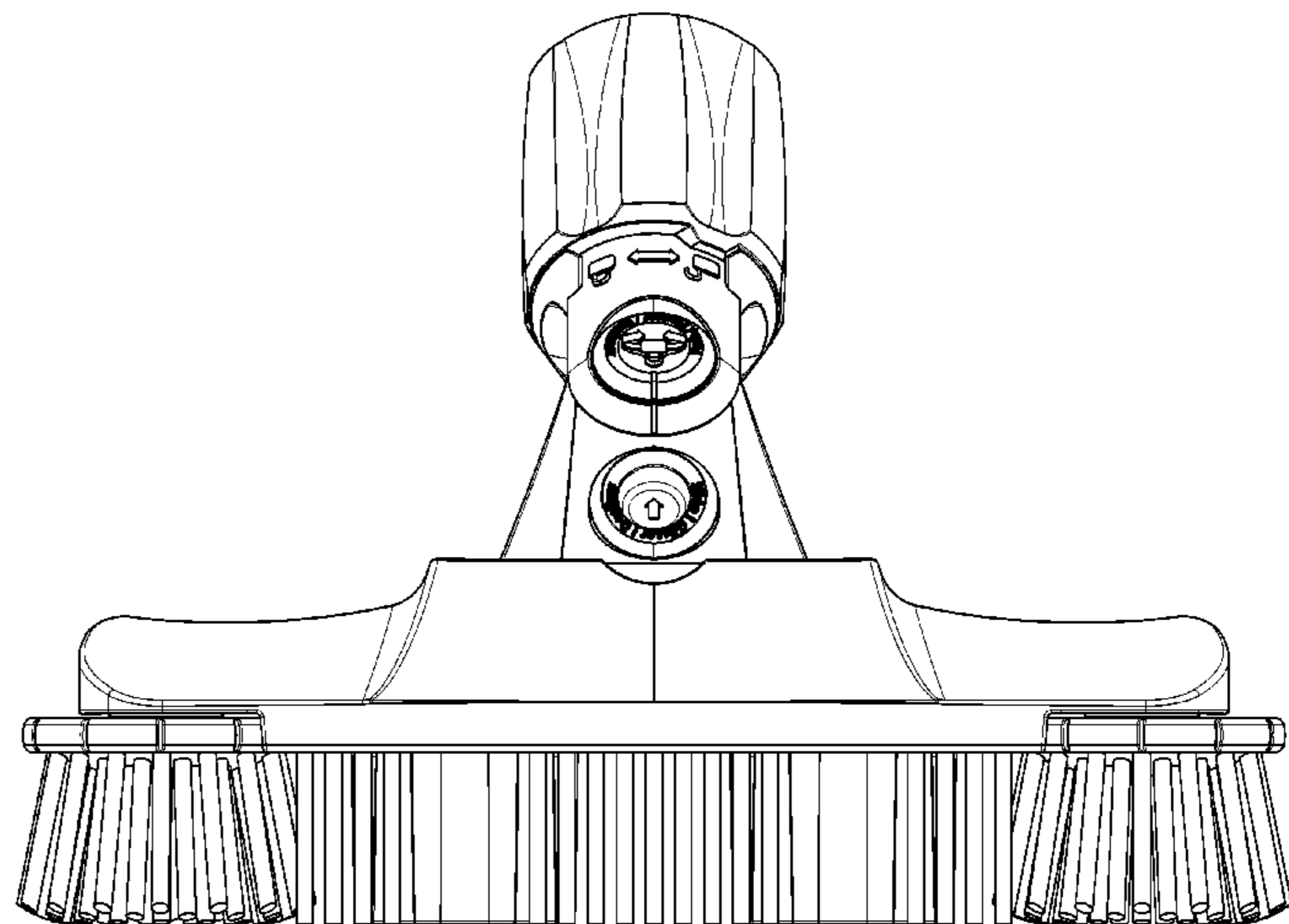
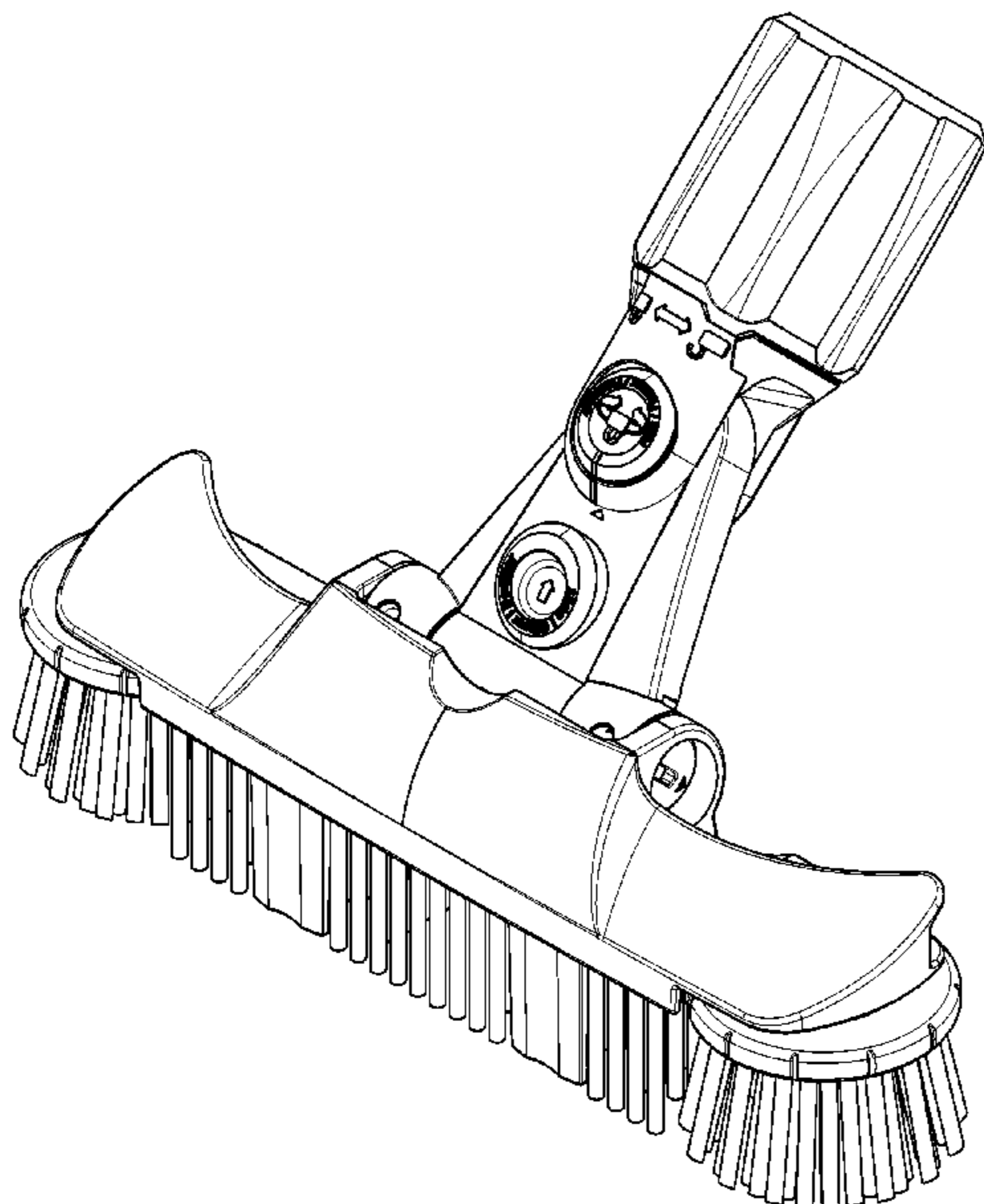


Fig. 1

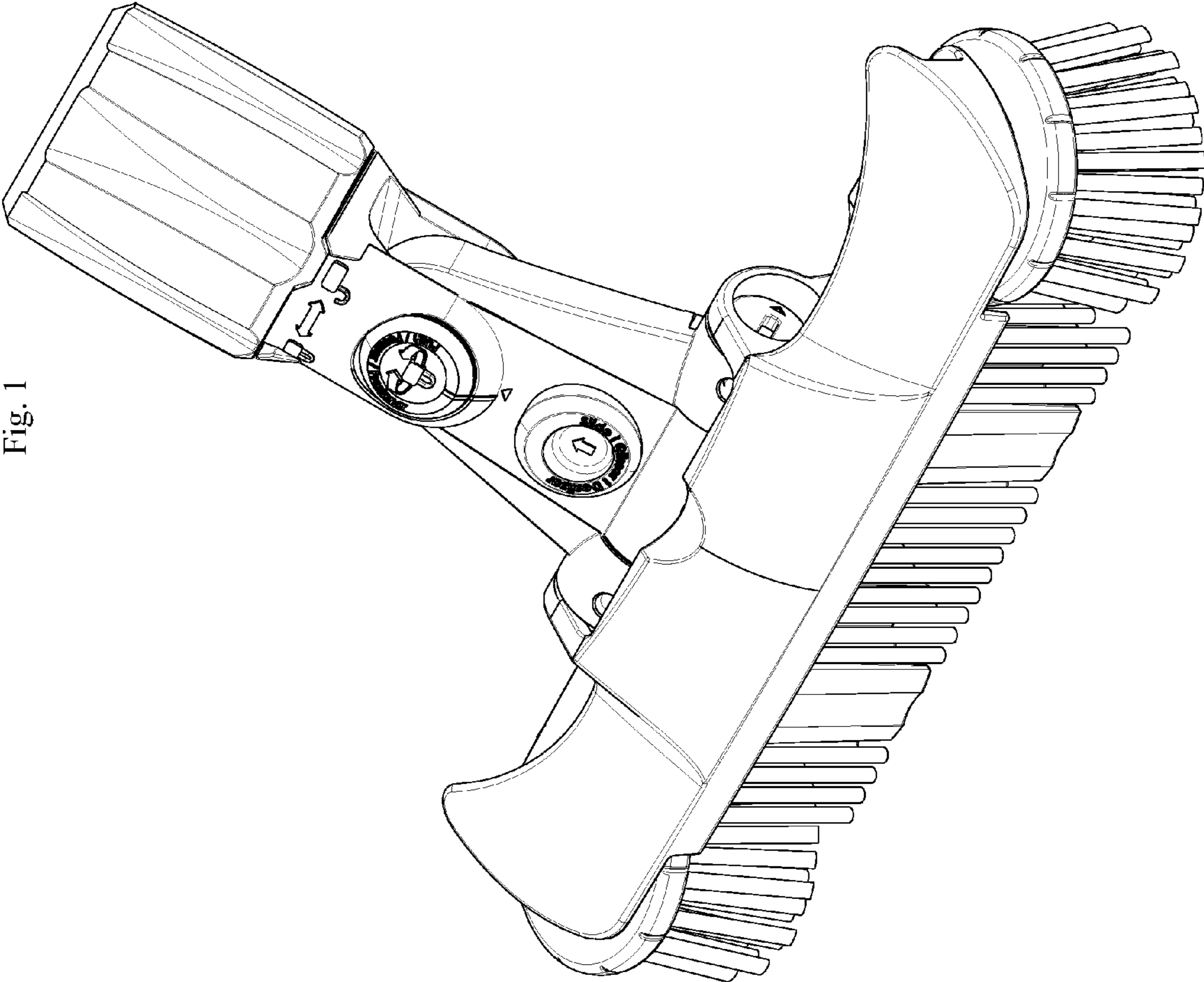


Fig. 2

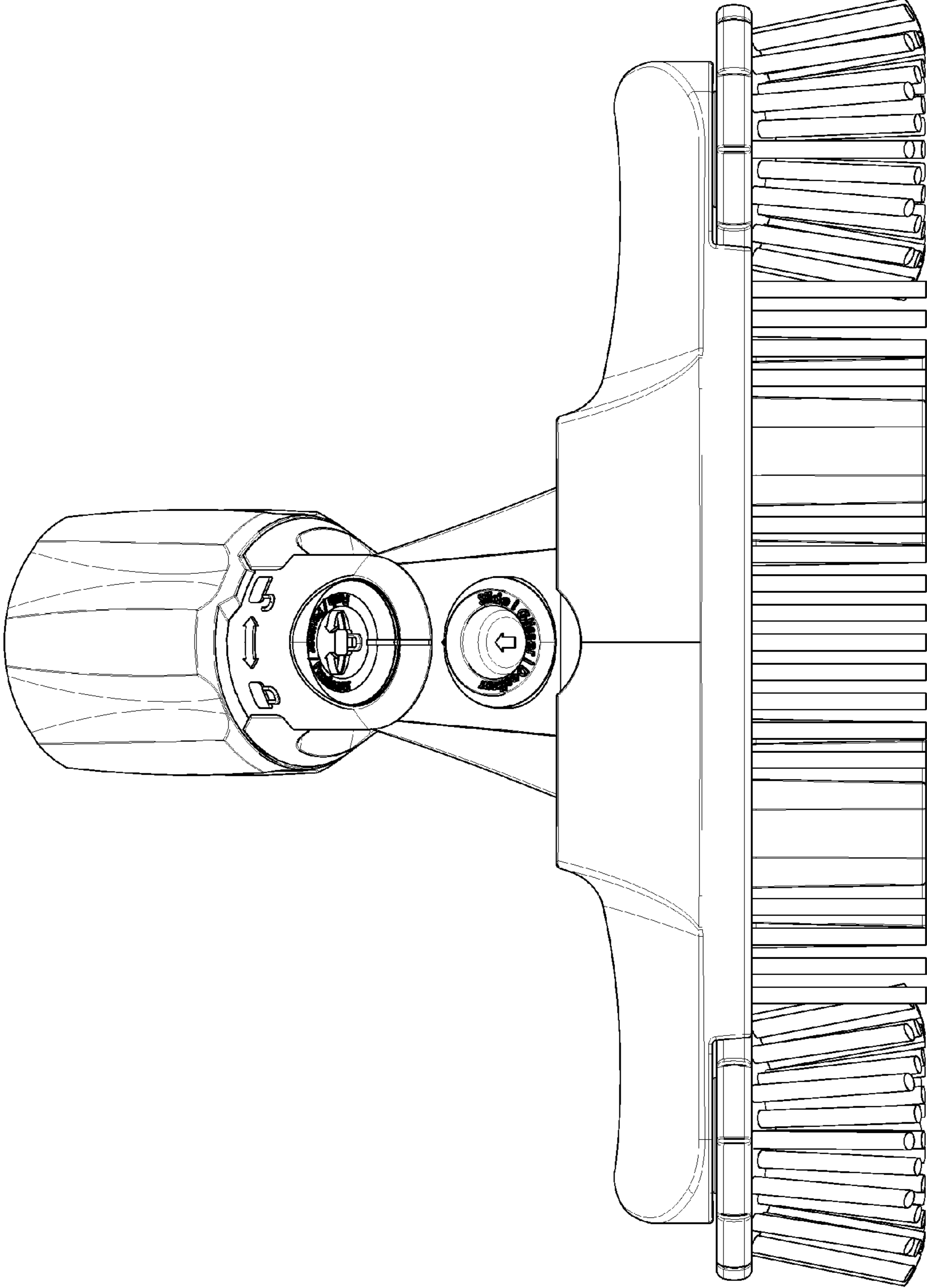


Fig. 3

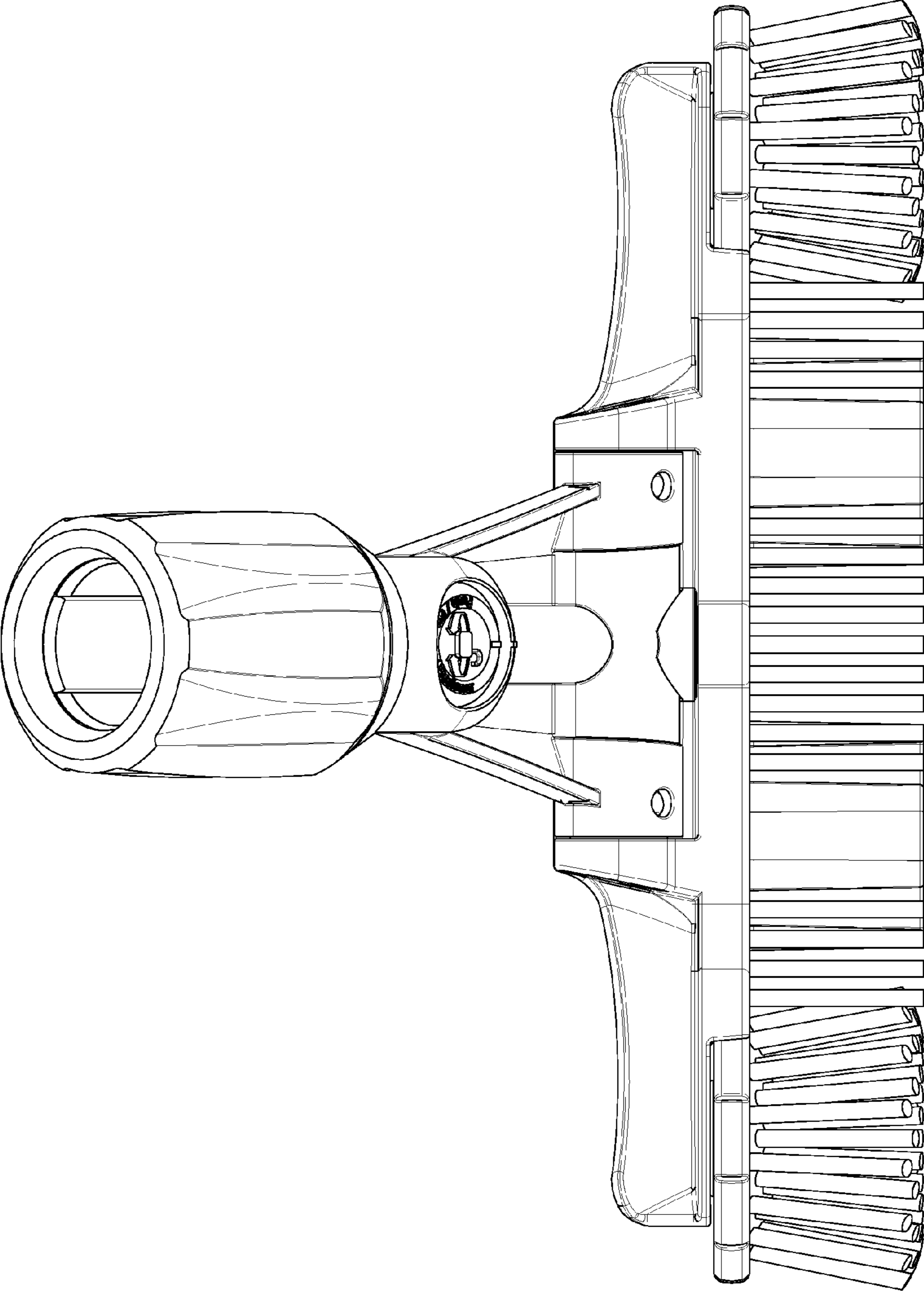


Fig. 4

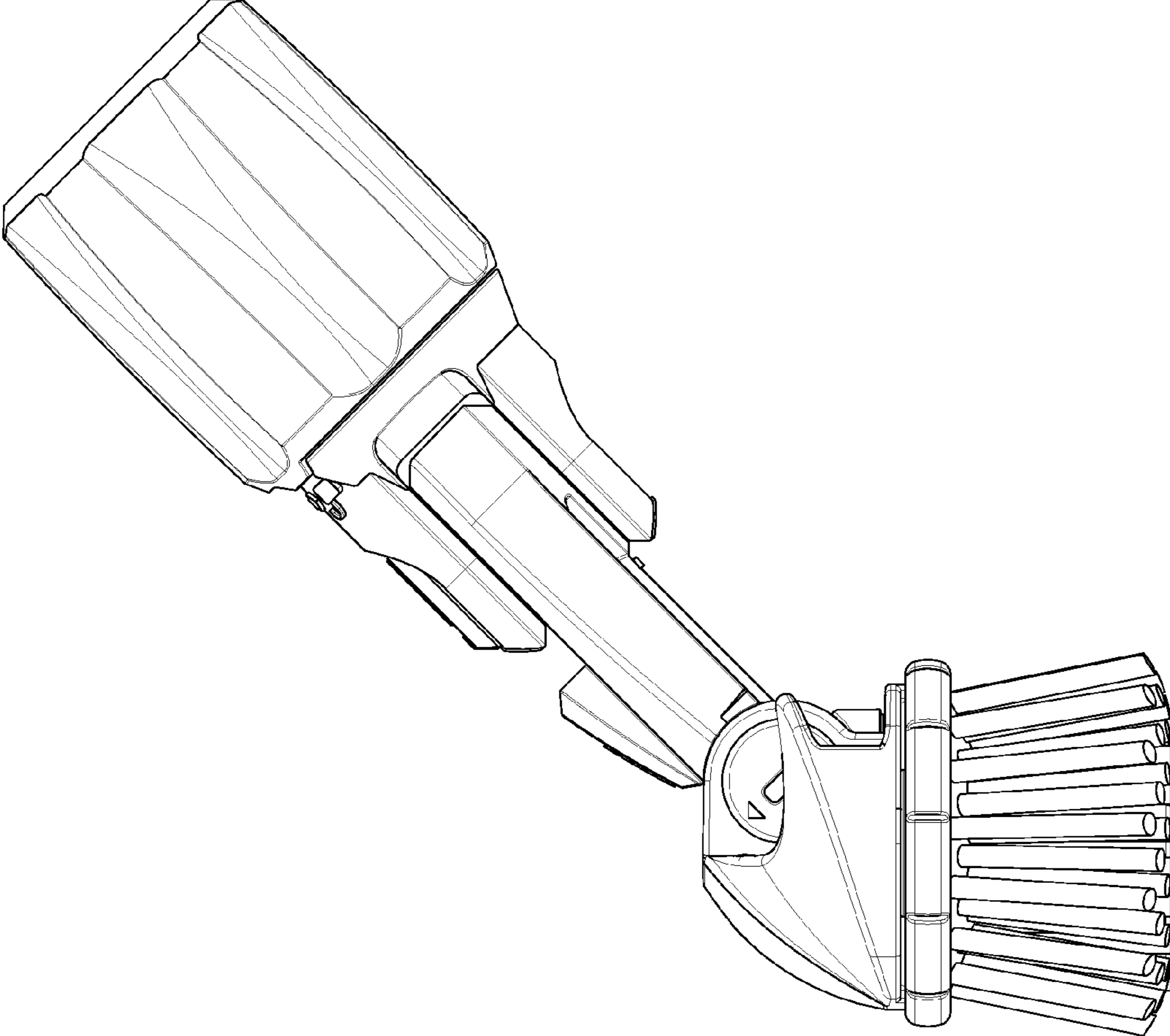


Fig. 5

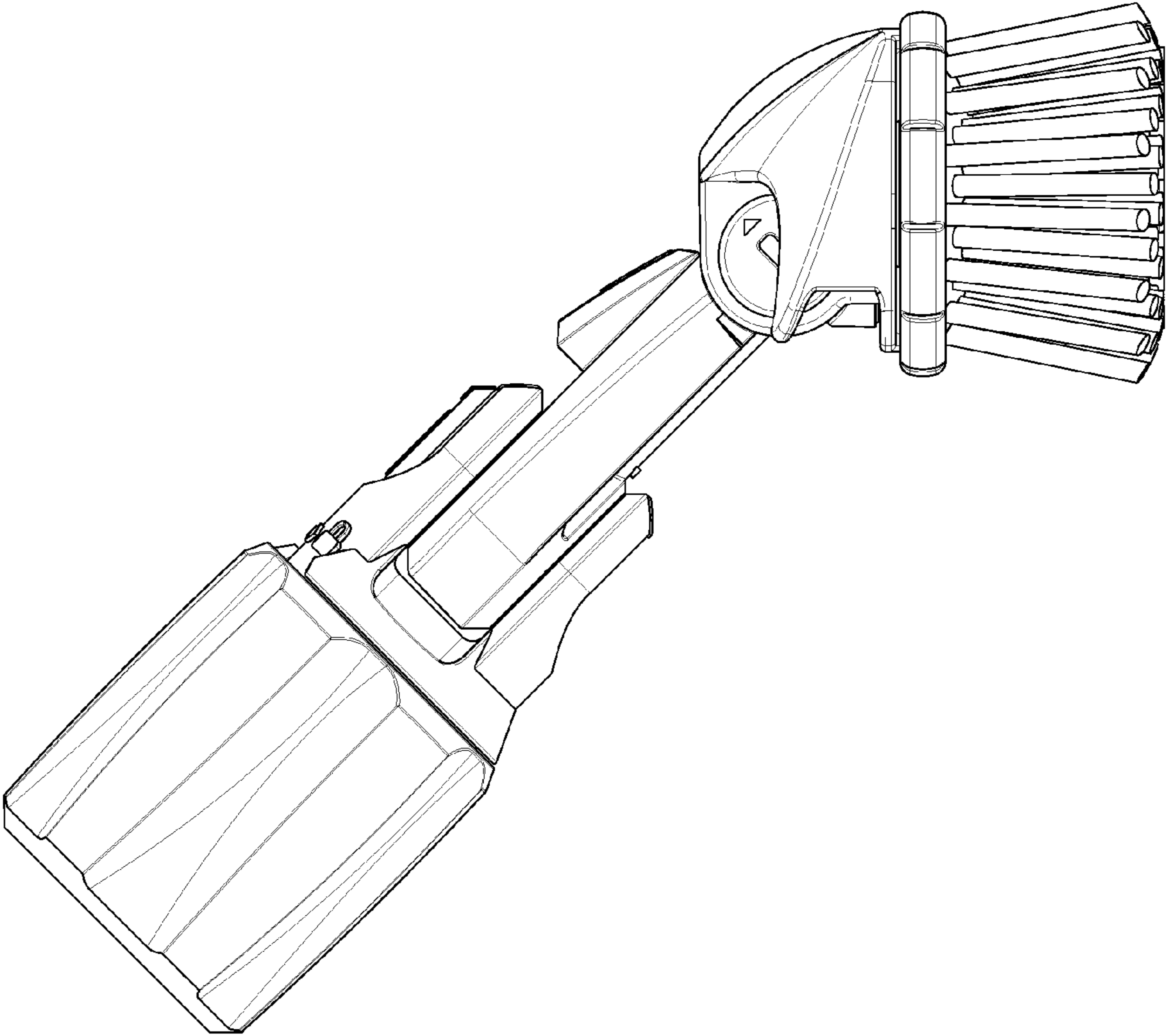


Fig. 6

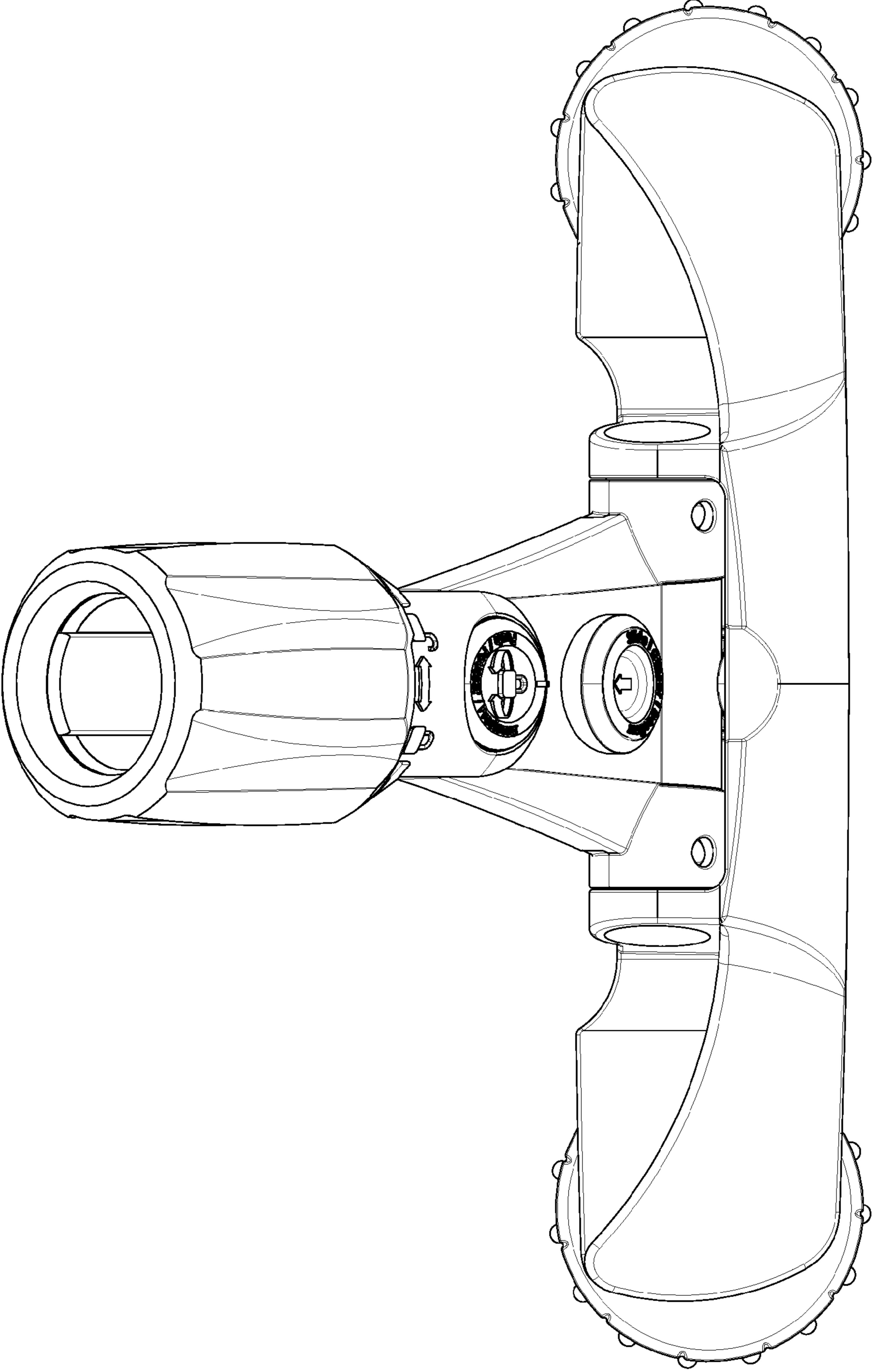


Fig. 7

