



US00D645623S

(12) **United States Design Patent**  
**Helot et al.**

(10) **Patent No.:** **US D645,623 S**

(45) **Date of Patent:** **\*\* Sep. 20, 2011**

(54) **LAUNDRY APPLIANCE**

(75) Inventors: **Jacques Helot**, München (DE); **Andrew Roberson**, Long Beach, CA (US); **Carsten Weber**, Aalen (DE)

(73) Assignee: **BSH Home Appliances Corporation**, Huntington Beach, CA (US)

(\*\*) Term: **14 Years**

(21) Appl. No.: **29/387,183**

(22) Filed: **Mar. 10, 2011**

**Related U.S. Application Data**

(62) Division of application No. 29/369,458, filed on Sep. 9, 2010, which is a division of application No. 29/341,075, filed on Jul. 30, 2009, now Pat. No. Des. 628,755.

(51) **LOC (9) Cl.** ..... **15-05**

(52) **U.S. Cl.** ..... **D32/25**

(58) **Field of Classification Search** ..... D32/1, D32/5-6, 8, 10, 25; 34/523-524; 312/31; 68/3 R, 5 R, 12.01, 12.08; 38/1 A  
See application file for complete search history.

(56) **References Cited**

**U.S. PATENT DOCUMENTS**

|              |    |   |         |                     |       |           |
|--------------|----|---|---------|---------------------|-------|-----------|
| D326,381     | S  | * | 5/1992  | Heiligenthal et al. | ..... | D6/510    |
| D474,566     | S  | * | 5/2003  | Baldwin et al.      | ..... | D32/25    |
| D504,259     | S  | * | 4/2005  | Arceta              | ..... | D6/510    |
| D549,408     | S  | * | 8/2007  | Lee                 | ..... | D32/25    |
| D568,556     | S  | * | 5/2008  | Gruetzke et al.     | ..... | D32/6     |
| D572,418     | S  | * | 7/2008  | Suh et al.          | ..... | D32/6     |
| D607,619     | S  | * | 1/2010  | Kim                 | ..... | D32/6     |
| D613,009     | S  | * | 3/2010  | DeSalvo et al.      | ..... | D32/6     |
| D614,366     | S  | * | 4/2010  | Shor                | ..... | D32/6     |
| D618,863     | S  | * | 6/2010  | Jeon et al.         | ..... | D32/6     |
| D620,211     | S  | * | 7/2010  | Shail               | ..... | D32/25    |
| D627,115     | S  | * | 11/2010 | Jeon et al.         | ..... | D32/6     |
| D631,624     | S  | * | 1/2011  | Chung et al.        | ..... | D32/6     |
| D633,670     | S  | * | 3/2011  | Gruetzke et al.     | ..... | D32/25    |
| 2004/0263032 | A1 | * | 12/2004 | Cho                 | ..... | 312/330.1 |
| 2011/0030428 | A1 | * | 2/2011  | Han et al.          | ..... | 68/5 R    |

\* cited by examiner

*Primary Examiner* — T. Chase Nelson

*Assistant Examiner* — Kathleen M Sims

(74) *Attorney, Agent, or Firm* — James E. Howard; Andre Pallapies

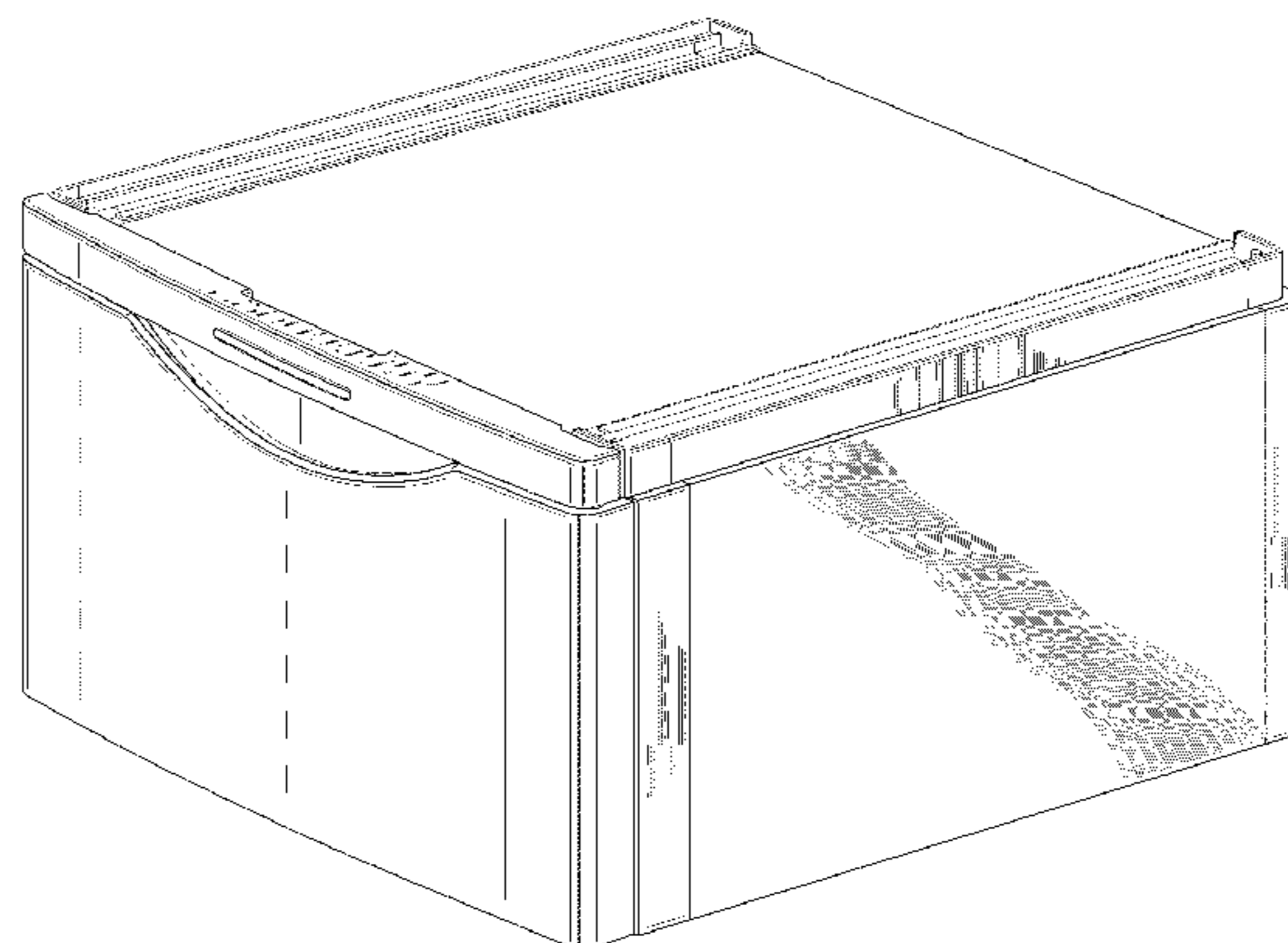
(57) **CLAIM**

The ornamental design for a laundry appliance, as shown and described.

**DESCRIPTION**

FIG. 1 is a perspective view from the front, right side of a base pedestal for a laundry appliance showing our new design; FIG. 2 is a front view thereof; FIG. 3 is a left side view thereof with the right side view thereof being a mirror image thereof; FIG. 4 is a top view thereof; FIGS. 5-8 correspond to FIGS. 1-4 and show the base pedestal of the laundry appliance in conjunction with a washer shown in broken lines; FIG. 9 is a perspective view from the front, left side of an intermediate pedestal of the laundry appliance; FIG. 10 is a front view thereof; FIG. 11 is a left side view thereof with the right side view thereof being a mirror image thereof; FIG. 12 is a top view thereof; FIG. 13 is a perspective view from the front, right side of a stacked base pedestal and intermediate pedestal for a laundry appliance; FIG. 14 is a front view thereof; FIG. 15 is a left side view thereof with the right side view thereof being a mirror image thereof; FIG. 16 is a top view thereof; FIGS. 17-20 correspond to FIGS. 13-16 and show the base pedestal in conjunction with a washer shown in broken lines; and, FIGS. 21-23 show the intermediate pedestal of FIGS. 9-12 in conjunction with a washer shown in broken lines. The broken lines represent environment or structure and do not form any part of the claimed design. The rear and bottom views of each embodiment are unornamented and/or unclaimed and are therefore not provided.

**1 Claim, 22 Drawing Sheets**



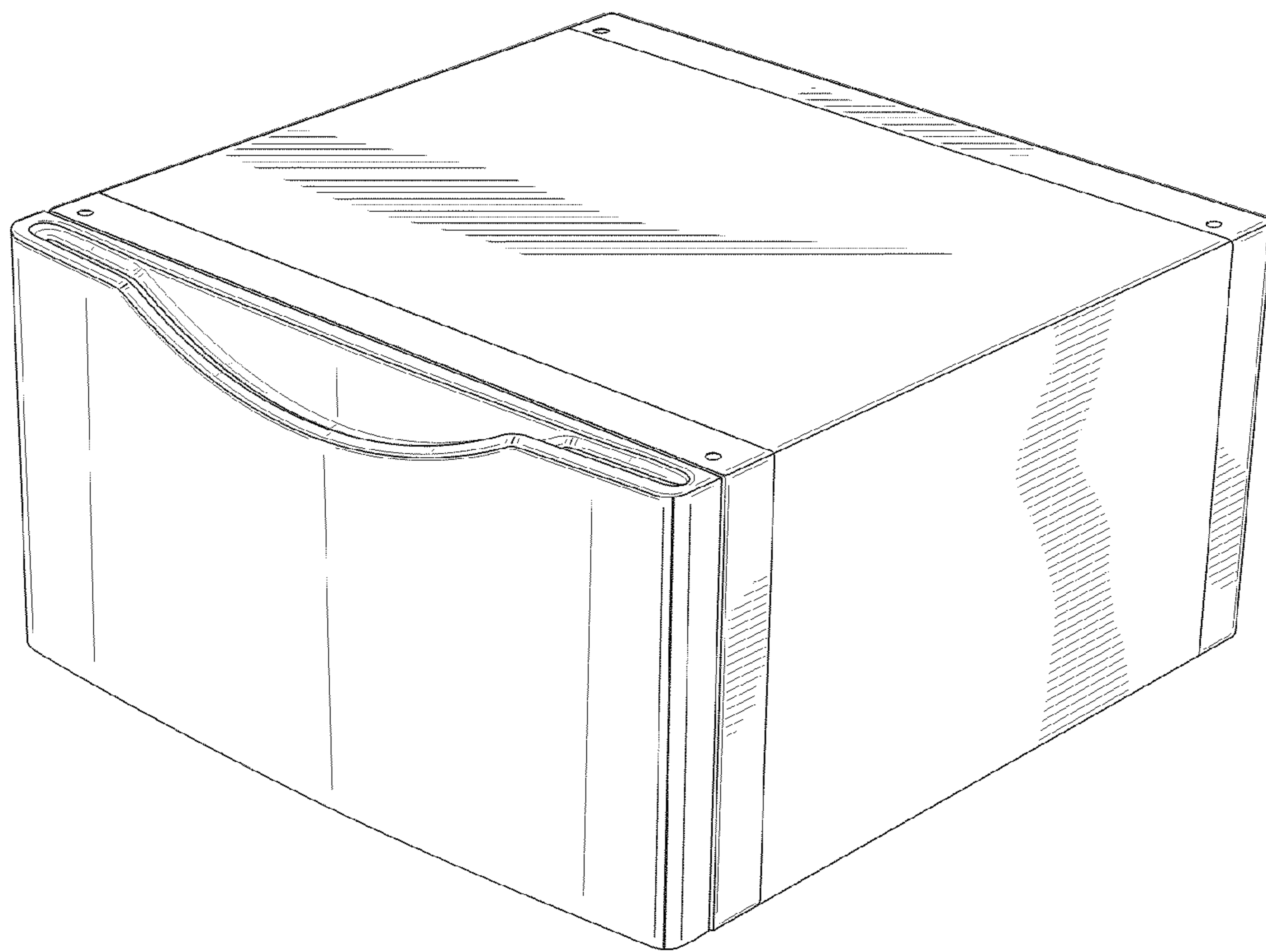


Fig. 1

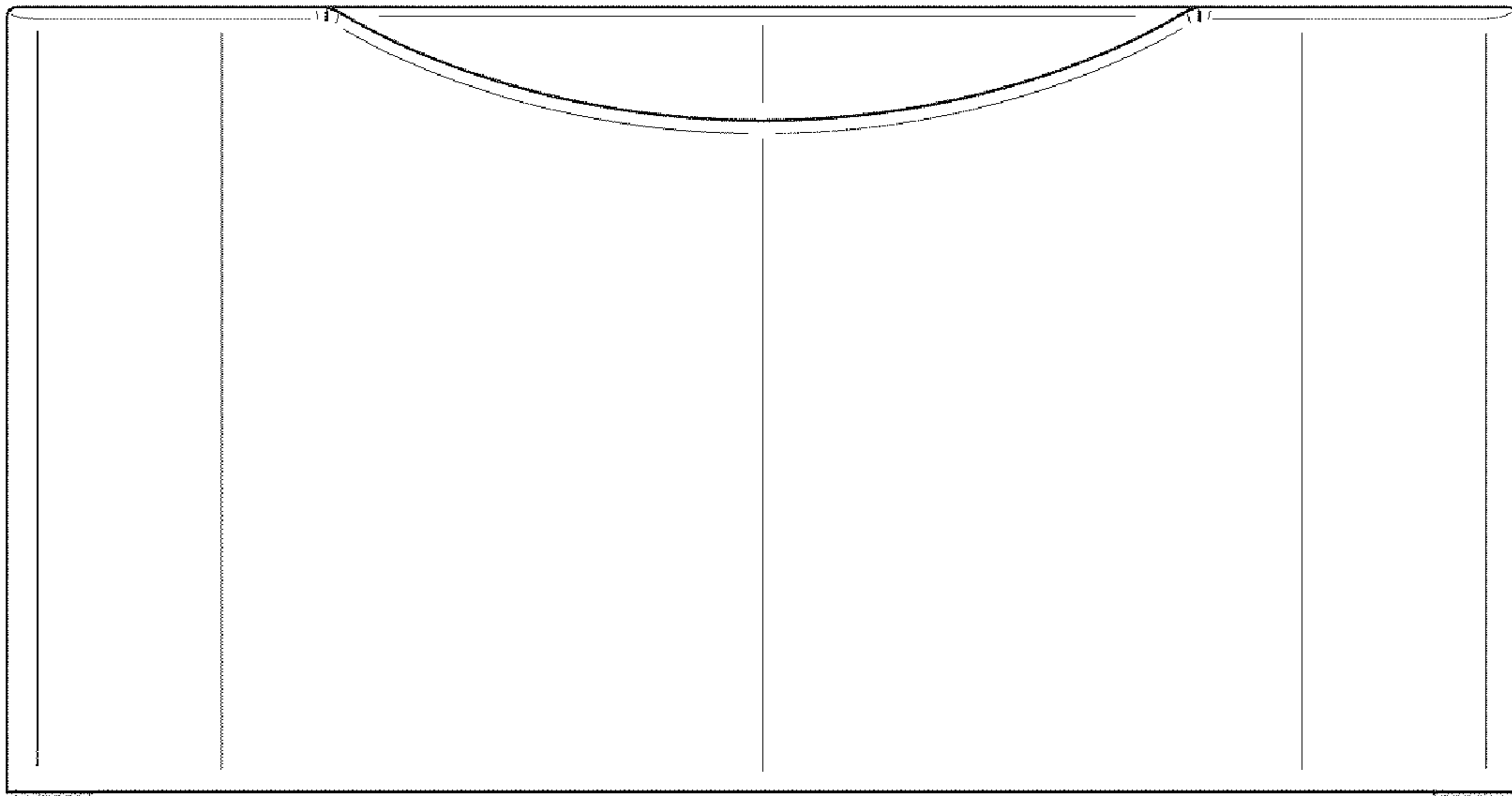


Fig. 2

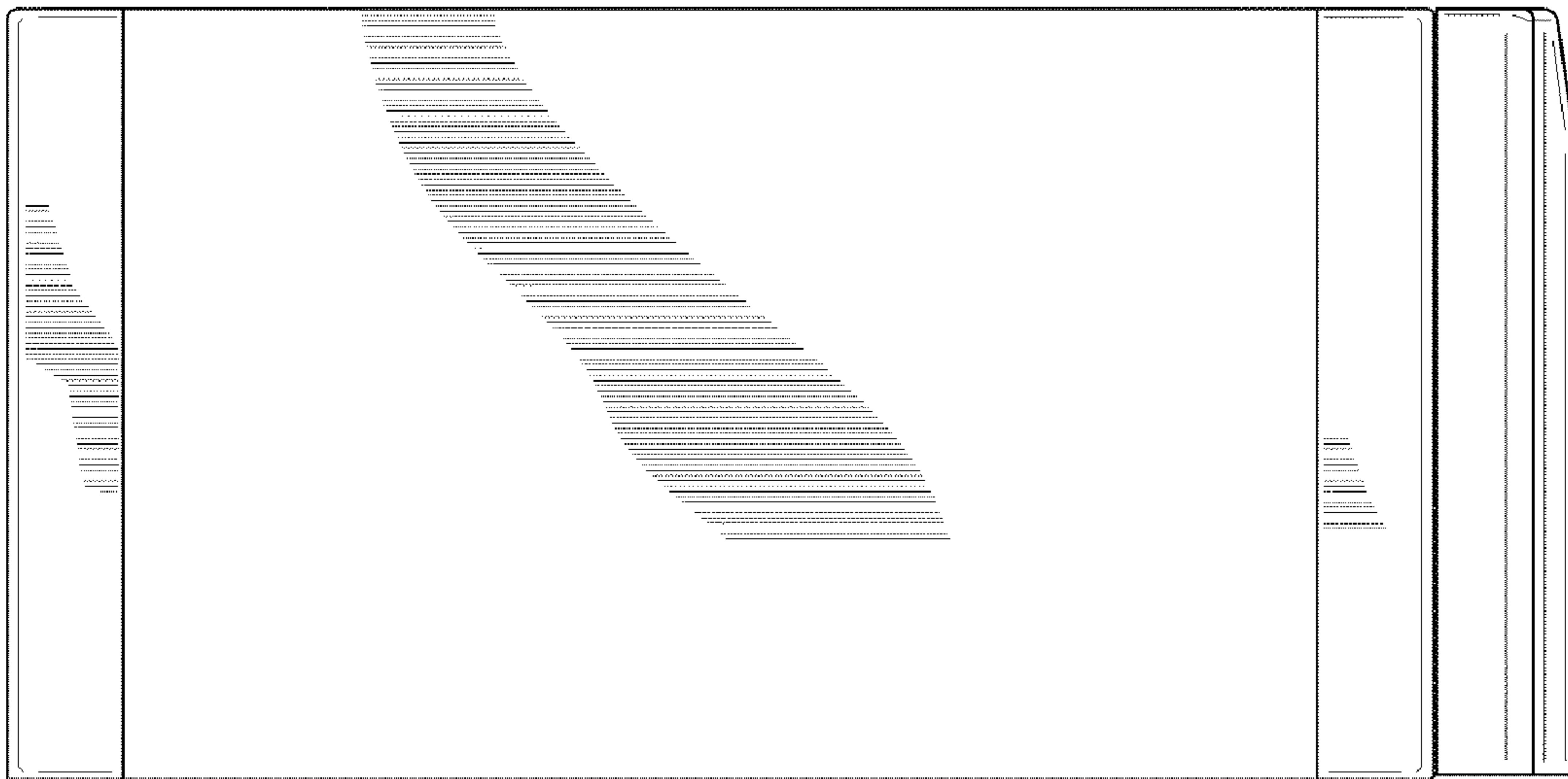


Fig. 3

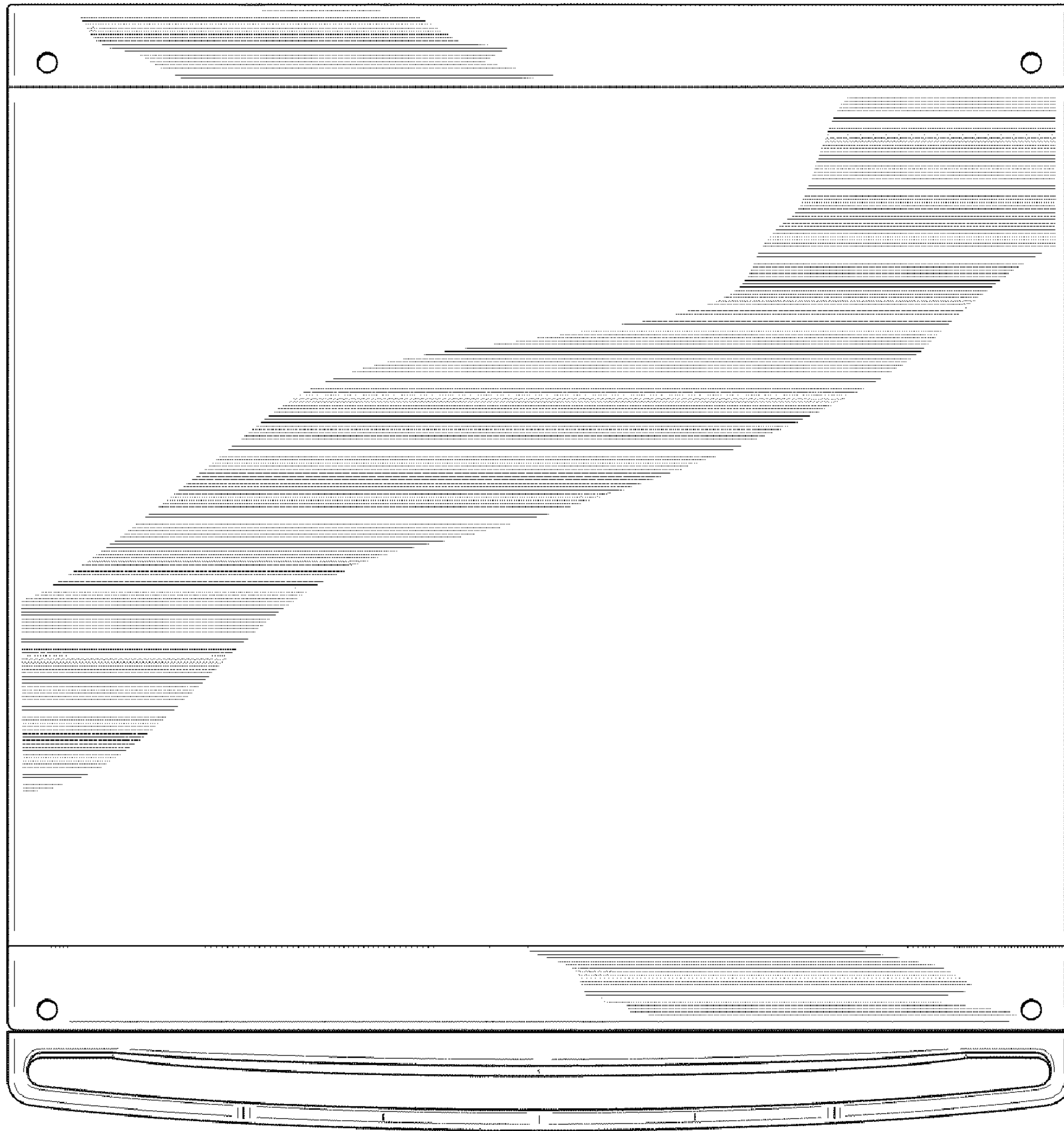


Fig. 4

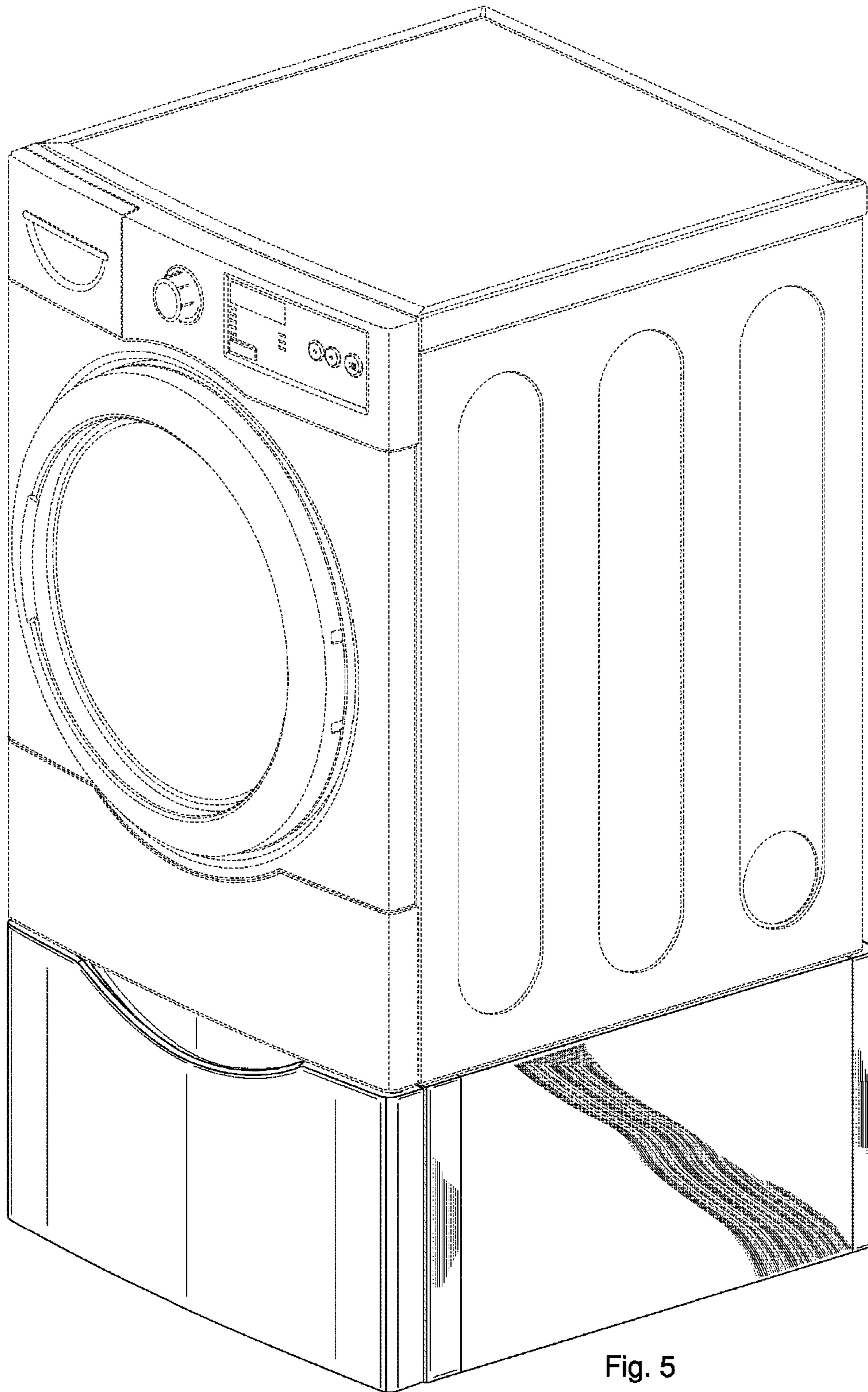


Fig. 5

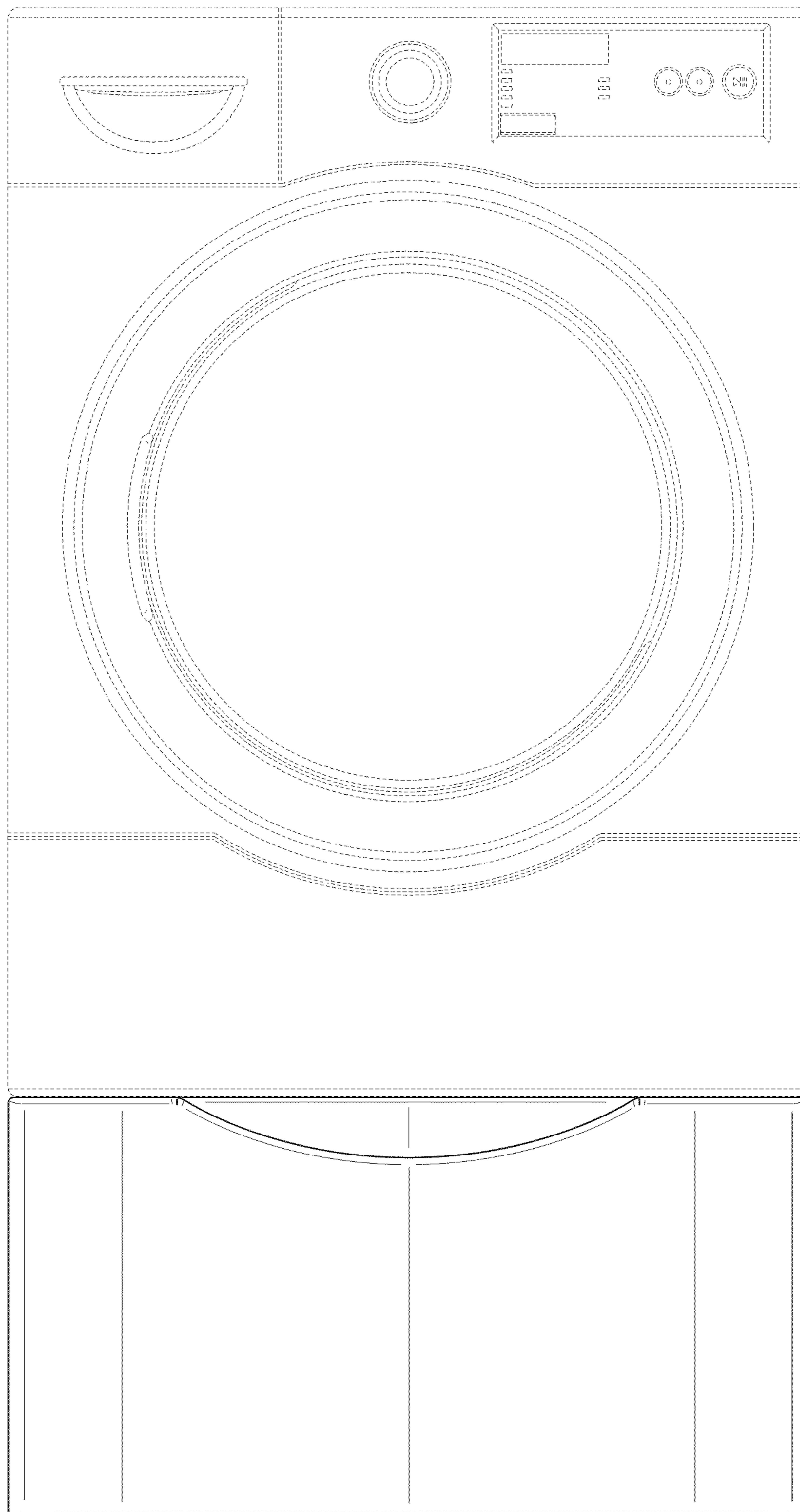


Fig. 6

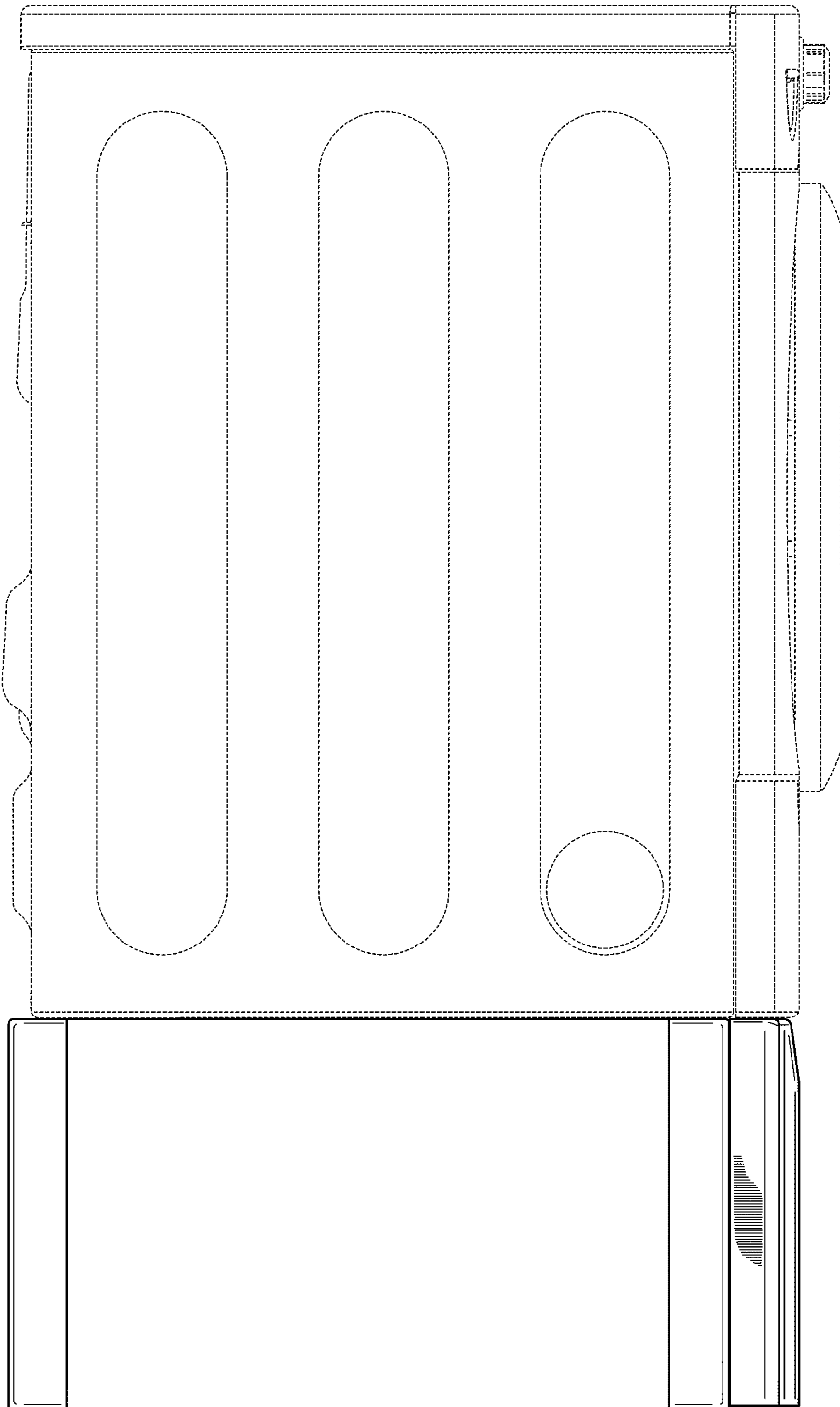


Fig. 7



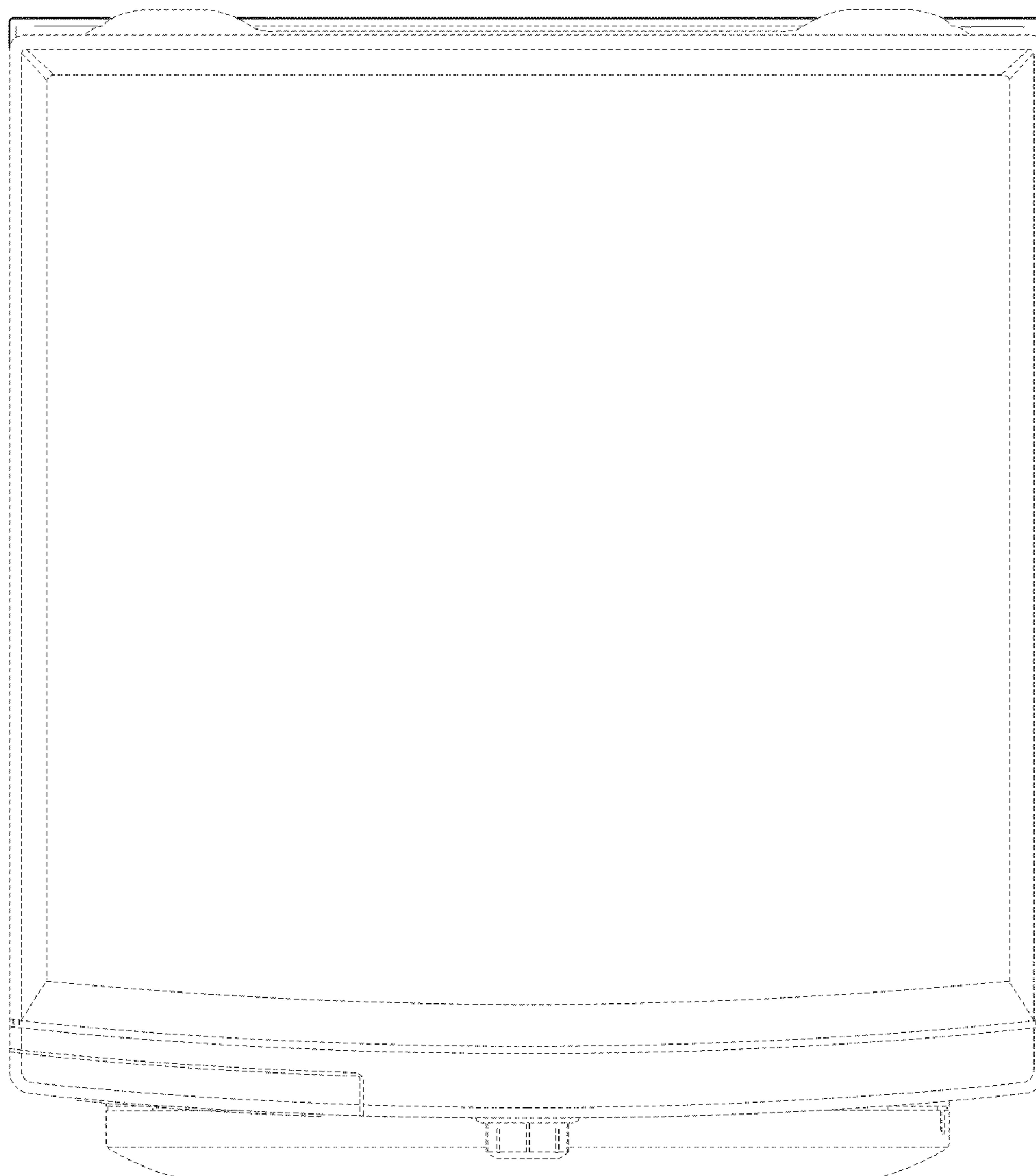


Fig. 8

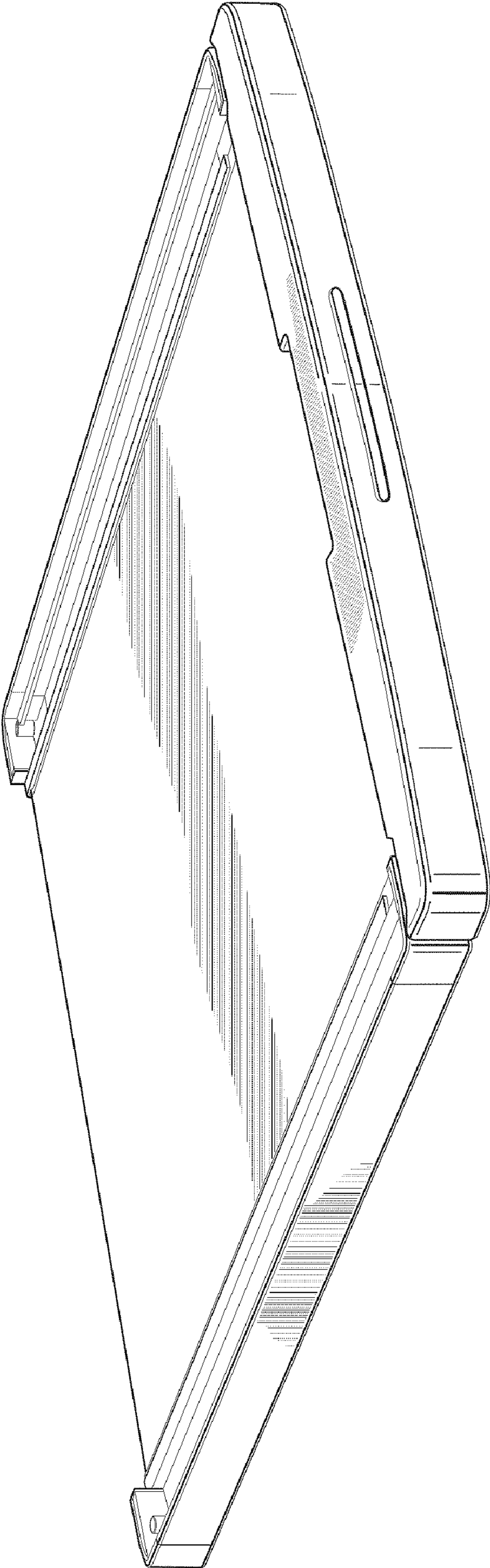


Fig. 9

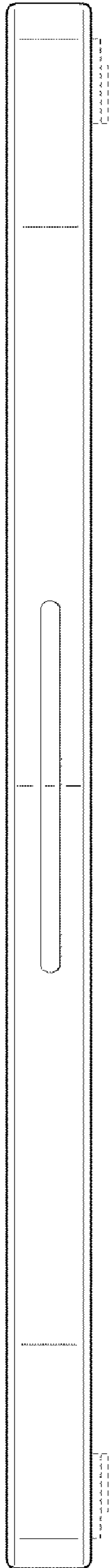


Fig. 10

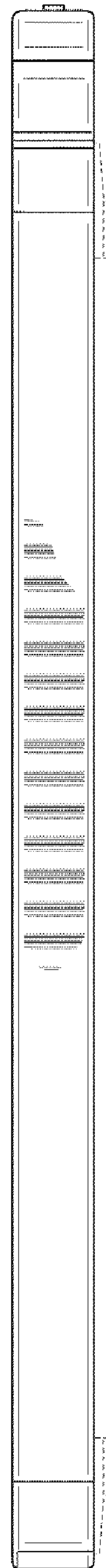


Fig. 11

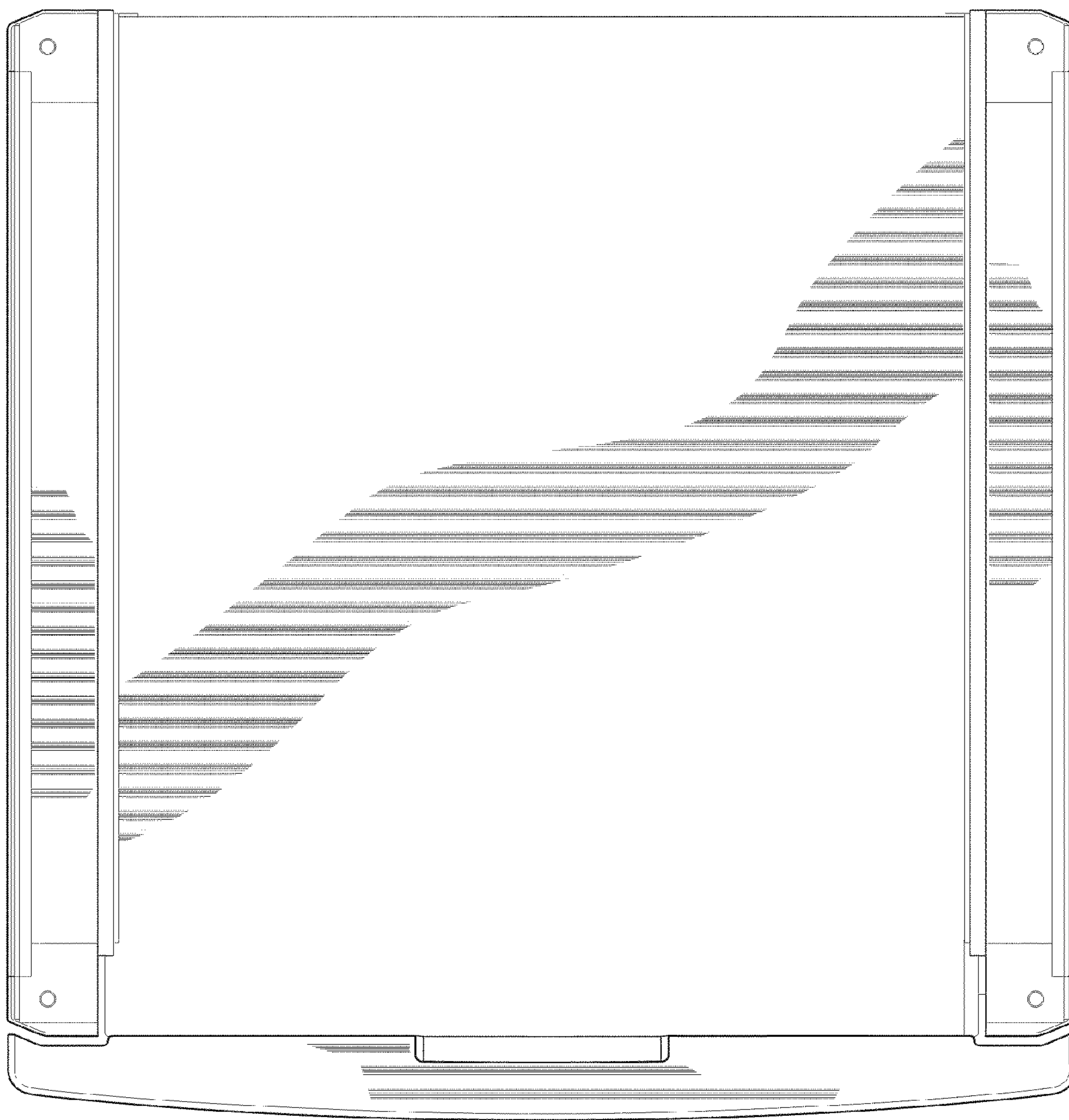


Fig. 12

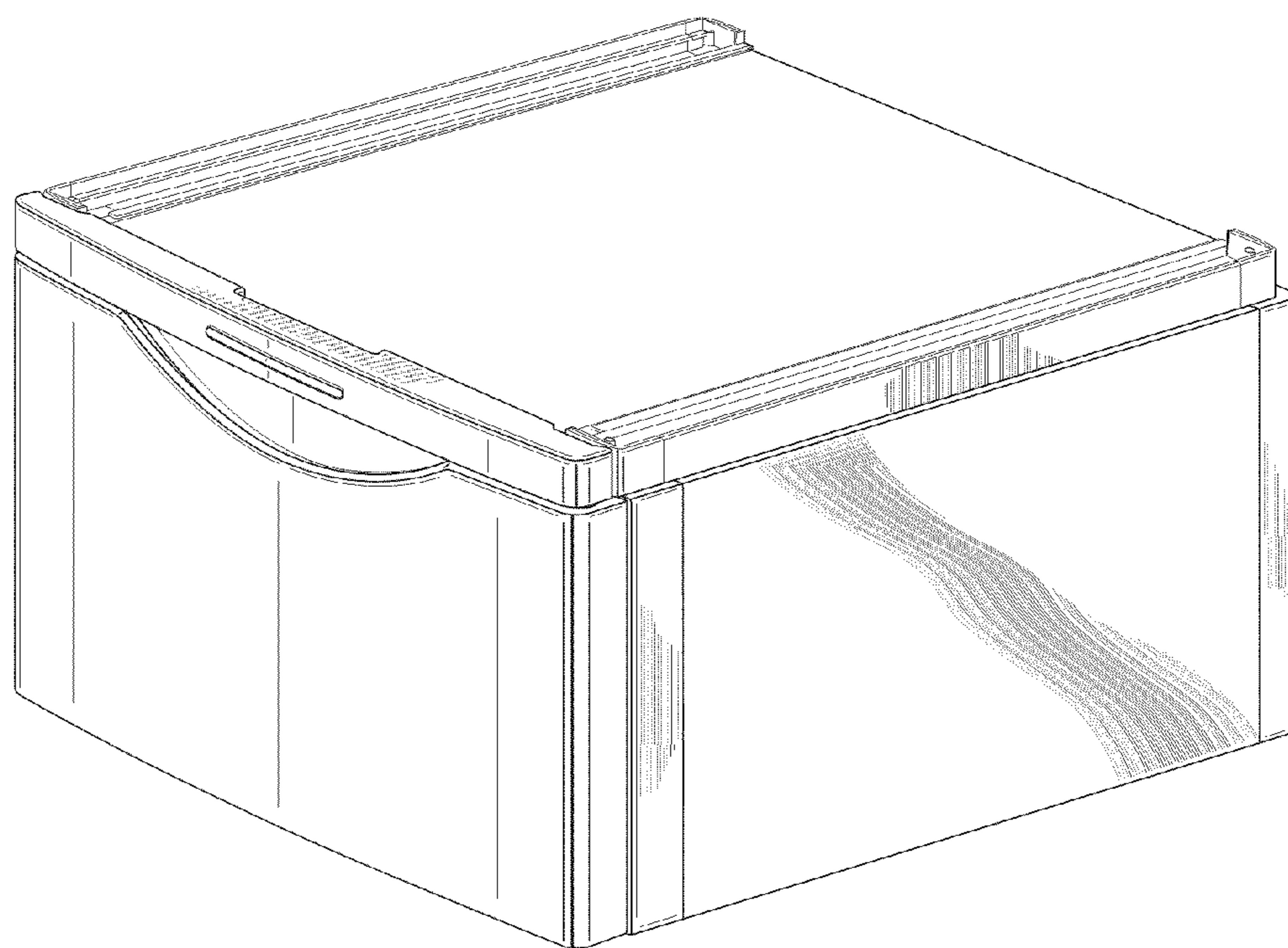


Fig. 13

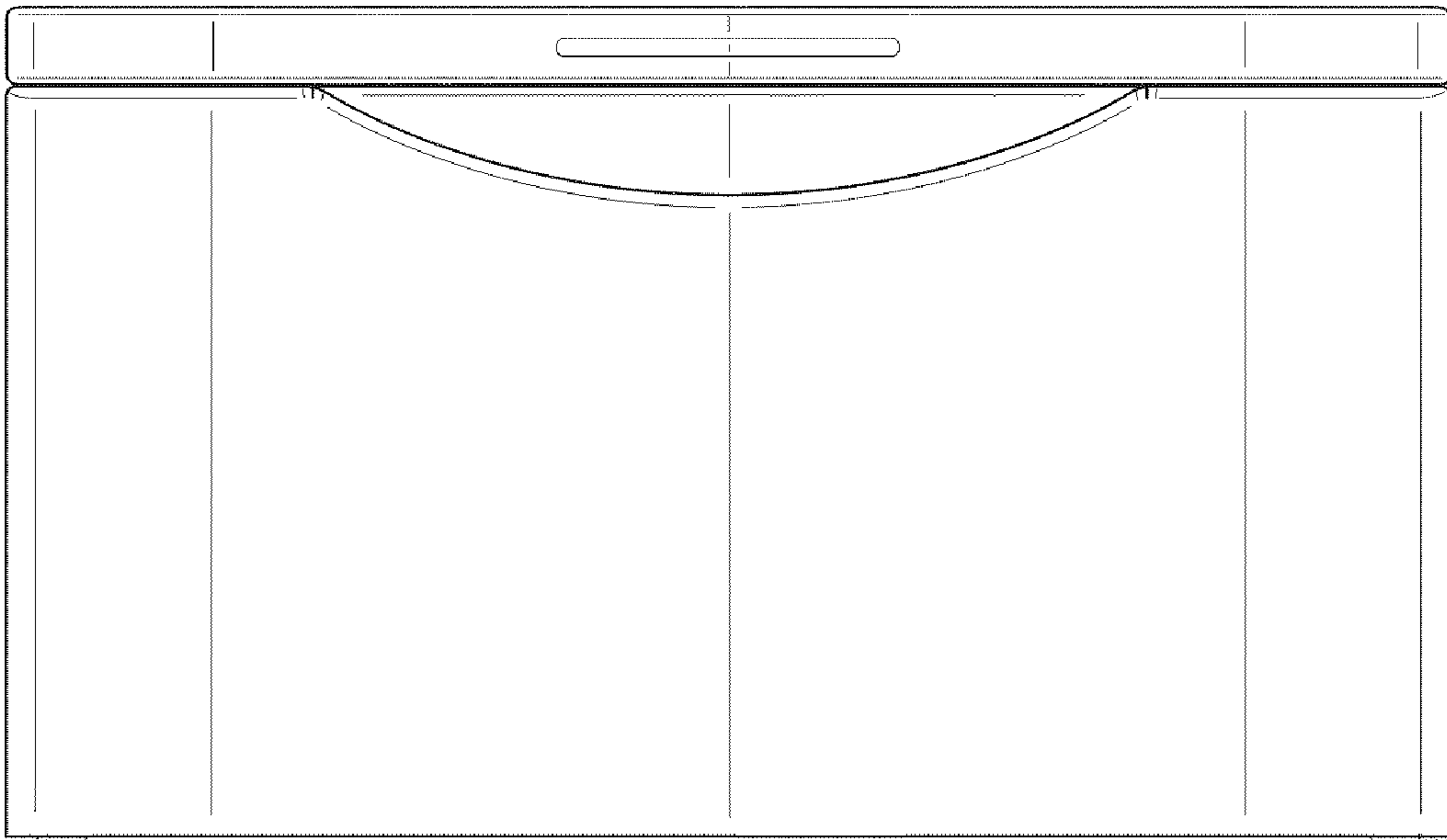


Fig. 14

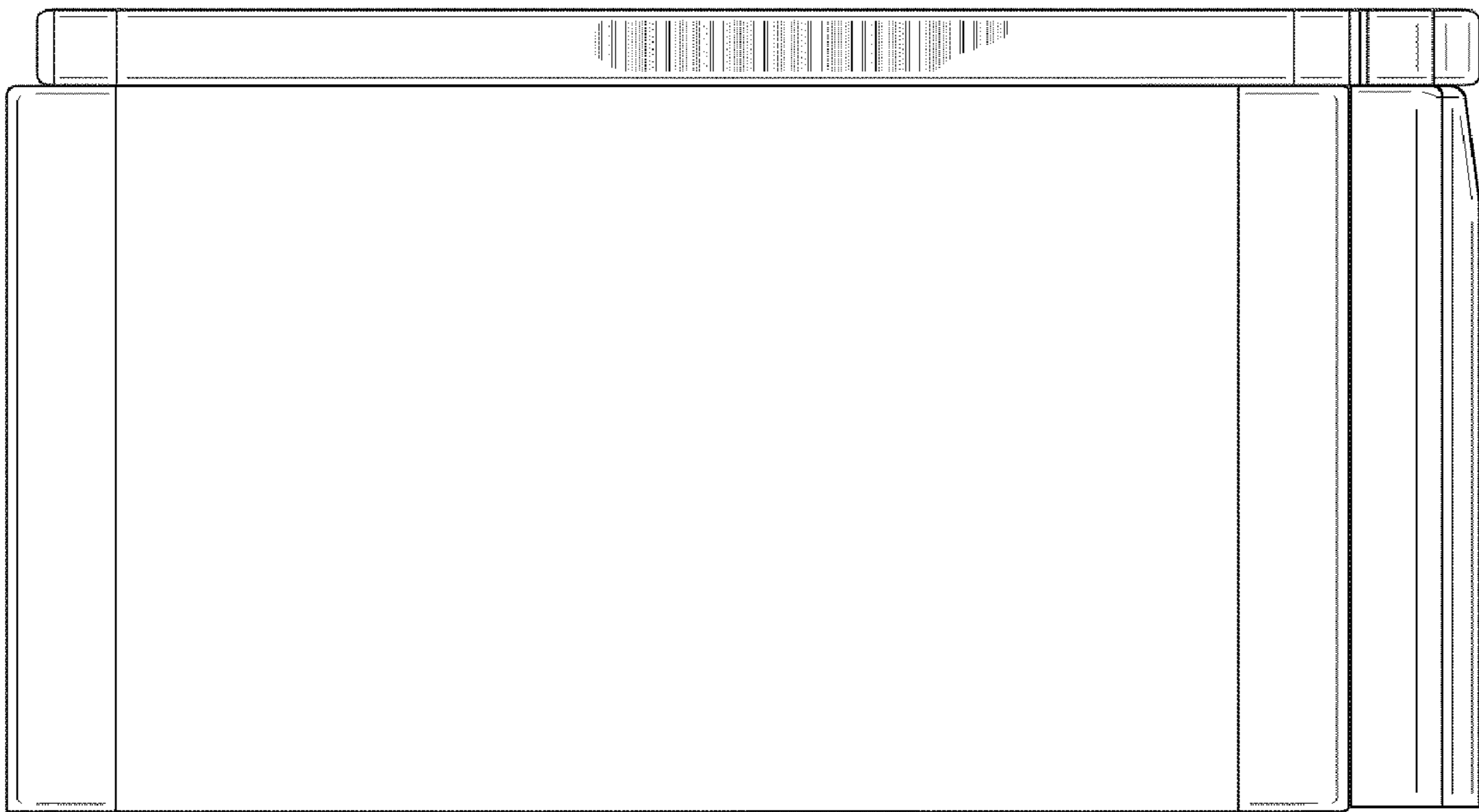


Fig. 15

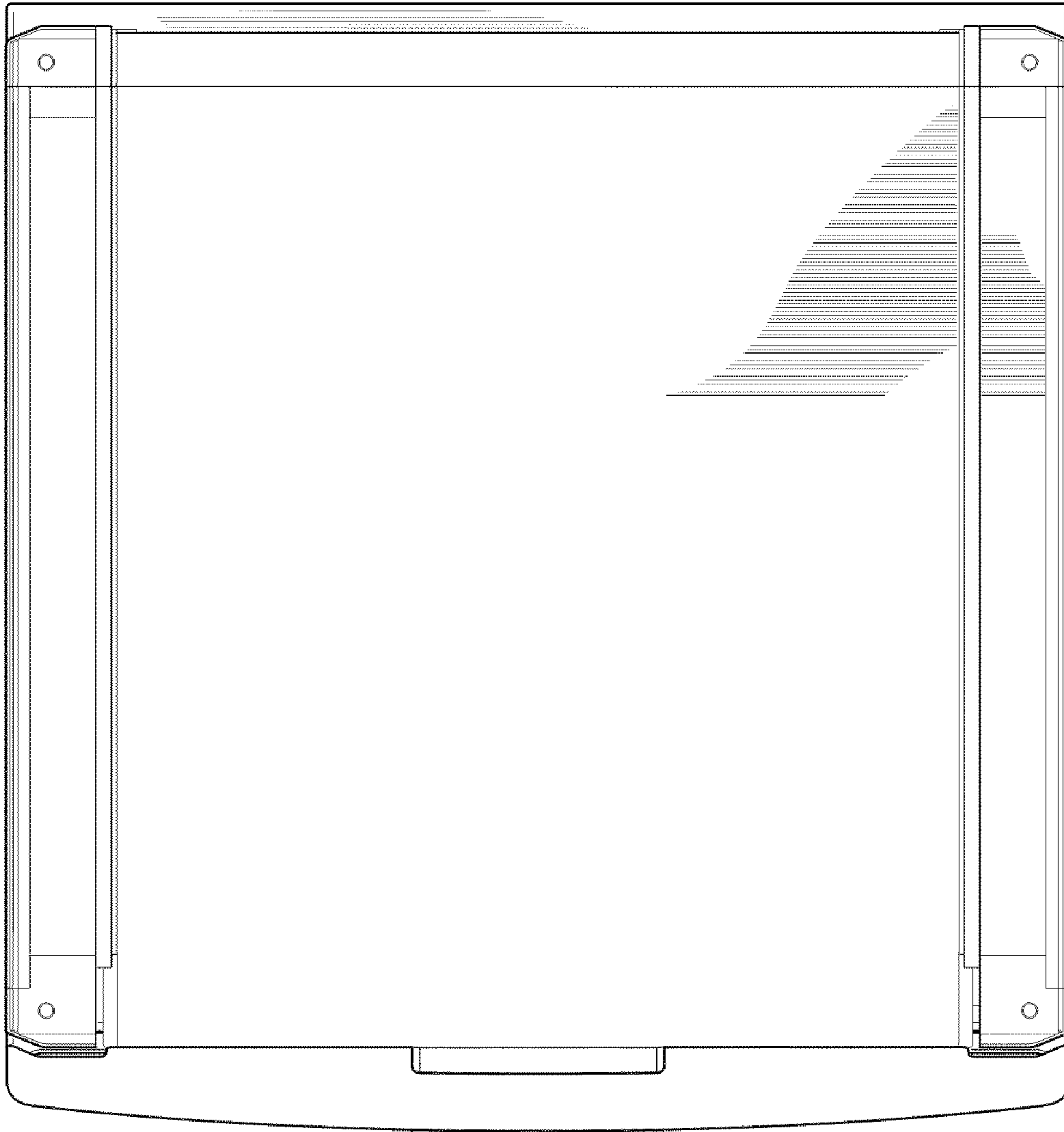


Fig. 16



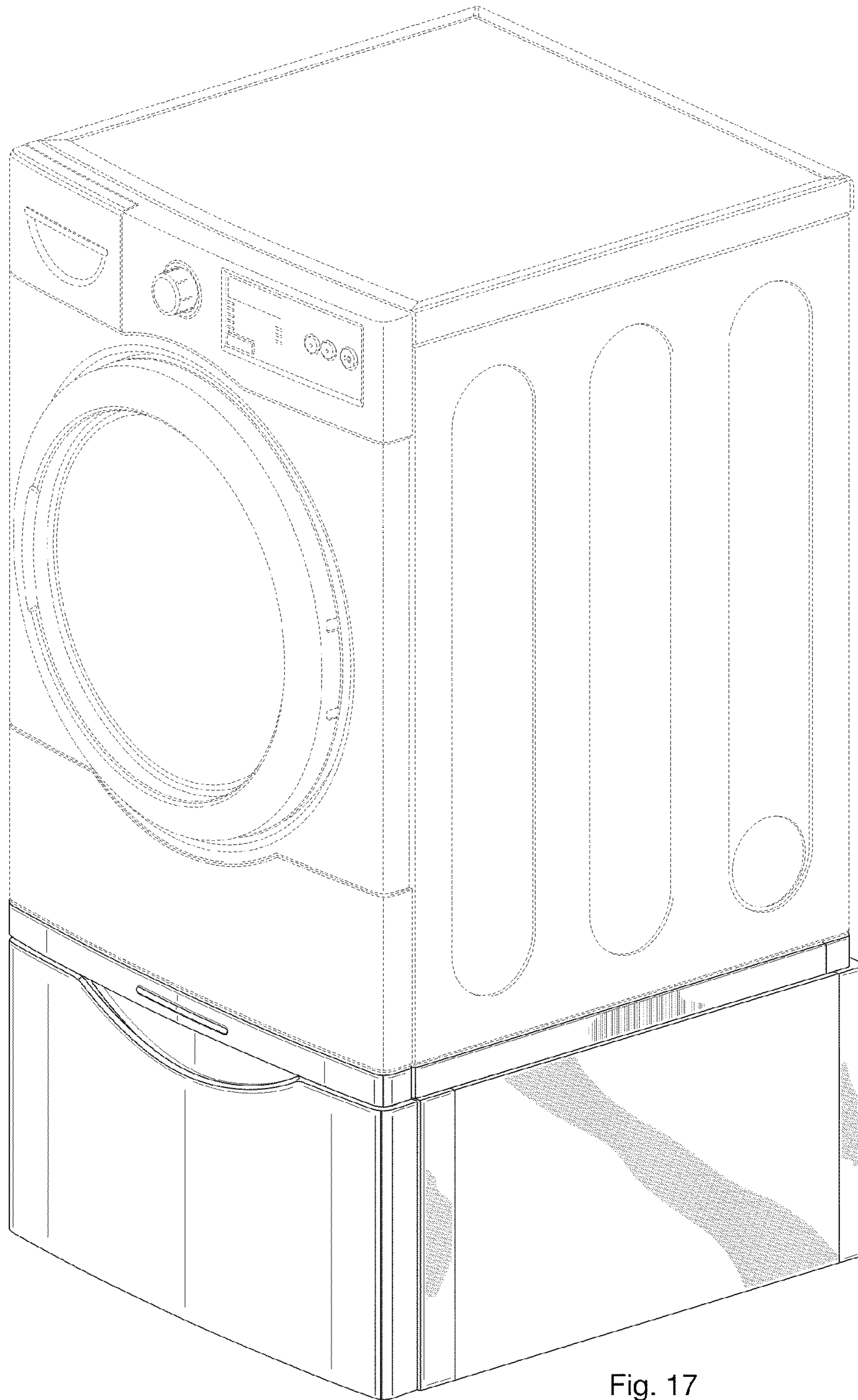


Fig. 17

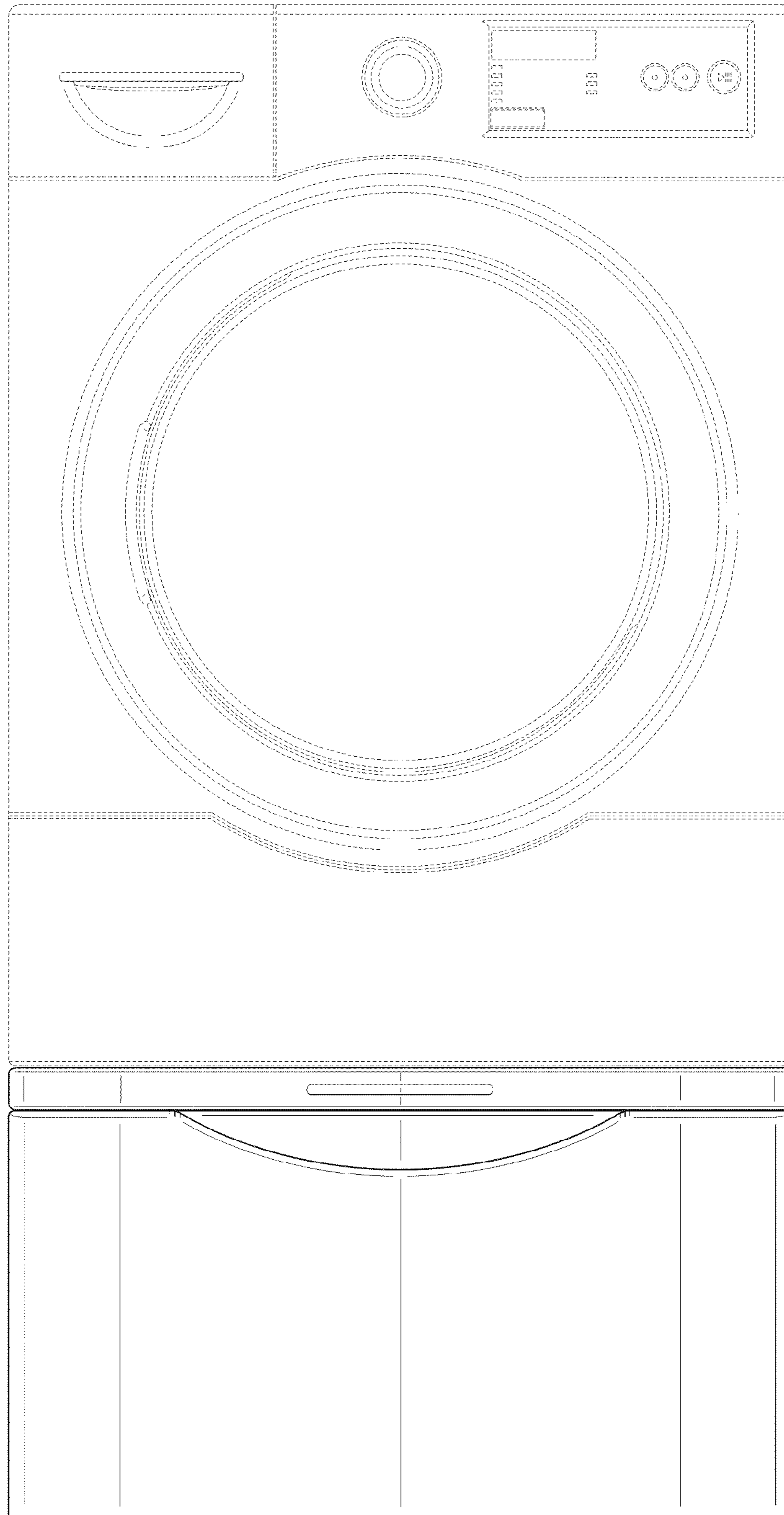


Fig. 18

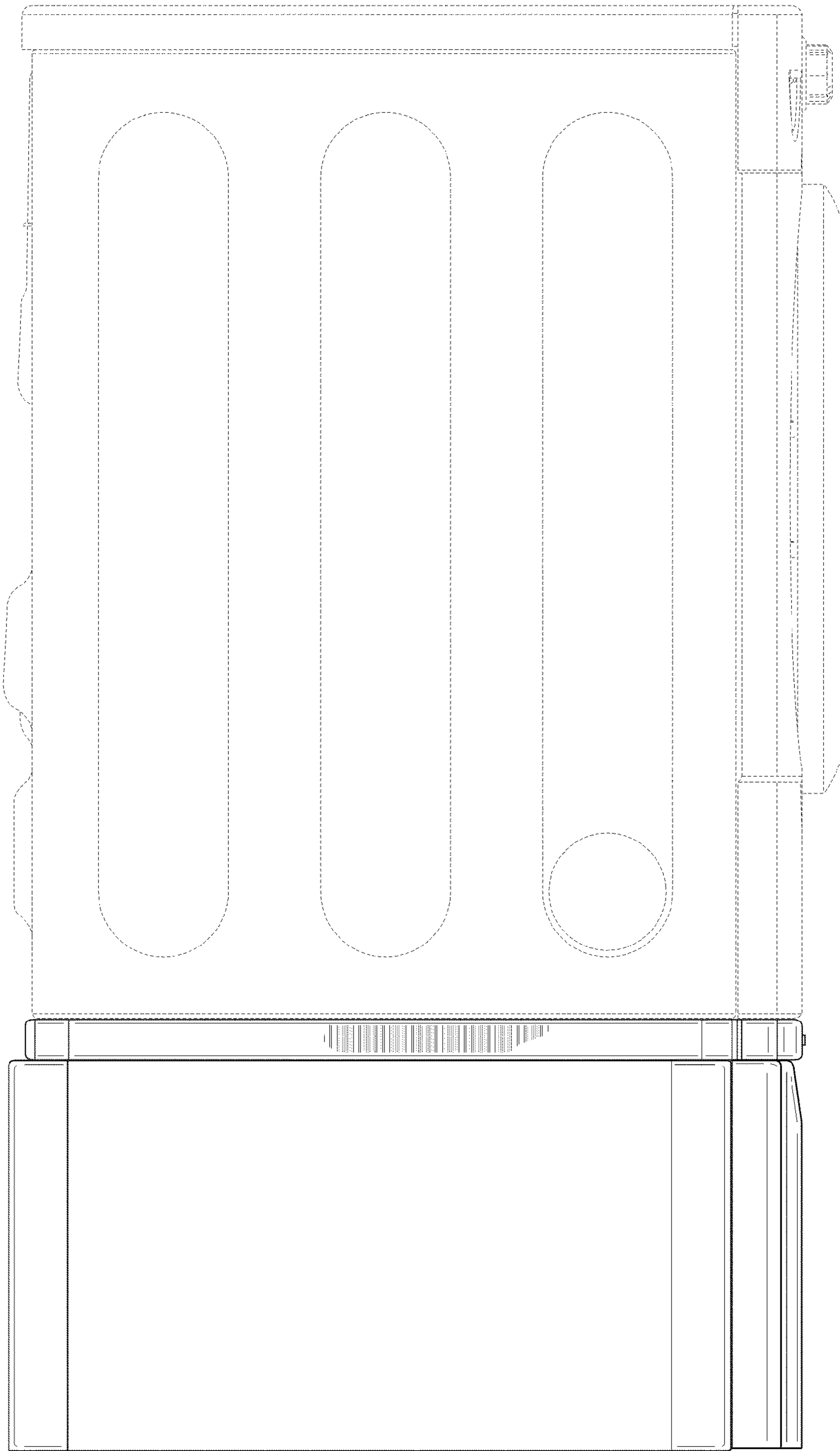


Fig. 19

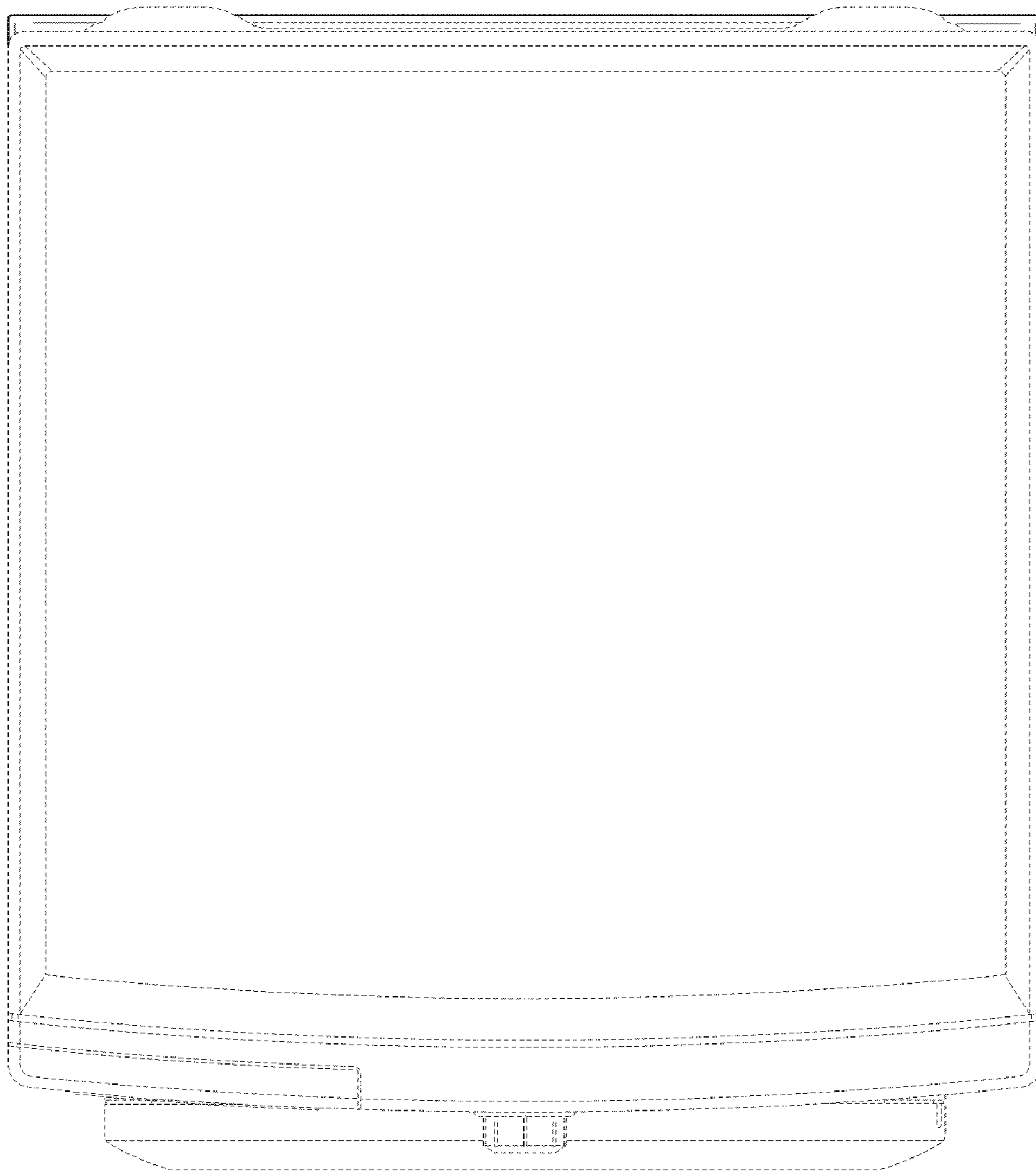


Fig. 20

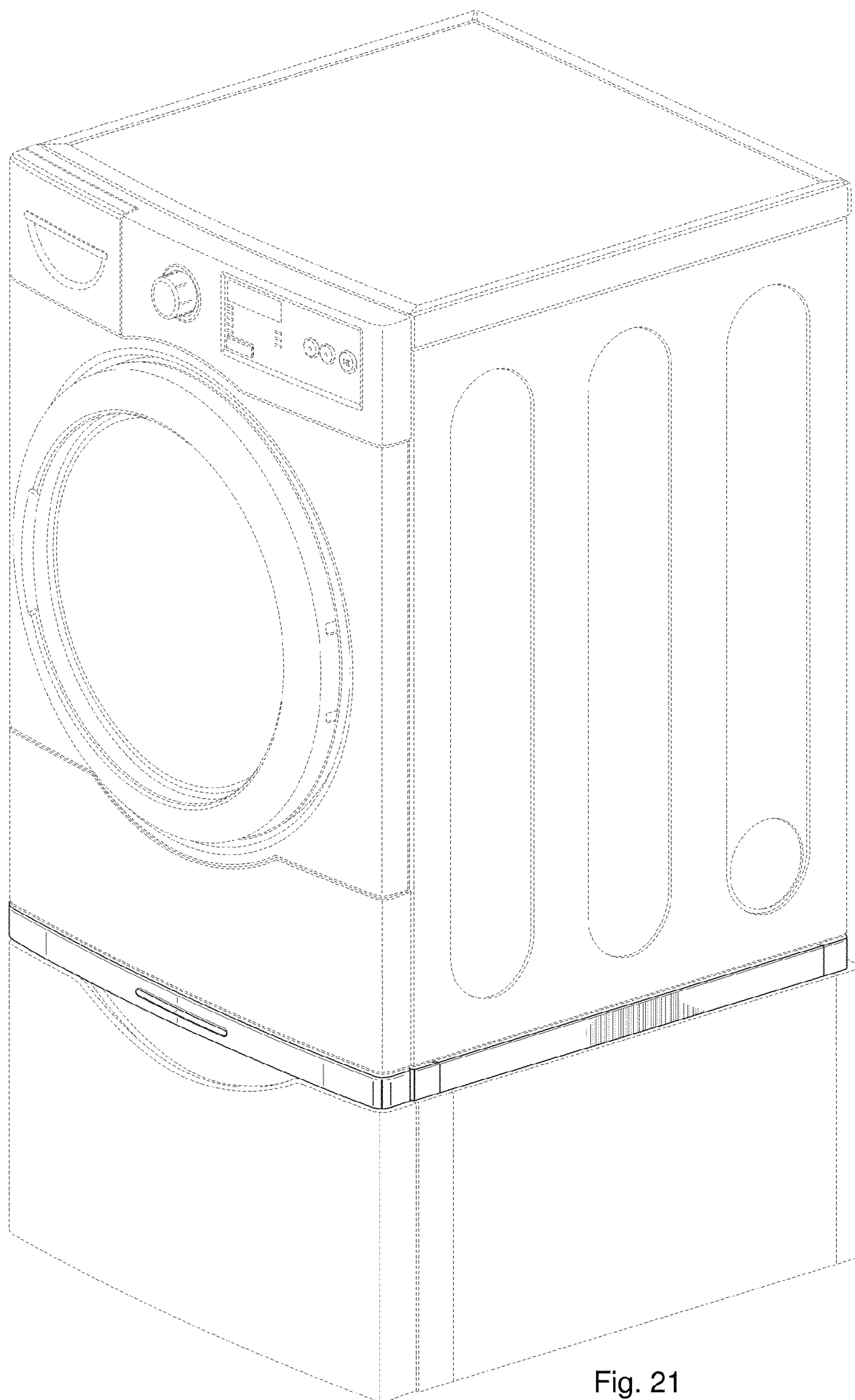


Fig. 21

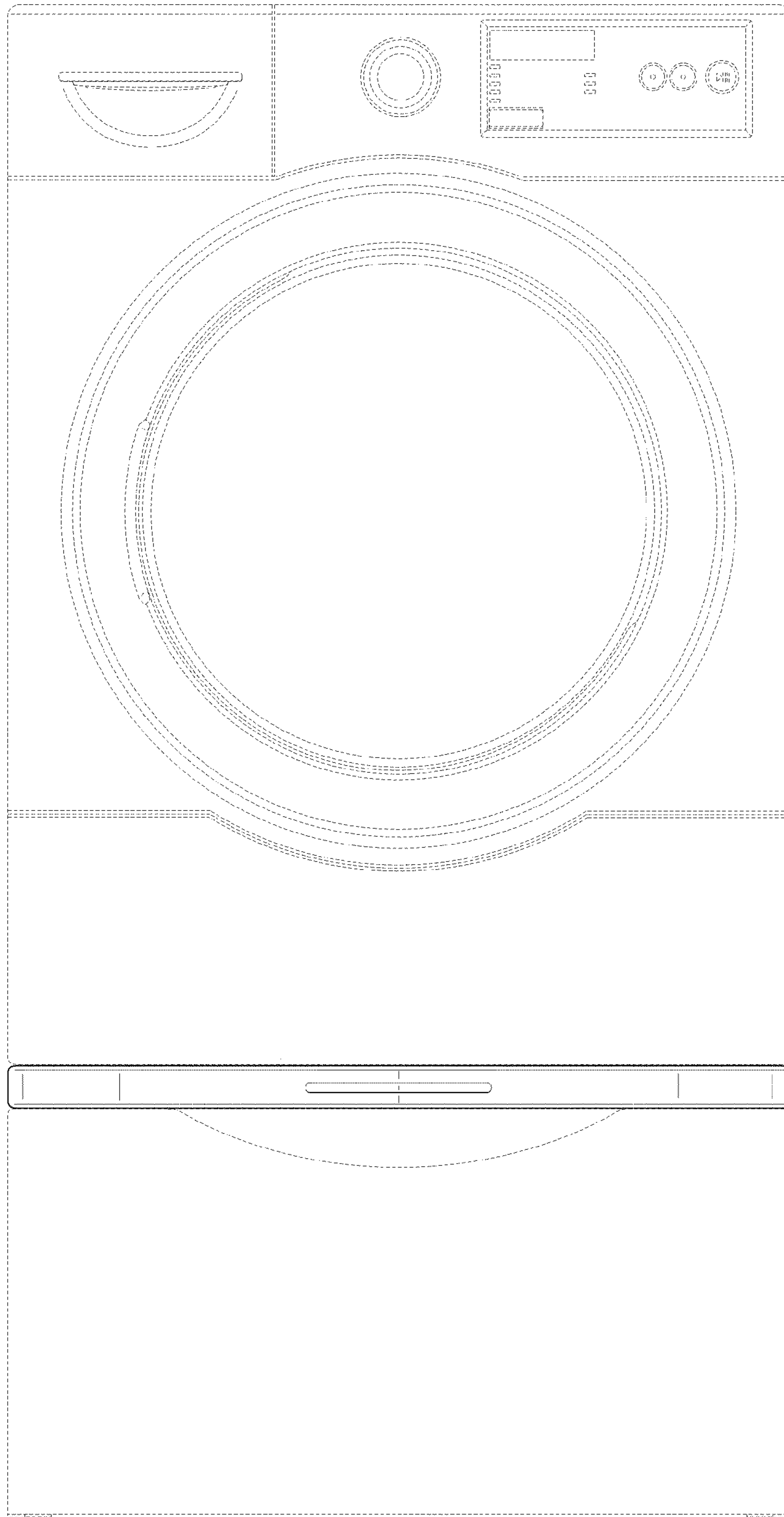


Fig. 22

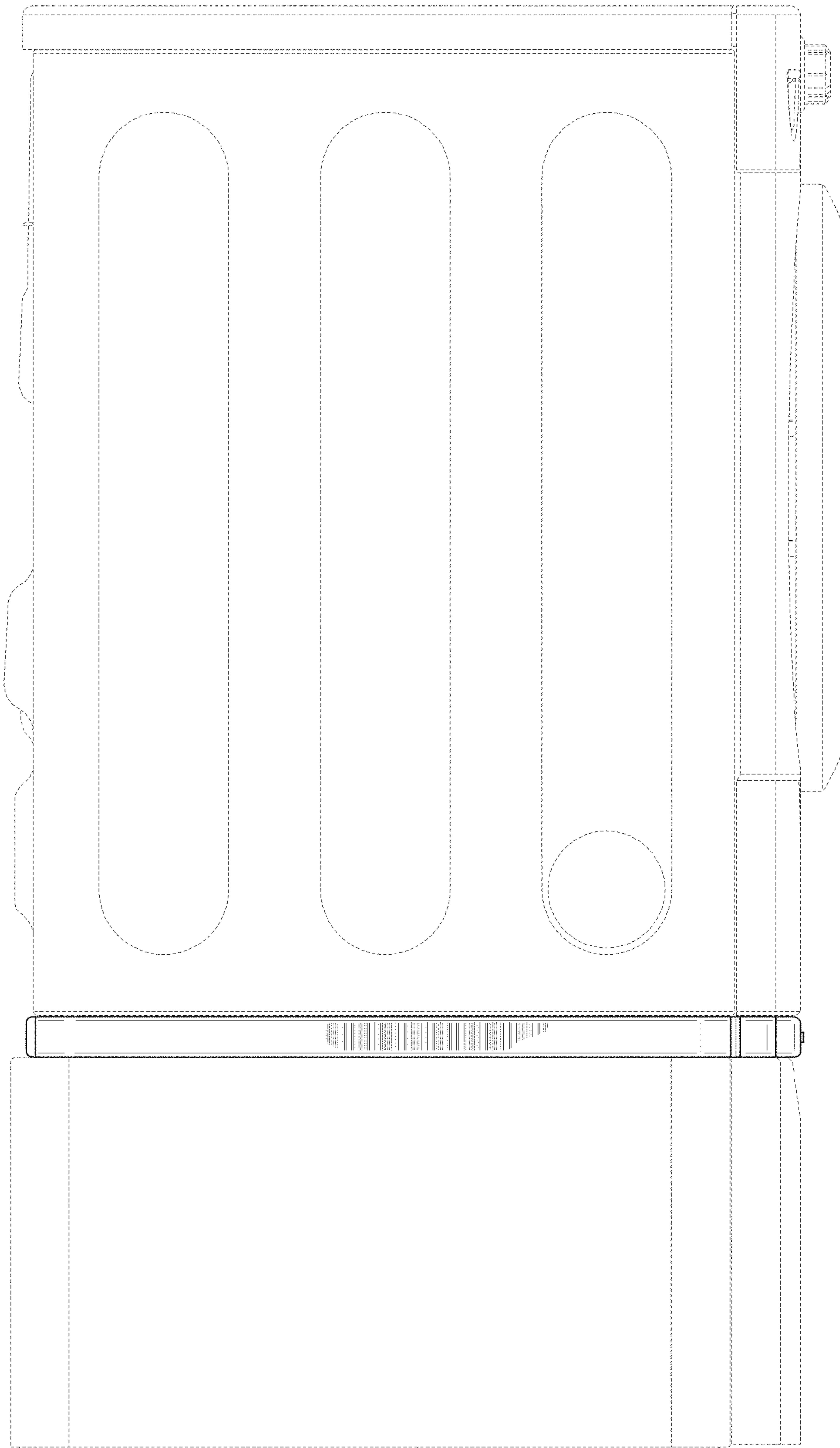


Fig. 23