



US00D645622S

(12) **United States Design Patent**
Wright

(10) **Patent No.:** **US D645,622 S**

(45) **Date of Patent:** **** Sep. 20, 2011**

(54) **POLISHER**

(75) **Inventor:** **Stuart J. Wright**, Timonium, MD (US)

(73) **Assignee:** **Black & Decker Inc.**, Newark, DE (US)

(**) **Term:** **14 Years**

(21) **Appl. No.:** **29/363,222**

(22) **Filed:** **Jun. 7, 2010**

(51) **LOC (9) Cl.** **15-05**

(52) **U.S. Cl.** **D32/19**

(58) **Field of Classification Search** D32/1,
D32/4, 15, 17, 19; D8/8, 61-62, 67, 69-70;
451/344, 353-354, 356-359; 15/28, 97.1
See application file for complete search history.

(56) **References Cited**

U.S. PATENT DOCUMENTS

D255,417 S *	6/1980	Sakamoto et al.	D8/62
D297,907 S *	10/1988	Hoshimo et al.	D8/62
5,201,146 A *	4/1993	Fushiya	451/358
6,132,301 A *	10/2000	Kaiser	451/450
D434,296 S *	11/2000	Ogasawara	D8/62
6,241,594 B1 *	6/2001	Lepold	451/359
D453,288 S *	2/2002	Lui	D8/62
D475,263 S *	6/2003	Andriolo	D8/62
D479,679 S *	9/2003	Wright	D8/62
D494,827 S *	8/2004	Liu	D8/62
D498,653 S *	11/2004	Wu	D8/62

D521,833 S *	5/2006	Okuda et al.	D8/62
D522,334 S *	6/2006	Waldron	D8/62
D522,827 S *	6/2006	Corcoran	D8/62
D523,308 S *	6/2006	Corcoran	D8/62
D524,129 S *	7/2006	Waldron	D8/62
D545,156 S *	6/2007	Waldron	D8/62
D558,016 S *	12/2007	Aglassinger	D8/62
D567,610 S *	4/2008	Wright	D8/62
D569,056 S *	5/2008	Zhu	D32/15
D606,828 S *	12/2009	Misaki	D8/62

* cited by examiner

Primary Examiner — T. Chase Nelson

Assistant Examiner — Kathleen M Sims

(74) *Attorney, Agent, or Firm* — Kofi Schulerbrandt; Scott B. Markow; Adan Ayala

(57) **CLAIM**

The ornamental design for a polisher, as shown and described.

DESCRIPTION

FIG. 1 is a left/front perspective view of a polisher showing my new design.

FIG. 2 is a front view thereof.

FIG. 3 is a rear view thereof.

FIG. 4 is a right side view thereof.

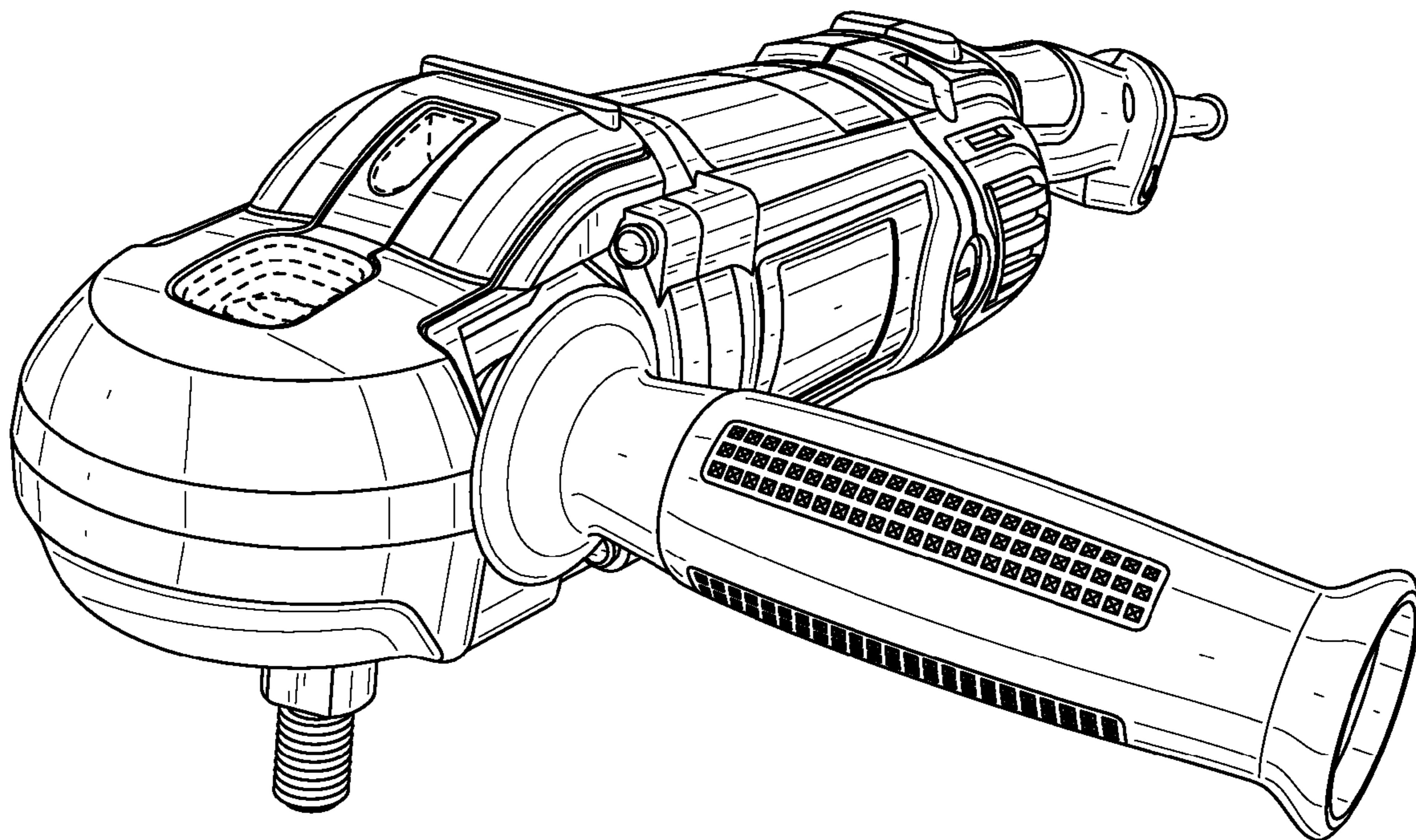
FIG. 5 is a left side view thereof.

FIG. 6 is a top view thereof; and,

FIG. 7 is a bottom view thereof.

The broken lines depict portions of the polisher that form no part of the claimed design.

1 Claim, 7 Drawing Sheets



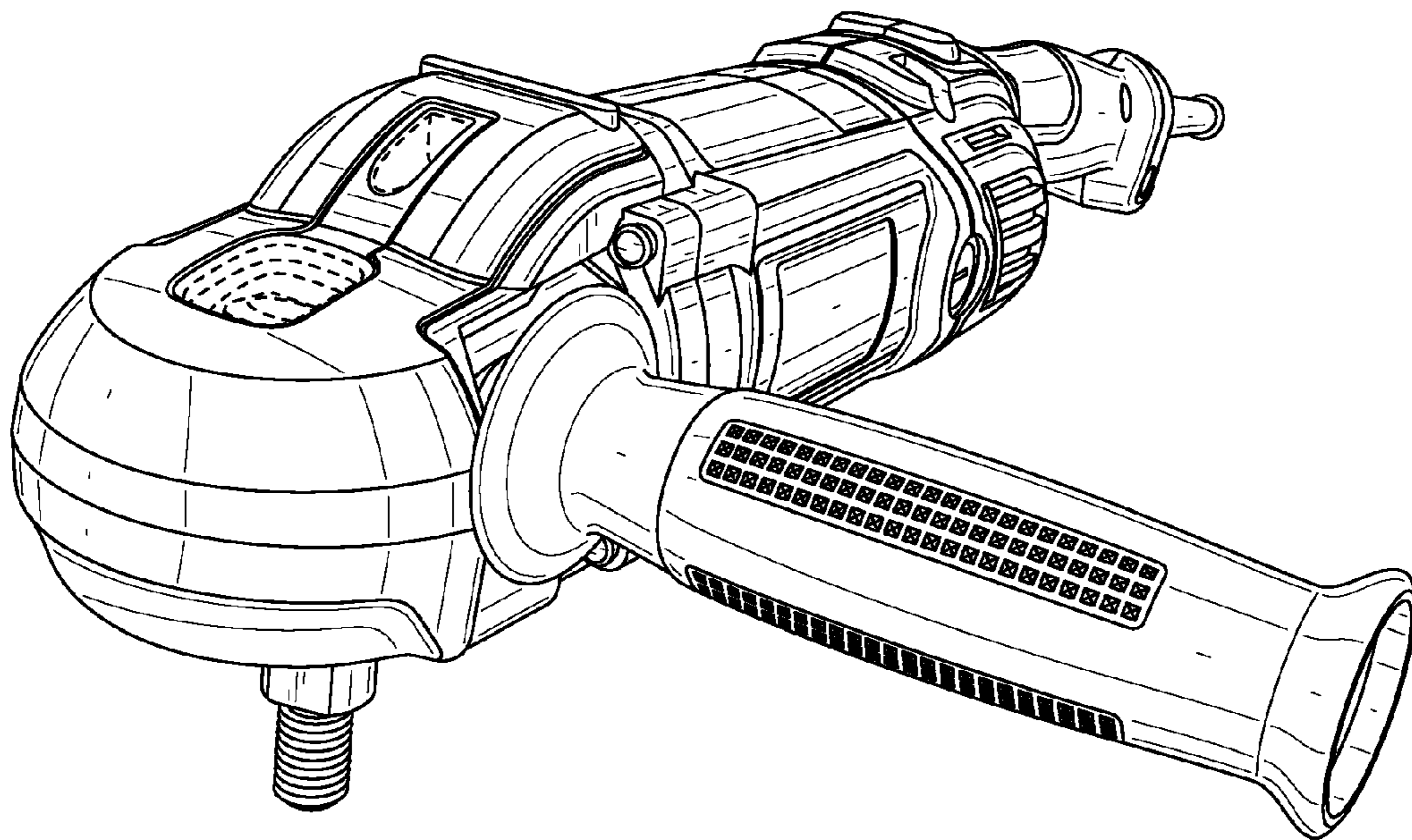


FIG. 1

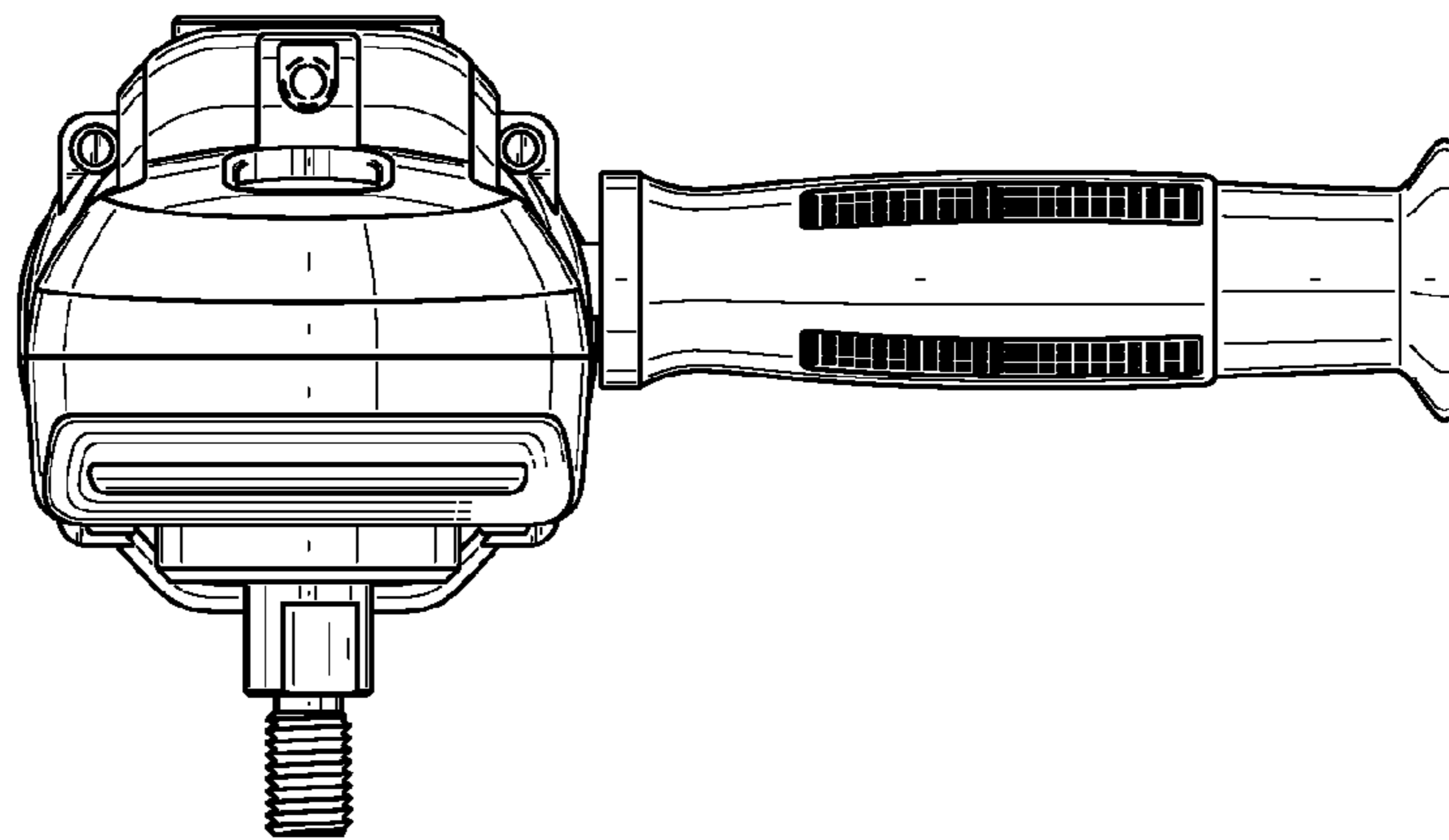


FIG. 2

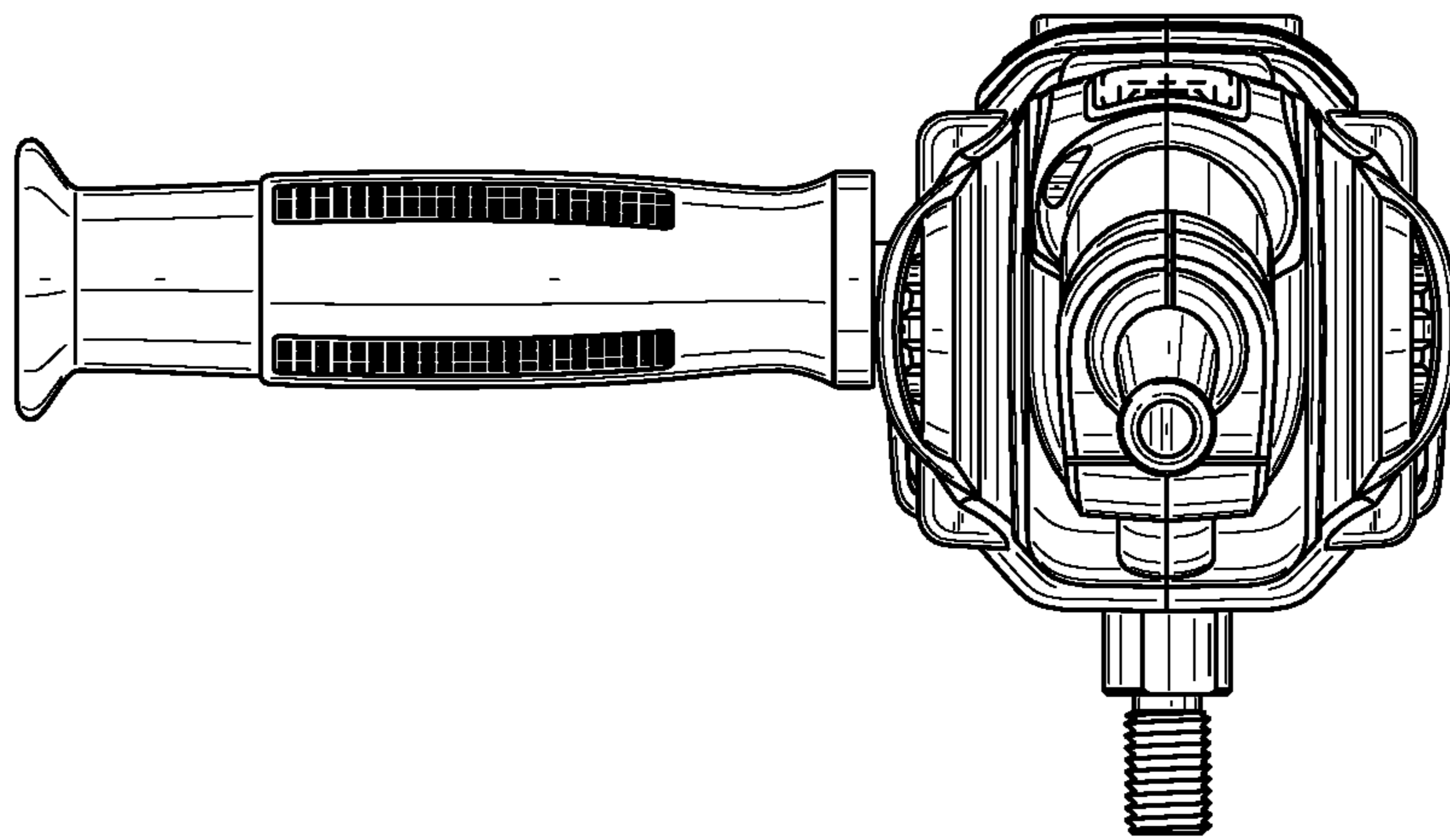


FIG. 3

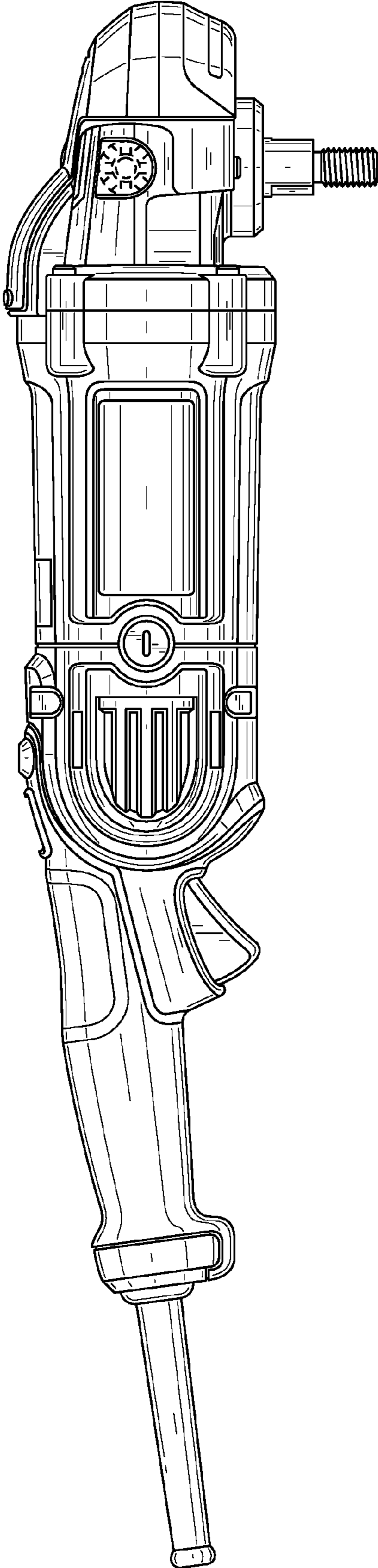


FIG. 4

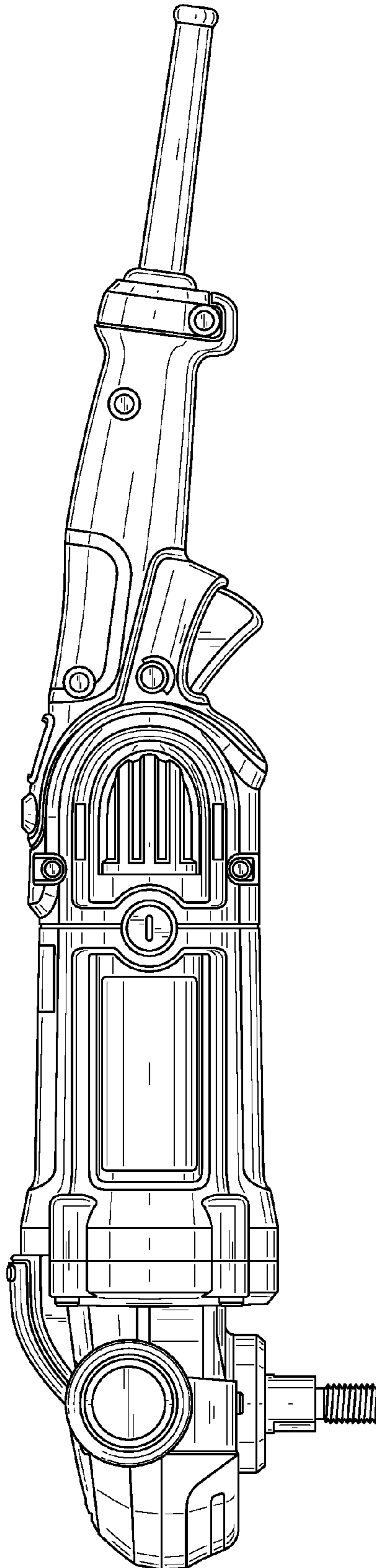


FIG. 5

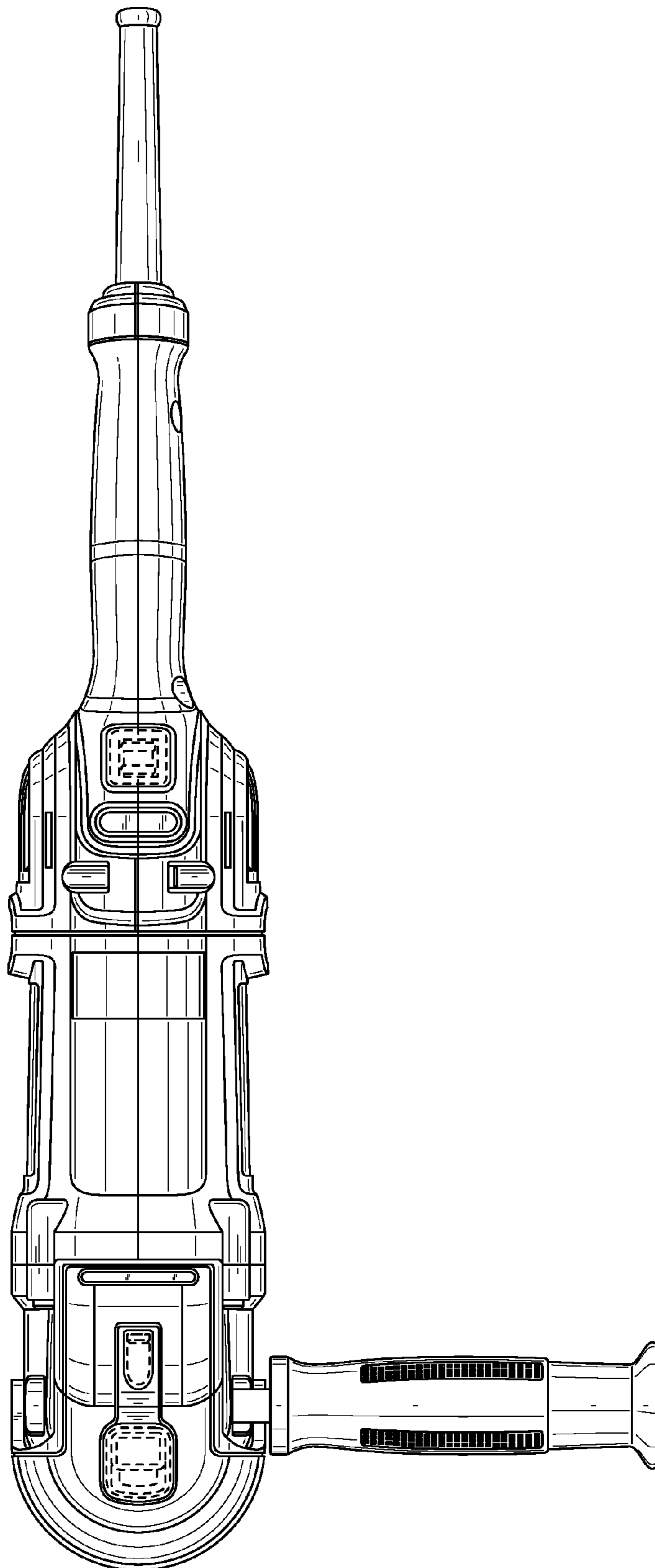


FIG. 6

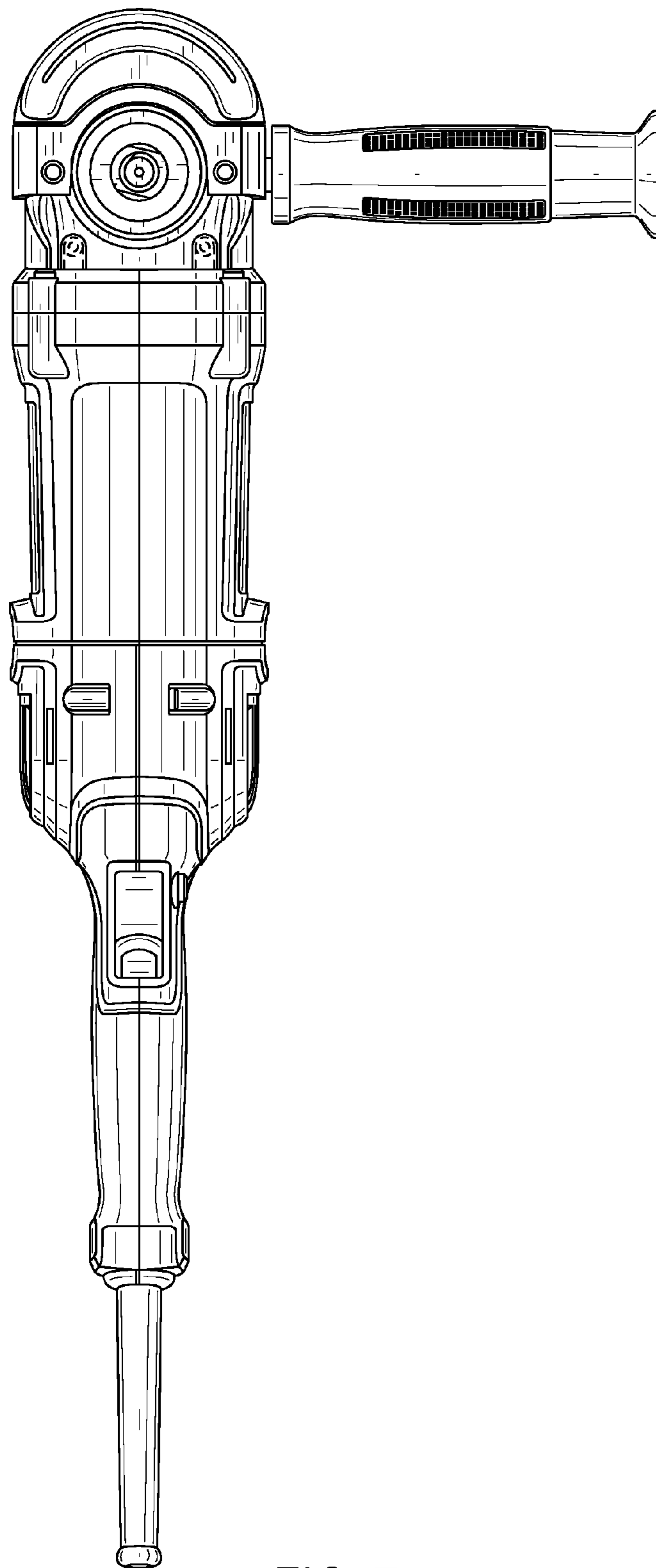


FIG. 7