



US00D645621S

(12) **United States Design Patent**
Jenkins et al.

(10) **Patent No.:** **US D645,621 S**
(45) **Date of Patent:** **** Sep. 20, 2011**

(54) **DISHWASHER PANEL**

(75) Inventors: **James Jenkins**, San Diego, CA (US);
Thomas Ott, Neubiberg (DE)

(73) Assignee: **BSH Bosch und Siemens Hausgeraete GmbH**, Munich (DE)

(**) Term: **14 Years**

(21) Appl. No.: **29/389,528**

(22) Filed: **Apr. 13, 2011**

Related U.S. Application Data

(62) Division of application No. 29/378,800, filed on Nov. 10, 2010, which is a division of application No. 29/360,743, filed on Apr. 30, 2010, now Pat. No. Des. 633,664, which is a division of application No. 29/312,227, filed on Oct. 7, 2008, now Pat. No. Des. 618,404.

(30) **Foreign Application Priority Data**

Apr. 8, 2008 (EM) 000918362

(51) **LOC (9) Cl.** **15-05**

(52) **U.S. Cl.** **D32/3**

(58) **Field of Classification Search** D32/1-3,
D32/25, 28; D7/340, 348-361, 404; 68/212;
312/31; 134/56 D, 57 D, 58 D, 58 DL, 113,
134/201

See application file for complete search history.

(56) **References Cited**

U.S. PATENT DOCUMENTS

D385,069 S * 10/1997 Hughes et al. D32/3
D493,583 S * 7/2004 Kaczmarek D32/3
D495,104 S * 8/2004 Kaczmarek D32/3

D511,031 S * 10/2005 Ott et al. D32/3
D530,048 S * 10/2006 Knochner D32/3
D530,460 S * 10/2006 Knochner D32/3
D533,691 S * 12/2006 Knochner D32/3
D539,992 S * 4/2007 Yamamoto et al. D32/2
D545,009 S * 6/2007 Jung et al. D32/2
D568,563 S * 5/2008 Stephens D32/28
D577,869 S * 9/2008 Tartan et al. D32/2
D618,403 S * 6/2010 Kaczmarek D32/3
D618,406 S * 6/2010 Ott D32/3

* cited by examiner

Primary Examiner — T. Chase Nelson

Assistant Examiner — Kathleen M Sims

(74) *Attorney, Agent, or Firm* — James E. Howard; Andre Pallapies

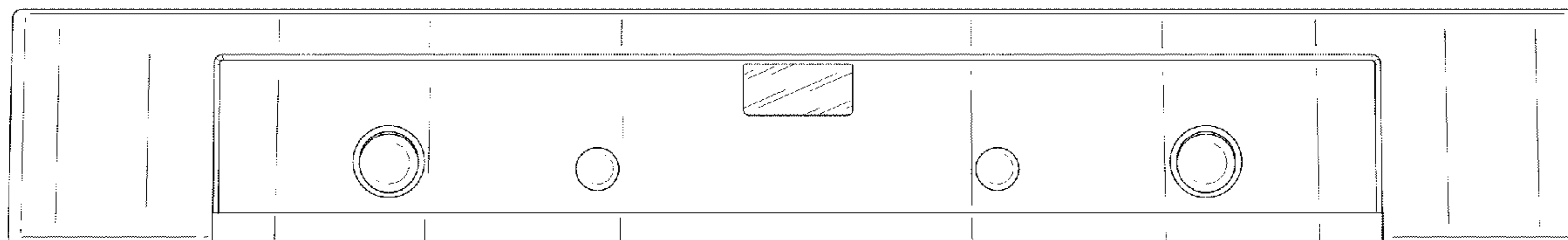
(57) **CLAIM**

The ornamental design for a dishwasher panel, as shown and described.

DESCRIPTION

FIG. 1 is a front view of a dishwasher panel showing a first embodiment of our new design;
FIG. 2 is a perspective view thereof;
FIG. 3 is a front view of a dishwasher panel showing a second embodiment of our new design;
FIG. 4 is a perspective view thereof;
FIG. 5 is a front view of a dishwasher panel showing a third embodiment of our new design;
FIG. 6 is a perspective view thereof;
FIG. 7 is a perspective view of a dishwasher panel showing a fourth embodiment of our new design;
FIG. 8 is a front view thereof;
FIG. 9 is a top view thereof; and,
FIG. 10 is a right side view thereof.
The rear and bottom views of the dishwasher panels are not shown and do not form a part of the claimed design.

1 Claim, 9 Drawing Sheets



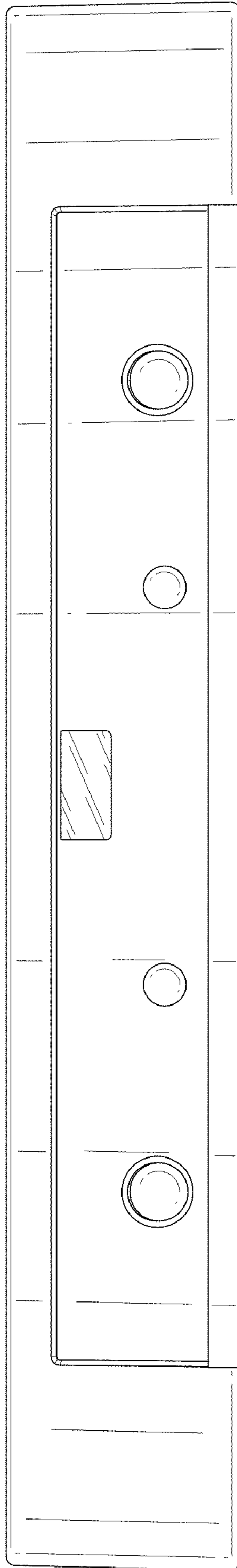


Fig. 1

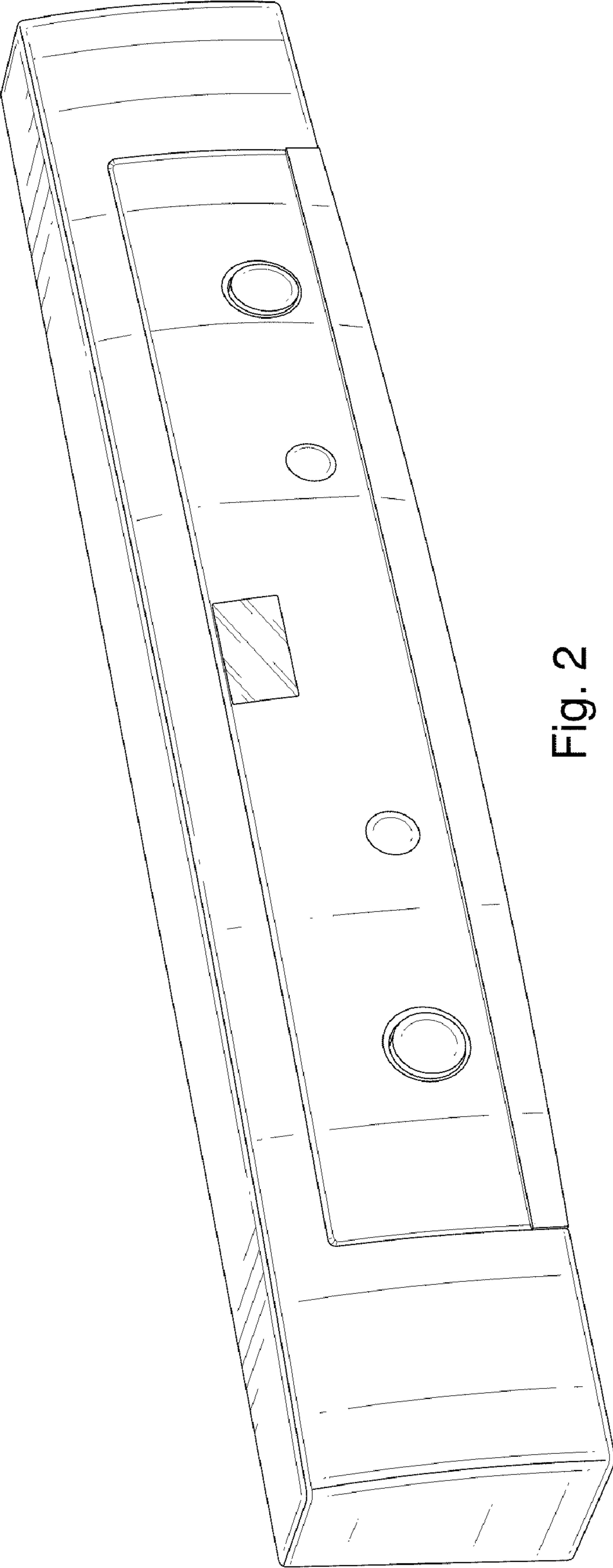


Fig. 2

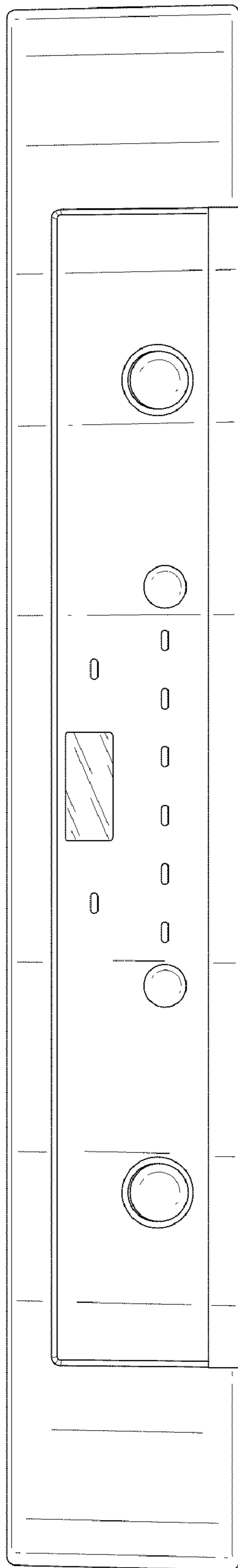


Fig. 3

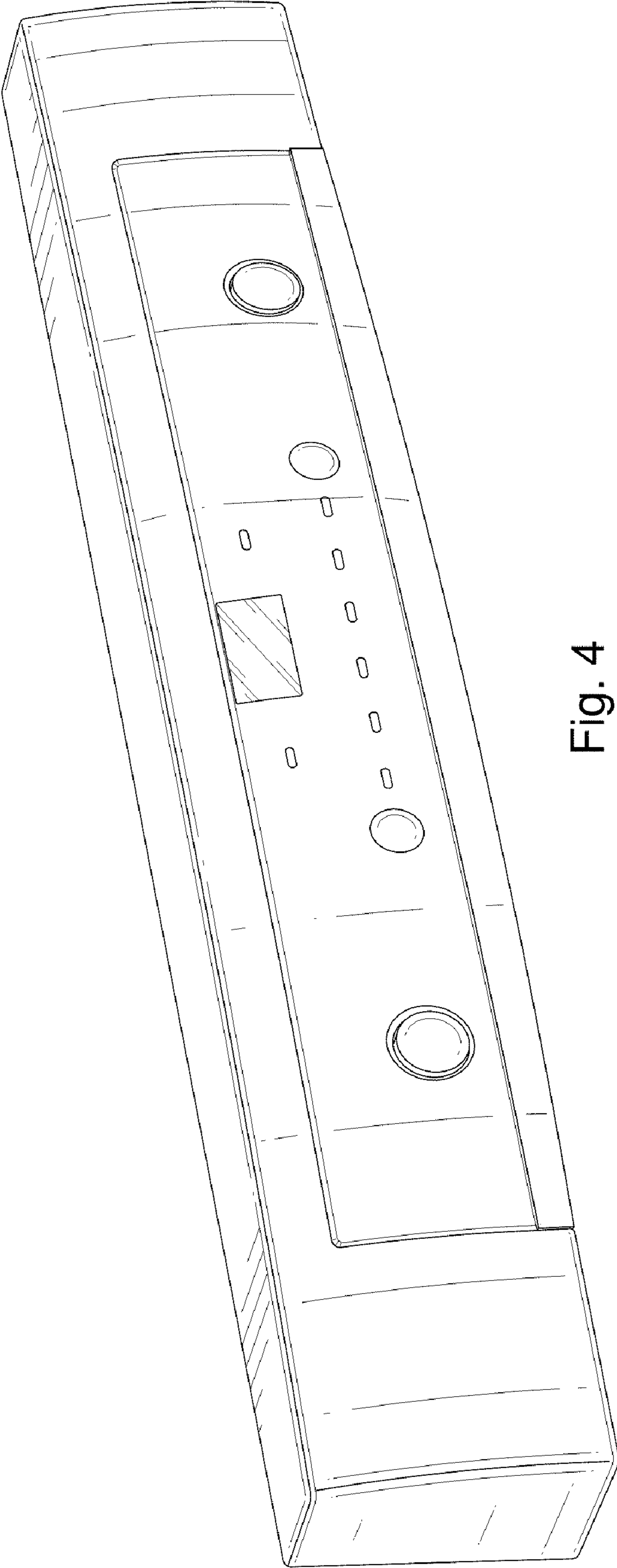


Fig. 4

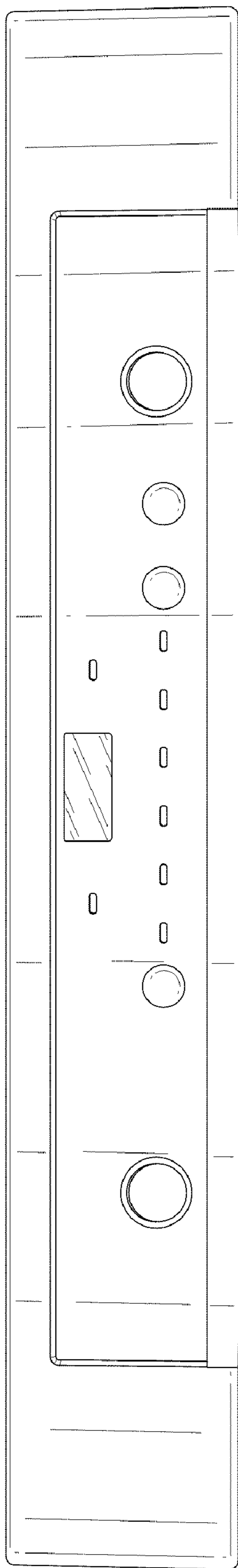


Fig. 5

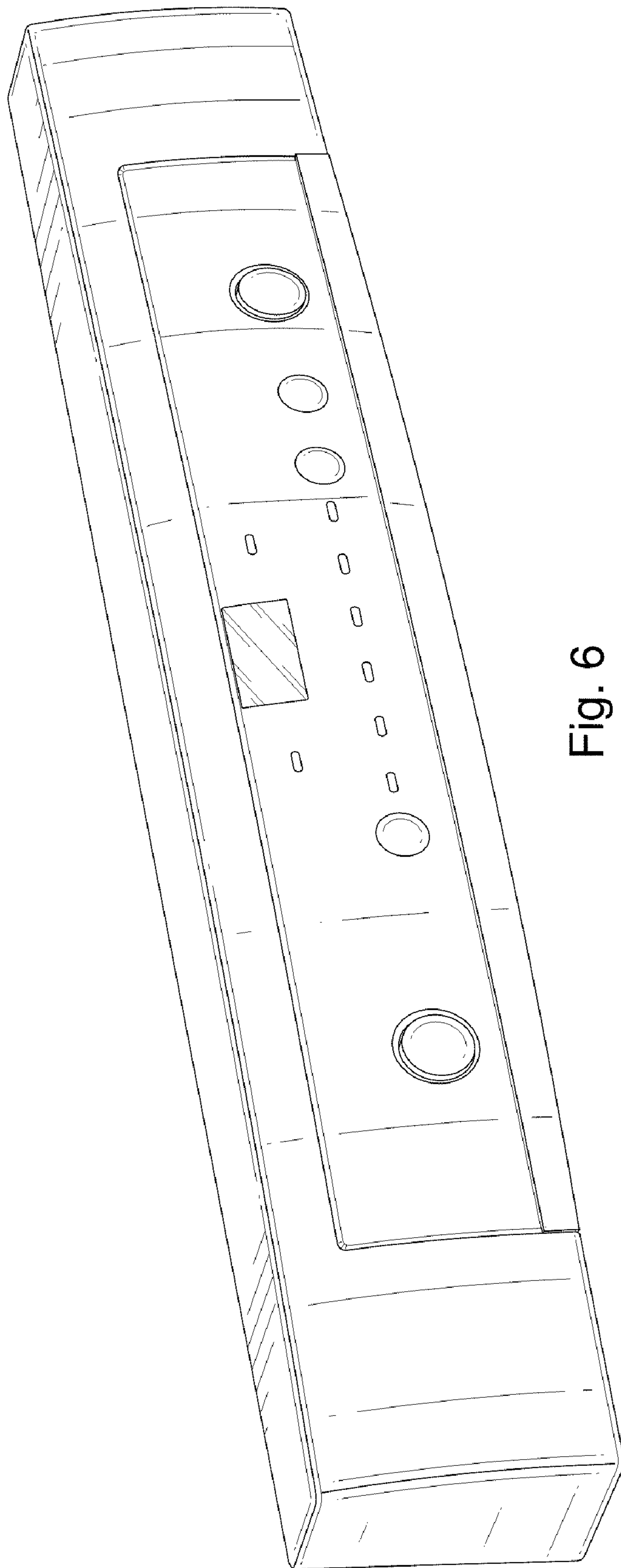


Fig. 6

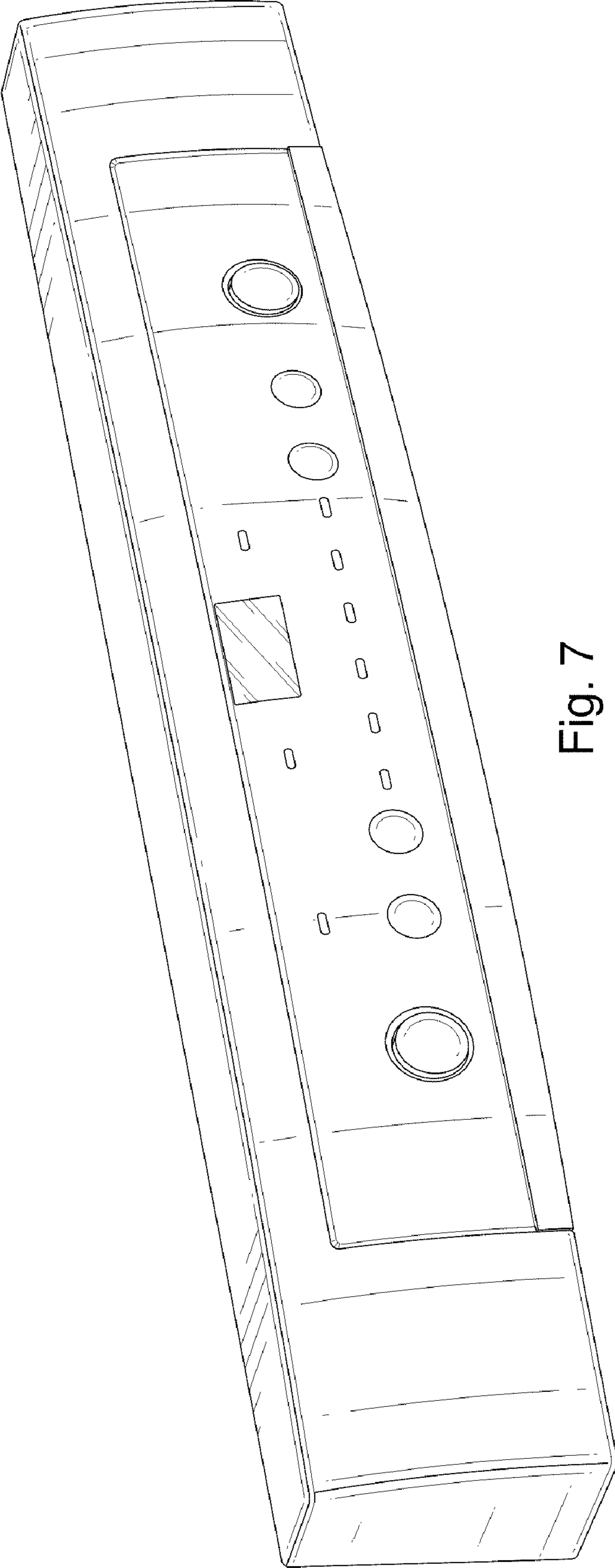


Fig. 7

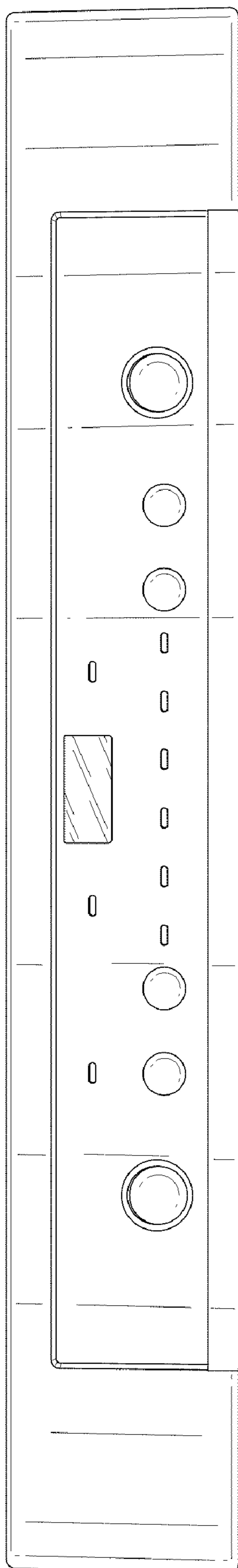


Fig. 8

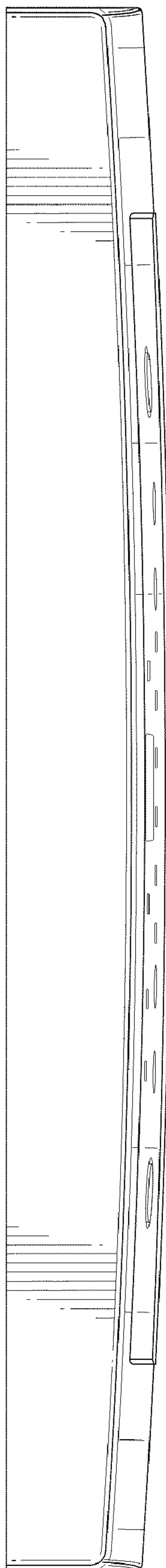


Fig. 9

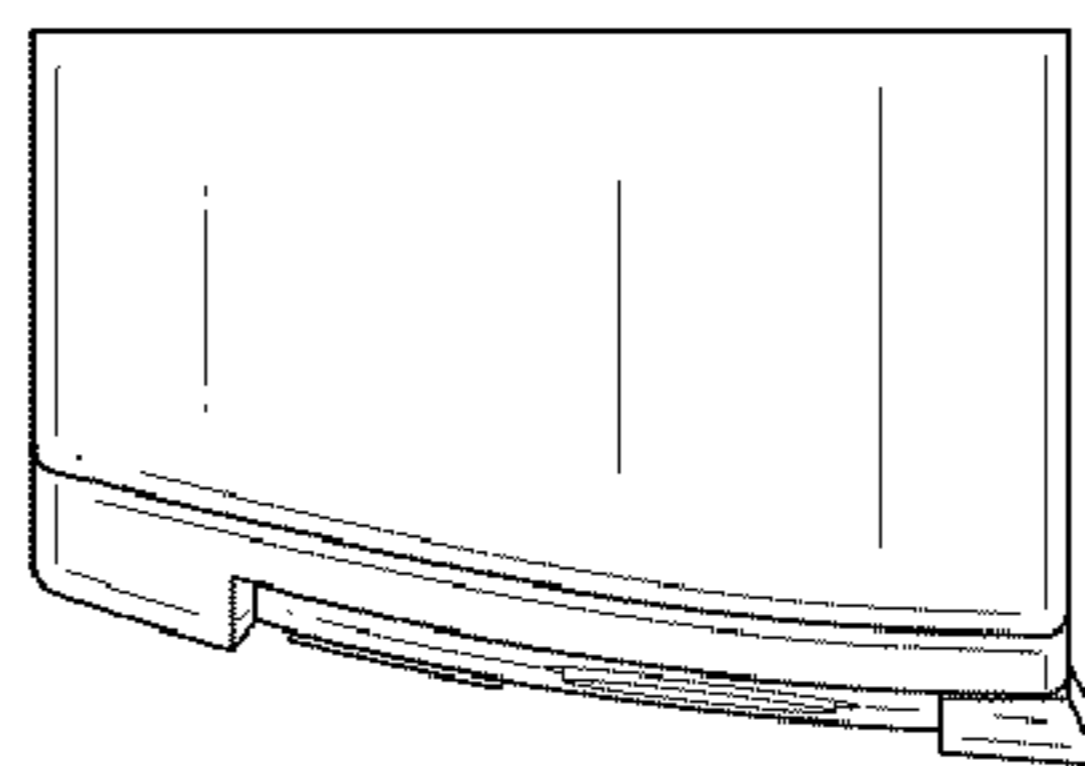


Fig. 10