



US00D645620S

(12) **United States Design Patent**
Ott

(10) **Patent No.:** **US D645,620 S**

(45) **Date of Patent:** **** Sep. 20, 2011**

- (54) **DISHWASHER CONTROL PANEL**
- (75) Inventor: **Thomas Ott**, Neubiberg (DE)
- (73) Assignee: **BSH Bosch und Siemens Hausgeraete GmbH**, Munich (DE)
- (**) Term: **14 Years**
- (21) Appl. No.: **29/389,527**
- (22) Filed: **Apr. 13, 2011**

D530,048 S *	10/2006	Knochner	D32/3
D530,460 S *	10/2006	Knochner	D32/3
D533,691 S *	12/2006	Knochner	D32/3
D539,992 S *	4/2007	Yamamoto et al.	D32/2
D545,009 S *	6/2007	Jung et al.	D32/2
D568,563 S *	5/2008	Stephens	D32/28
D577,869 S *	9/2008	Tartan et al.	D32/2
D618,403 S *	6/2010	Kaczmarek	D32/3
D618,405 S *	6/2010	Ott	D32/3

* cited by examiner

Primary Examiner — T. Chase Nelson
Assistant Examiner — Kathleen M Sims

(74) *Attorney, Agent, or Firm* — James E. Howard; Andre Pallapies

Related U.S. Application Data

- (62) Division of application No. 29/376,915, filed on Oct. 14, 2010, which is a division of application No. 29/357,830, filed on Mar. 18, 2010, now Pat. No. Des. 630,804, which is a division of application No. 29/313,267, filed on Dec. 19, 2008, now Pat. No. Des. 618,406.

Foreign Application Priority Data

- (30) Jul. 8, 2008 (EM) 000973540
- (51) **LOC (9) Cl.** **15-05**
- (52) **U.S. Cl.** **D32/3**
- (58) **Field of Classification Search** D32/1-3, D32/25, 28; D7/340, 348-351, 405; 68/212; 312/31; 134/56 D, 57 D, 58 DL, 113, 201
See application file for complete search history.

References Cited

U.S. PATENT DOCUMENTS

D385,069 S *	10/1997	Hughes et al.	D32/3
D493,583 S *	7/2004	Kaczmarek	D32/3
D495,104 S *	8/2004	Kaczmarek	D32/3
D511,031 S *	10/2005	Ott et al.	D32/3

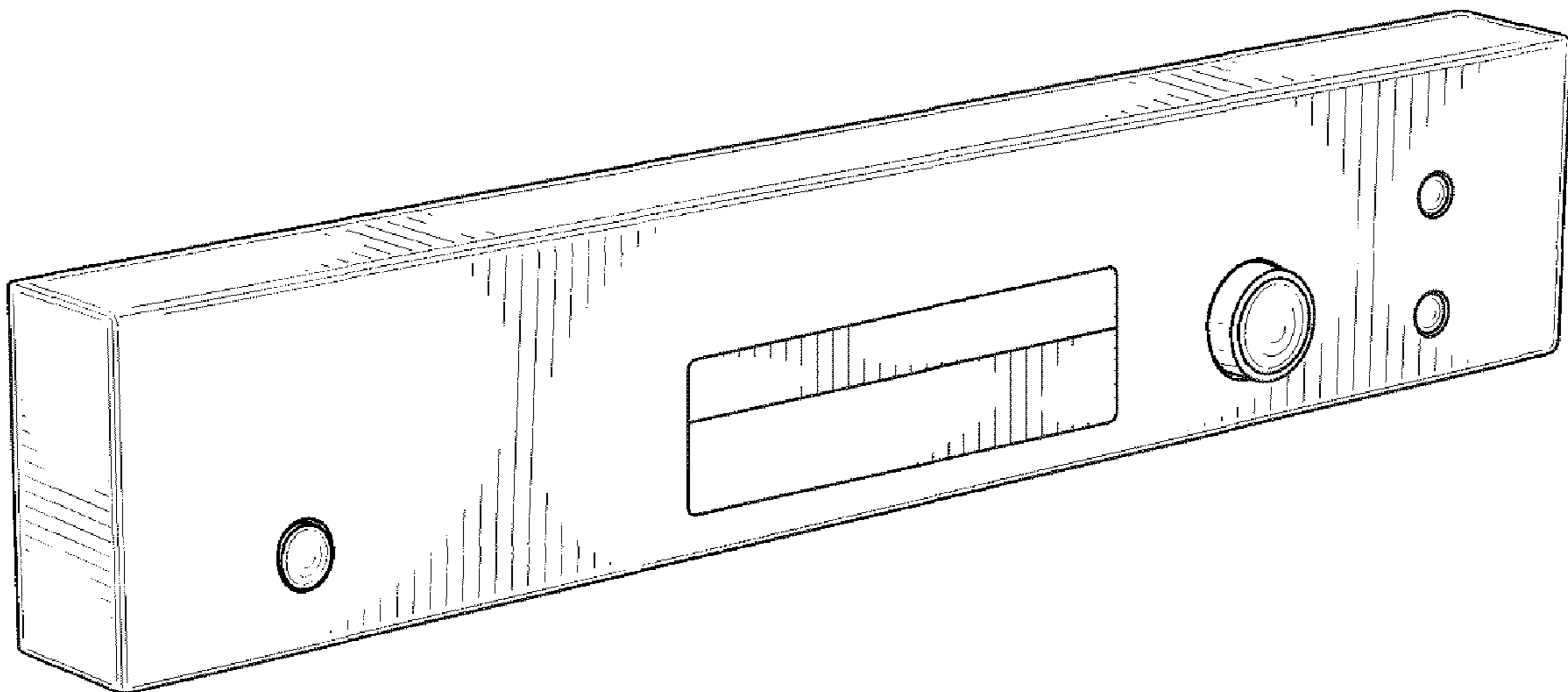
(57) **CLAIM**

The ornamental design for a dishwasher control panel, as shown and described.

DESCRIPTION

FIG. 1 is a perspective view of a first embodiment of a dishwasher control panel;
 FIG. 2 is a front view thereof;
 FIG. 3 is a perspective view of a second embodiment of a dishwasher control panel;
 FIG. 4 is a front view thereof;
 FIG. 5 is a perspective view of a third embodiment of a dishwasher control panel;
 FIG. 6 is a front view thereof;
 FIG. 7 is a perspective view of a fourth embodiment of a dishwasher control panel;
 FIG. 8 is a front view thereof;
 FIG. 9 is a perspective view of a fifth embodiment of a dishwasher control panel; and,
 FIG. 10 is a front view thereof.

1 Claim, 5 Drawing Sheets



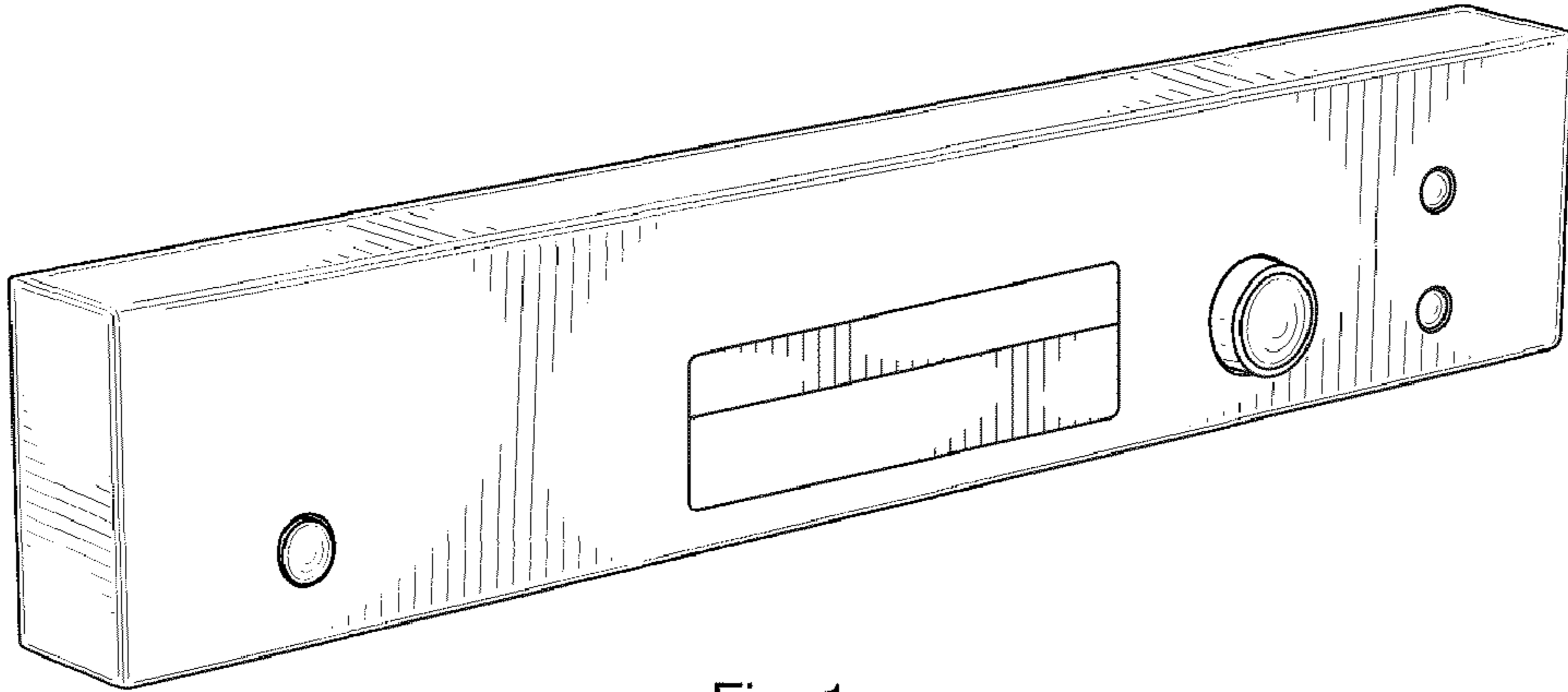


Fig. 1

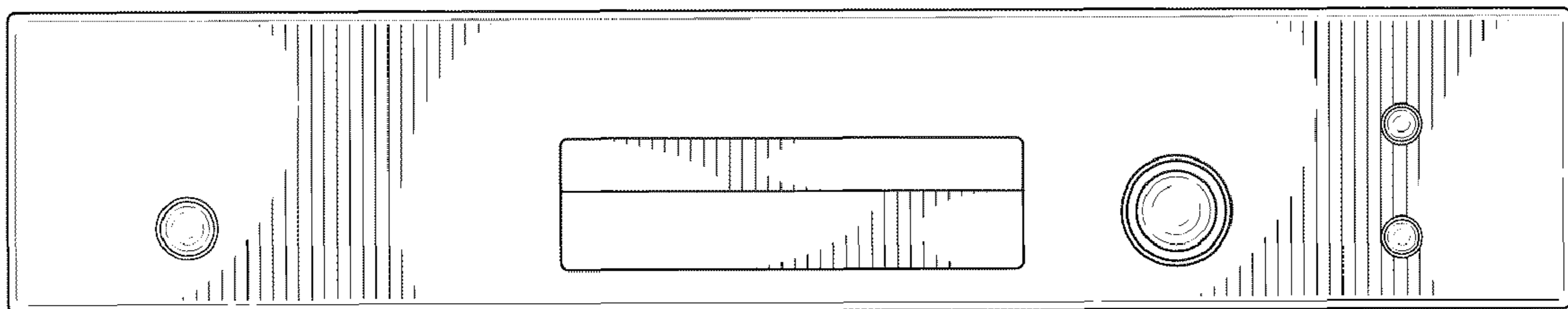


Fig. 2

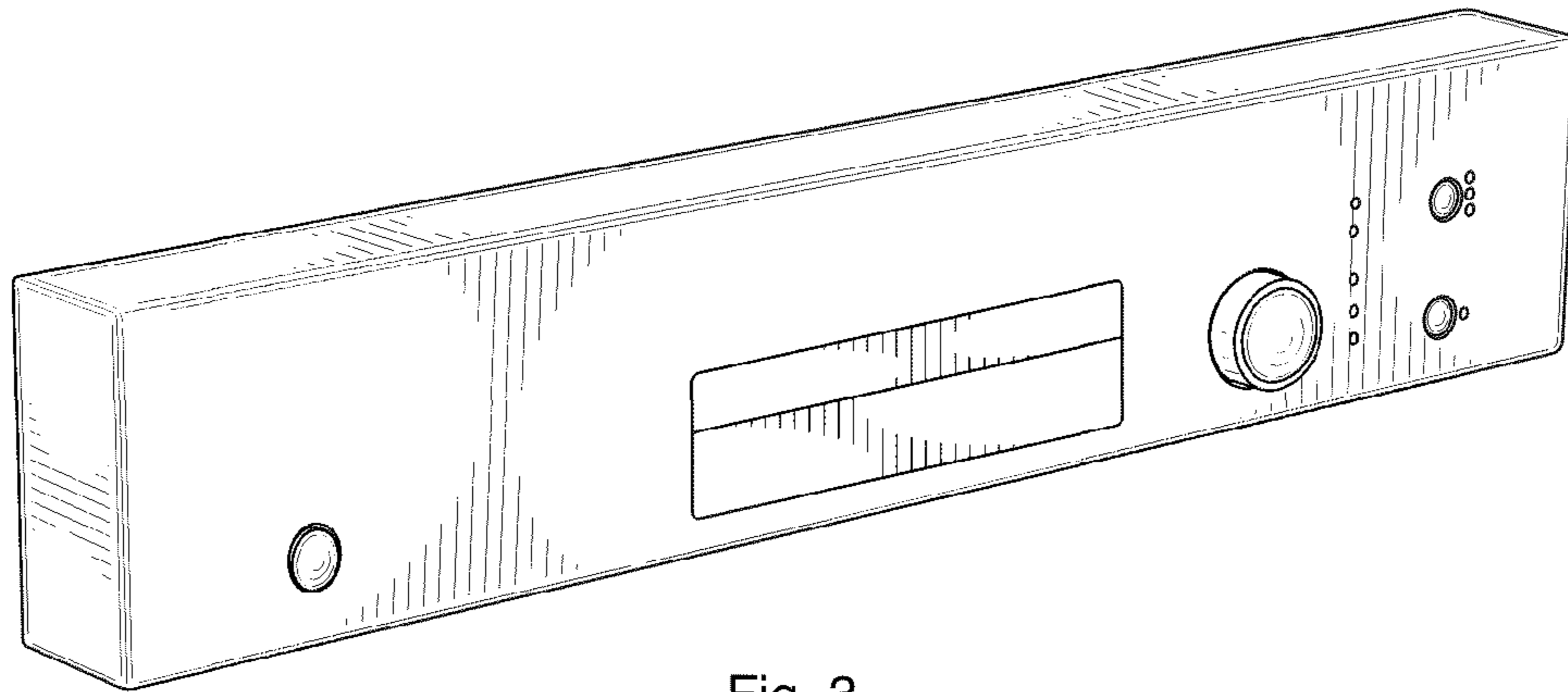


Fig. 3

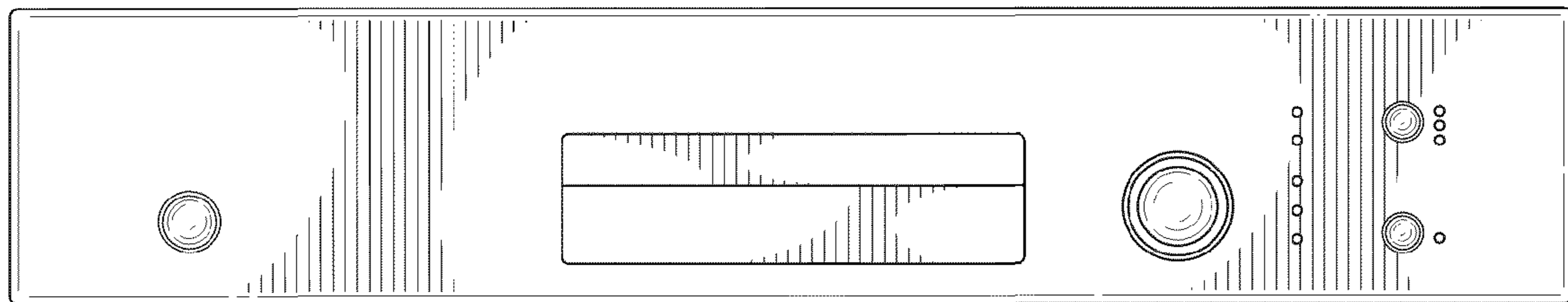


Fig. 4

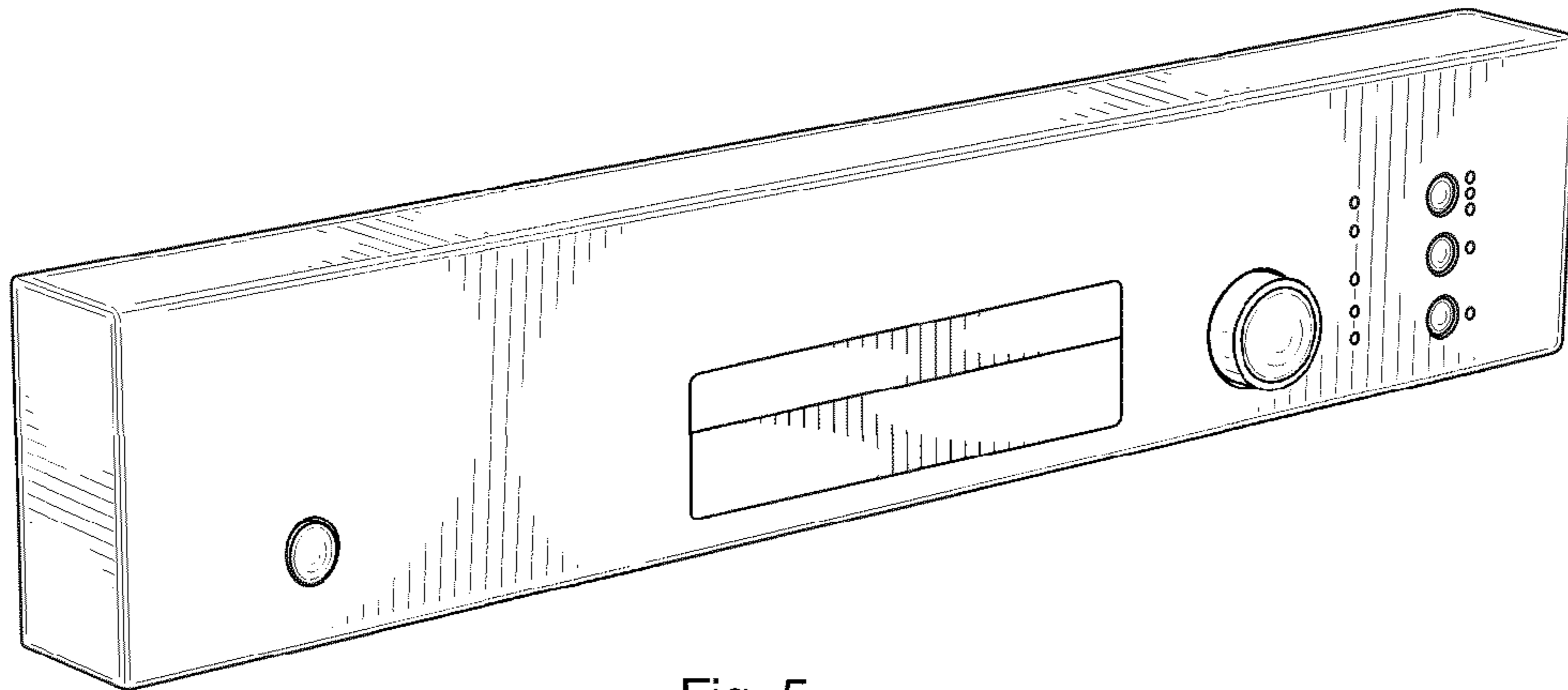


Fig. 5

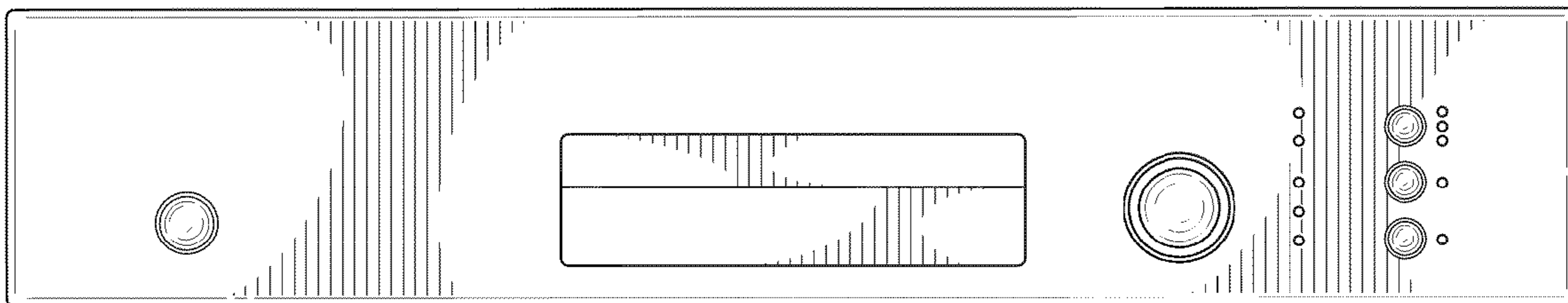


Fig. 6

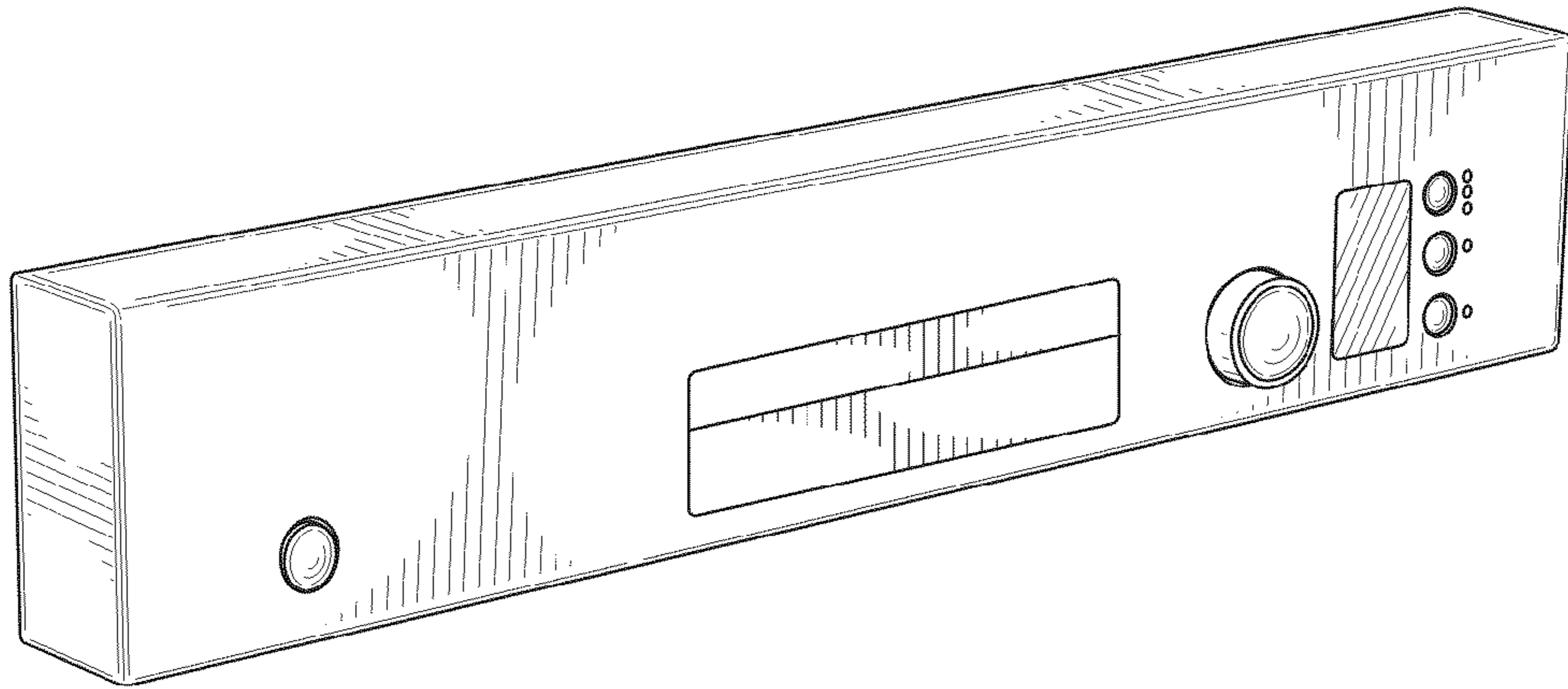


Fig. 7

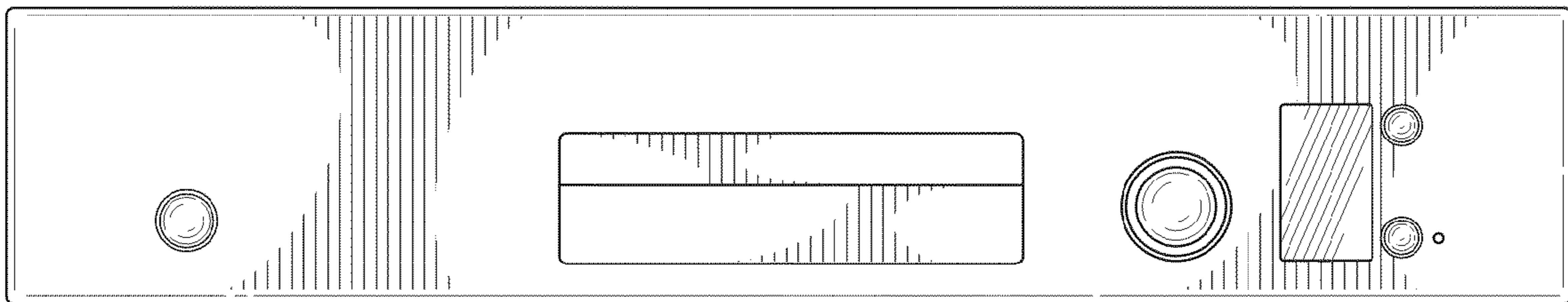


Fig. 8

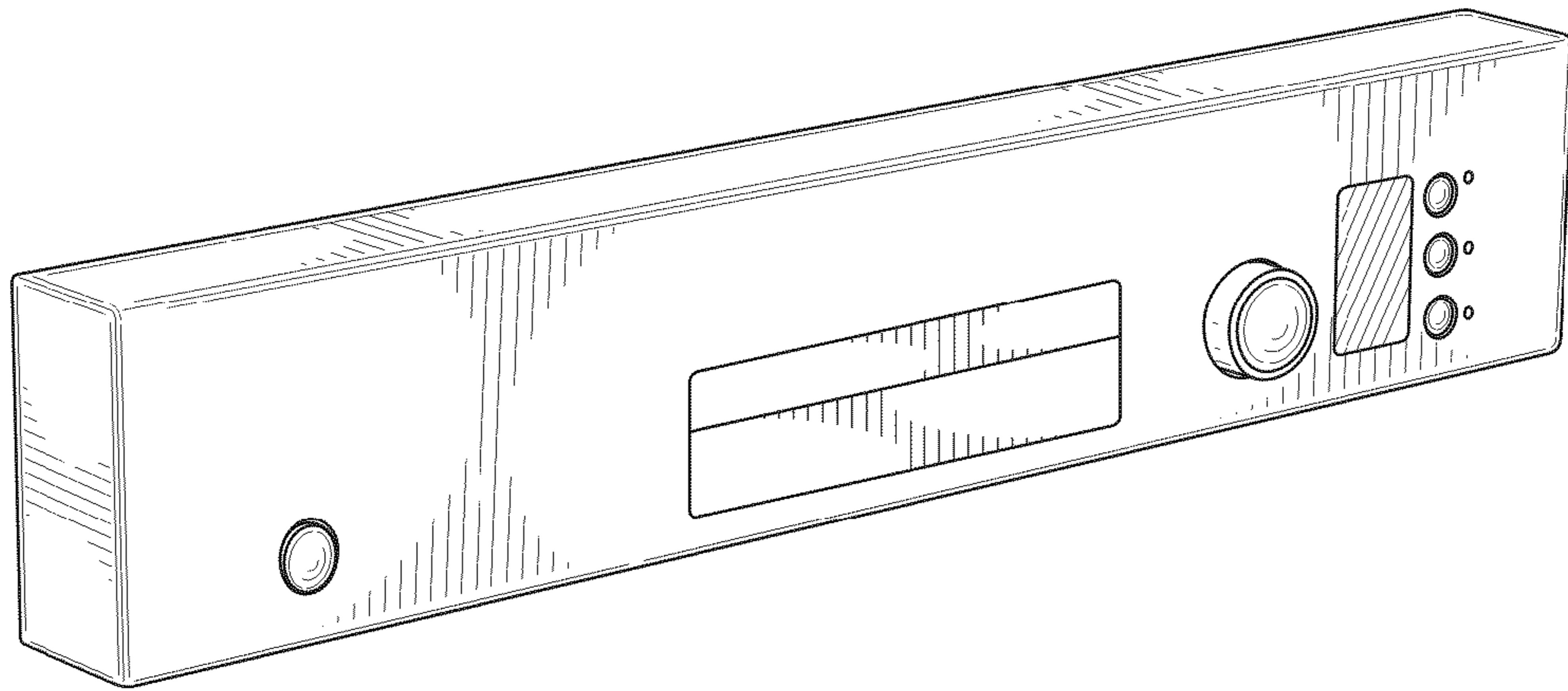


Fig. 9

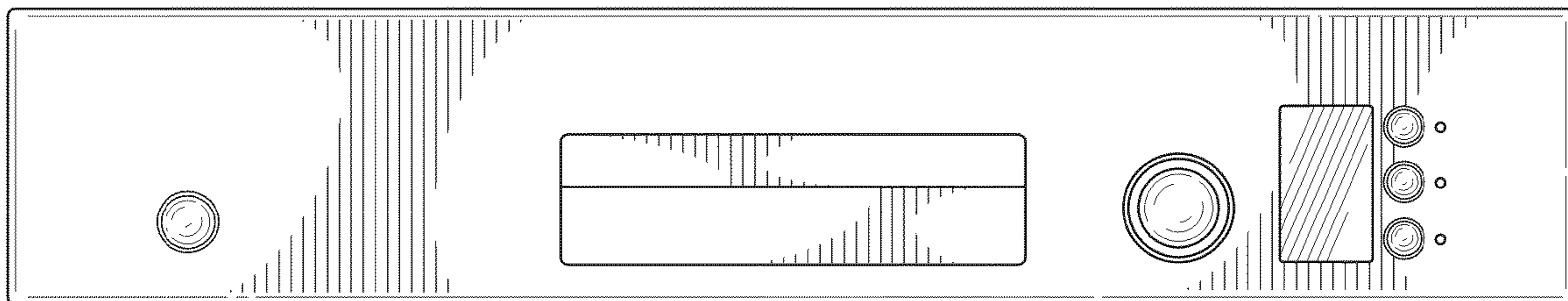


Fig. 10