

US00D645616S

(12) **United States Design Patent**  
**Wells**

(10) **Patent No.:** **US D645,616 S**

(45) **Date of Patent:** **\*\* Sep. 20, 2011**

(54) **COSMETICS CONTAINER**

(76) Inventor: **Reginald Wells**, Mundelein, IL (US)

(\*\*) Term: **14 Years**

(21) Appl. No.: **29/347,998**

(22) Filed: **Sep. 8, 2010**

(51) **LOC (9) Cl.** ..... **28-03**

(52) **U.S. Cl.** ..... **D28/82**

(58) **Field of Classification Search** ..... D28/73,  
D28/76-84, 64.3; 132/286-288, 293-307,  
132/312-318; 206/581, 823

See application file for complete search history.

(56) **References Cited**

**U.S. PATENT DOCUMENTS**

D324,997 S *	3/1992	Jones	.....	D28/82
D439,376 S *	3/2001	Lerolle	.....	D28/82
D507,078 S *	7/2005	Greenfield	.....	D28/82
D517,738 S *	3/2006	Lai	.....	D28/82
D531,761 S *	11/2006	Zadeh et al.	.....	D28/83

D537,985 S *	3/2007	Bakic	.....	D28/82
D621,547 S *	8/2010	Wirgler et al.	.....	D28/82
D626,289 S *	10/2010	Lee	.....	D28/82
D634,477 S *	3/2011	Morabito	.....	D28/82

\* cited by examiner

*Primary Examiner* — Jennifer Rivard

(74) *Attorney, Agent, or Firm* — H. Jay Spiegel

(57) **CLAIM**

The ornamental design for a cosmetics container, as shown and described.

**DESCRIPTION**

FIG. 1 shows a perspective view of my claimed design.  
 FIG. 2 shows a front view of my claimed design.  
 FIG. 3 shows a rear view of my claimed design.  
 FIG. 4 shows a side view of my claimed design.  
 FIG. 5 shows a view from the other side of my claimed design.  
 FIG. 6 shows a top view of my claimed design; and,  
 FIG. 7 shows a bottom view of my claimed design.

**1 Claim, 4 Drawing Sheets**

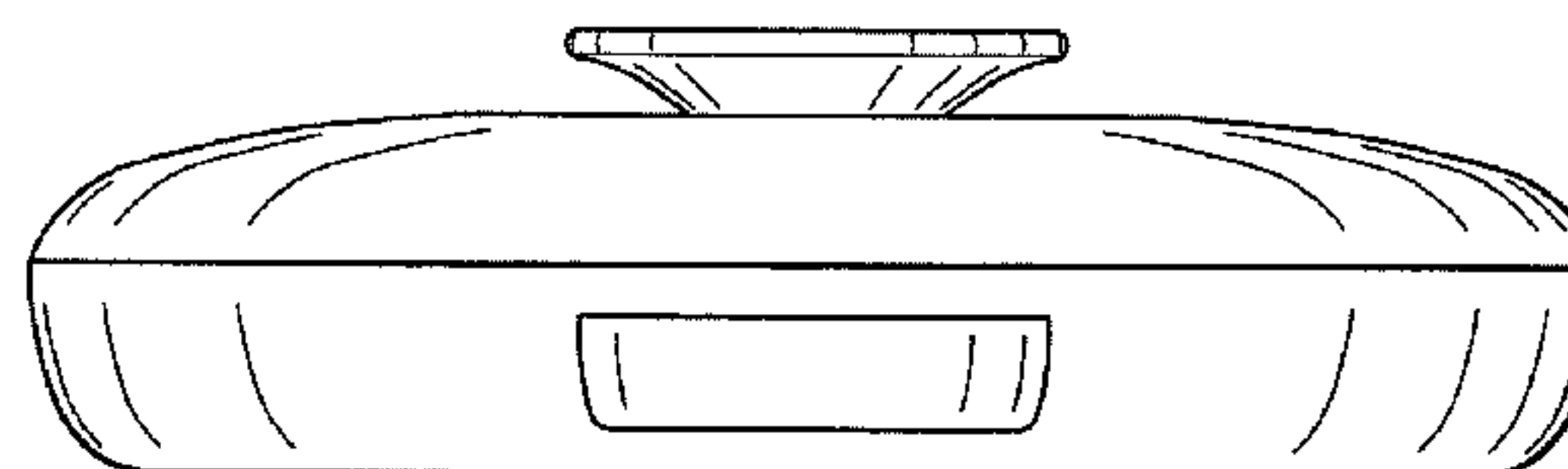
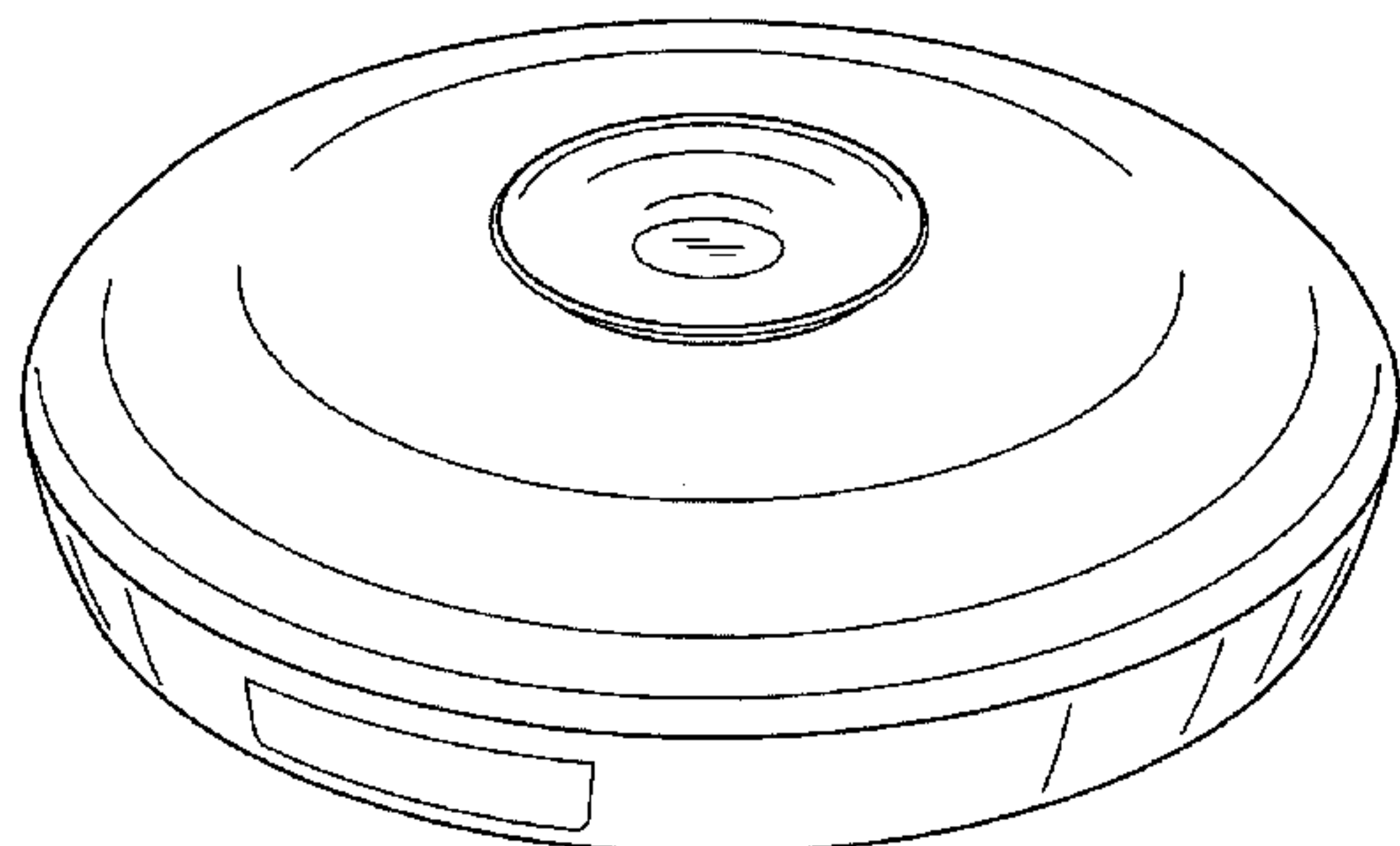


FIG. 1

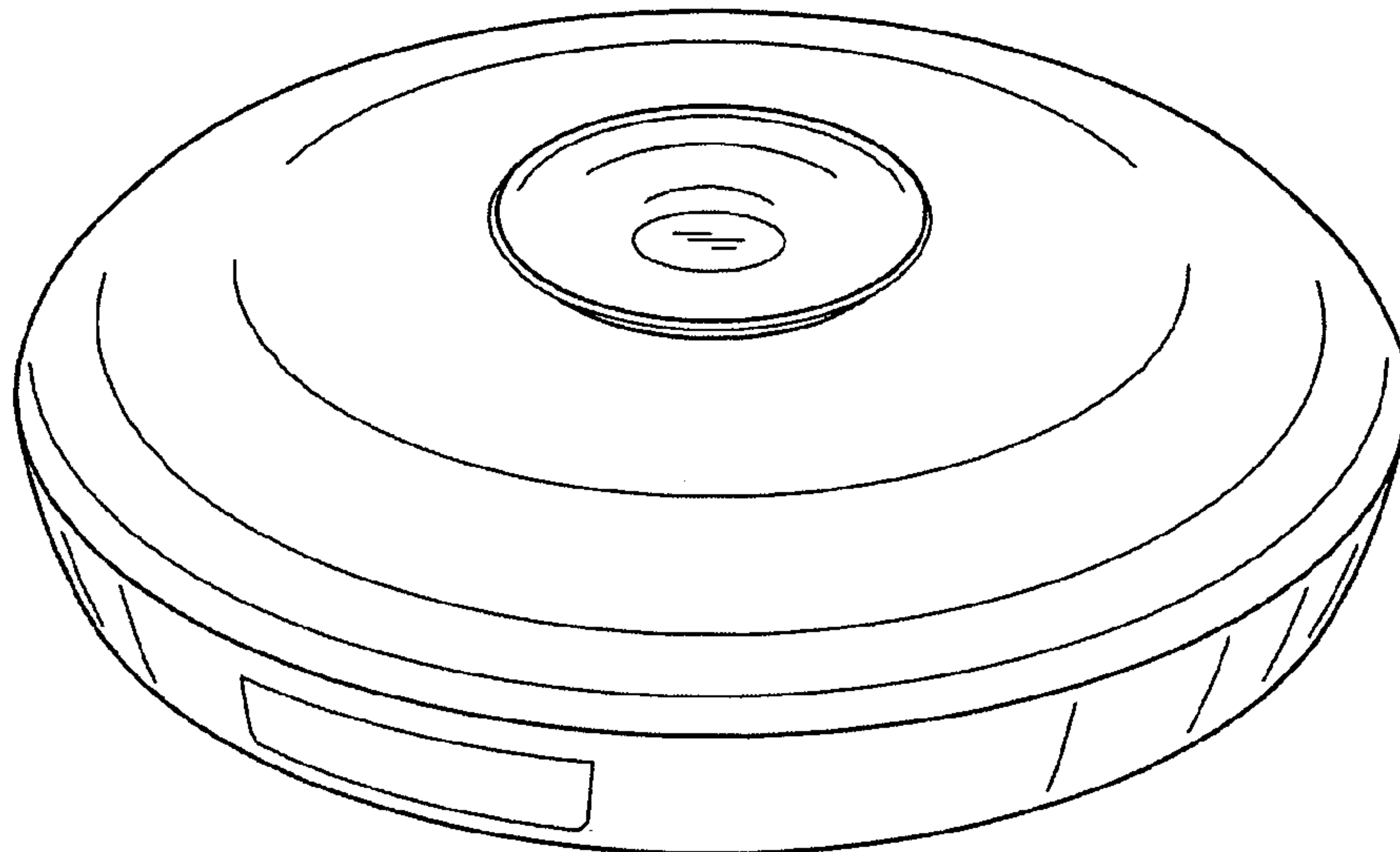


FIG. 2

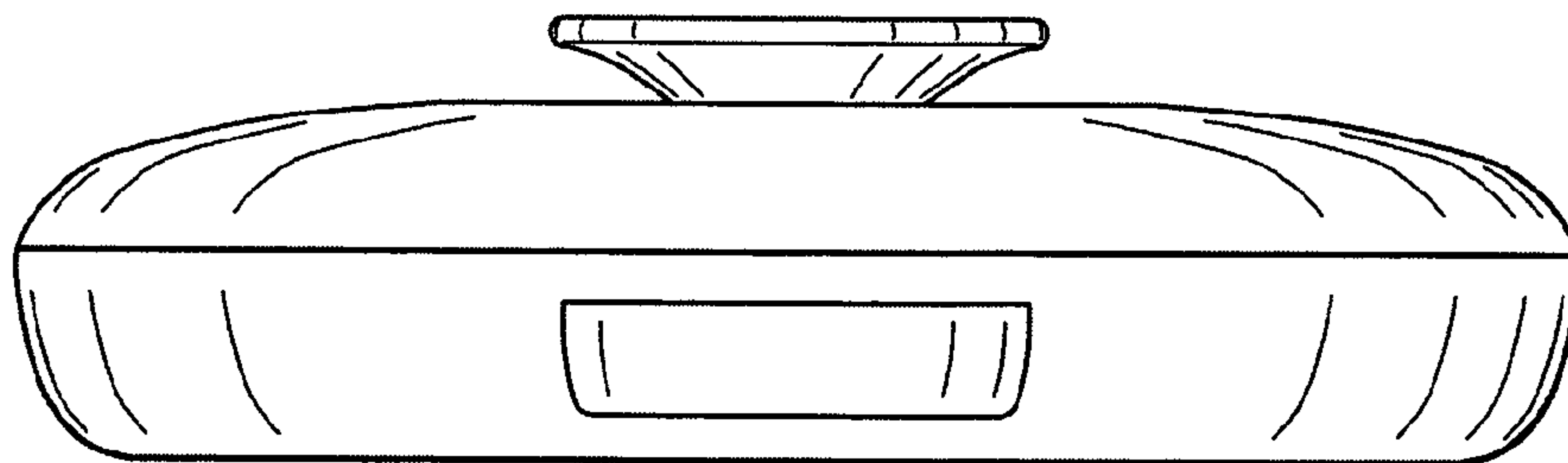


FIG. 3

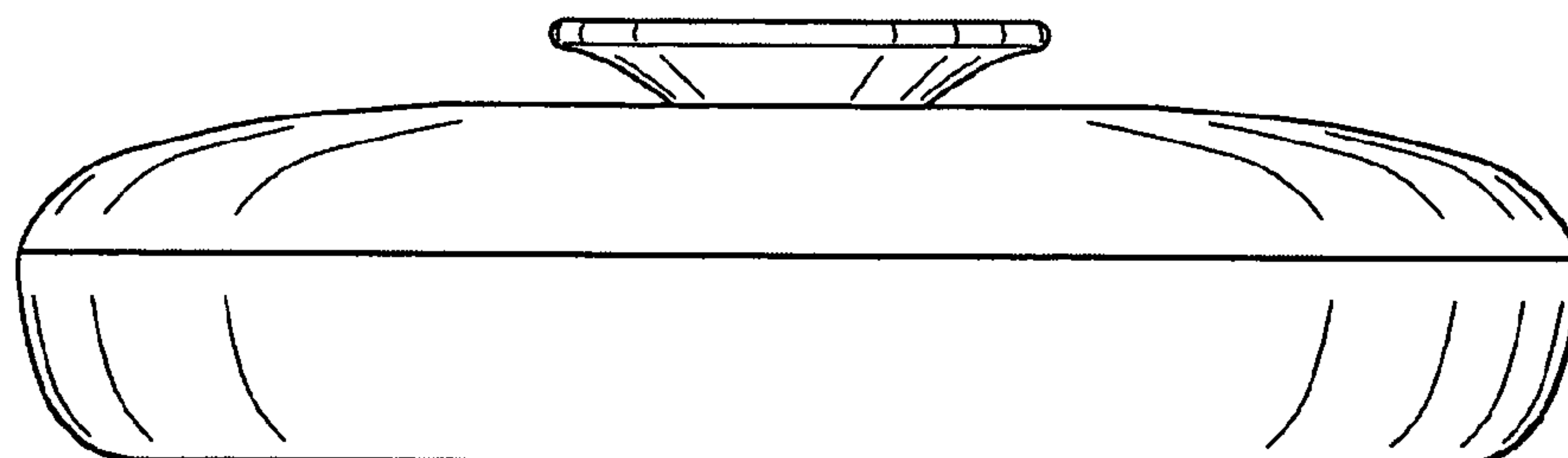


FIG. 4

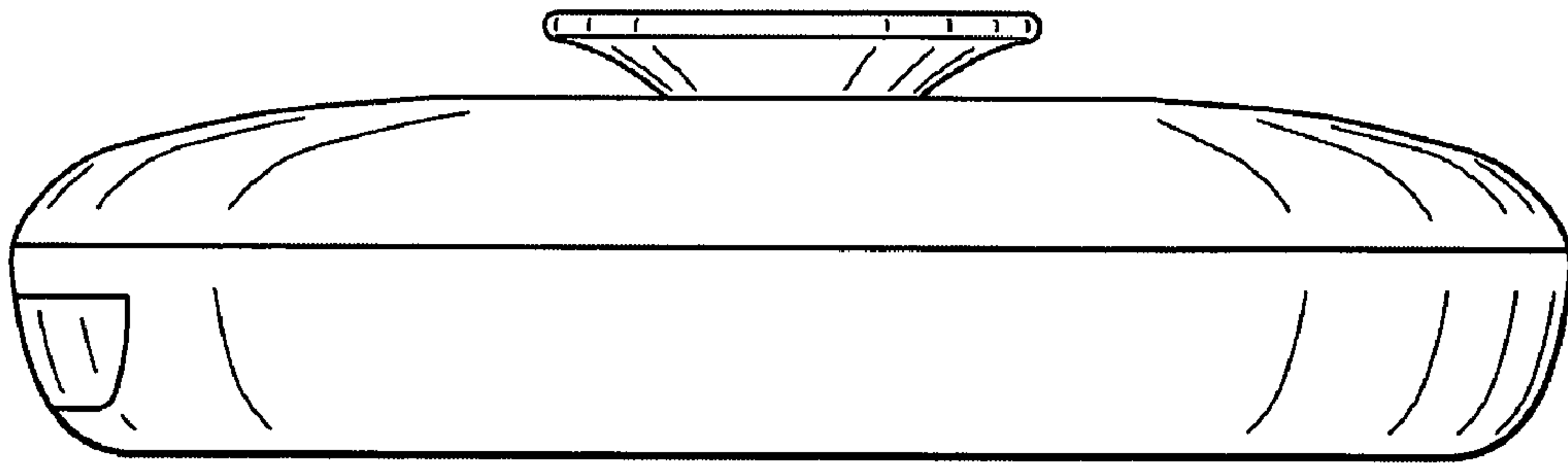


FIG. 5

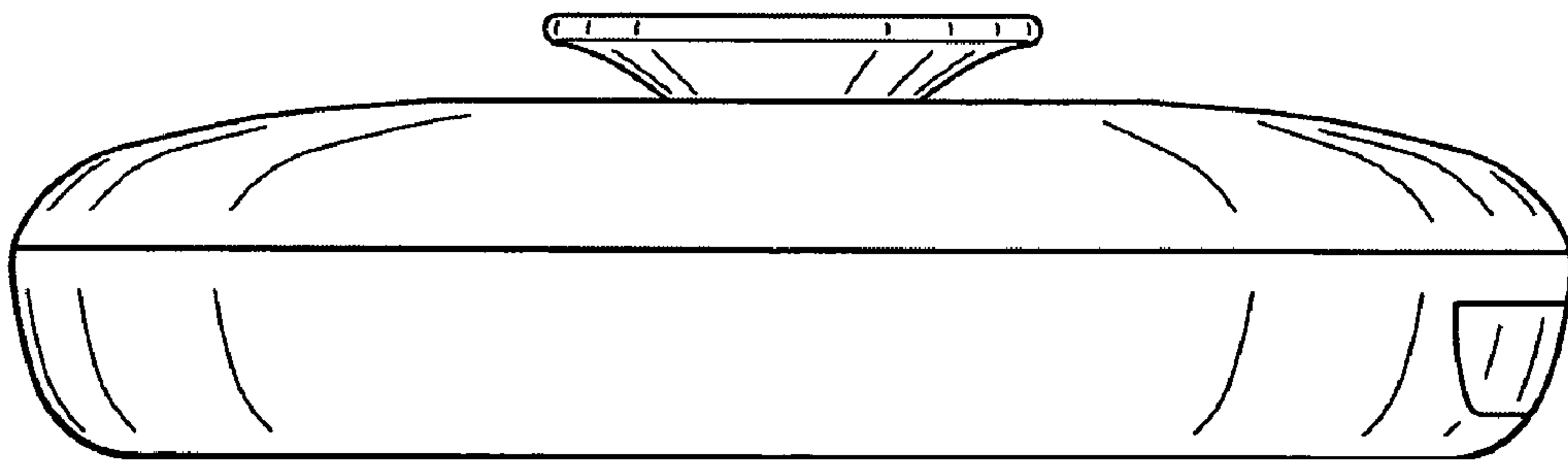


FIG. 6

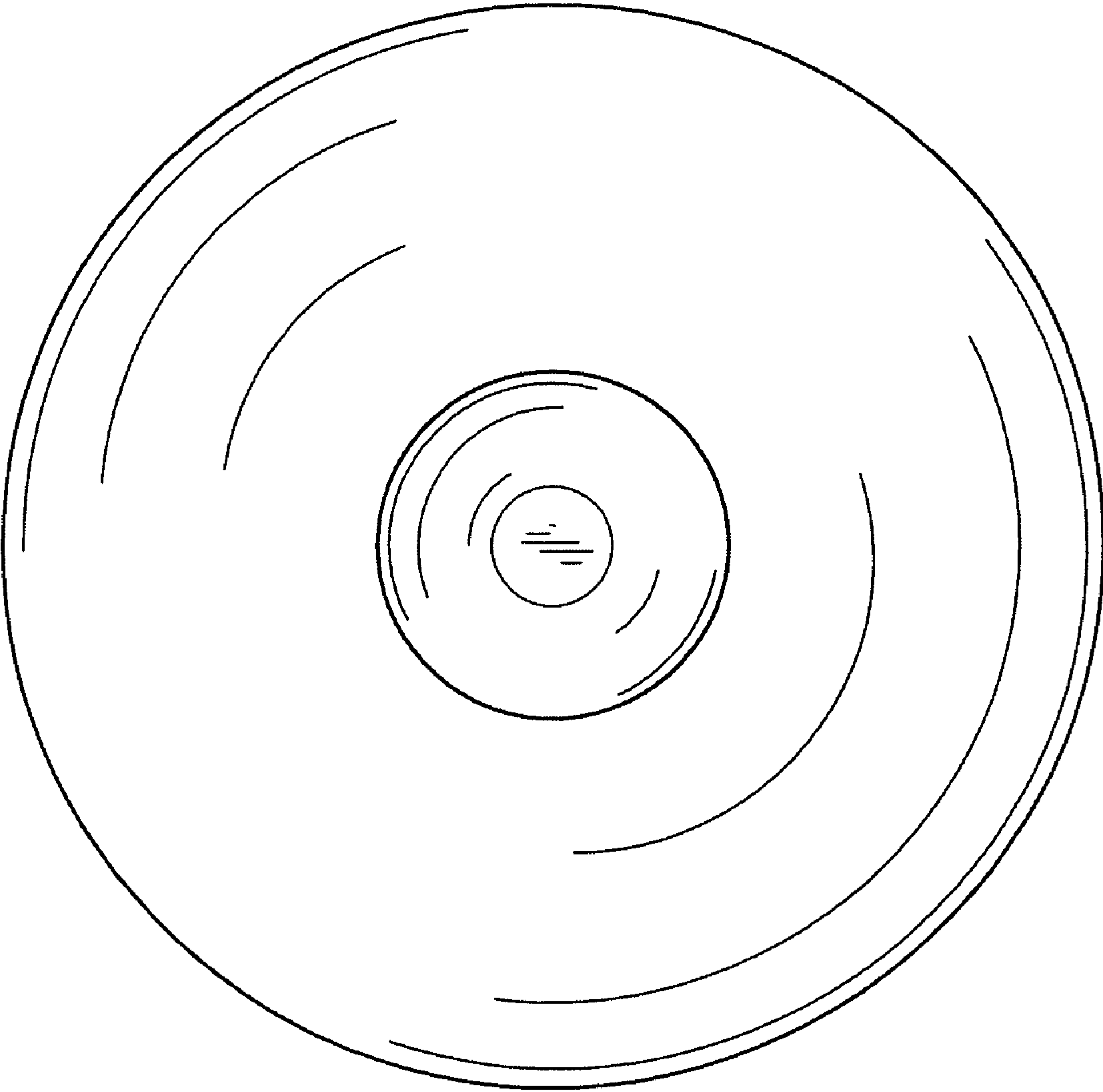


FIG. 7

