



US00D645614S

(12) **United States Design Patent**
Kim

(10) **Patent No.:** **US D645,614 S**

(45) **Date of Patent:** **** Sep. 20, 2011**

(54) **HAIR IRON**

(75) Inventor: **Hae Jin Kim**, Seoul-si (KR)

(73) Assignee: **GHD Korea, Inc.**, Chungcheongnam-do (KR)

(**) Term: **14 Years**

(21) Appl. No.: **29/372,283**

(22) Filed: **Nov. 3, 2010**

(30) **Foreign Application Priority Data**

Sep. 1, 2010 (KR) 30-2010-00038206

(51) **LOC (9) Cl.** **28-03**

(52) **U.S. Cl.** **D28/35**

(58) **Field of Classification Search** D4/100,
D4/114, 133, 134, 120; 30/28, 29; D24/143,
D24/153; 132/74.5, 223, 224, 226, 228,
132/232, 233, 132, 248, 222, 251, 249, 238,
132/262, 123, 118, 121, 122, 227, 229, 237,
132/266, 285, 200; D30/158; D28/35, 9,
D28/10, 11, 12, 13, 37, 38, 73, 75, 55, 60,
D28/61, 44, 57, 58, 59; 219/222, 242, 218,
219/521, 226, 225, 229; D8/52; D32/35;
D7/686; D6/567, 608, 583; D3/205; 206/349
See application file for complete search history.

(56) **References Cited**

U.S. PATENT DOCUMENTS

D480,836 S	*	10/2003	Kaizuka	D28/35
D482,491 S	*	11/2003	Maesawa et al.	D28/35
D485,011 S	*	1/2004	Nam	D28/35
D535,437 S	*	1/2007	Ceva	D28/35
D537,983 S	*	3/2007	Shin	D28/35
D538,977 S	*	3/2007	Shin	D28/35

D543,314 S	*	5/2007	Morgandi	D28/35
D544,646 S	*	6/2007	Overend	D28/35
D567,440 S	*	4/2008	Migliori et al.	D28/35
D569,549 S	*	5/2008	Leung	D28/35
D575,453 S	*	8/2008	Overend	D28/35
D586,040 S	*	2/2009	Kim	D28/35
D596,791 S	*	7/2009	Russo	D28/35
D596,794 S	*	7/2009	Keong	D28/35
D596,800 S	*	7/2009	Kwok	D28/35
D599,058 S	*	8/2009	Kim	D28/35
D606,254 S	*	12/2009	Leung	D28/35
D609,401 S	*	2/2010	Yang	D28/35
2005/0081876 A1	*	4/2005	Choi	132/224
2006/0037625 A1	*	2/2006	Kayser et al.	132/224
2007/0209673 A1	*	9/2007	Choi	132/224
2007/0218746 A1	*	9/2007	Hur	439/369

* cited by examiner

Primary Examiner — Cathron Brooks

Assistant Examiner — Kevin Rudzinski

(74) *Attorney, Agent, or Firm* — Hoffman & Baron, LLP

(57) **CLAIM**

The ornamental design for a hair iron, as shown and described.

DESCRIPTION

FIG. 1 is a top perspective view of a hair iron showing my new design;

FIG. 2 is a right side elevation view thereof;

FIG. 3 is a left side elevation view thereof;

FIG. 4 is a front elevation view thereof;

FIG. 5 is a rear elevation view thereof;

FIG. 6 is a top plan view thereof; and,

FIG. 7 is a bottom plan view thereof.

The broken lines shown in the drawings illustrate portions of the hair iron and form no part of the claimed design.

1 Claim, 4 Drawing Sheets

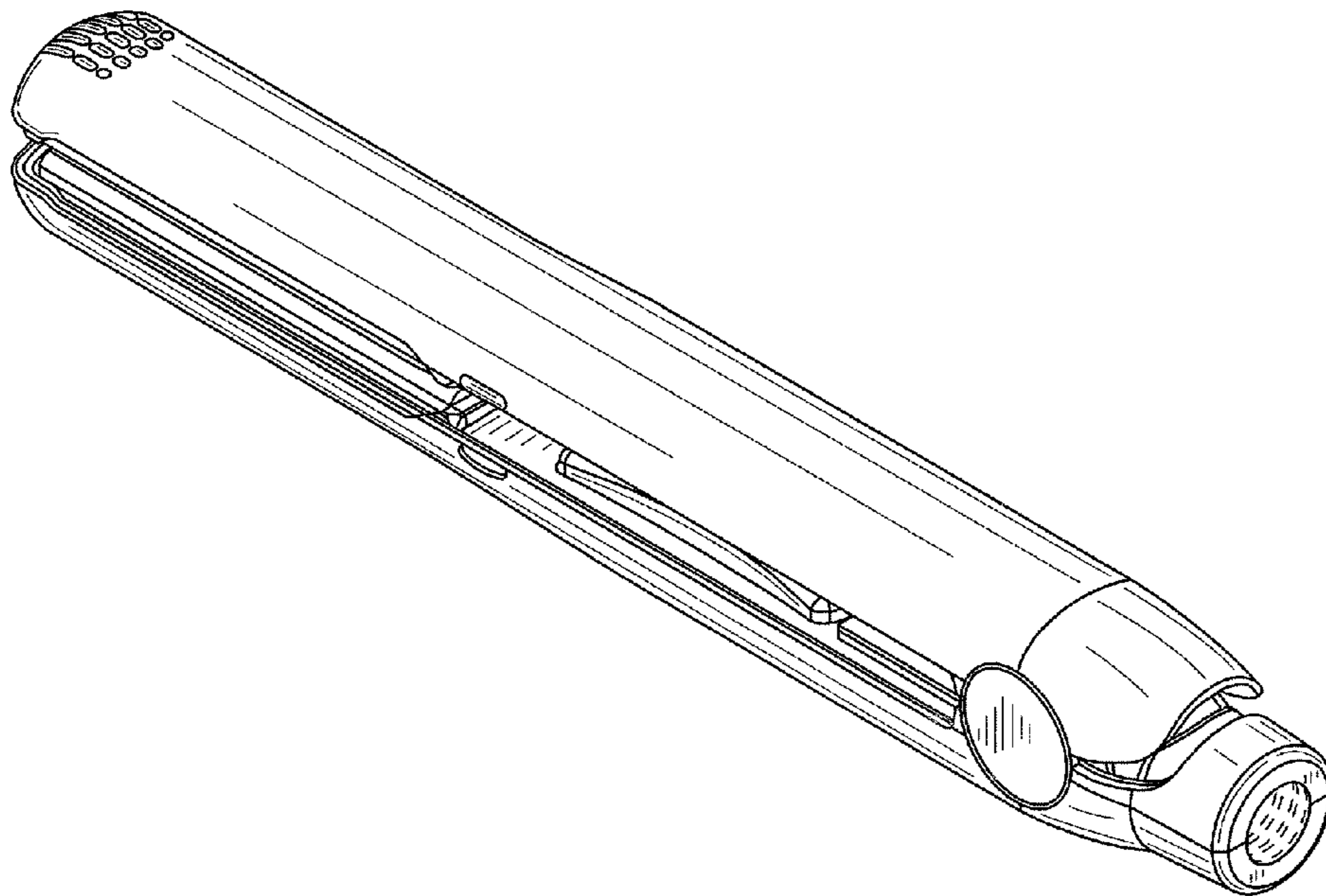


FIG. 1

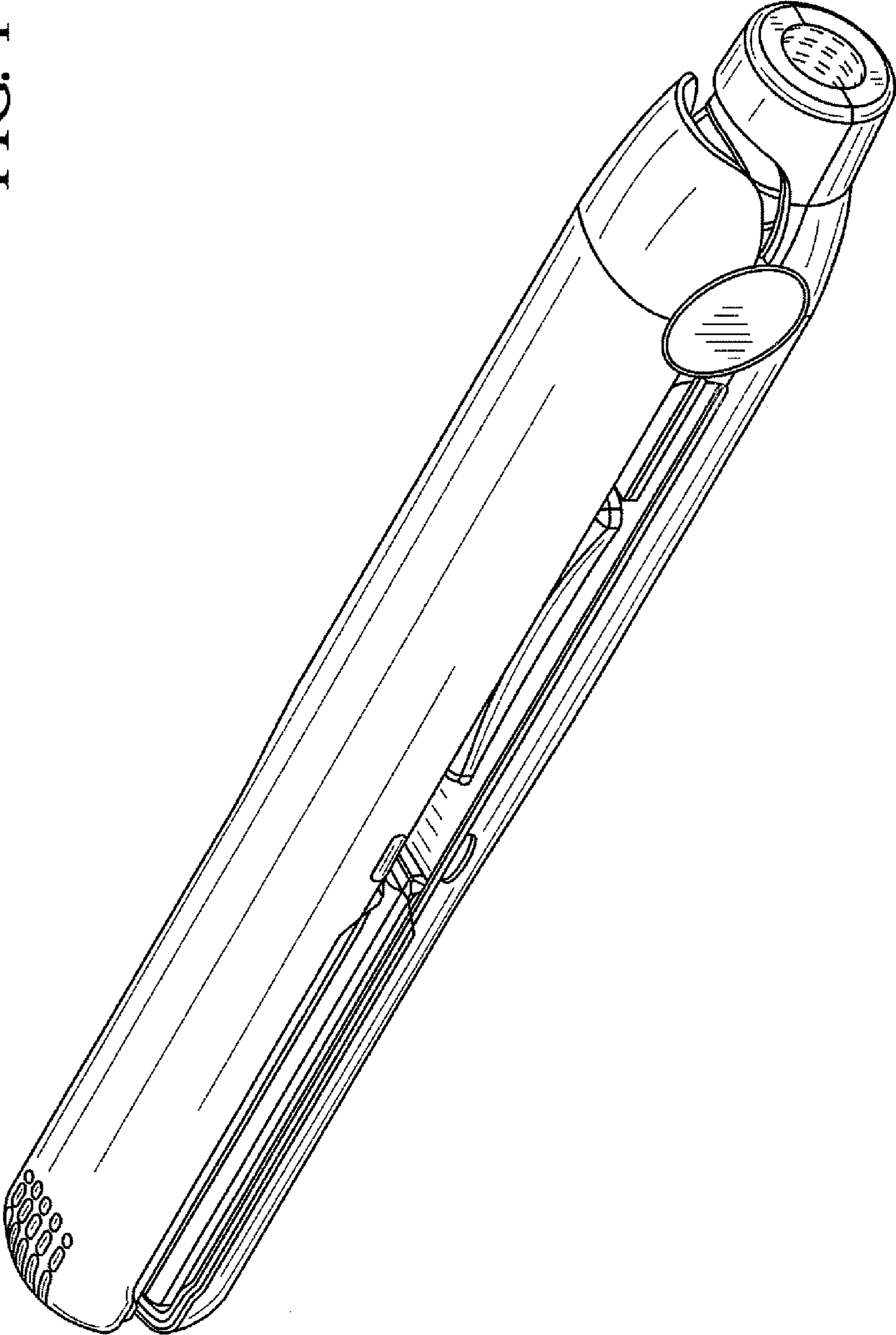


FIG. 2

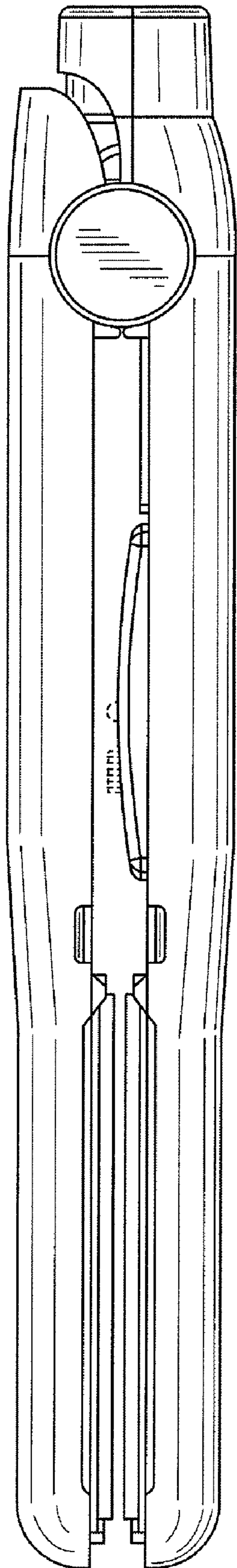


FIG. 3

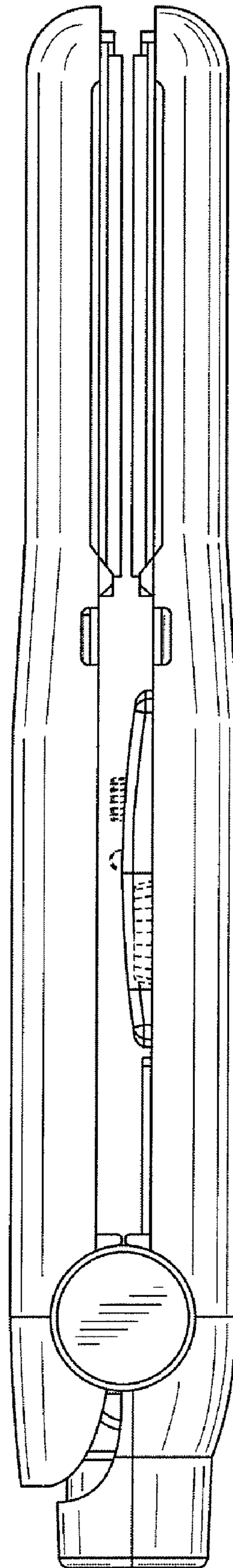


FIG. 5

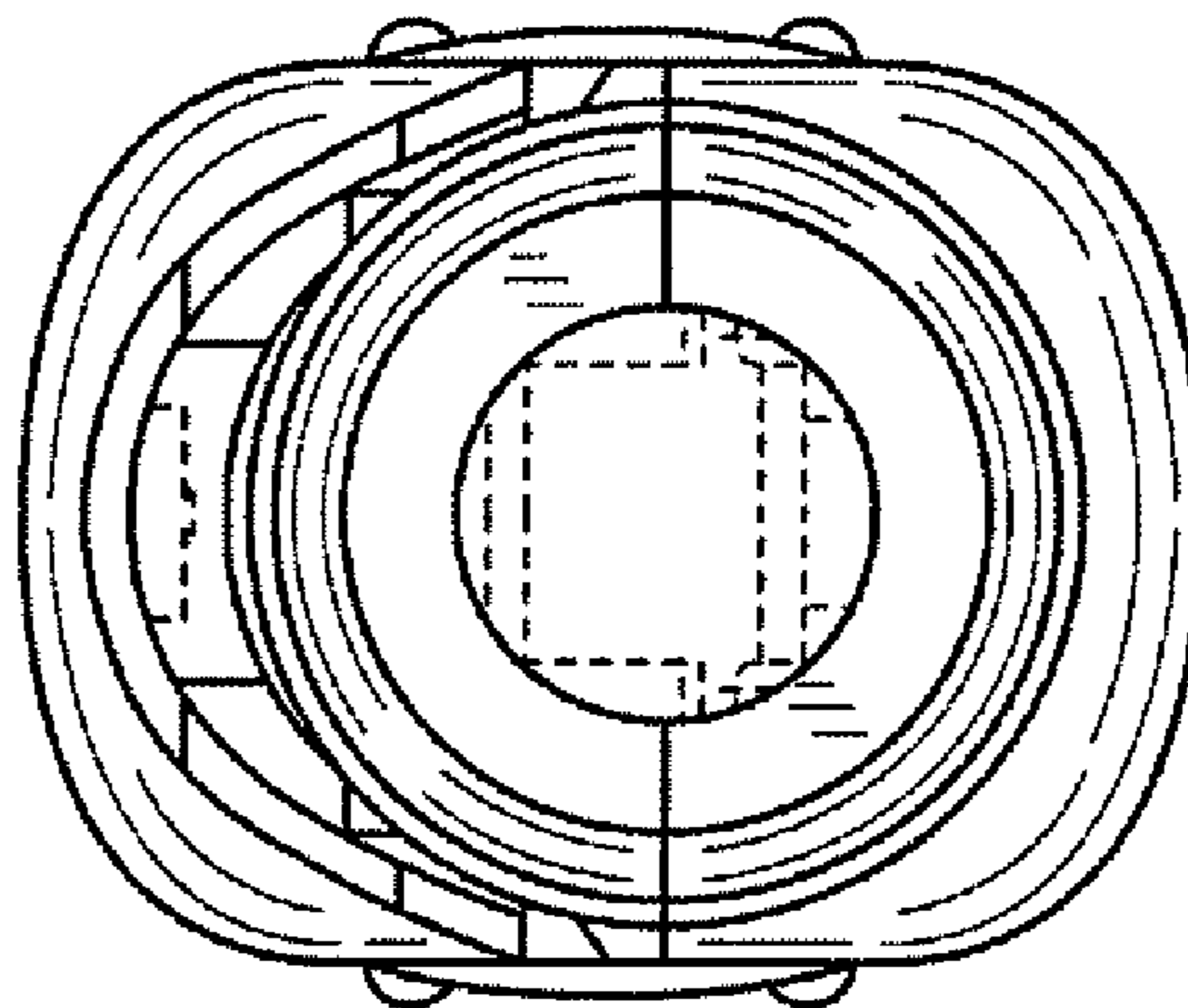


FIG. 4

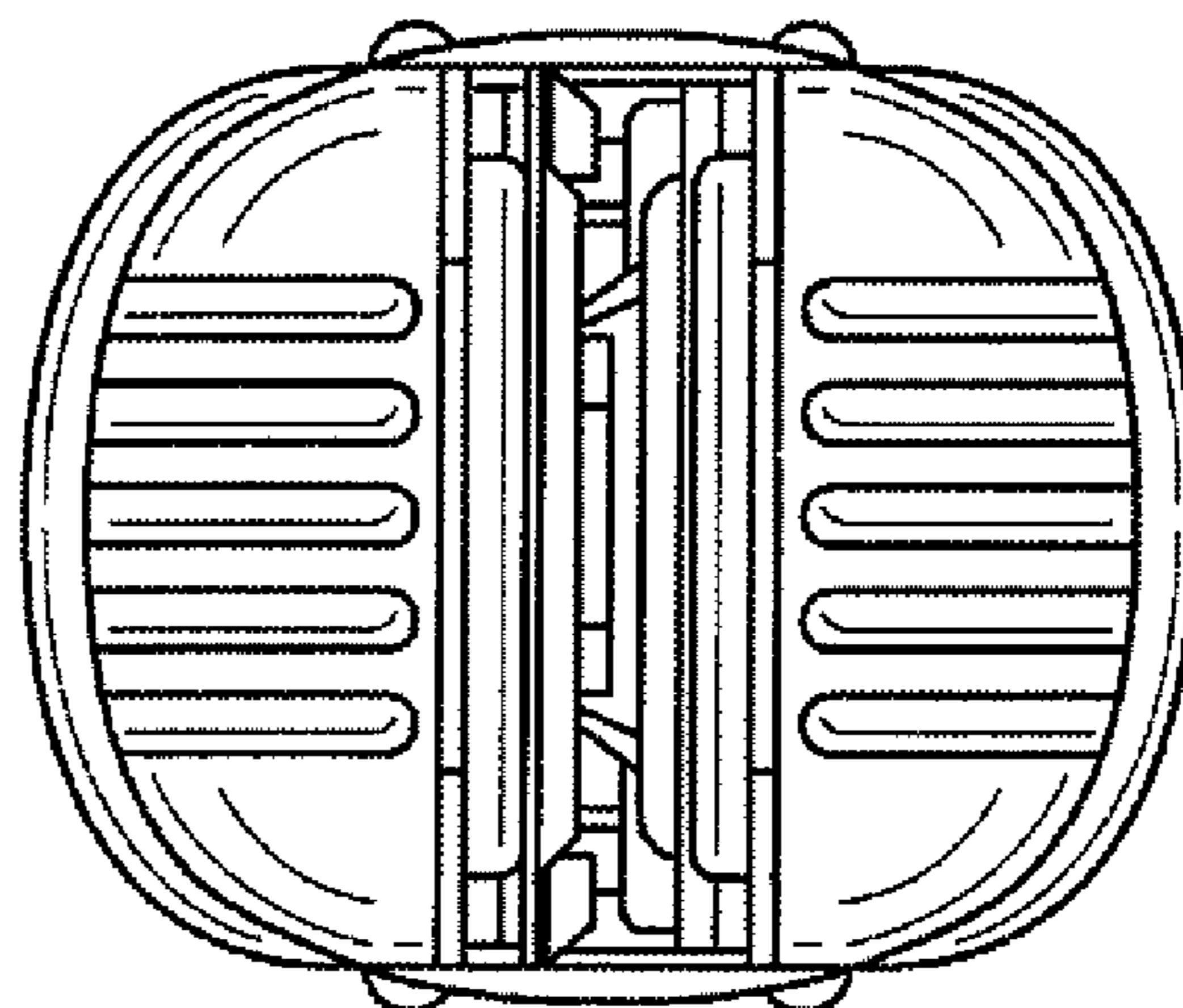


FIG. 6

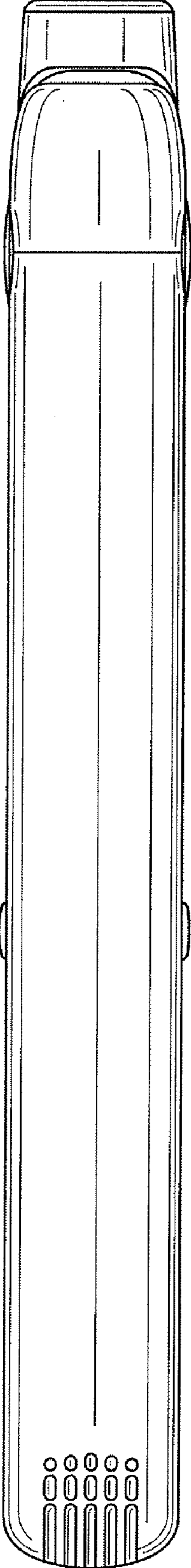


FIG. 7

