



US00D645613S

(12) **United States Design Patent**
Schmitz

(10) **Patent No.:** **US D645,613 S**

(45) **Date of Patent:** **** Sep. 20, 2011**

(54) **HAIR STRAIGHTENER**

(75) Inventor: **Ingo Schmitz**, Duisburg (DE)

(73) Assignee: **WIK Far East Ltd.**, Hong Kong (HK)

(**) Term: **14 Years**

(21) Appl. No.: **29/367,320**

(22) Filed: **Aug. 5, 2010**

(51) **LOC (9) Cl.** **28-03**

(52) **U.S. Cl.** **D28/35**

(58) **Field of Classification Search** D4/100,
D4/114, 133, 134, 120; 30/28, 29; D24/143,
D24/153; 132/74.5, 223, 224, 226, 228,
132/232, 233, 132, 248, 222, 251, 249, 238,
132/262, 123, 118, 121, 122, 227, 229, 237,
132/266, 285, 200; D30/158; D28/35, 9,
D28/10, 11, 12, 13, 37, 38, 73, 75, 55, 60,
D28/61, 44, 57, 58, 59; 219/222, 242, 218,
219/521, 226, 225, 229; D8/52; D32/35;
D7/686; D6/567, 608, 583; D3/205; 206/349
See application file for complete search history.

(56) **References Cited**

U.S. PATENT DOCUMENTS

6,278,086	B1	8/2001	Janouch et al.	
D485,011	S *	1/2004	Nam	D28/35
6,895,975	B2	5/2005	Hafemann	
D535,437	S *	1/2007	Ceva	D28/35
D543,314	S *	5/2007	Morgandi	D28/35
D544,646	S *	6/2007	Overend	D28/35
7,243,661	B2 *	7/2007	Lun et al.	132/224
7,287,532	B2	10/2007	Hafemann	
D575,453	S *	8/2008	Overend	D28/35

(Continued)

FOREIGN PATENT DOCUMENTS

DE 19750119 5/1999

(Continued)

OTHER PUBLICATIONS

U.S. Appl. No. 29/367,319, filed Aug. 5, 2010; Inventor: Ingo Schmitz.

(Continued)

Primary Examiner — Cathron Brooks

Assistant Examiner — Kevin K Rudzinski

(74) *Attorney, Agent, or Firm* — Margaret Polson; Oppedahl Patent Law Firm LLC

(57) **CLAIM**

The ornamental design for a hair straightener, as shown and described.

DESCRIPTION

FIG. 1 is a front perspective view of my new design for a hair straightener. The power cord shown in dotted lines is an unclaimed environmental feature and forms no part of the claimed design.

FIG. 2 is a top plan view of FIG. 1.

FIG. 3 is a bottom plan view of FIG. 1.

FIG. 4 is a left side elevation view of FIG. 1.

FIG. 5 is a right side elevation view of FIG. 1.

FIG. 6 is a front side elevation view of FIG. 1.

FIG. 7 is a rear side elevation view of FIG. 1.

FIG. 8 is a front perspective view of an alternate embodiment of my new design for a hair straightener. The power cord and buttons show in dotted lines are unclaimed environmental features and form no part of the claimed design.

FIG. 9 is a top plan view of FIG. 8.

FIG. 10 is a bottom plan view of FIG. 8.

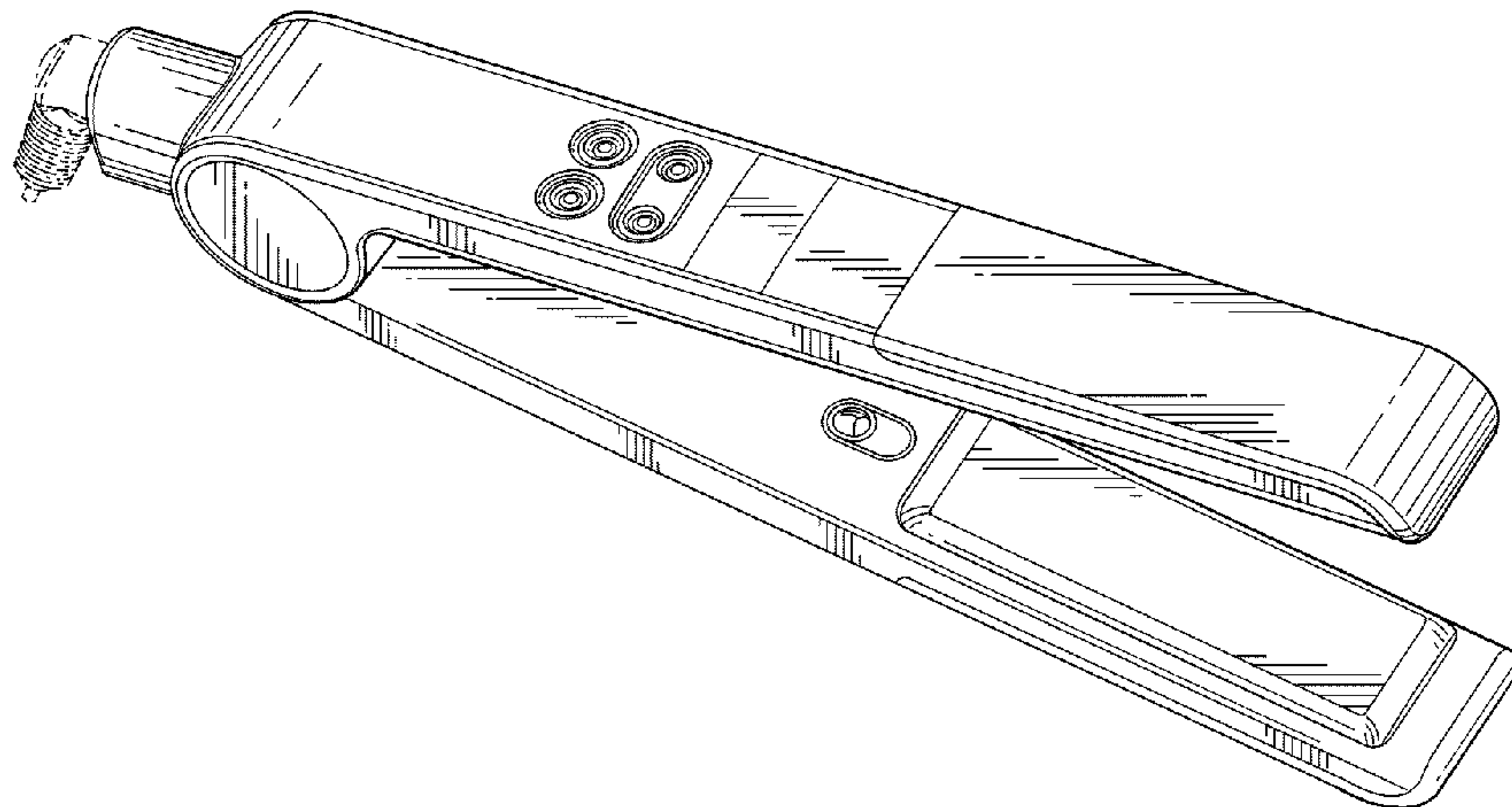
FIG. 11 is a left side elevation view of FIG. 8.

FIG. 12 is a right side elevation view of FIG. 8.

FIG. 13 is a front side elevation view of FIG. 8; and,

FIG. 14 is a rear side elevation view of FIG. 8.

1 Claim, 4 Drawing Sheets



US D645,613 S

Page 2

U.S. PATENT DOCUMENTS

D596,791	S	*	7/2009	Russo	D28/35
D596,794	S	*	7/2009	Keong	D28/35
D596,800	S	*	7/2009	Kwok	D28/35
D599,058	S	*	8/2009	Kim	D28/35
D606,254	S	*	12/2009	Leung	D28/35
D609,401	S	*	2/2010	Yang	D28/35
2005/0081876	A1	*	4/2005	Choi	132/224
2006/0037625	A1	*	2/2006	Kayser et al.	132/224
2007/0209673	A1	*	9/2007	Choi	132/224
2007/0218746	A1	*	9/2007	Hur	439/369
2009/0266378	A1		10/2009	Nunomura		
2010/0147323	A1		6/2010	Hafemann		
2010/0147324	A1		6/2010	Hafemann		

FOREIGN PATENT DOCUMENTS

DE	20200971	6/2002
EP	1472951	11/2004

EP	1958531	8/2008
FR	2913570	9/2008
WO	03061416	7/2003

OTHER PUBLICATIONS

Corresponding German design patent application DE 40 2009 006

133.3, for which priority was not claimed. This design patent registered in Germany on Jan. 15, 2010, however, publication of the drawings has been delayed at the request of the Applicant. The attached drawings have not yet been published.

* cited by examiner

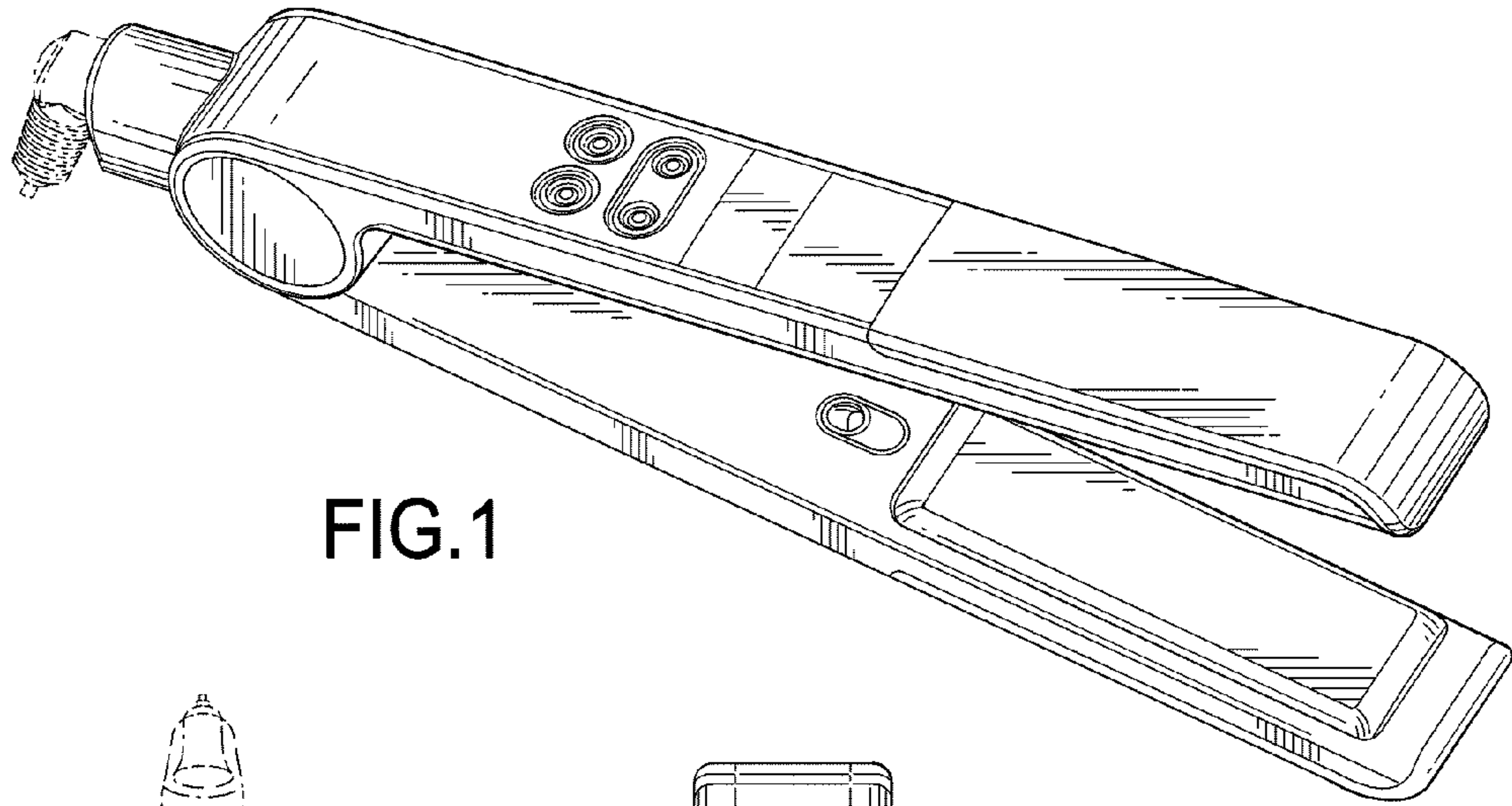


FIG.1

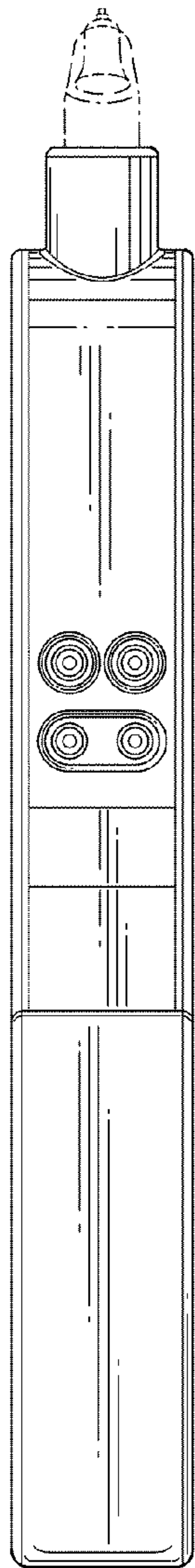


FIG.2

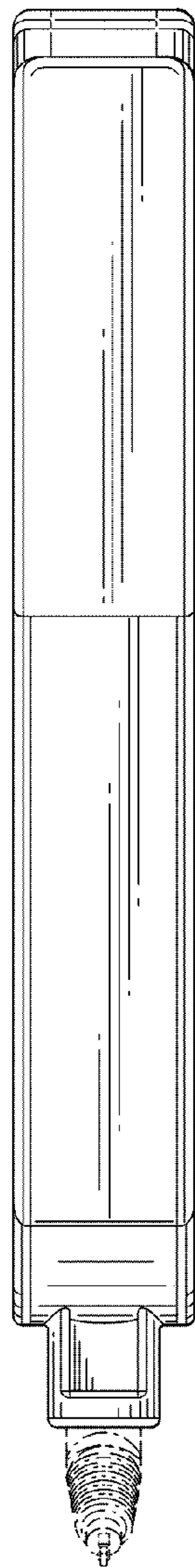


FIG.3

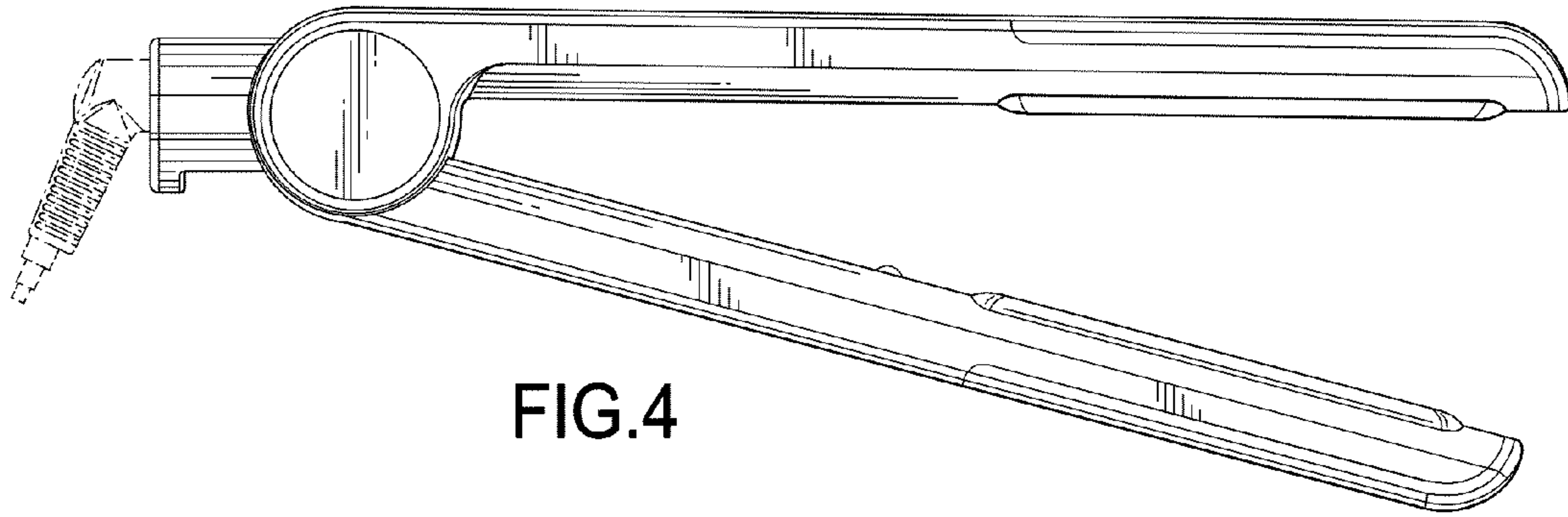


FIG. 4

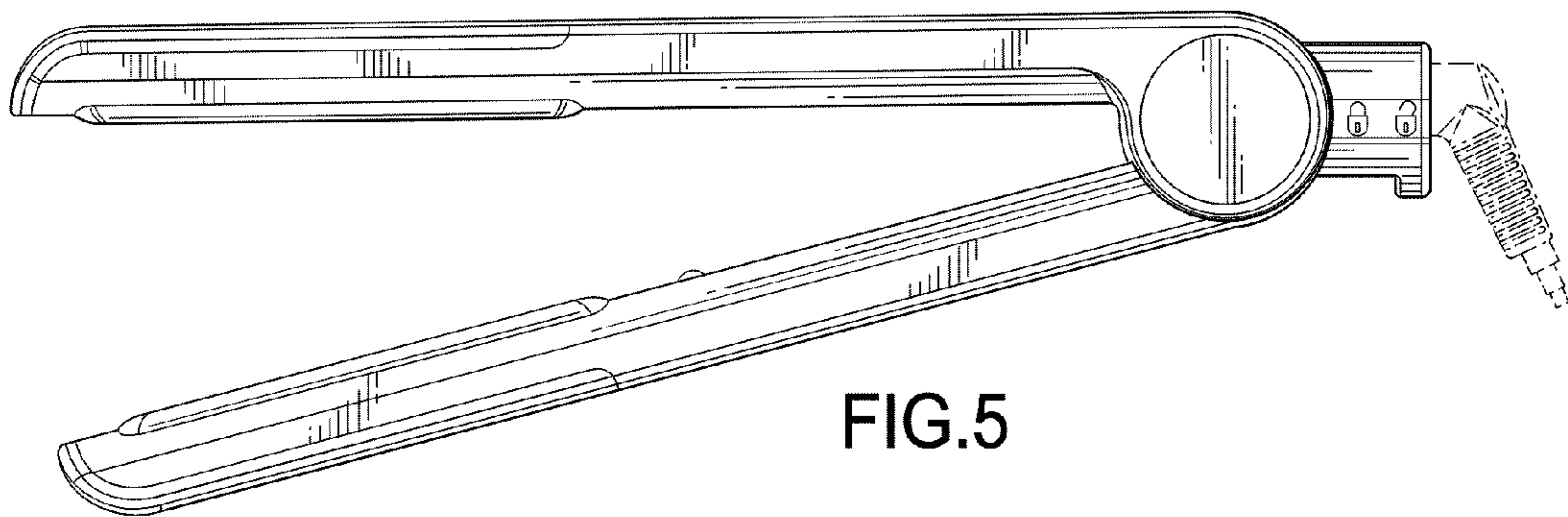


FIG. 5

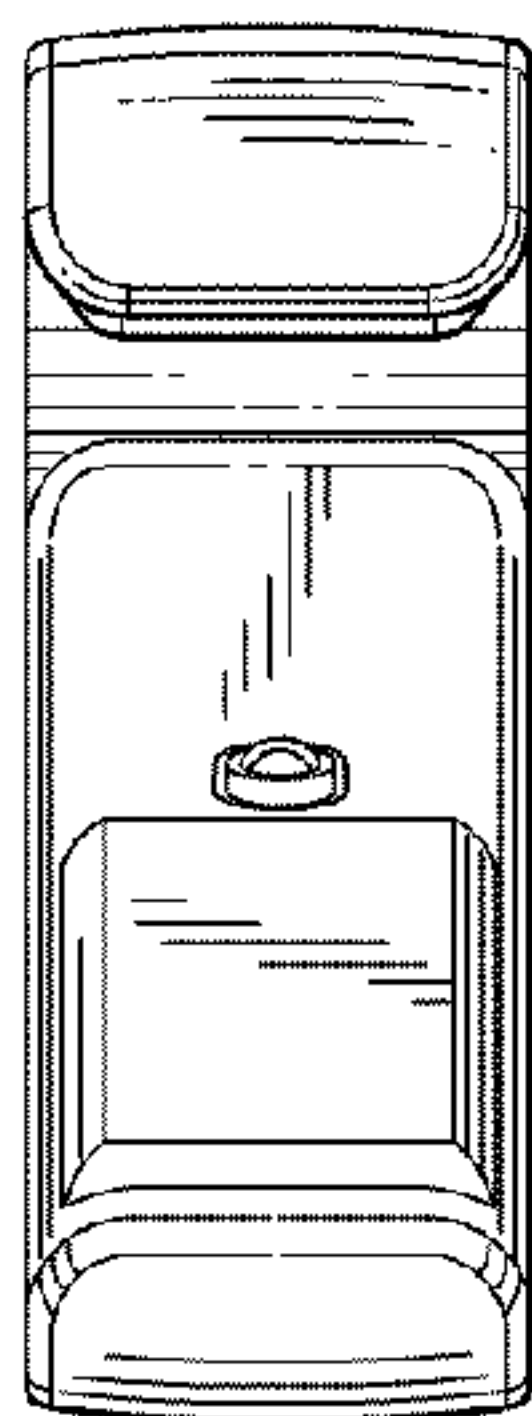


FIG. 6

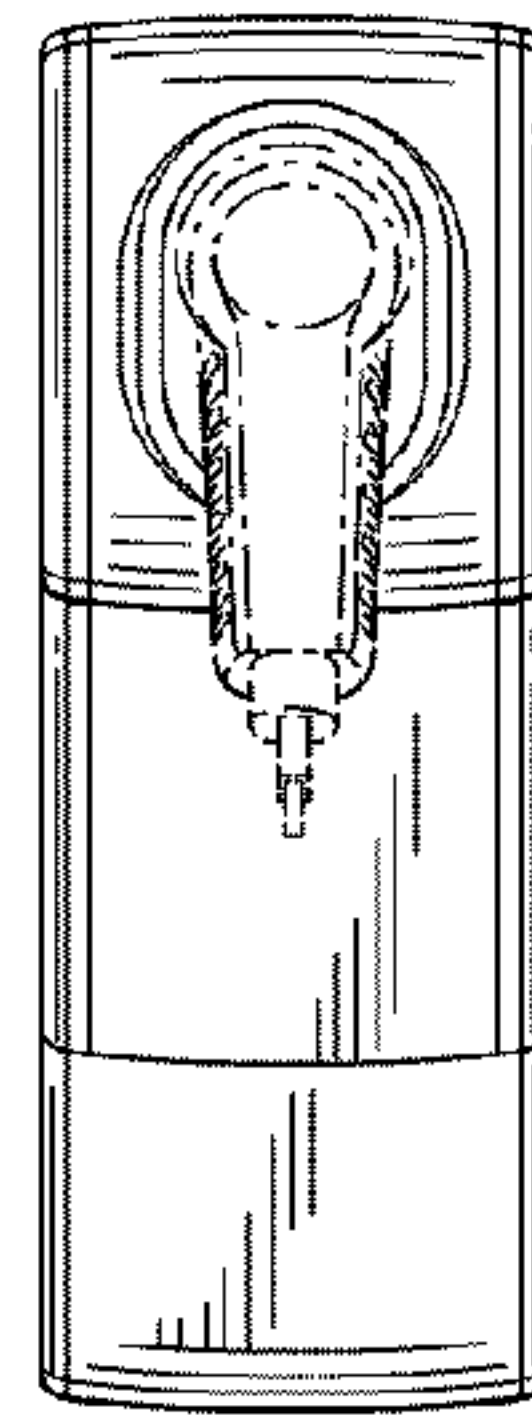


FIG. 7

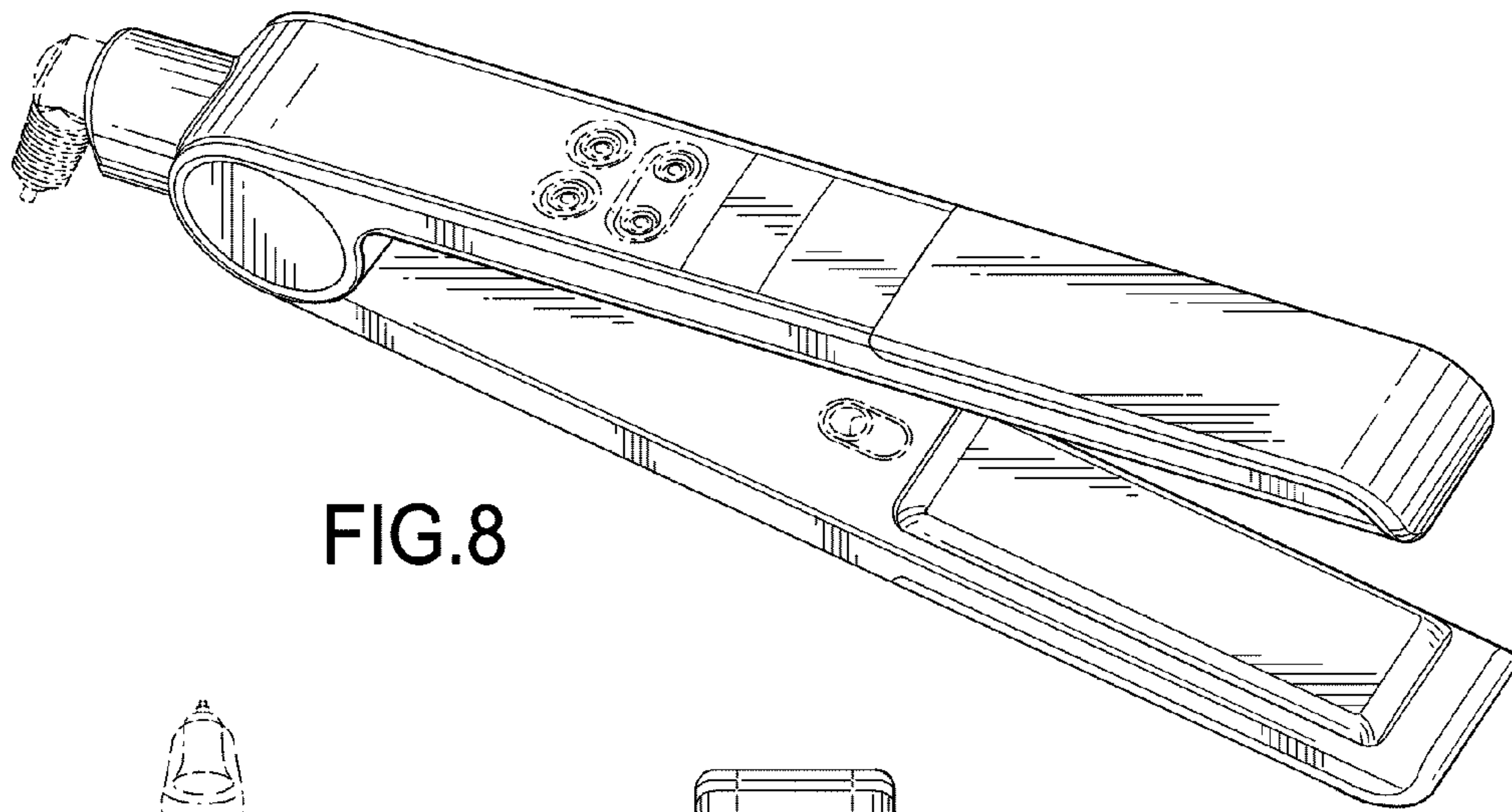


FIG. 8

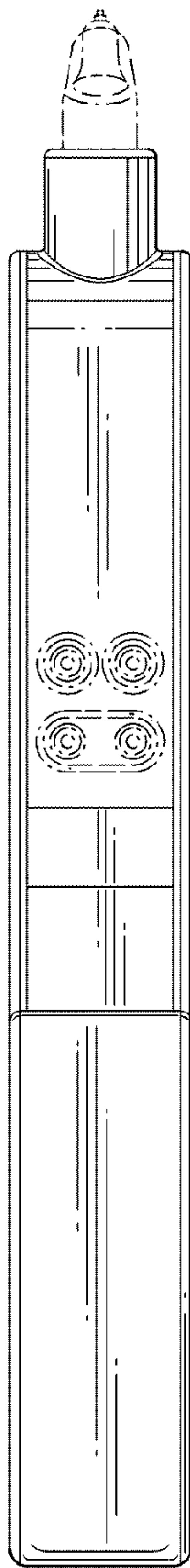


FIG. 9

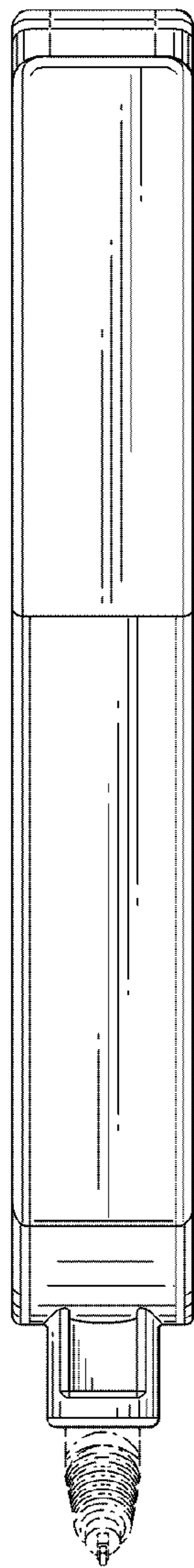


FIG. 10

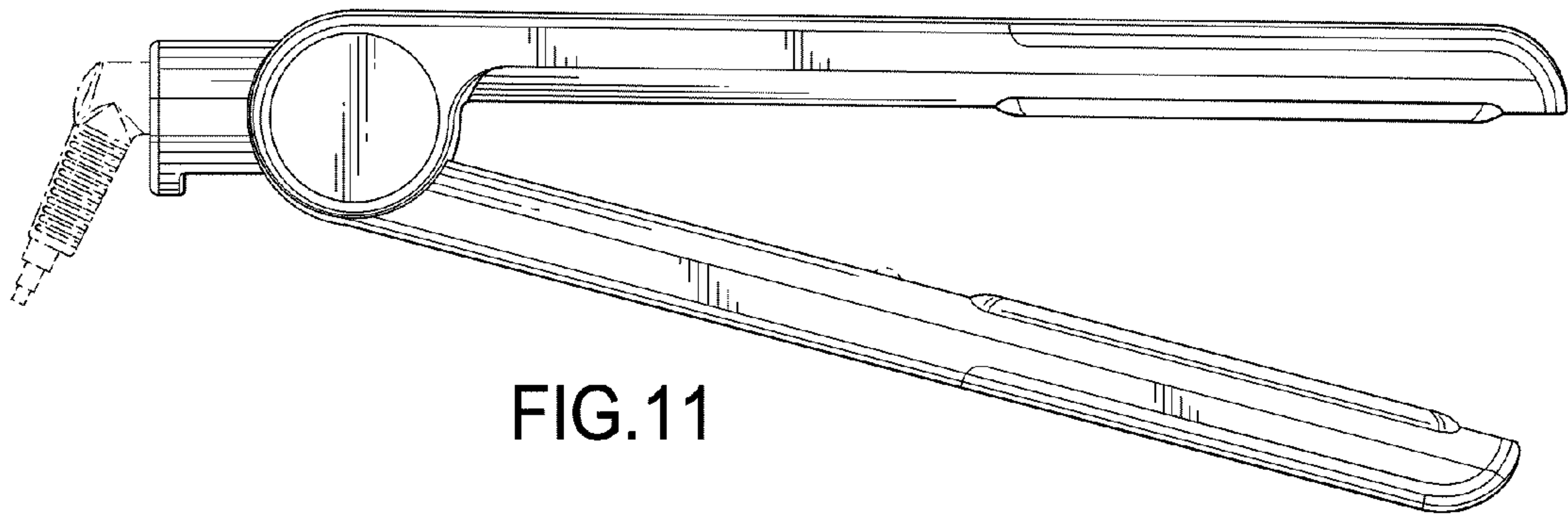


FIG. 11

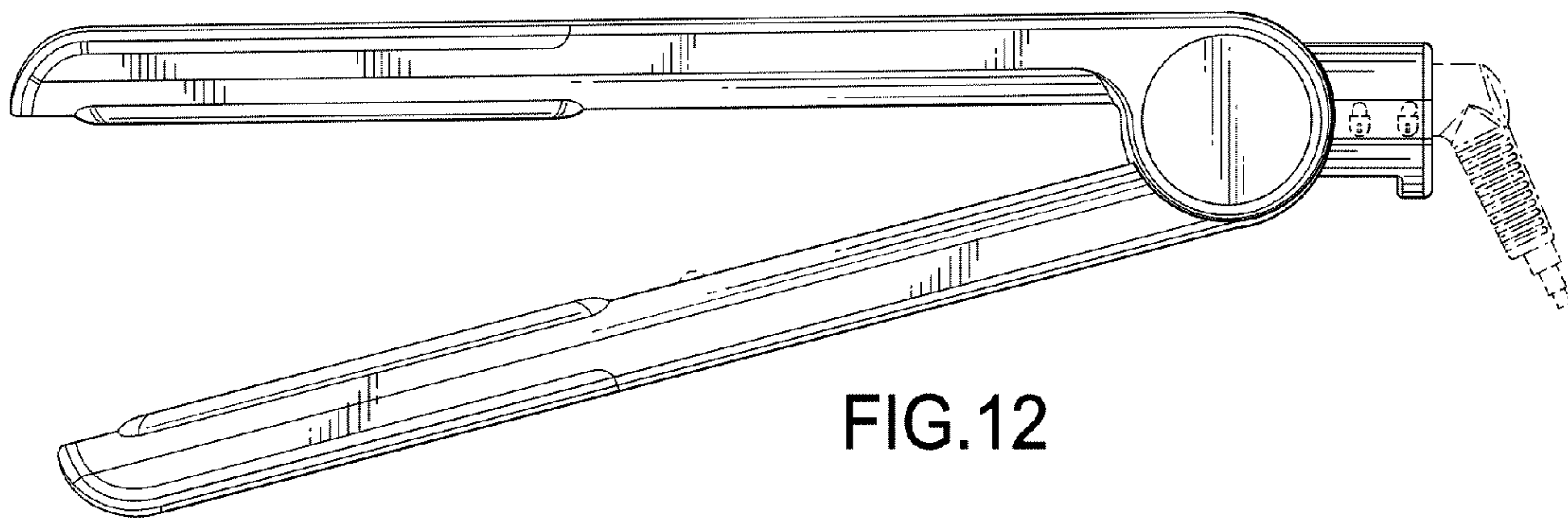


FIG. 12

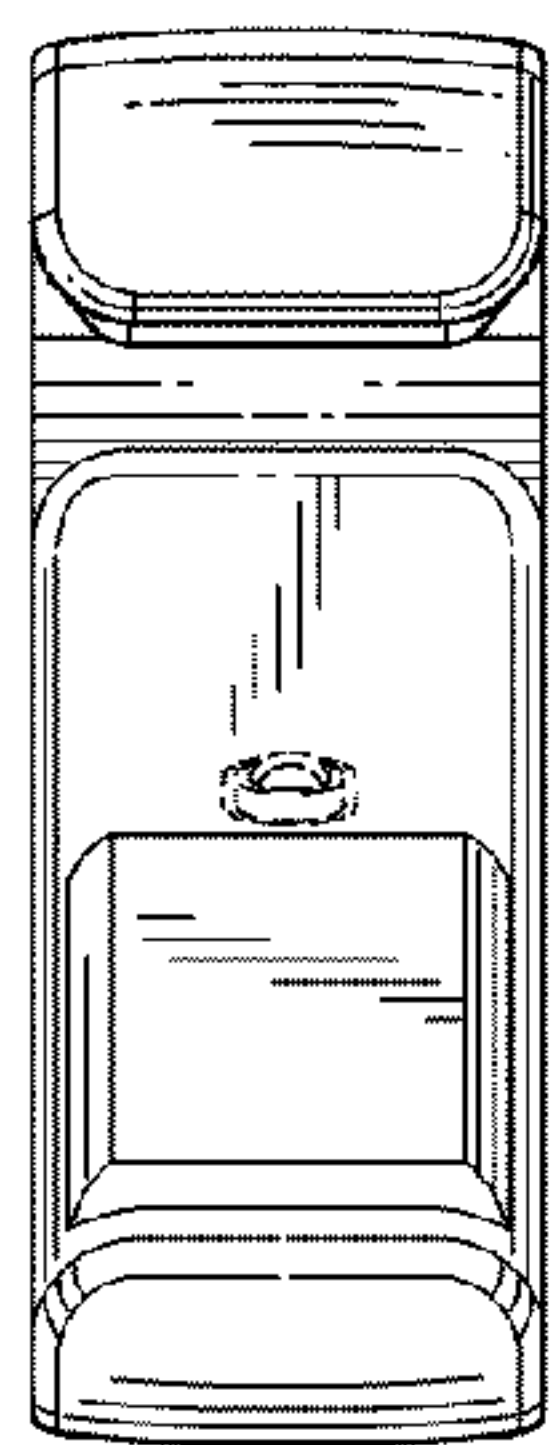


FIG. 13

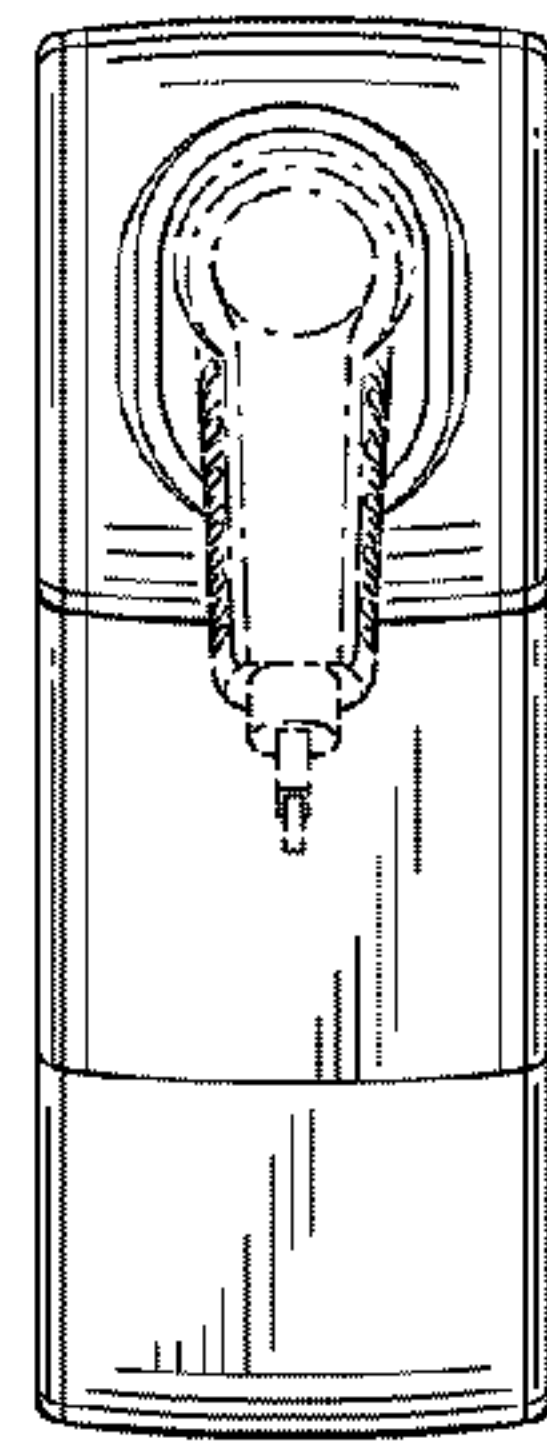


FIG. 14