



US00D645610S

(12) **United States Design Patent**  
**Somers et al.**

(10) **Patent No.:** **US D645,610 S**

(45) **Date of Patent:** **\*\* Sep. 20, 2011**

(54) **APPLICATOR TOOL**

(75) Inventors: **Micah T. Somers**, Minneapolis, MN  
(US); **Brett R. Johnson**, Roseville, MN  
(US)

(73) Assignee: **3M Innovative Properties Company**,  
St. Paul, MN (US)

(\*\*) Term: **14 Years**

(21) Appl. No.: **29/389,486**

(22) Filed: **Apr. 12, 2011**

(51) **LOC (9) Cl.** ..... **28-03**

(52) **U.S. Cl.** ..... **D28/7**

(58) **Field of Classification Search** ..... D28/7,  
D28/8, 63, 91.2; D4/114, 27, 137; 15/104.93,  
15/104.94, 209.1, 210.1; 401/136, 139, 196,  
401/205

See application file for complete search history.

(56) **References Cited**

U.S. PATENT DOCUMENTS

4,594,015	A	*	6/1986	Pomares	.....	401/266
5,299,877	A	*	4/1994	Birden	.....	401/206
D351,229	S	*	10/1994	Wirt	.....	D24/119
5,353,819	A	*	10/1994	Kahn et al.	.....	132/320
D374,741	S	*	10/1996	Devereaux	.....	D28/7

D458,367	S	*	6/2002	Zaspel et al.	.....	D24/119
D538,472	S	*	3/2007	Angeletta	.....	D28/7
D538,973	S	*	3/2007	Angeletta	.....	D28/7
D542,347	S	*	5/2007	Sommers	.....	D19/41

\* cited by examiner

*Primary Examiner* — Zenia Bennett

(74) *Attorney, Agent, or Firm* — Lisa P. Fulton

(57) **CLAIM**

The ornamental design for an applicator tool, as shown and described.

**DESCRIPTION**

FIG. 1 is a perspective view of an applicator tool showing the new design with the rotatable applicator head shown in a vertical position;

FIG. 2 is a front view thereof;

FIG. 3 is a side view thereof, the opposite side being a mirror image;

FIG. 4 is a rear view thereof;

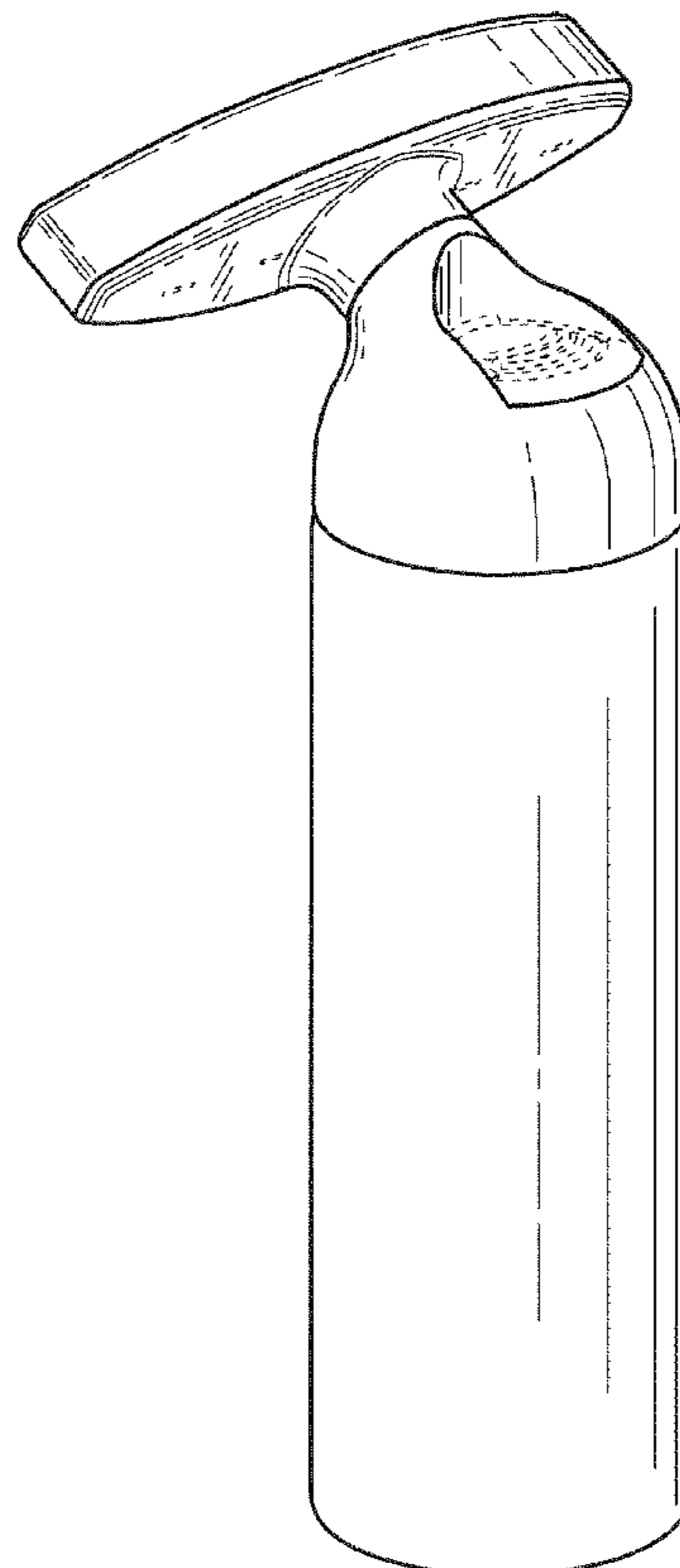
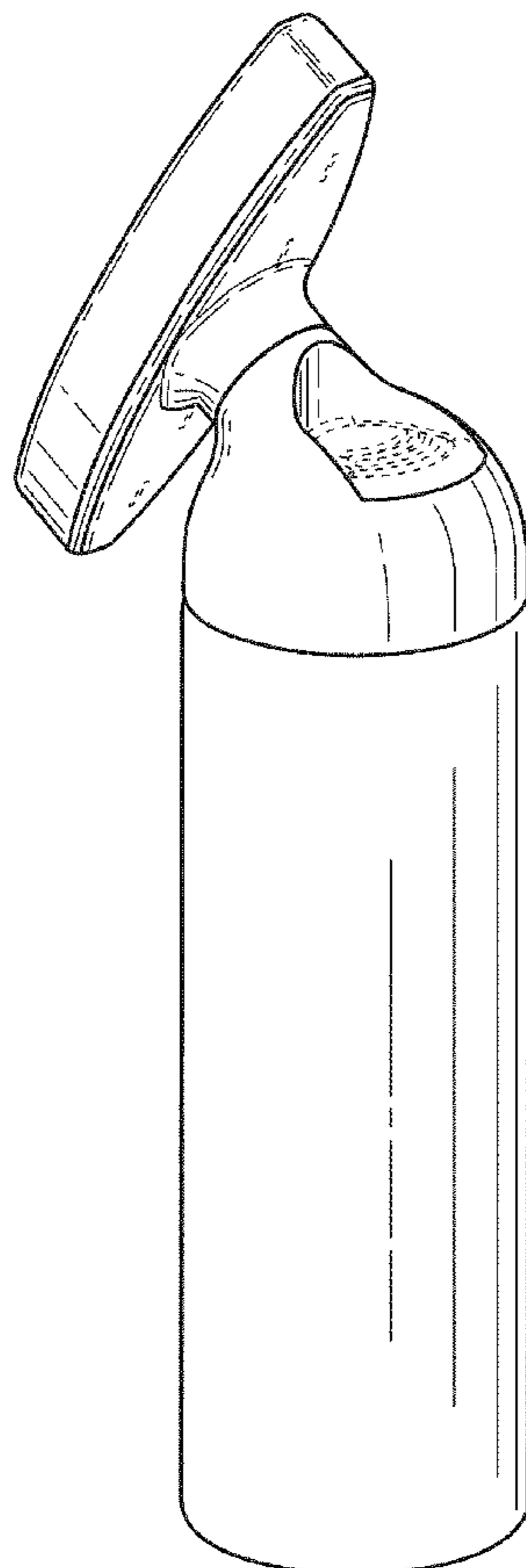
FIG. 5 is a top view thereof;

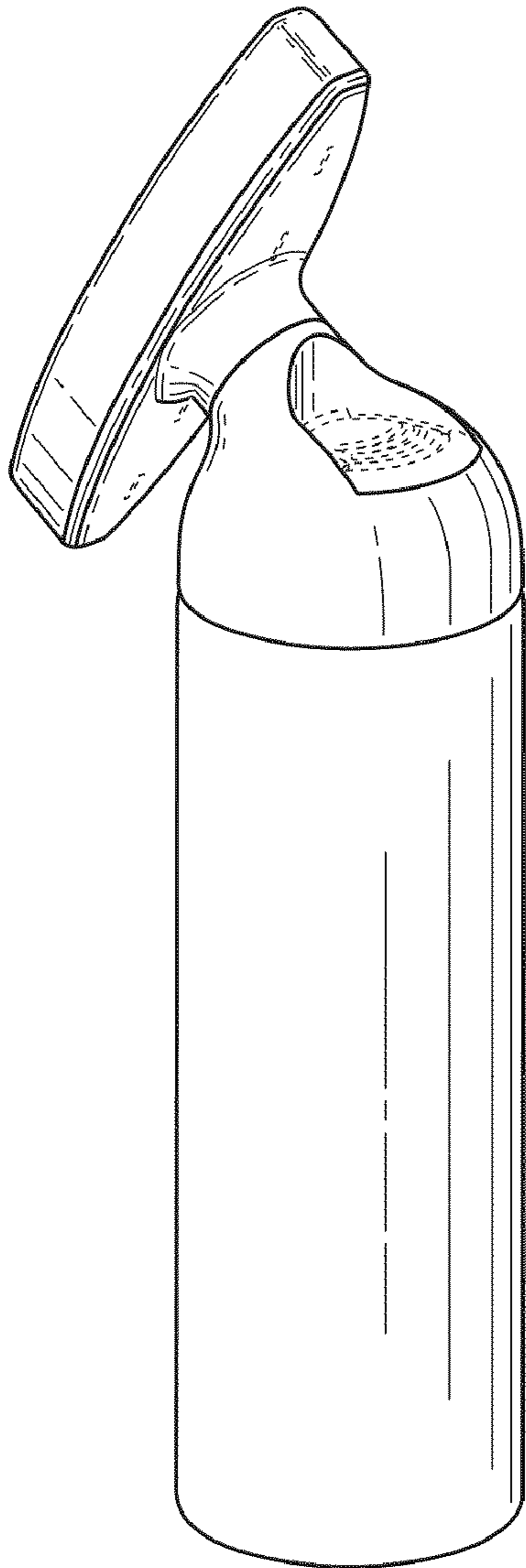
FIG. 6 is a bottom view thereof; and,

FIG. 7 is another perspective view thereof with the rotatable applicator head shown in a horizontal position.

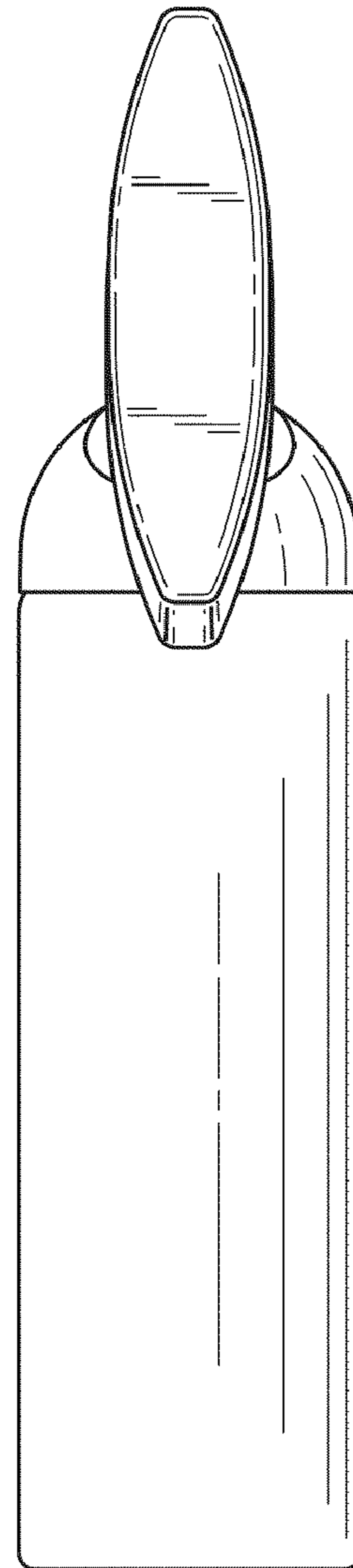
The broken line showing of a button is included for illustrative purposes only and forms no part of the claimed design.

**1 Claim, 3 Drawing Sheets**

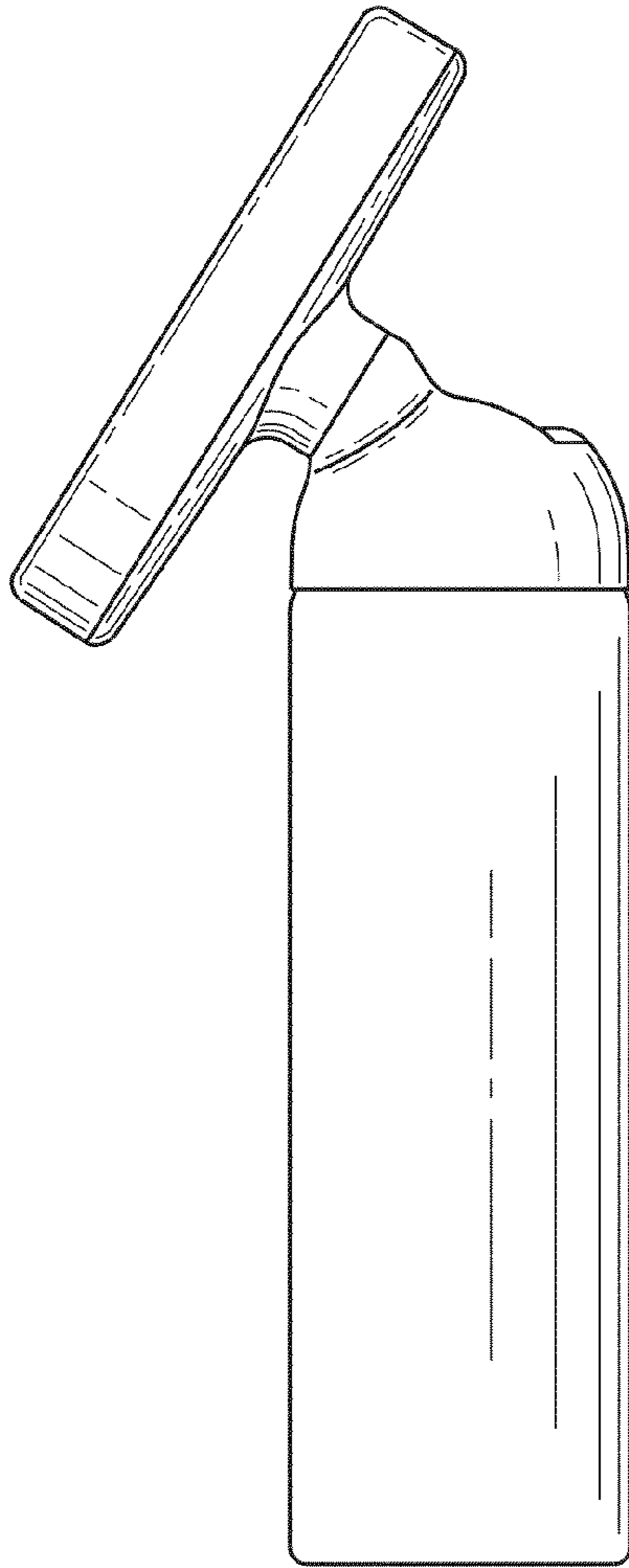




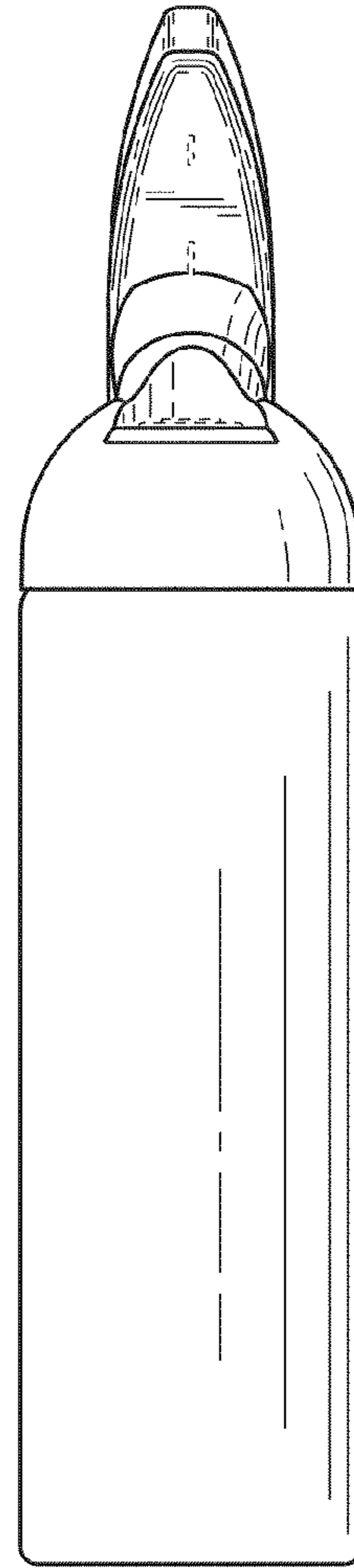
*Fig. 1*



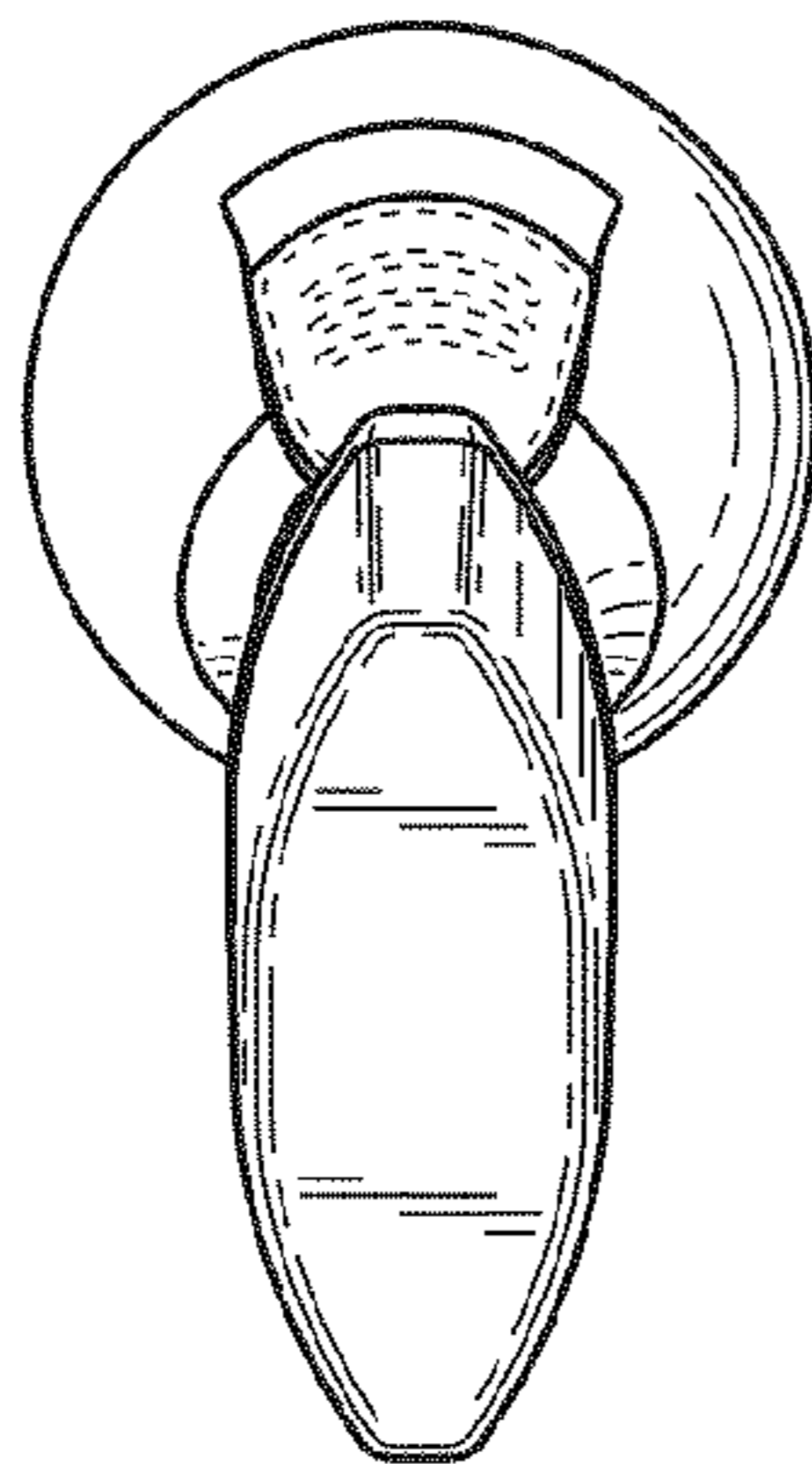
*Fig. 2*



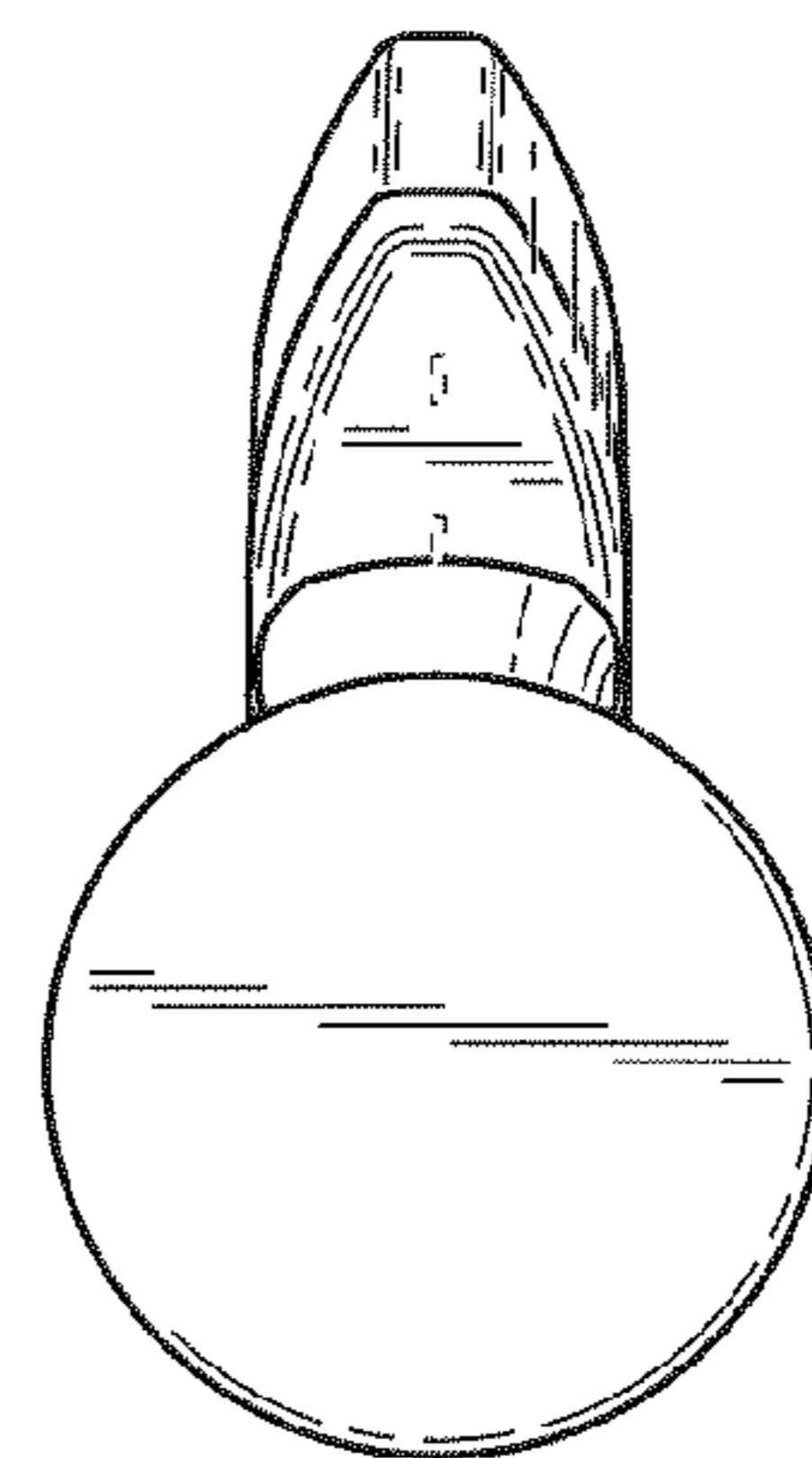
*Fig. 3*



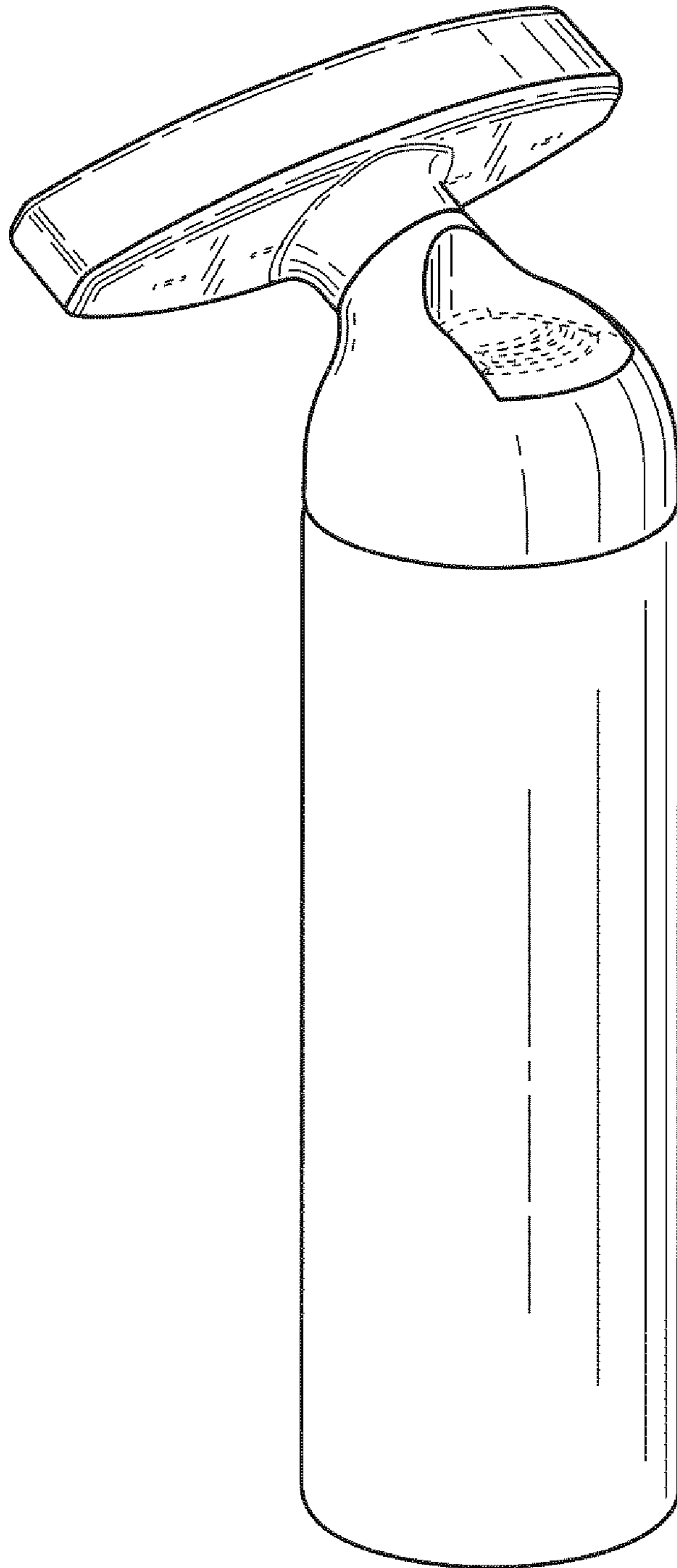
*Fig. 4*



*Fig. 5*



*Fig. 6*



*Fig. 7*