



US00D645607S

(12) **United States Design Patent**  
**Chen**

(10) **Patent No.:** **US D645,607 S**

(45) **Date of Patent:** **\*\* \*Sep. 20, 2011**

(54) **SOLAR CANDLE LIGHT MOSAIC LENS**

(75) Inventor: **Chi Gon Chen**, Guang Zhou (CN)

(73) Assignee: **International Development LLC**,  
Roanoke, TX (US)

(\*) Notice: This patent is subject to a terminal disclaimer.

(\*\*) Term: **14 Years**

(21) Appl. No.: **29/380,215**

(22) Filed: **Dec. 1, 2010**

(51) **LOC (9) Cl.** ..... **26-99**

(52) **U.S. Cl.** ..... **D26/130**

(58) **Field of Classification Search** ..... D26/125,  
D26/49, 46, 37, 118, 71, 92, 85, 87, 128,  
D26/63, 65, 88, 76, 120, 113, 119, 138, 2,  
D26/67, 72, 93, 123, 129, 130, 24, 107, 108,  
D26/62, 109, 51, 127, 122, 131, 140, 141,  
D26/142, 143, 144, 145, 58, 60, 68; 362/101,  
362/34, 346, 223, 294, 549, 109, 190, 192,  
362/249.01-249.11, 98, 99, 16, 17, 18, 19;  
D13/179, 180; D23/411; 424/401, 402,  
424/403, 404, 405; D8/353; 248/158, 122.1;  
D25/124; D16/135, 131, 244, 136; D15/90;  
359/801, 802, 807, 812; 119/245, 246, 247,  
119/253, 256, 266

See application file for complete search history.

(56) **References Cited**

**U.S. PATENT DOCUMENTS**

D56,715 S *	11/1920	Thompson	.....	D10/121
1,502,304 A *	7/1924	Gaines	.....	362/414
D73,631 S *	10/1927	Wolter	.....	D26/24
D80,849 S *	4/1930	Miller	.....	D26/128
D92,538 S *	6/1934	Johnson et al.	.....	D26/135
D343,021 S *	1/1994	Compton et al.	.....	D26/74
D439,693 S *	3/2001	Milicia	.....	D26/68
D443,941 S *	6/2001	Boeckley	.....	D26/67

D444,263 S *	6/2001	Dolan	.....	D26/130
D444,908 S *	7/2001	Dolan	.....	D26/130
D459,018 S *	6/2002	Dolan	.....	D26/102
D459,831 S *	7/2002	Dolan	.....	D26/118
D500,570 S *	1/2005	Tsai	.....	D26/87
D506,017 S *	6/2005	Chen	.....	D26/40
D530,027 S *	10/2006	Yu	.....	D25/103
D547,469 S *	7/2007	Flores	.....	D26/9
D592,791 S *	5/2009	Sabernig	.....	D26/84
D593,702 S *	6/2009	Sabernig	.....	D26/88
D601,746 S *	10/2009	Sabernig	.....	D26/120
D604,448 S *	11/2009	Sabernig	.....	D26/89
D615,684 S *	5/2010	Chen	.....	D26/68

\* cited by examiner

*Primary Examiner* — Cathron C Brooks

*Assistant Examiner* — Kevin Rudzinski

(74) *Attorney, Agent, or Firm* — David W. Carstens; Jeffrey G. Degenfelder; Carstens & Cahoon, LLP

(57) **CLAIM**

The ornamental design for a solar candle light mosaic lens, as shown and described.

**DESCRIPTION**

FIG. 1 is an isometric view of the solar candle light mosaic lens of the present invention;

FIG. 2 is an exploded bottom perspective view thereof, with a light insert showing in phantom;

FIG. 3 is a bottom perspective view thereof, with a light insert showing in phantom;

FIG. 4 is a side elevation view thereof, with a light insert showing in phantom;

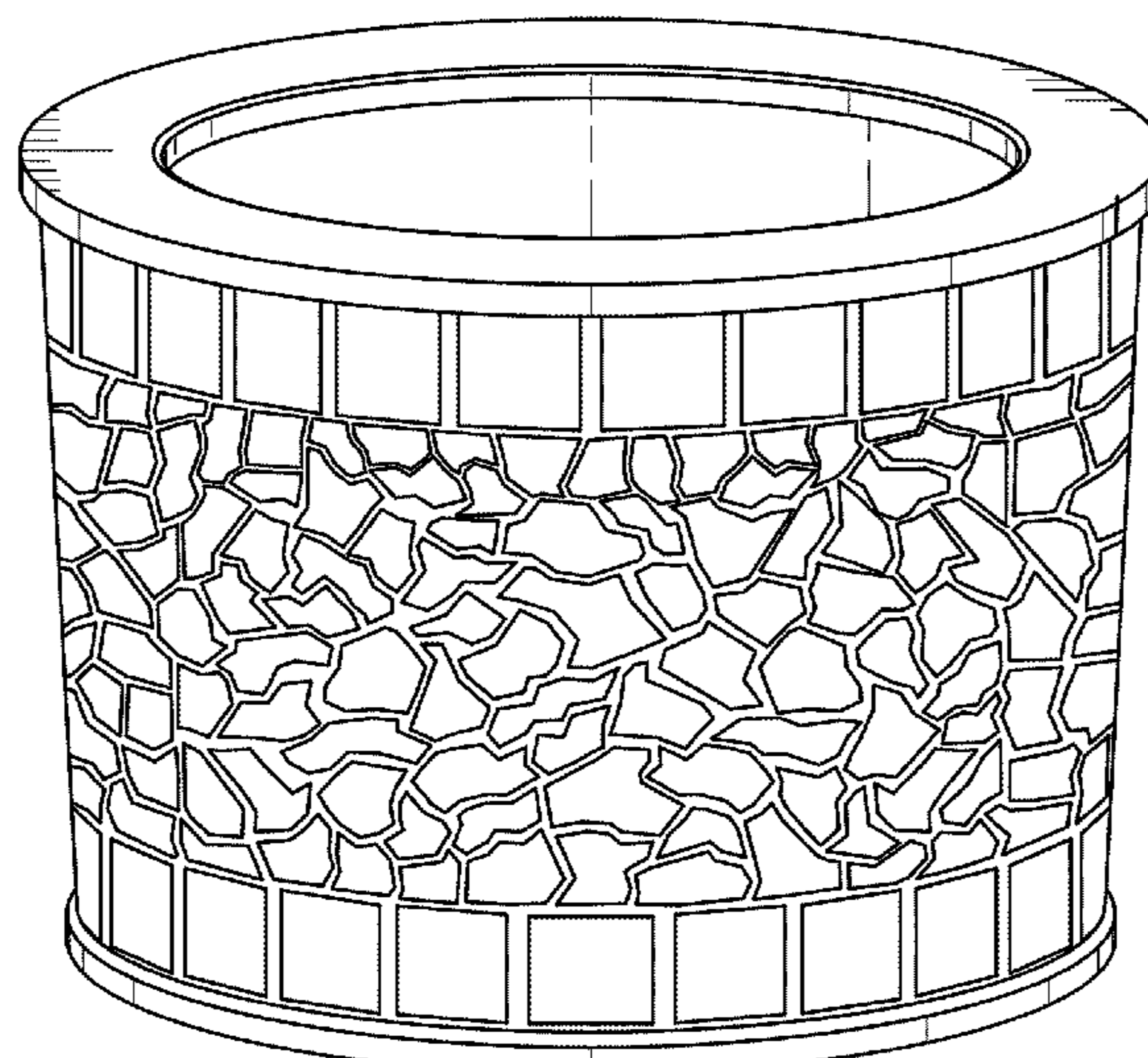
FIG. 5 is a bottom plan view thereof, with a light insert showing in phantom;

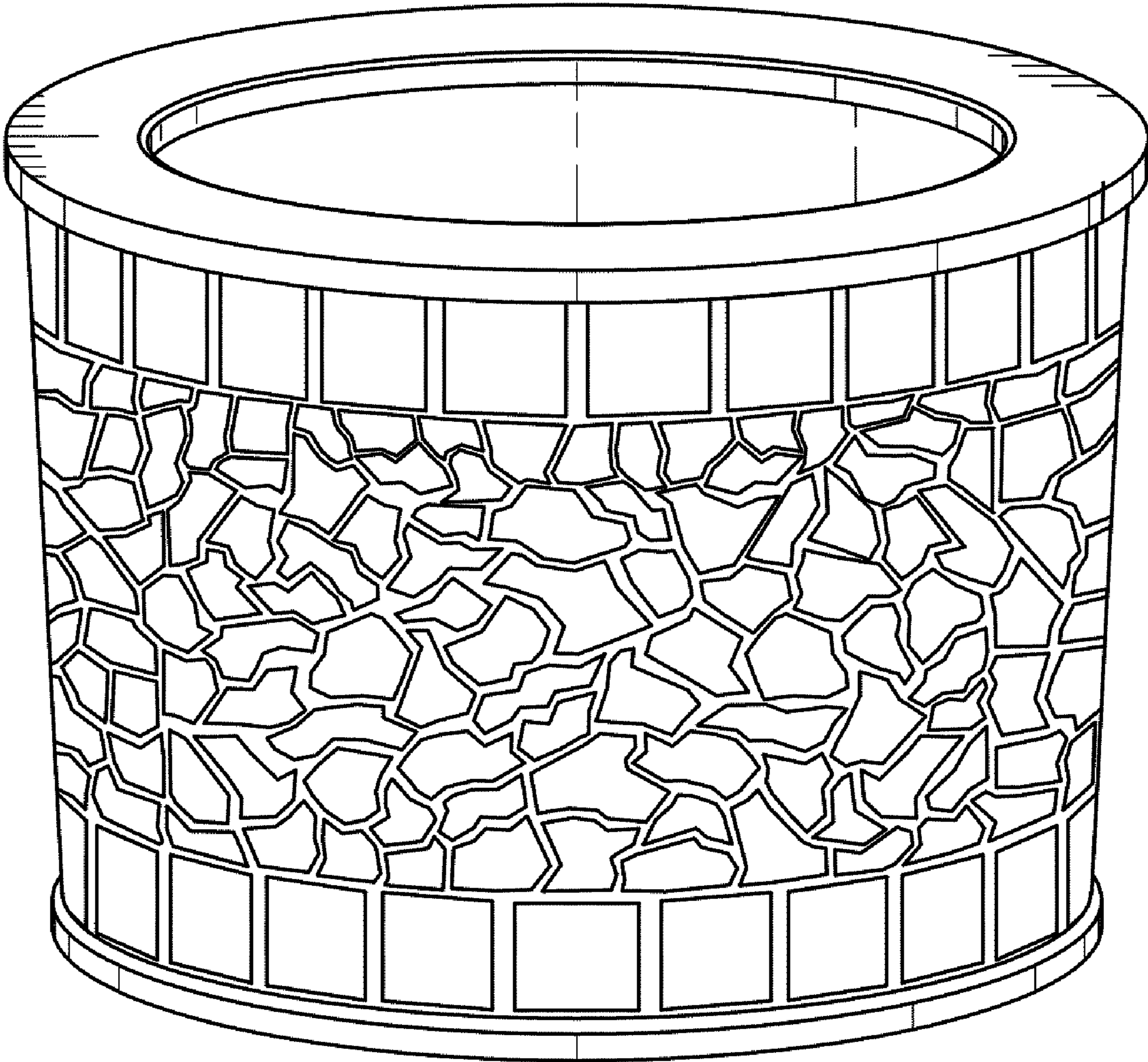
FIG. 6 is a bottom plan view thereof with the light insert removed; and,

FIG. 7 is a top plan view thereof, with a light insert showing in phantom.

The broken line showing of a light insert illustrates environmental structure and forms no part of the claimed design.

**1 Claim, 5 Drawing Sheets**





*FIG. 1*

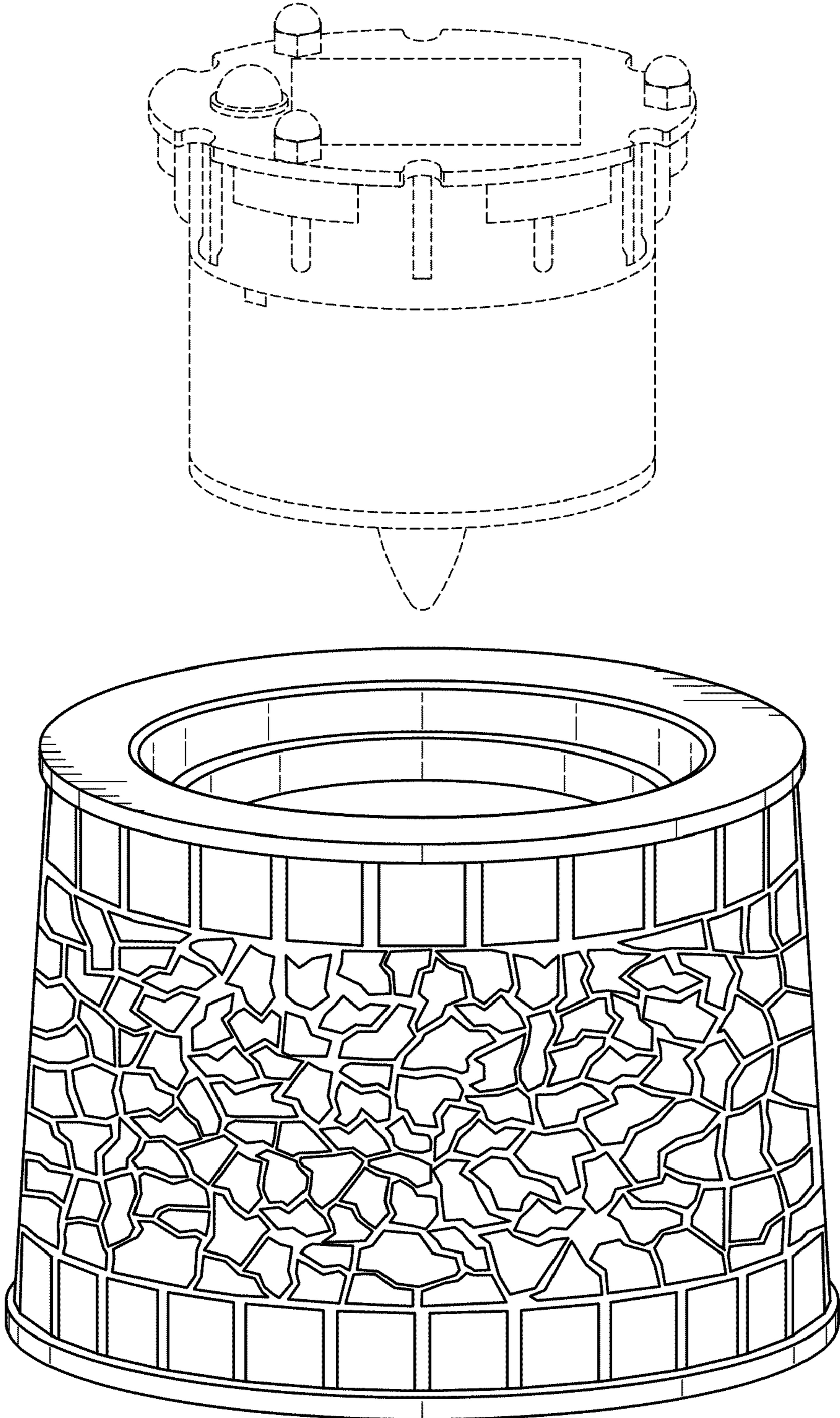


FIG. 2

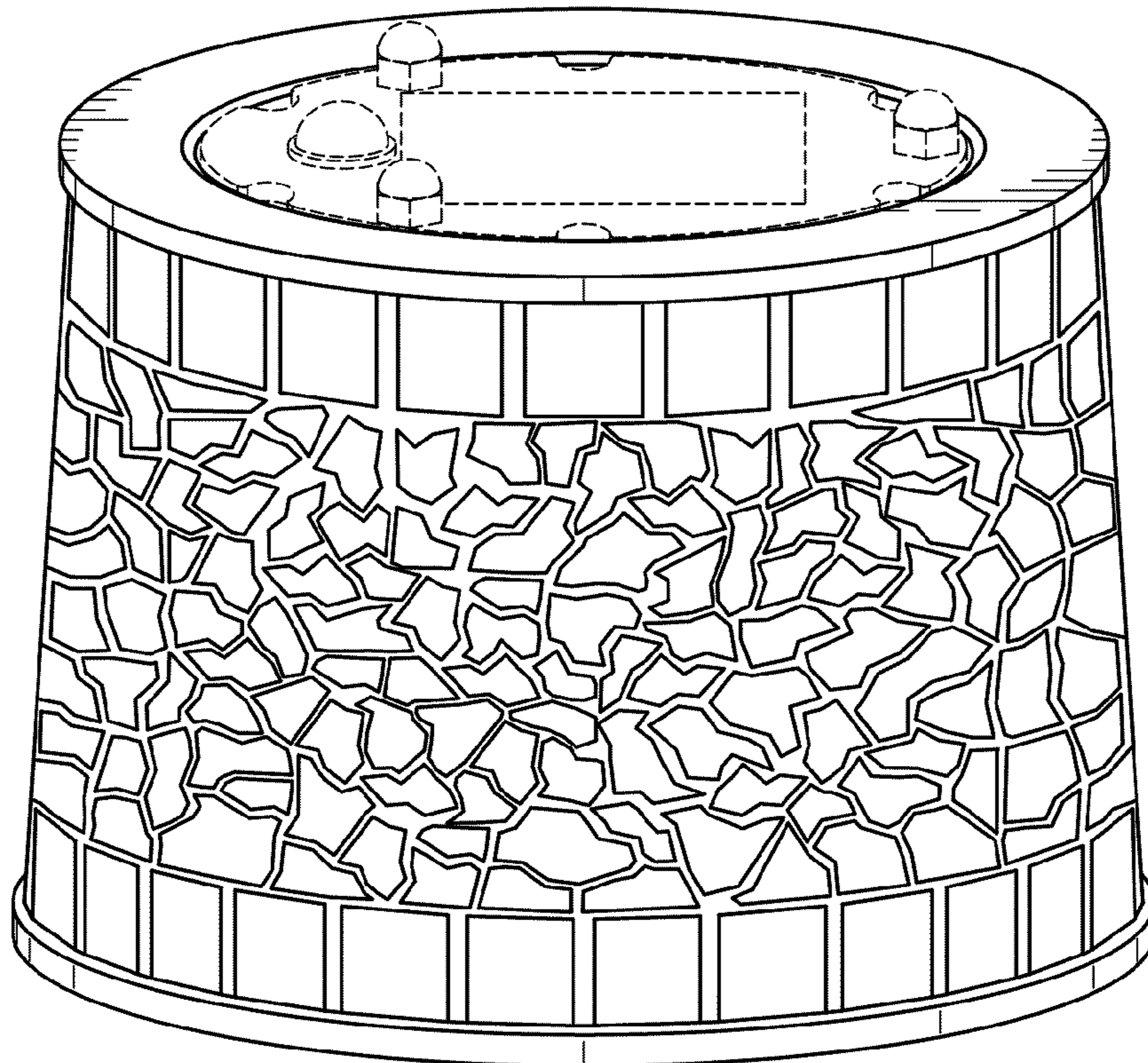


FIG. 3

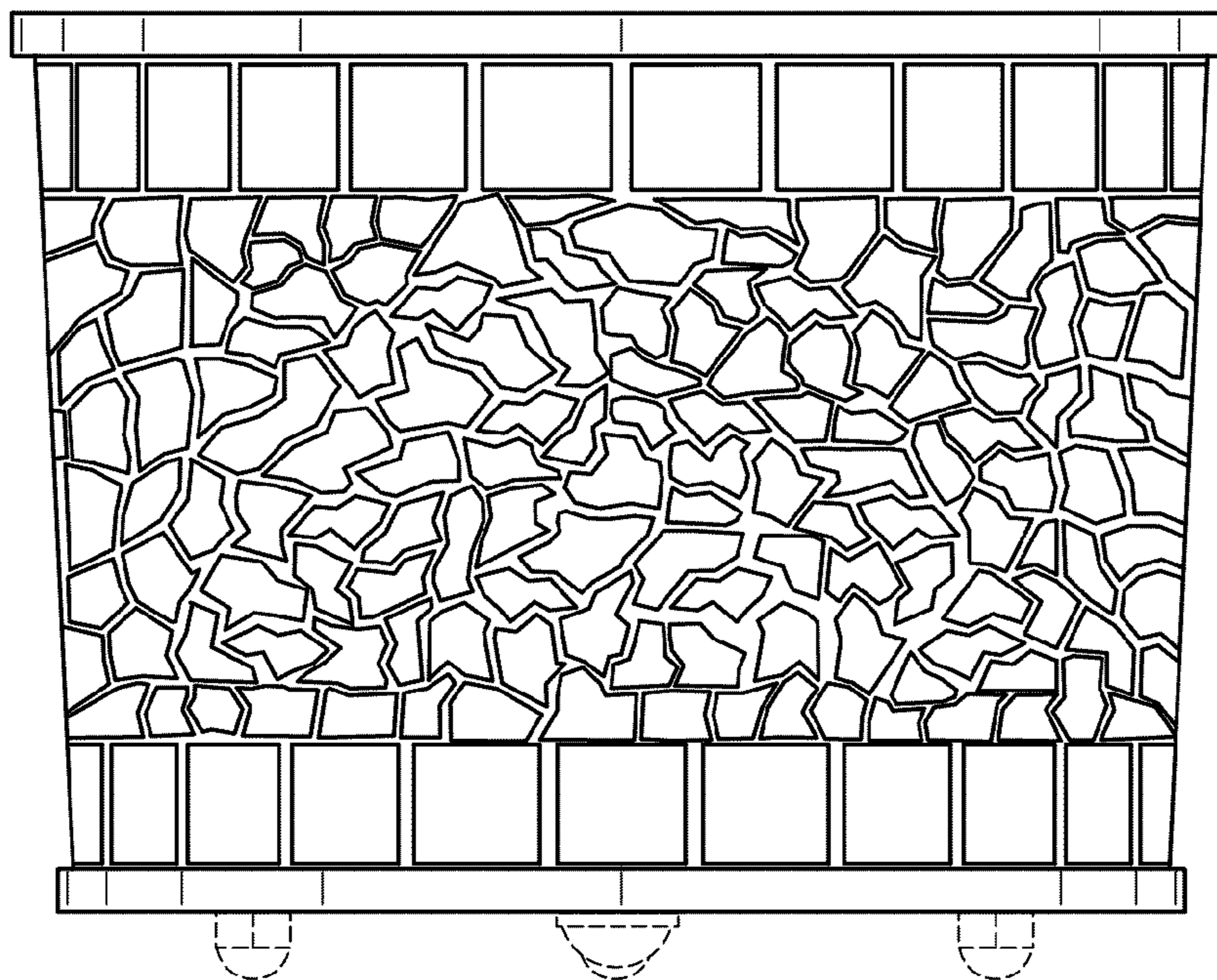


FIG. 4

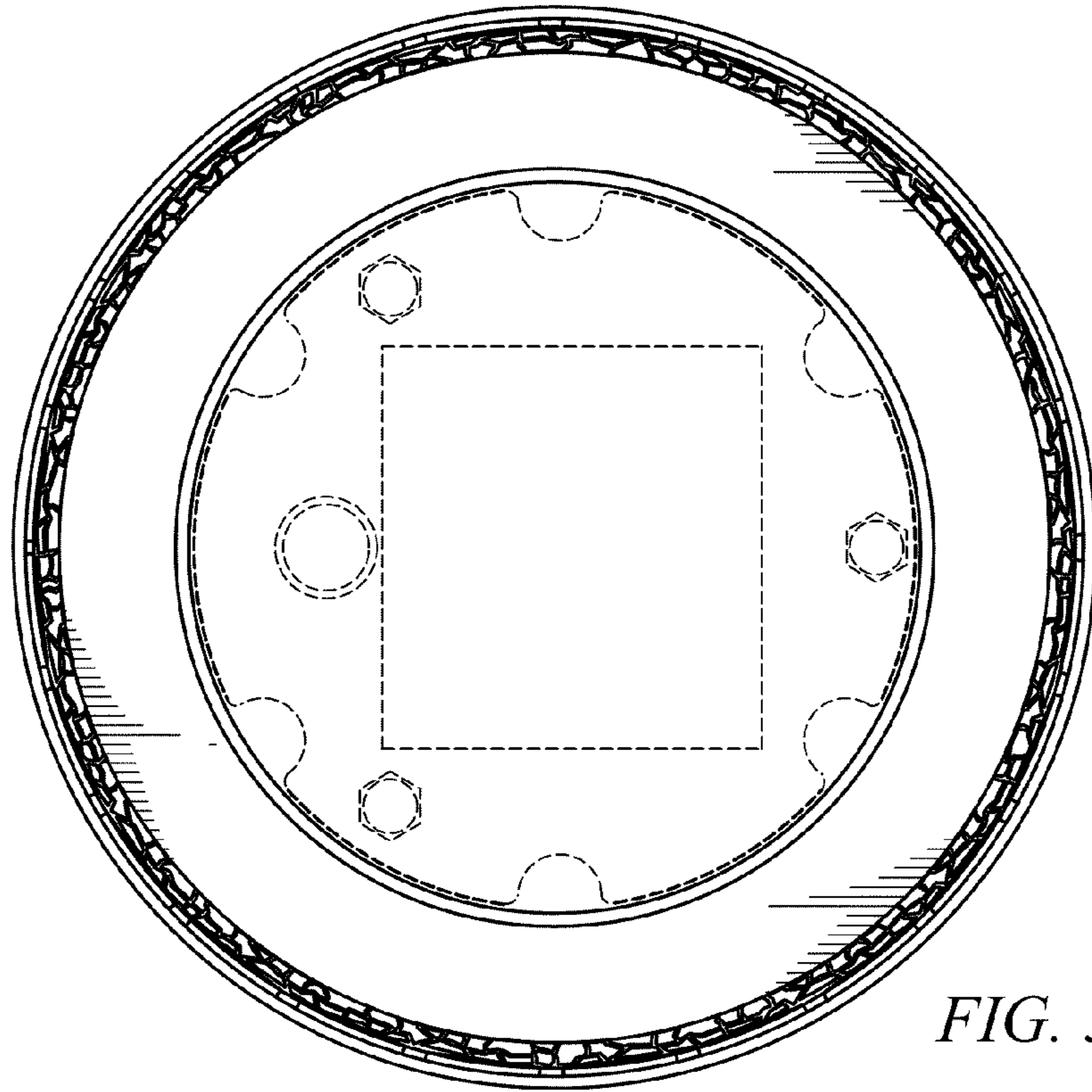


FIG. 5

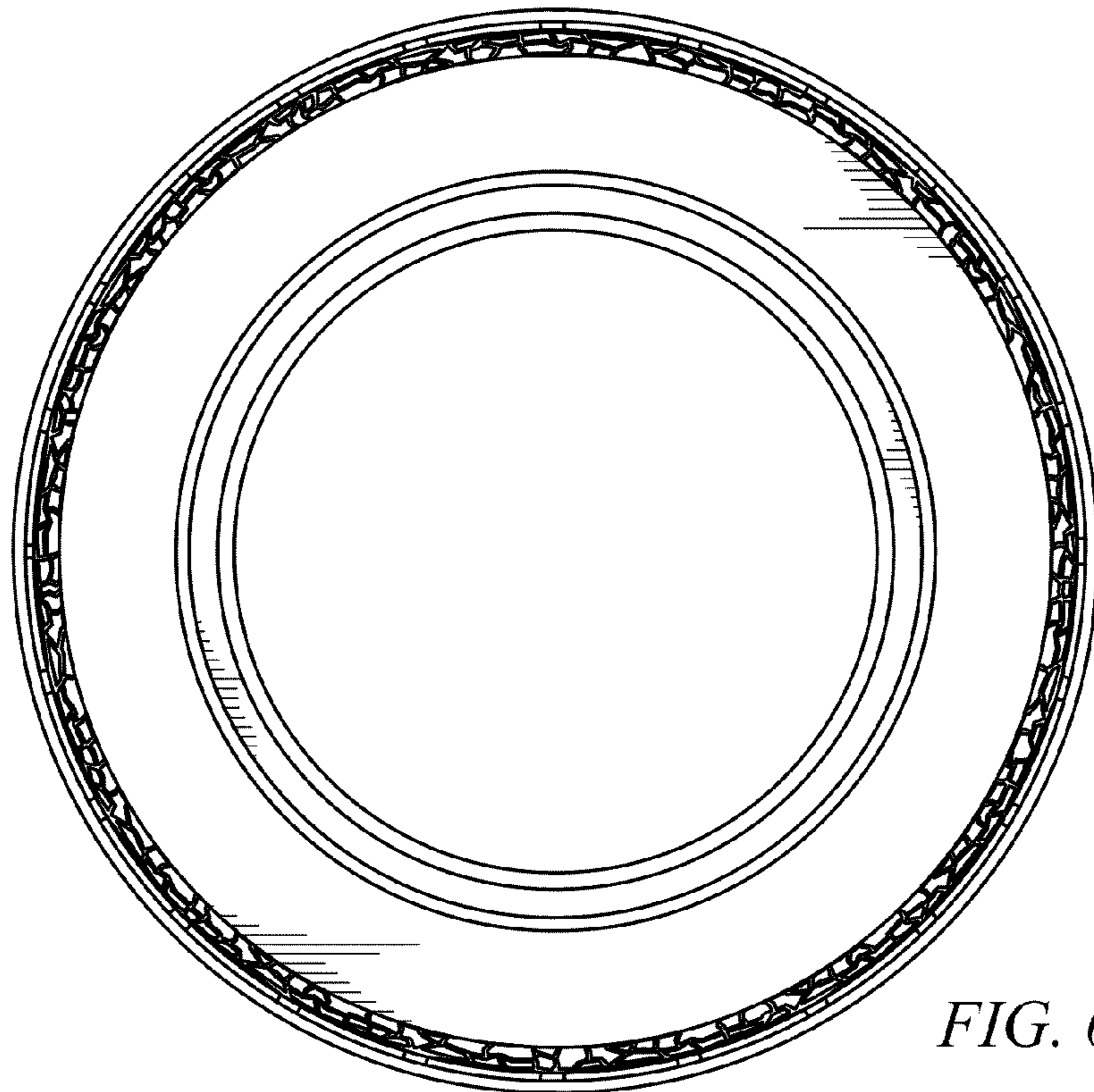


FIG. 6

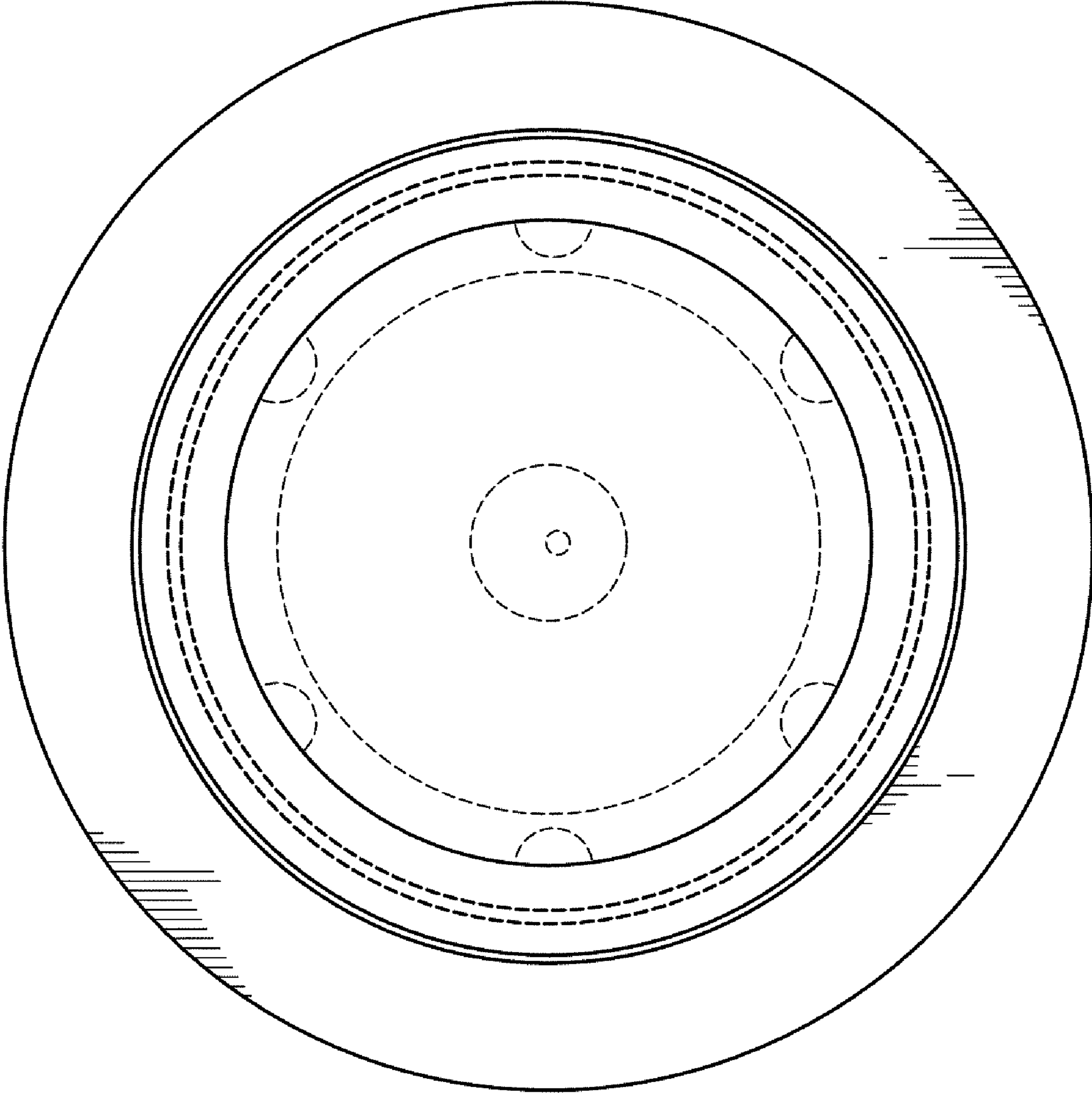


FIG. 7