



US00D645606S

(12) **United States Design Patent**  
**Chen**

(10) **Patent No.:** **US D645,606 S**

(45) **Date of Patent:** **\*\* \*Sep. 20, 2011**

(54) **SOLAR CANDLE LIGHT MOSAIC LENS**

(75) Inventor: **Chi Gon Chen**, Guang Zhou (CN)

(73) Assignee: **International Development LLC**,  
Roanoke, TX (US)

(\*) Notice: This patent is subject to a terminal disclaimer.

(\*\*) Term: **14 Years**

(21) Appl. No.: **29/380,212**

(22) Filed: **Dec. 1, 2010**

(51) **LOC (9) Cl.** ..... **26-99**

(52) **U.S. Cl.** ..... **D26/130**

(58) **Field of Classification Search** ..... D26/125,  
D26/49, 46, 37, 118, 71, 92, 85, 87, 128,  
D26/63, 65, 88, 76, 120, 113, 119, 138, 2,  
D26/67, 72, 93, 123, 129, 130, 24, 107, 108,  
D26/62, 109, 51, 127, 122, 131, 140, 141,  
D26/142, 143, 144, 145, 58, 60, 68; 362/101,  
362/34, 346, 223, 294, 549, 109, 190, 192,  
362/249.01-249.11, 98, 99, 16, 17, 18, 19;  
D13/179, 180; D23/411; 424/401, 402,  
424/403, 404, 405; D8/353; 248/158, 122.1;  
D25/124; D16/135, 131, 244, 136; D15/90;  
359/801, 802, 807, 812; 119/245, 246, 247,  
119/253, 256, 266

See application file for complete search history.

(56) **References Cited**

**U.S. PATENT DOCUMENTS**

D56,715	S	*	11/1920	Thompson	.....	D10/121
1,502,304	A	*	7/1924	Gaines	.....	362/414
D73,631	S	*	10/1927	Wolter	.....	D26/24
D80,849	S	*	4/1930	Miller	.....	D26/128
D92,538	S	*	6/1934	Johnson et al.	.....	D26/135
D343,021	S	*	1/1994	Compton et al.	.....	D26/74
D439,693	S	*	3/2001	Milicia	.....	D26/68
D443,941	S	*	6/2001	Boeckley	.....	D26/67

D444,263	S	*	6/2001	Dolan	.....	D26/130
D444,908	S	*	7/2001	Dolan	.....	D26/130
D459,018	S	*	6/2002	Dolan	.....	D26/102
D459,831	S	*	7/2002	Dolan	.....	D26/118
D500,570	S	*	1/2005	Tsai	.....	D26/87
D506,017	S	*	6/2005	Chen	.....	D26/40
D530,027	S	*	10/2006	Yu	.....	D25/103
D547,469	S	*	7/2007	Flores	.....	D26/9
D592,791	S	*	5/2009	Sabernig	.....	D26/84
D593,702	S	*	6/2009	Sabernig	.....	D26/88
D601,746	S	*	10/2009	Sabernig	.....	D26/120
D604,448	S	*	11/2009	Sabernig	.....	D26/89
D615,684	S	*	5/2010	Chen	.....	D26/68

\* cited by examiner

*Primary Examiner* — Cathron C. Brooks

*Assistant Examiner* — Kevin Rudzinski

(74) *Attorney, Agent, or Firm* — David W. Carstens; Jeffrey G. Degenfelder; Carstens & Cahoon, LLP

(57) **CLAIM**

The ornamental design for a solar candle light mosaic lens, as shown and described.

**DESCRIPTION**

FIG. 1 is an isometric view of the solar candle light mosaic lens of the present invention;

FIG. 2 is an exploded bottom perspective view thereof, with a light insert showing in phantom;

FIG. 3 is a bottom perspective view thereof, with a light insert showing in phantom;

FIG. 4 is a side elevation view thereof, with a light insert showing in phantom;

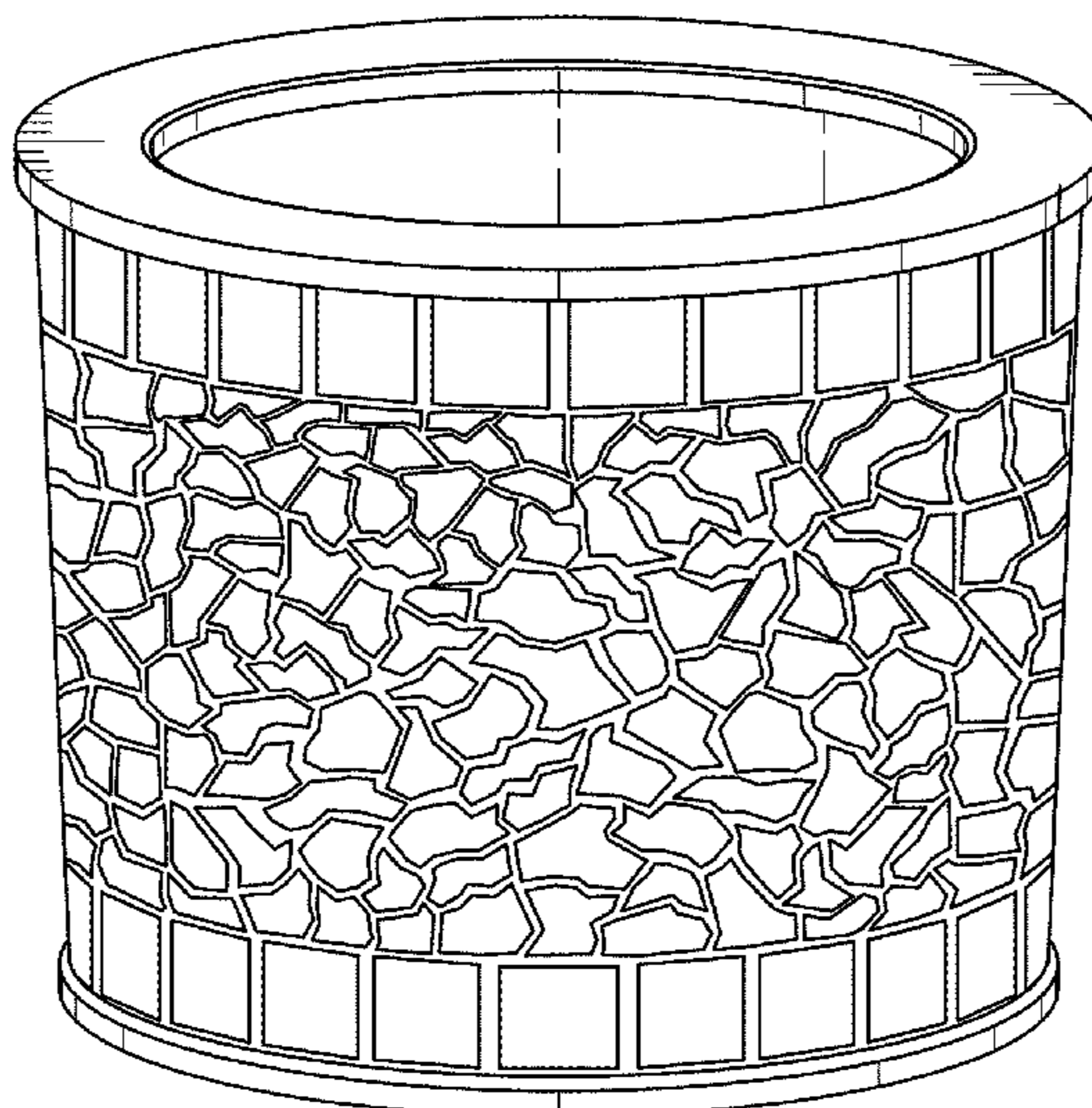
FIG. 5 is a bottom plan view thereof, with a light insert showing in phantom;

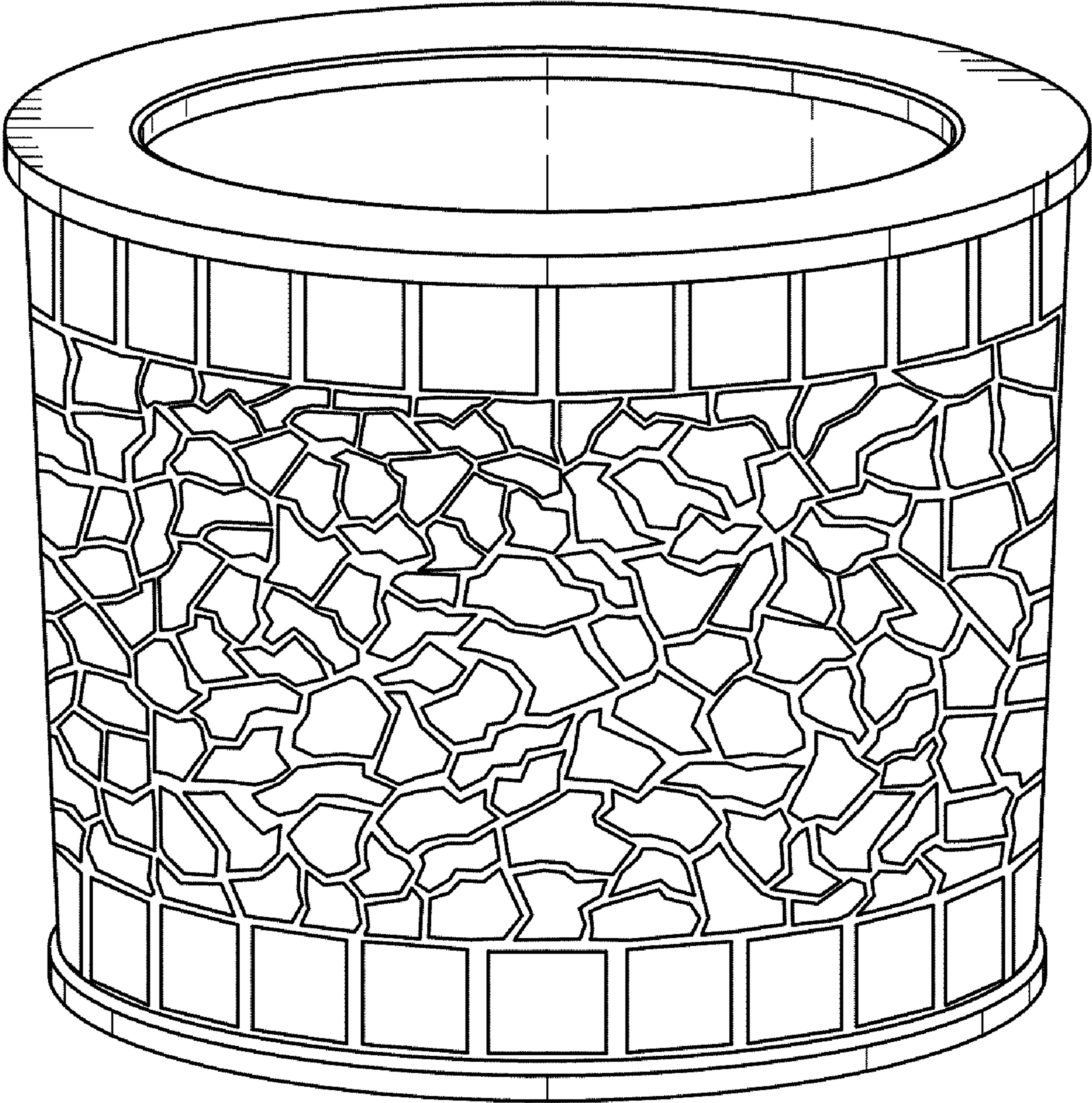
FIG. 6 is a bottom plan view thereof with the light insert removed; and,

FIG. 7 is a top plan view thereof, with a light insert showing in phantom.

The broken line showing of a light insert illustrates environmental structure and forms no part of the claimed design.

**1 Claim, 5 Drawing Sheets**





*FIG. 1*



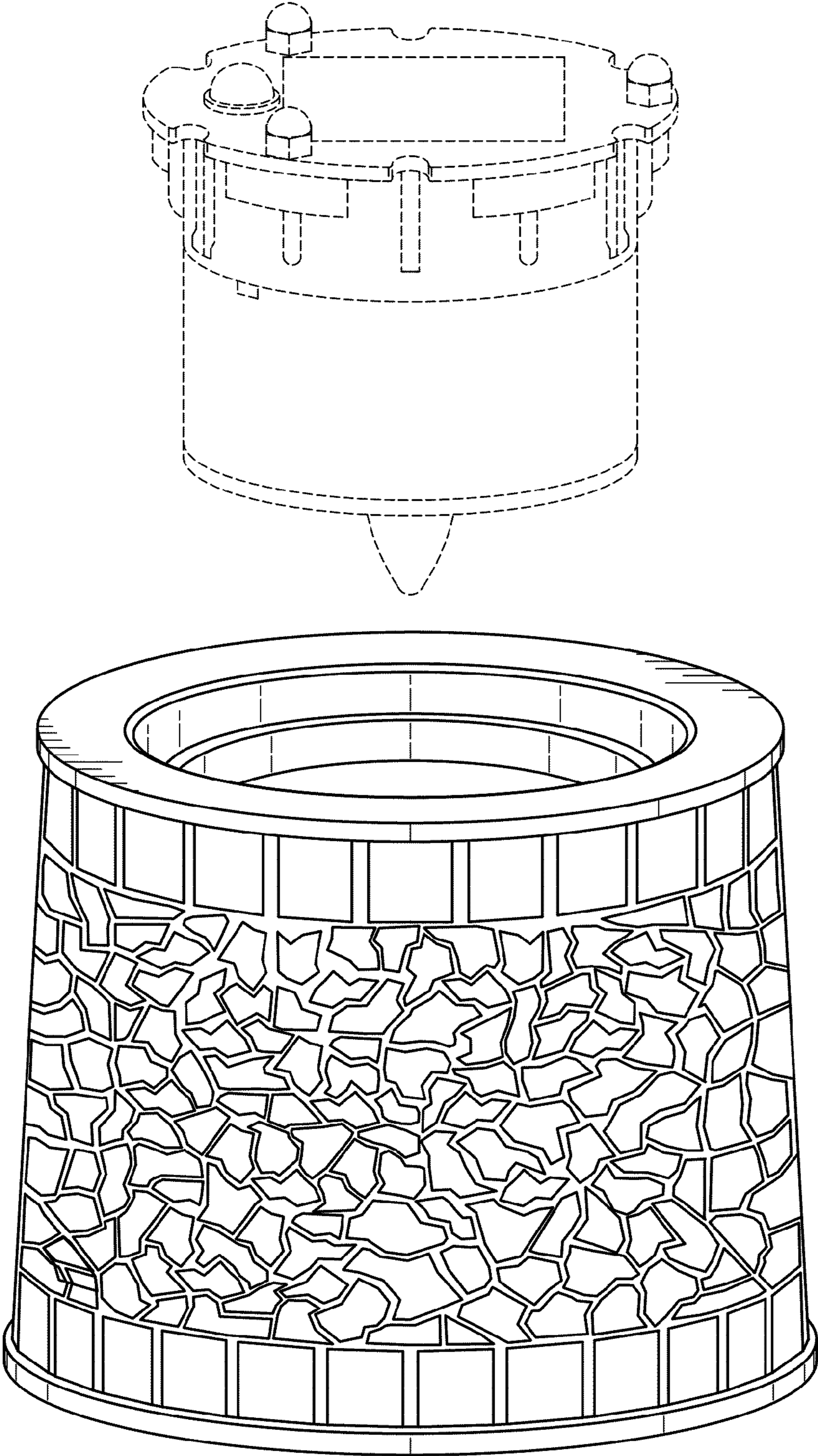


FIG. 2

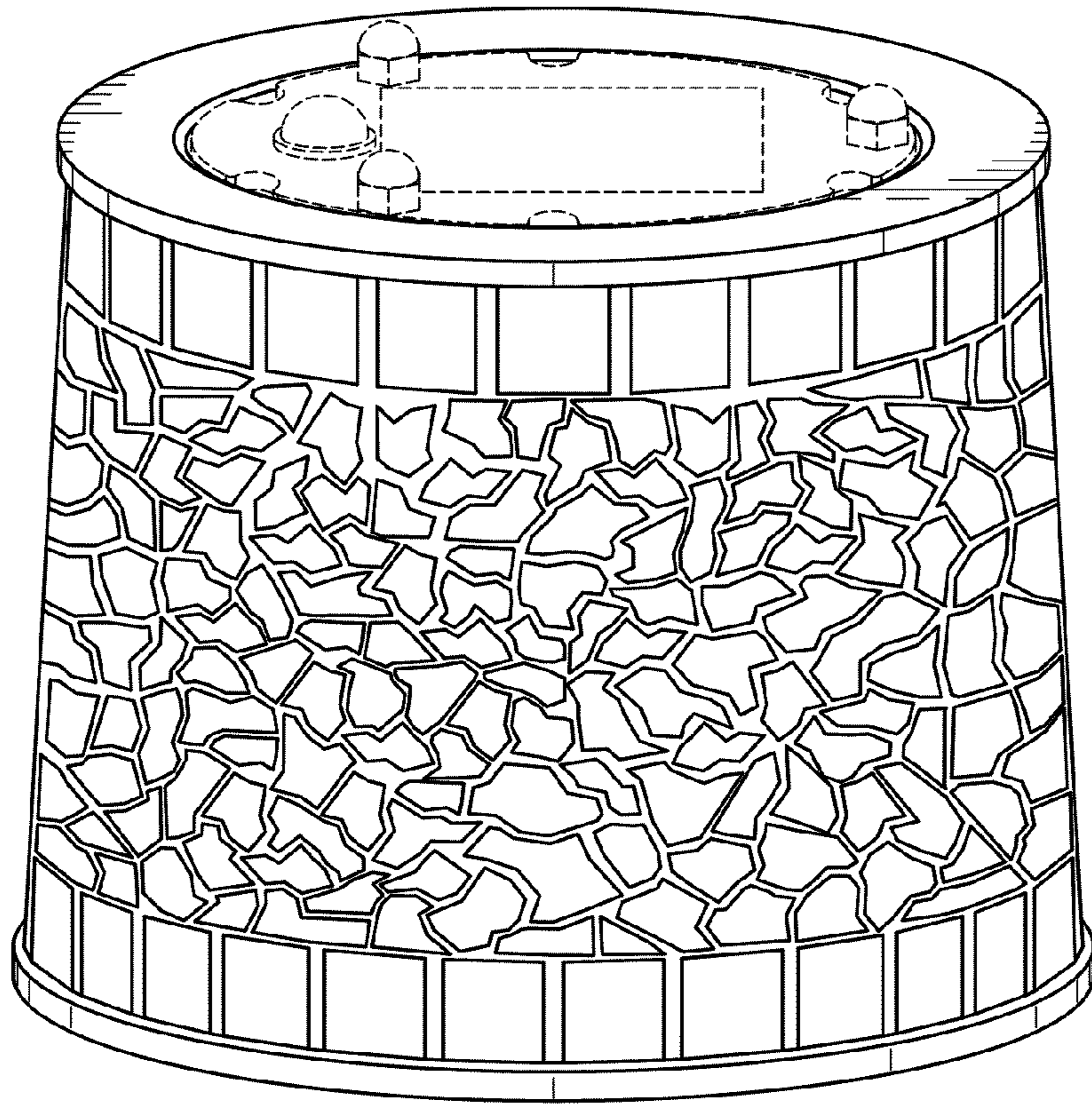


FIG. 3

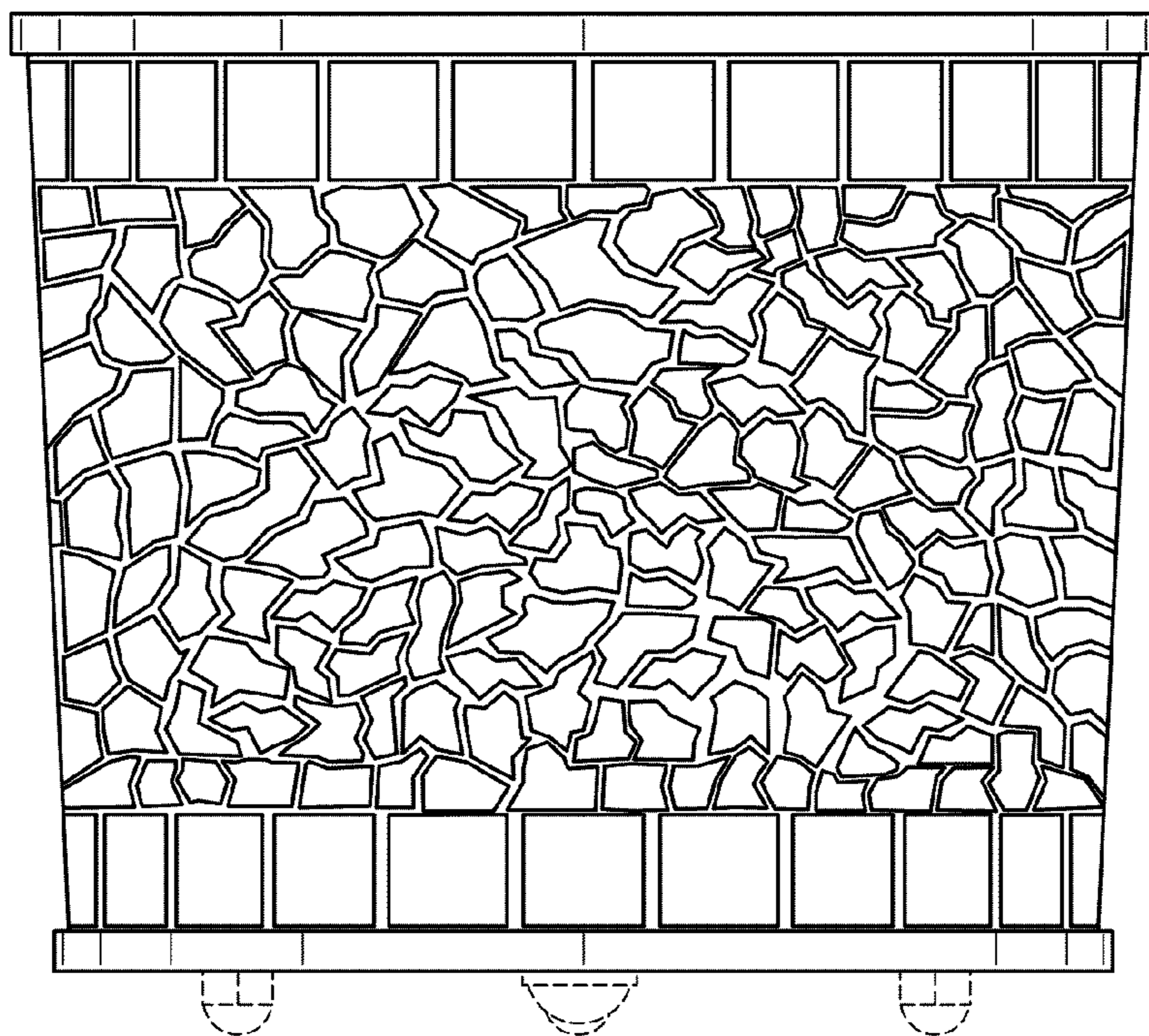


FIG. 4



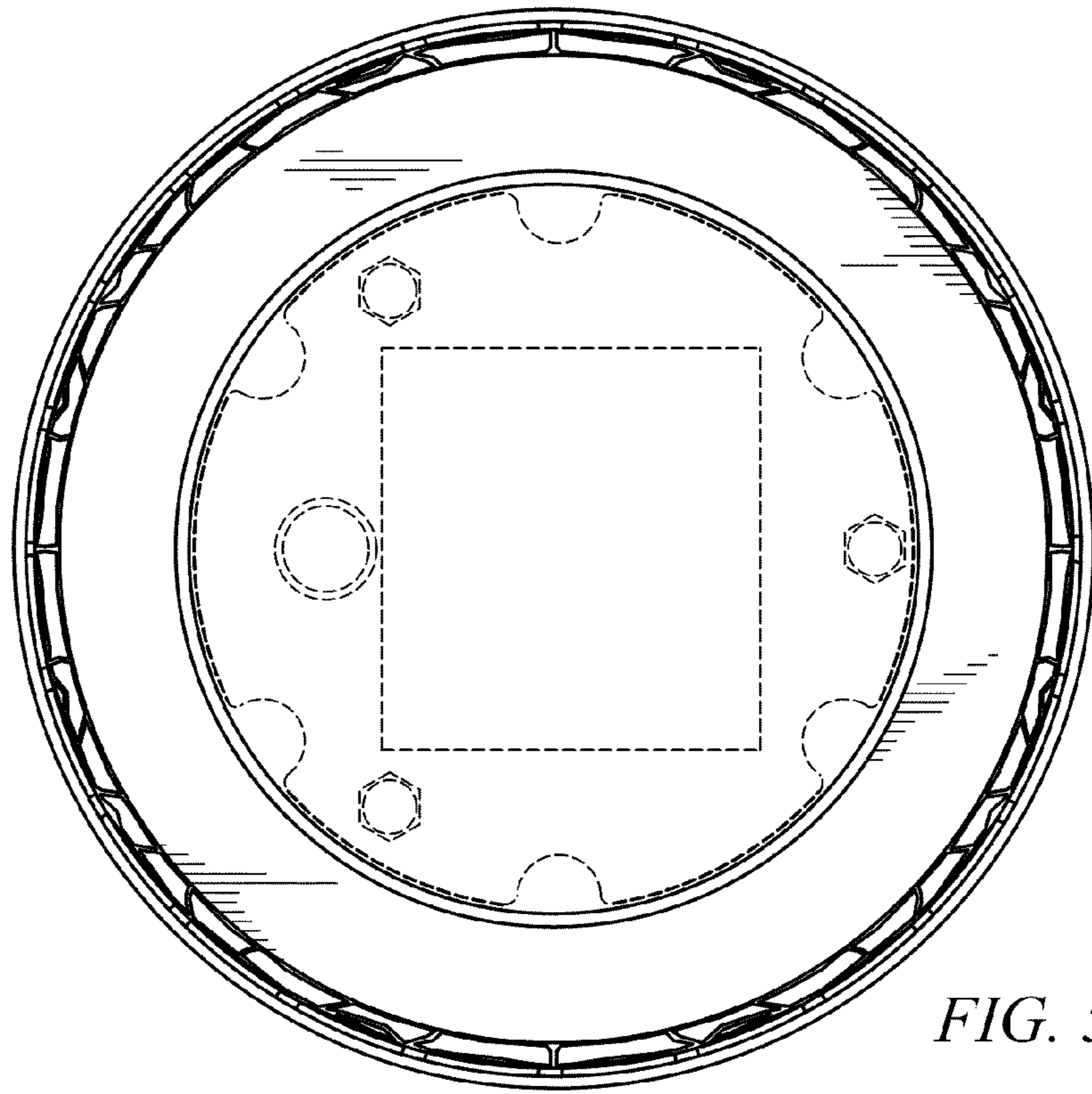


FIG. 5

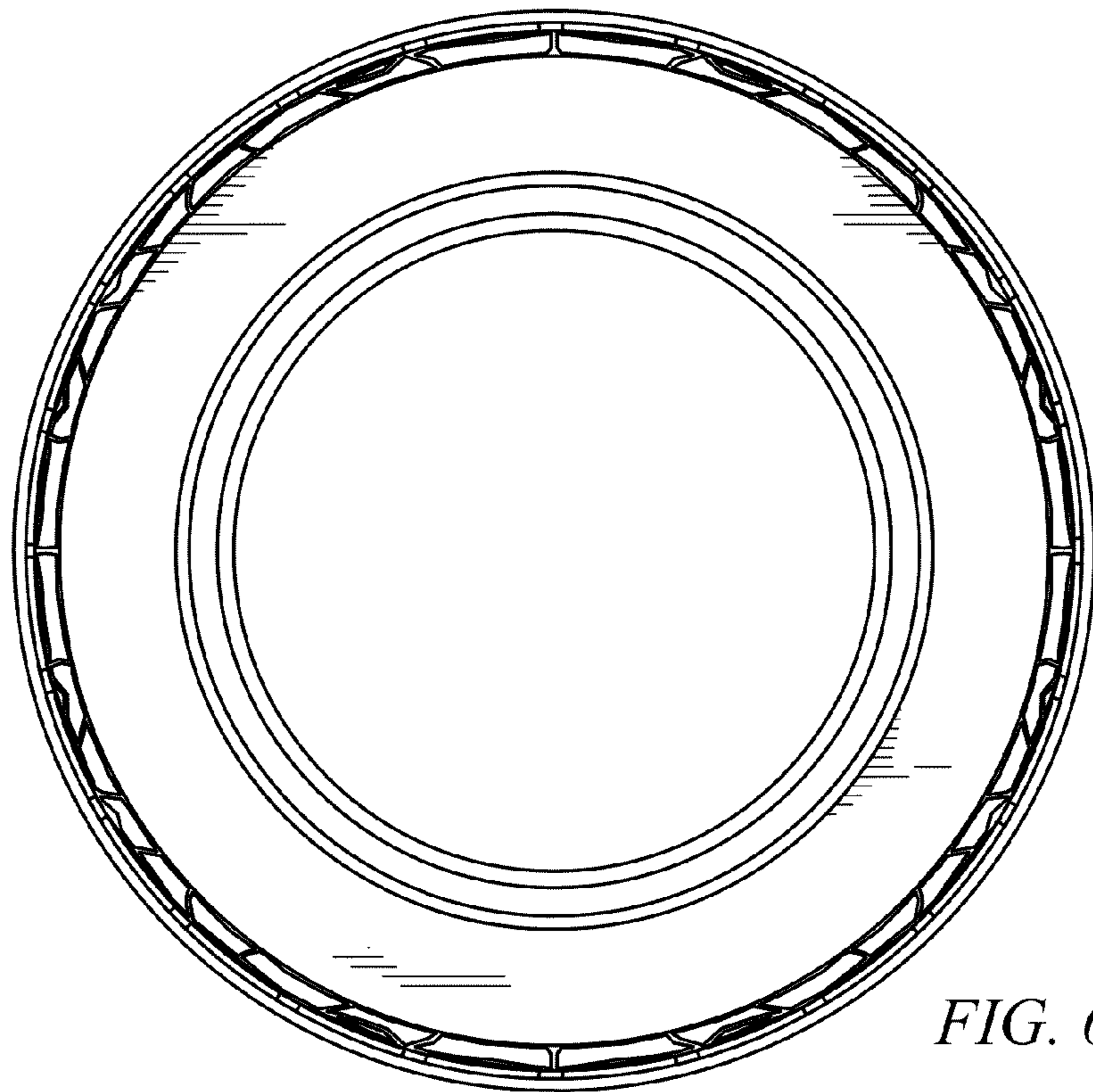
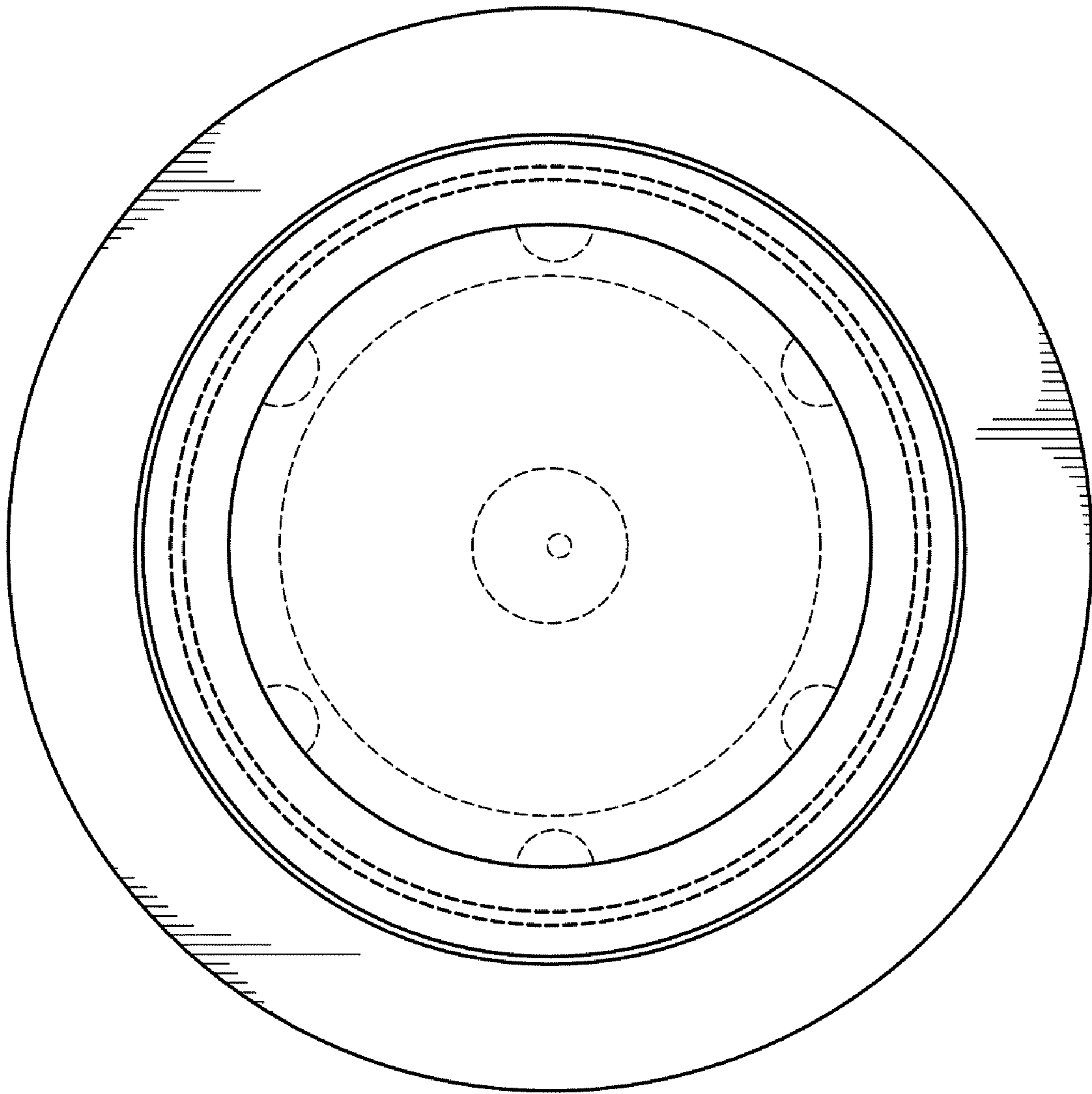


FIG. 6



*FIG. 7*