



US00D645604S

(12) **United States Design Patent**
Kauffman et al.

(10) **Patent No.:** **US D645,604 S**

(45) **Date of Patent:** **** Sep. 20, 2011**

(54) **STREET LIGHT RETROFIT ASSEMBLY**

(75) Inventors: **Rick Kauffman**, Buford, GA (US);
Donald Sipes, Colorado Springs, CO
(US); **Donald VanderSluis**, Sarasota, FL
(US); **Robert Fugerer**, Lutz, FL (US)

(73) Assignee: **Sunovia Energy Technologies, Inc.**,
Sarasota, FL (US)

(**) Term: **14 Years**

(21) Appl. No.: **29/361,123**

(22) Filed: **May 5, 2010**

(51) **LOC (9) Cl.** **26-99**

(52) **U.S. Cl.** **D26/118**

(58) **Field of Classification Search** D26/125,
D26/49, 46, 37, 118, 71, 92, 85, 87, 128,
D26/63, 65, 88, 76, 120, 113, 119, 138, 2,
D26/67, 72, 93, 123, 129, 130, 24, 107, 108,
D26/62, 109, 51, 127, 122, 131, 140, 141,
D26/142, 143, 144, 145, 58, 60, 68; 362/101,
362/34, 346, 223, 294, 549, 109, 190, 192,
362/249.01-249.11, 98, 99, 16, 17, 18, 19;
D13/179, 180; D23/411; 424/401, 402,
424/403, 404, 405; D8/353; 248/158, 122.1;
D25/124; D16/135, 131, 244, 136; D15/90;
359/801, 802, 807, 812; 119/245, 246, 247,
119/253, 256, 266

See application file for complete search history.

(56) **References Cited**

U.S. PATENT DOCUMENTS

D199,327	S	*	10/1964	Guth	D26/72
4,694,382	A	*	9/1987	Sales	362/346
5,865,527	A	*	2/1999	Lemons et al.	362/298
D425,652	S	*	5/2000	Brok	D26/118
6,302,564	B1	*	10/2001	Wedell et al.	362/263
7,261,440	B2	*	8/2007	Kwasny	362/297
7,278,761	B2	*	10/2007	Kuan	362/294
D578,697	S	*	10/2008	Zheng et al.	D26/71

7,434,959	B1	*	10/2008	Wang	362/249.01
7,445,363	B2	*	11/2008	Vanden Eynden	362/346
7,637,633	B2	*	12/2009	Wong	362/294
7,641,363	B1	*	1/2010	Chang et al.	362/294
D614,791	S	*	4/2010	Nibaldi	D26/71
D615,234	S	*	5/2010	Oblak	D26/71
D624,685	S	*	9/2010	Ham et al.	D26/71
D628,334	S	*	11/2010	Yamada	D26/71
2007/0253198	A1	*	11/2007	Pelegriin	362/246
2009/0213588	A1	*	8/2009	Manes	362/235
2010/0002448	A1	*	1/2010	Shih	362/296.05

* cited by examiner

Primary Examiner — Cathron Brooks

Assistant Examiner — Kevin Rudzinski

(74) *Attorney, Agent, or Firm* — Holland & Hart LLP

(57) **CLAIM**

The ornamental design for a street light retrofit assembly, as shown and described.

DESCRIPTION

FIG. 1 is a top perspective view of the street light retrofit assembly, showing our new design;

FIG. 2 is a bottom perspective view of the design illustrated in FIG. 1;

FIG. 3 is a front elevation view of the design illustrated in FIG. 1;

FIG. 4 is a rear elevation view of the design illustrated in FIG. 1;

FIG. 5 is a right side elevation view of the design illustrated in FIG. 1;

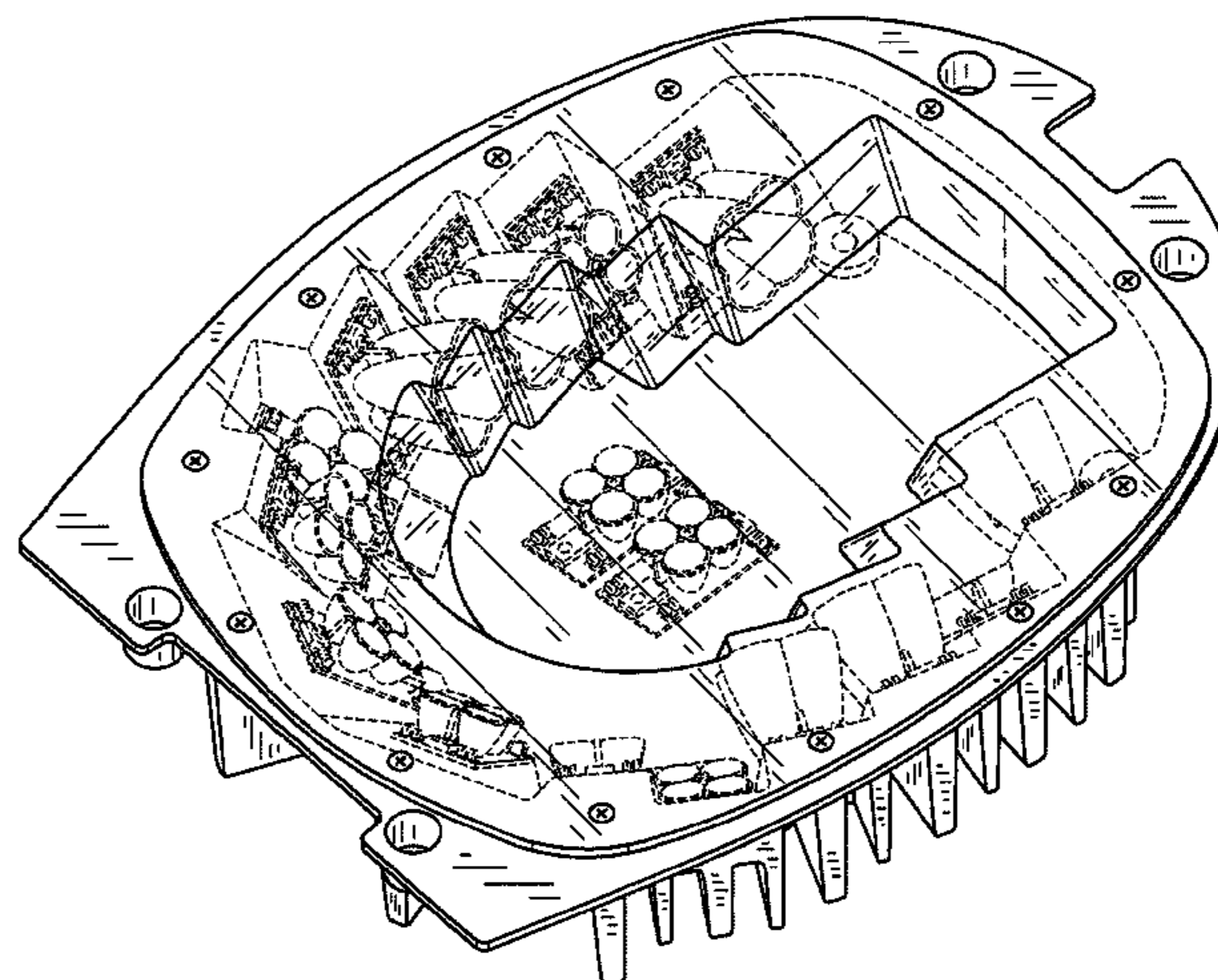
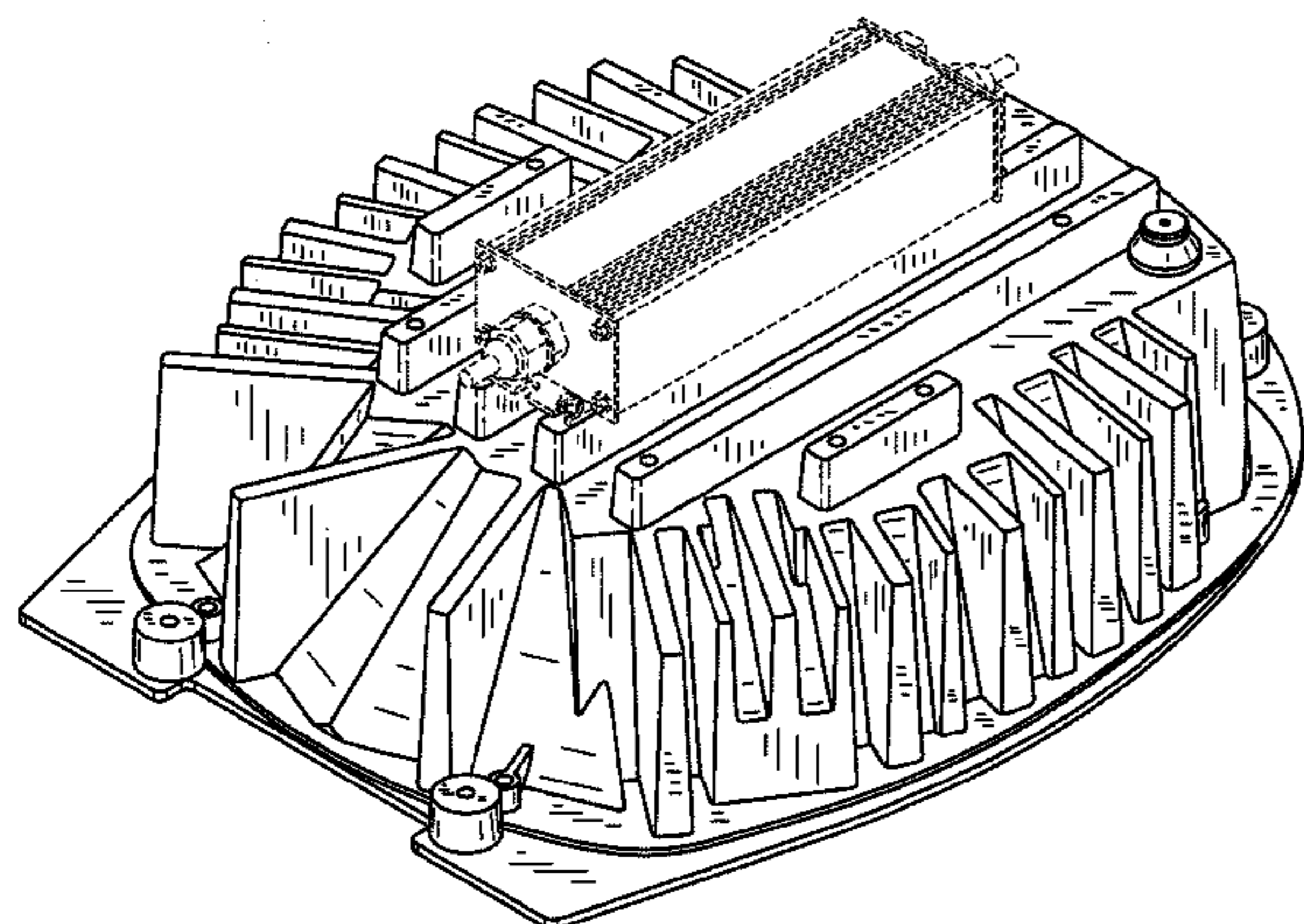
FIG. 6 is a left side elevation view of the design illustrated in FIG. 1;

FIG. 7 is a top plan view of the design illustrated in FIG. 1; and,

FIG. 8 is a bottom plan view of the design illustrated in FIG. 1.

Portions of the drawings executed in broken lines in the various views are provided to illustrate environment and do not form a part of the claimed design.

1 Claim, 6 Drawing Sheets



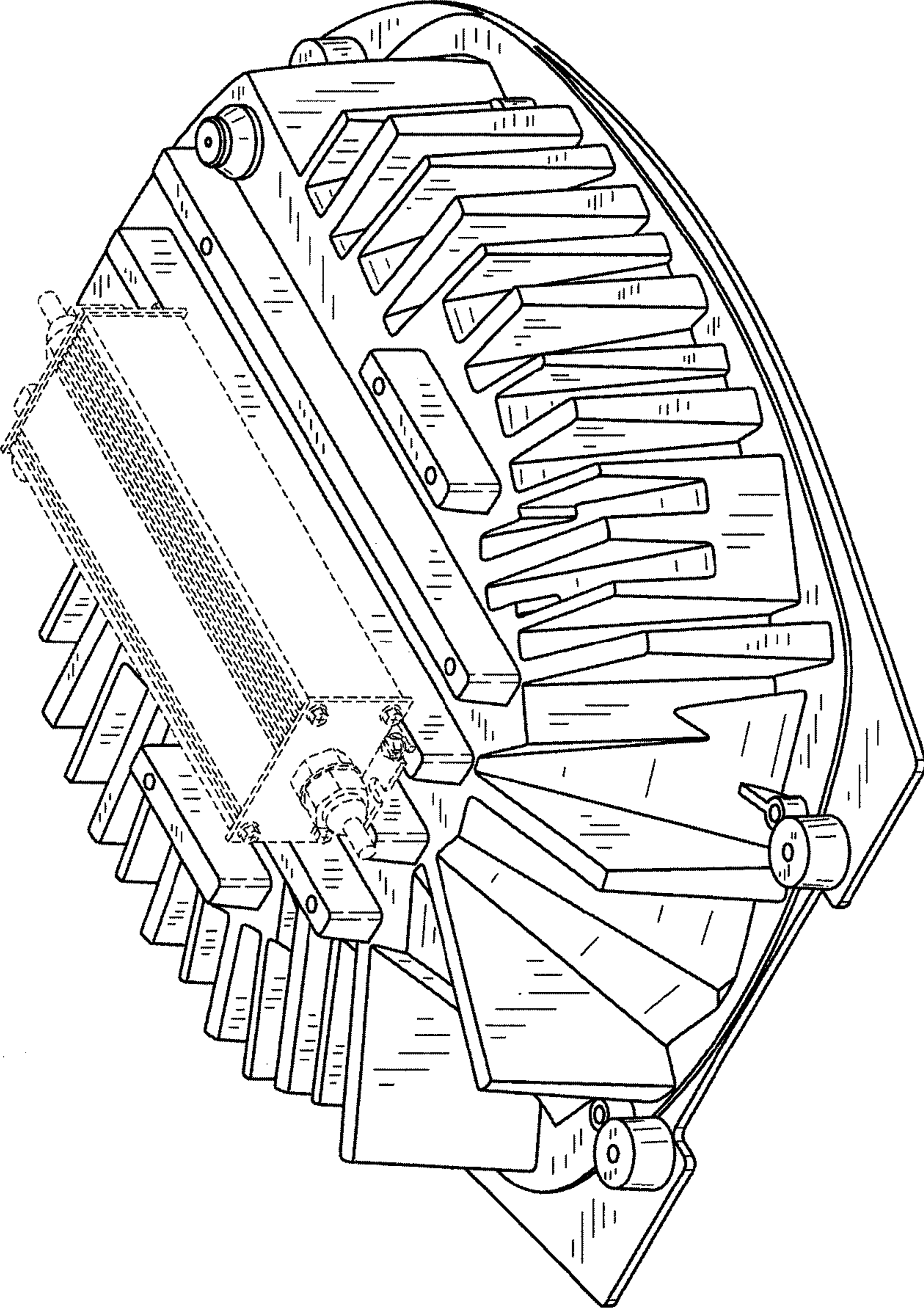


FIG.1

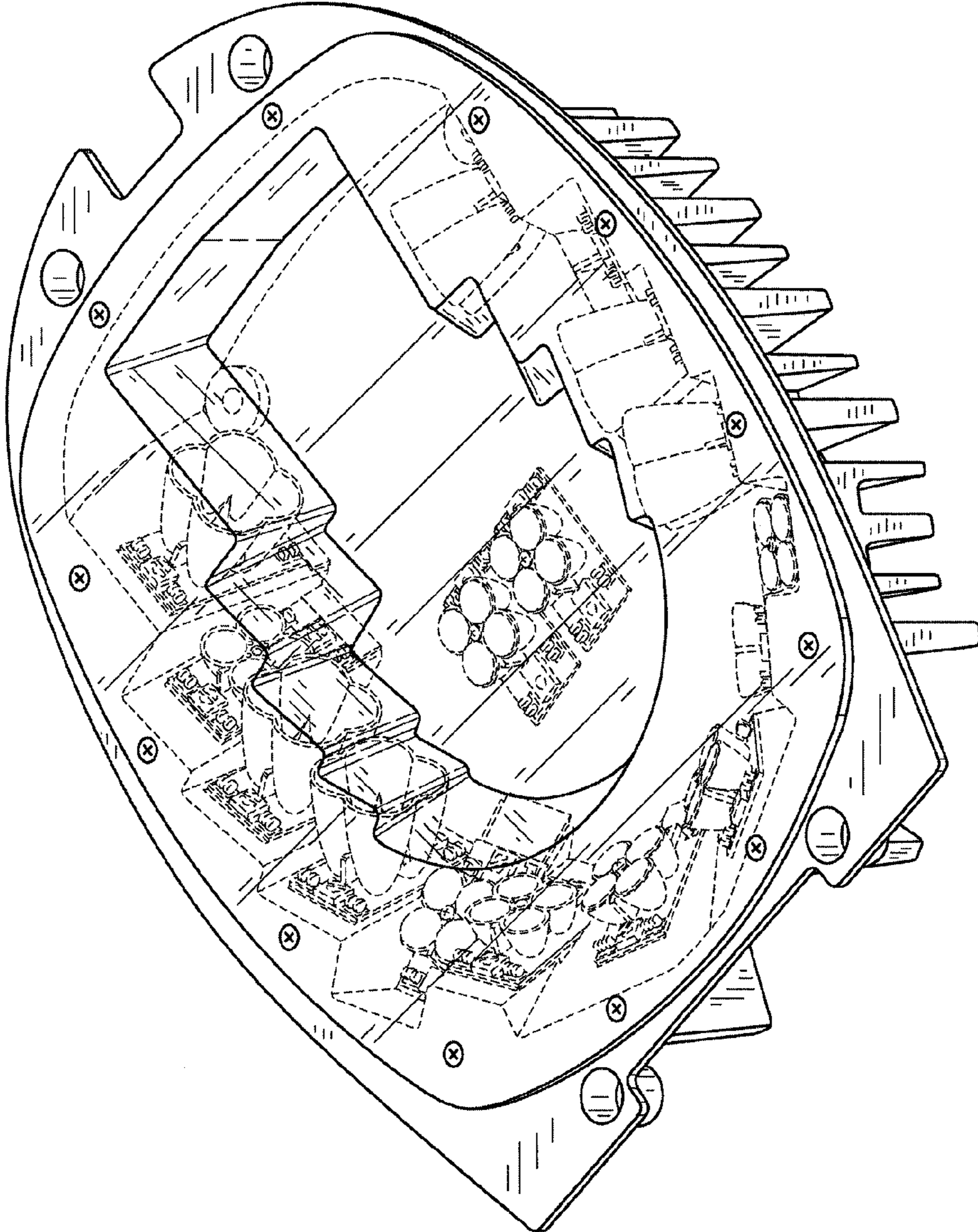


FIG.2

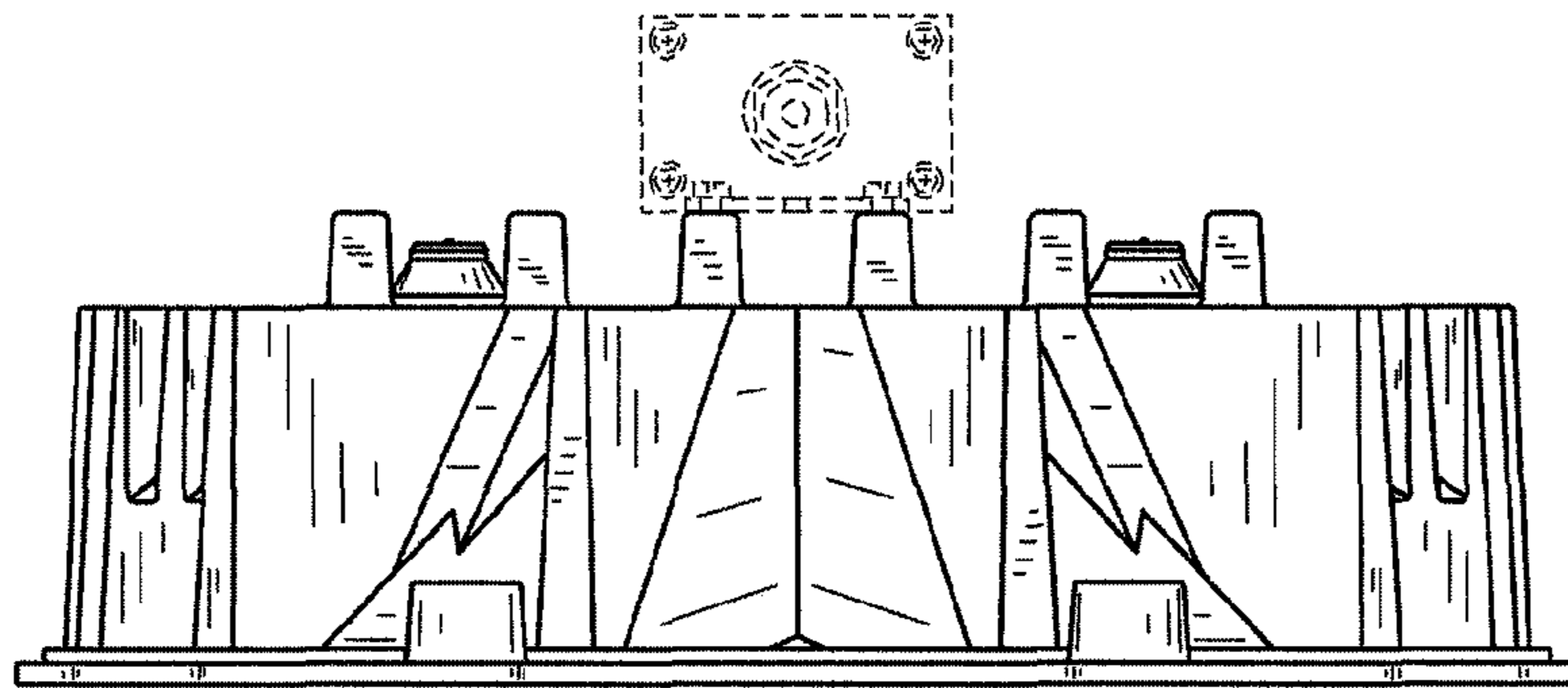


FIG.3

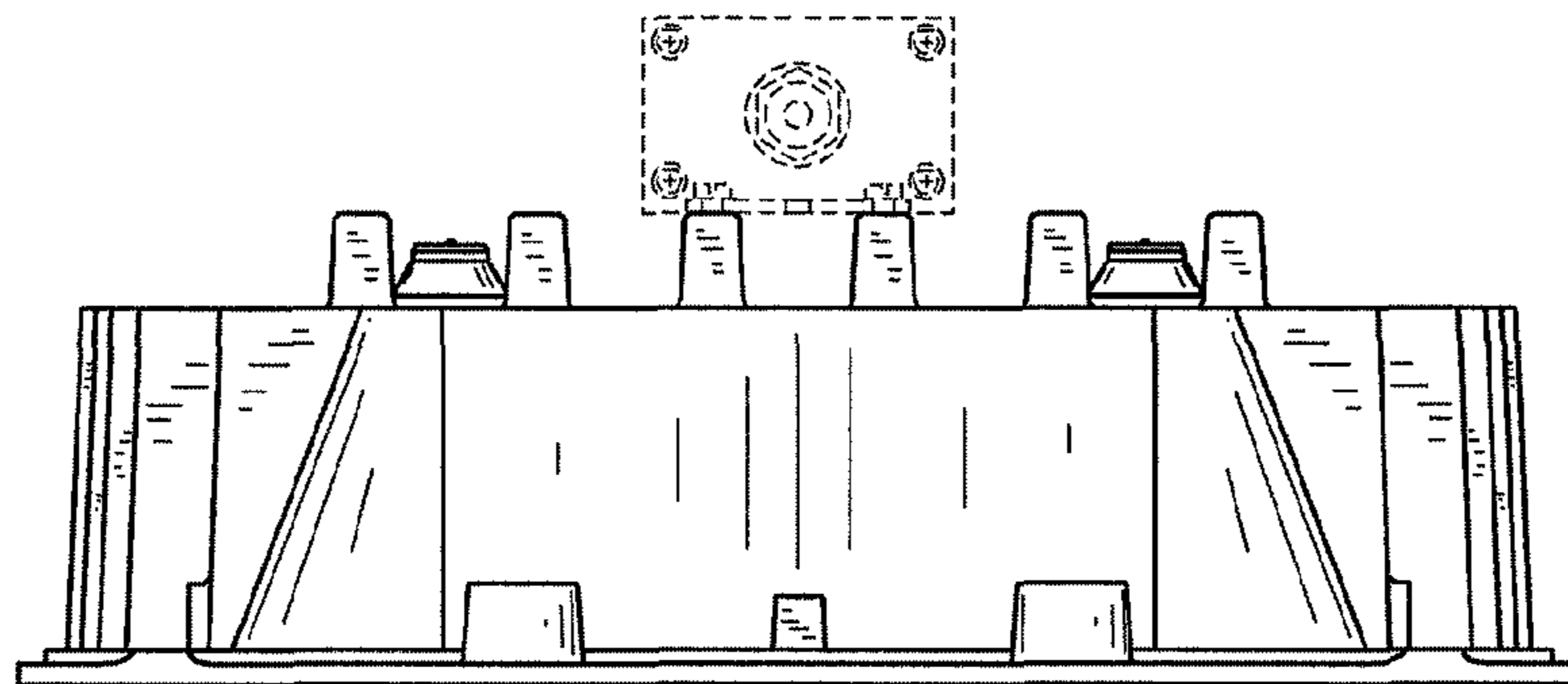


FIG.4

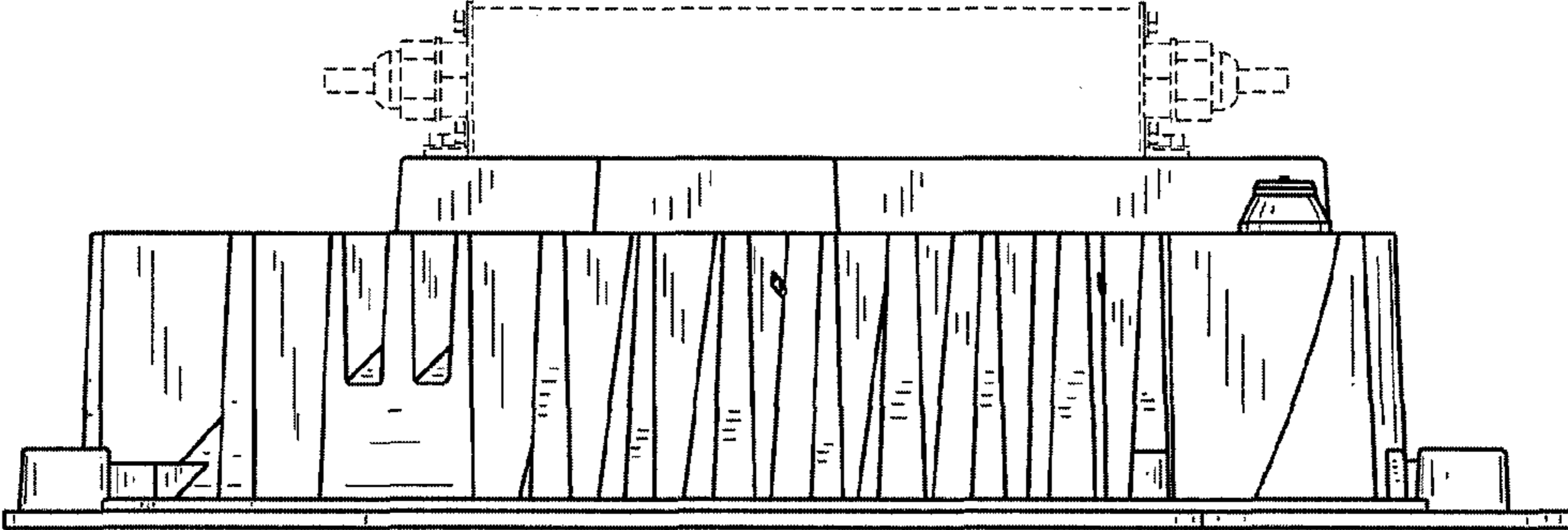


FIG. 5

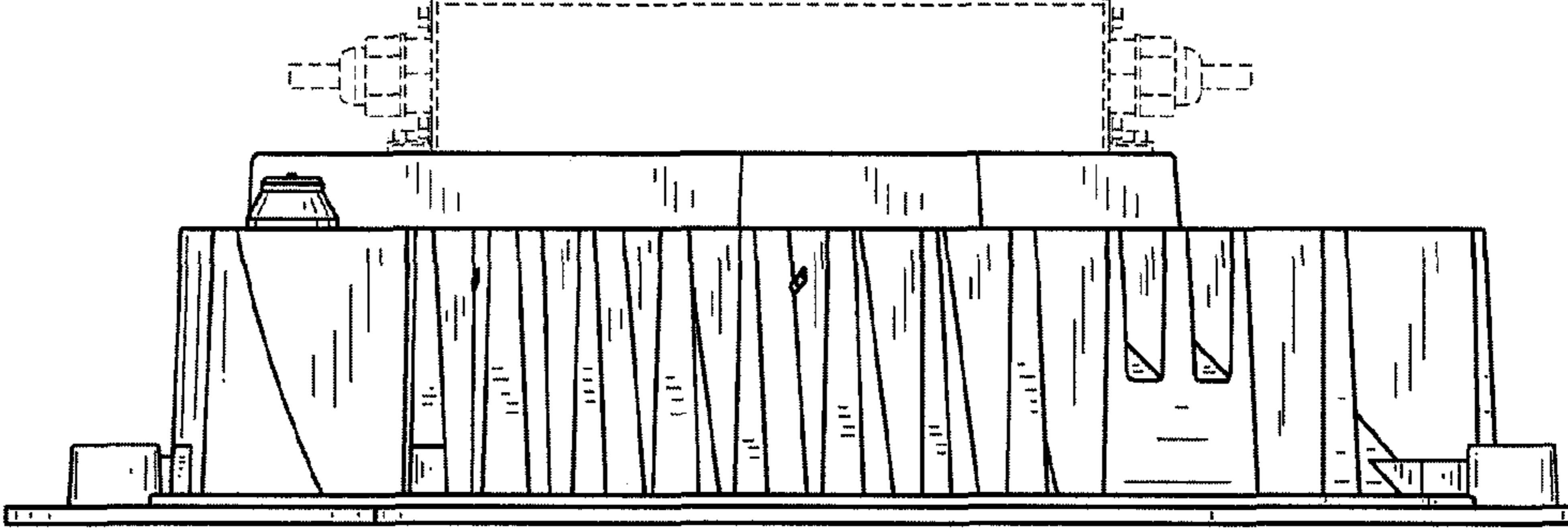


FIG. 6

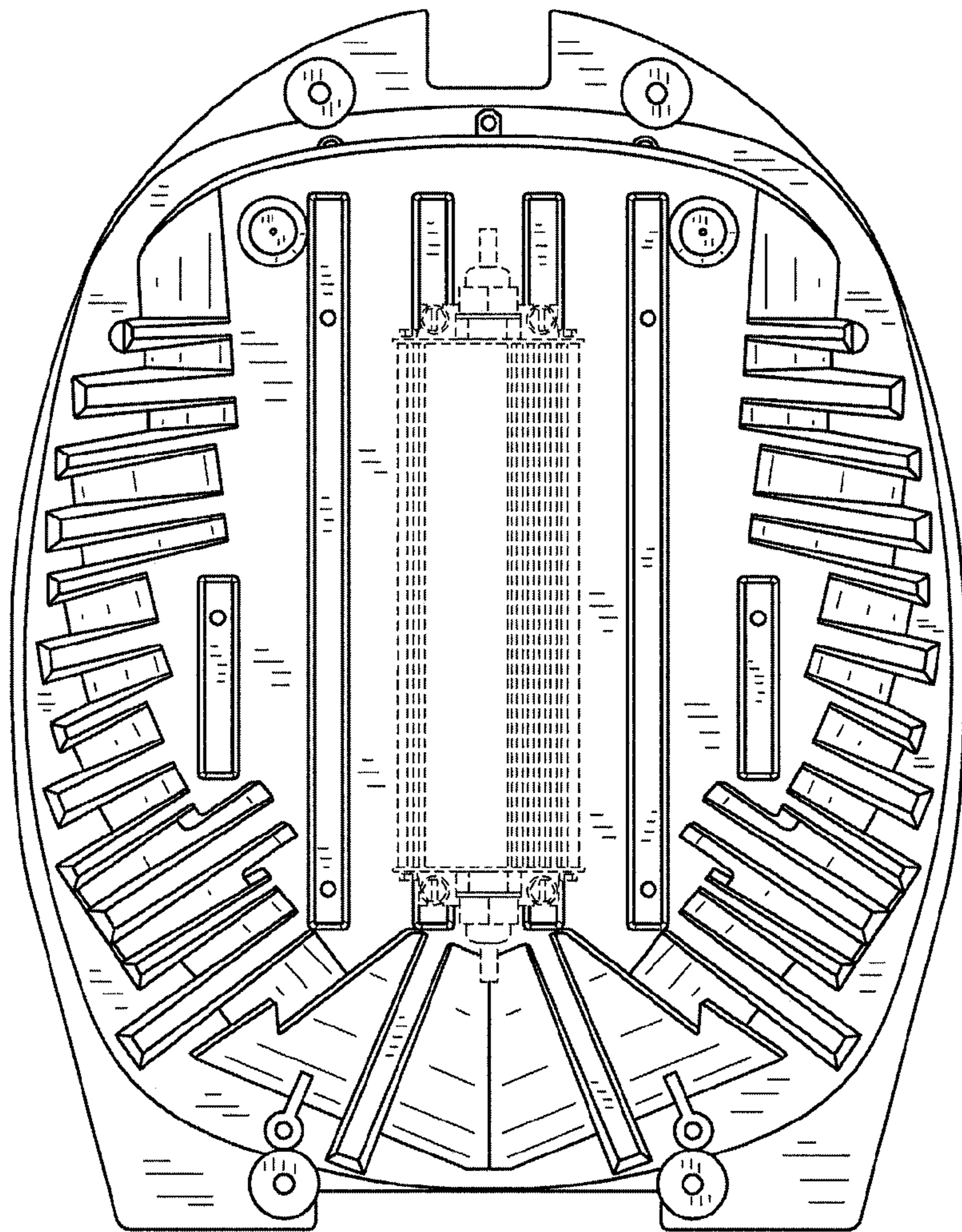


FIG.7

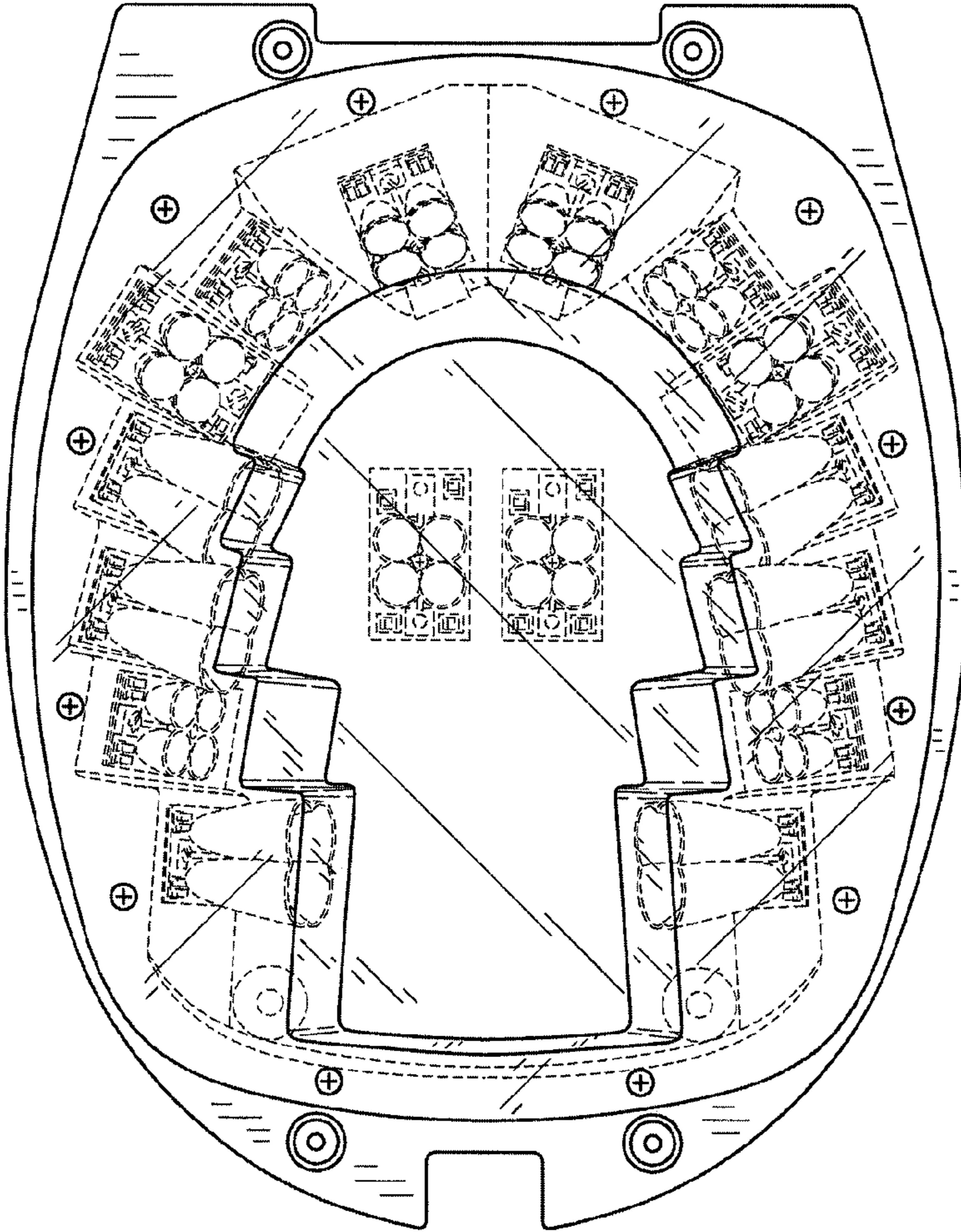


FIG.8