



US00D645603S

(12) **United States Design Patent**
Overy et al.

(10) **Patent No.:** **US D645,603 S**

(45) **Date of Patent:** **** Sep. 20, 2011**

(54) **NOVELTY LIGHT**

(76) Inventors: **Cory Scott Overy**, Jacksonville, OR (US); **Sharon Lynn Gregory-Overy**, Jacksonville, OR (US)

(**) Term: **14 Years**

(21) Appl. No.: **29/378,995**

(22) Filed: **Nov. 12, 2010**

(51) **LOC (9) Cl.** **26-03**

(52) **U.S. Cl.** **D26/93**

(58) **Field of Classification Search** D26/1, D26/24, 67, 72, 85, 73, 93-94, 101, 104-110, D26/113, 118; 362/3, 153, 186, 217, 255, 362/257, 277, 317, 351, 353, 362, 363, 382, 362/431, 433, 458, 806; D6/512
See application file for complete search history.

(56) **References Cited**

U.S. PATENT DOCUMENTS

D157,079 S * 1/1950 Norton D26/93
D226,507 S * 3/1973 Wright D6/512
D236,651 S * 9/1975 Park D26/104

D292,027 S * 9/1987 LaRoye D26/104
D328,798 S * 8/1992 Leonard D26/104
D557,449 S * 12/2007 Chow D26/93
D590,098 S * 4/2009 Campbell D26/104

* cited by examiner

Primary Examiner — Brian N Vinson

(74) *Attorney, Agent, or Firm* — Antonio Papageorgiou; Ostrow Kaufman LLP

(57) **CLAIM**

The ornamental design for the novelty light, as shown and described.

DESCRIPTION

FIG. 1 is a perspective view of one side and the front of the novelty light according to another embodiment of our new design;

FIG. 2 is a front view thereof;

FIG. 3 is a back view thereof;

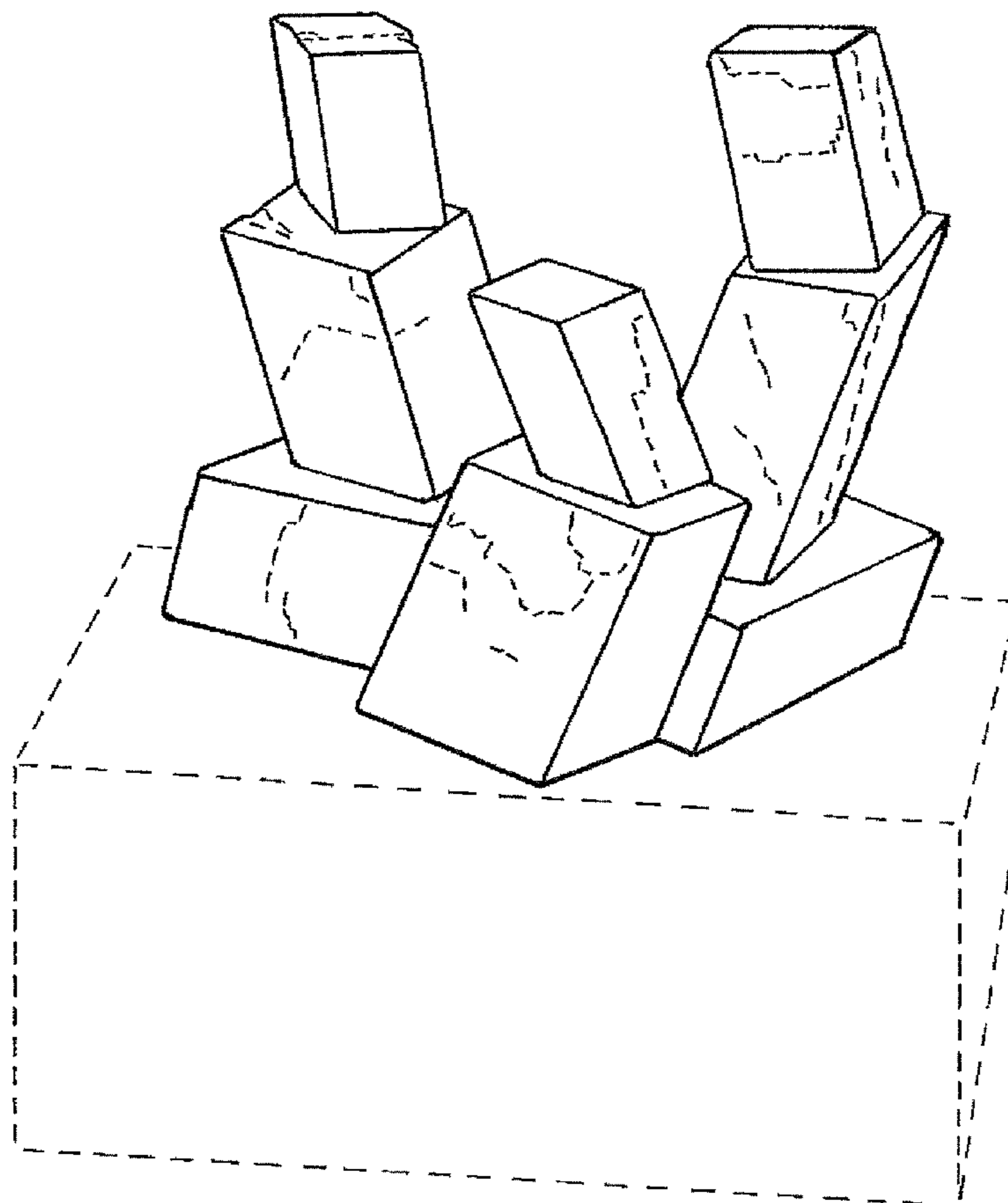
FIG. 4 is a left side view thereof;

FIG. 5 is a right side view thereof;

FIG. 6 is a top view thereof; and,

FIG. 7 is a bottom view thereof.

1 Claim, 4 Drawing Sheets



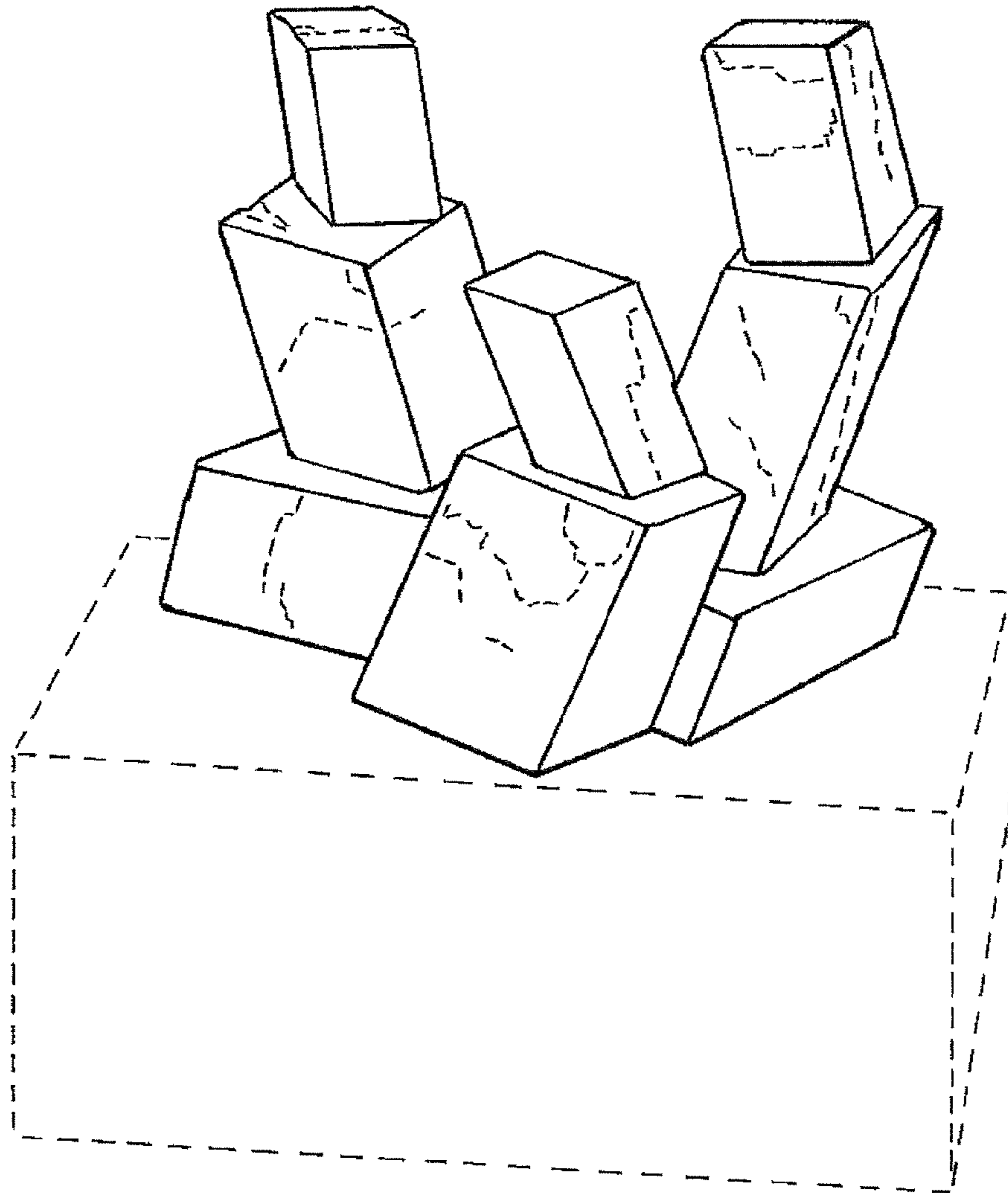


FIG. 1

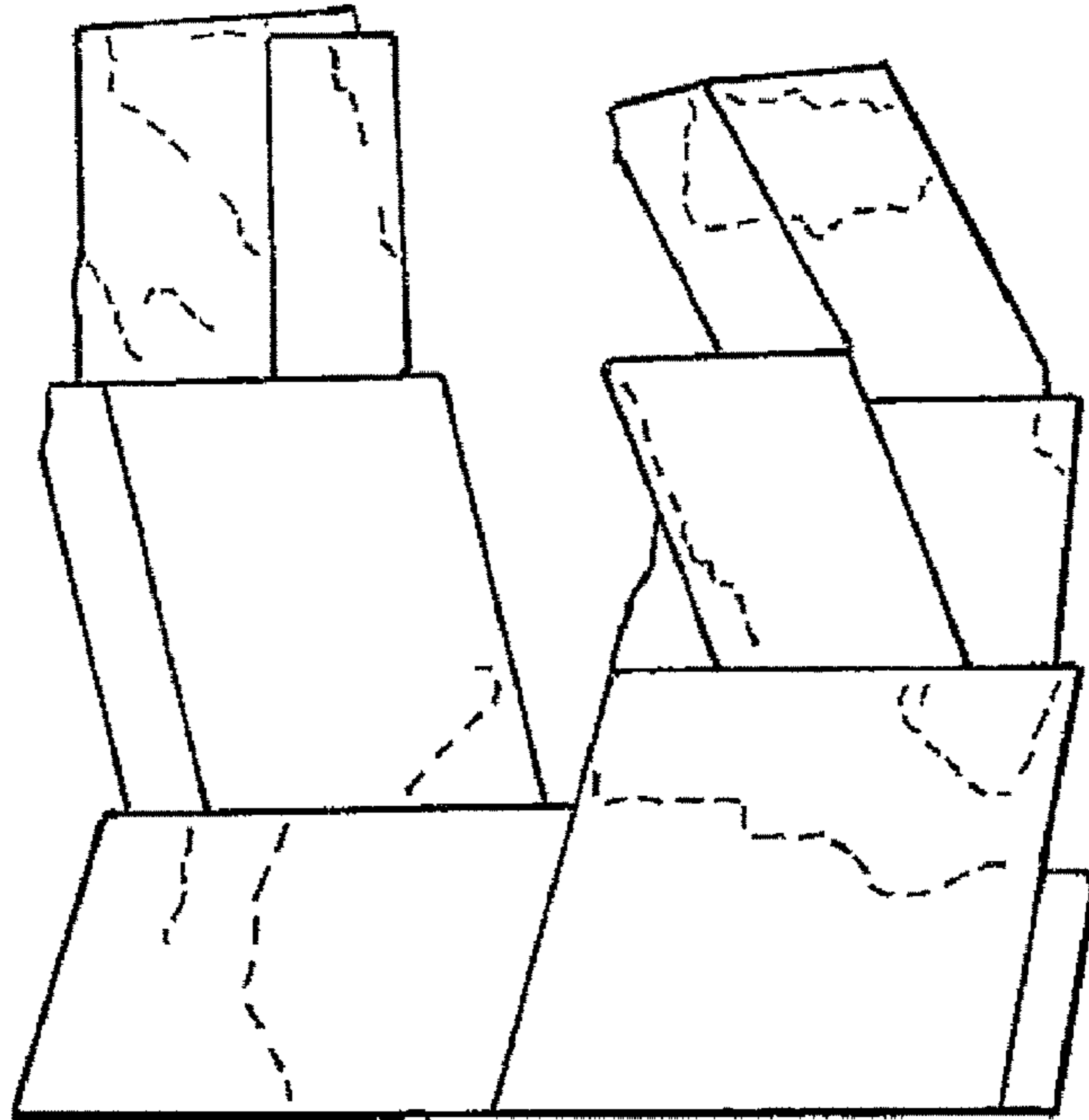


FIG. 2

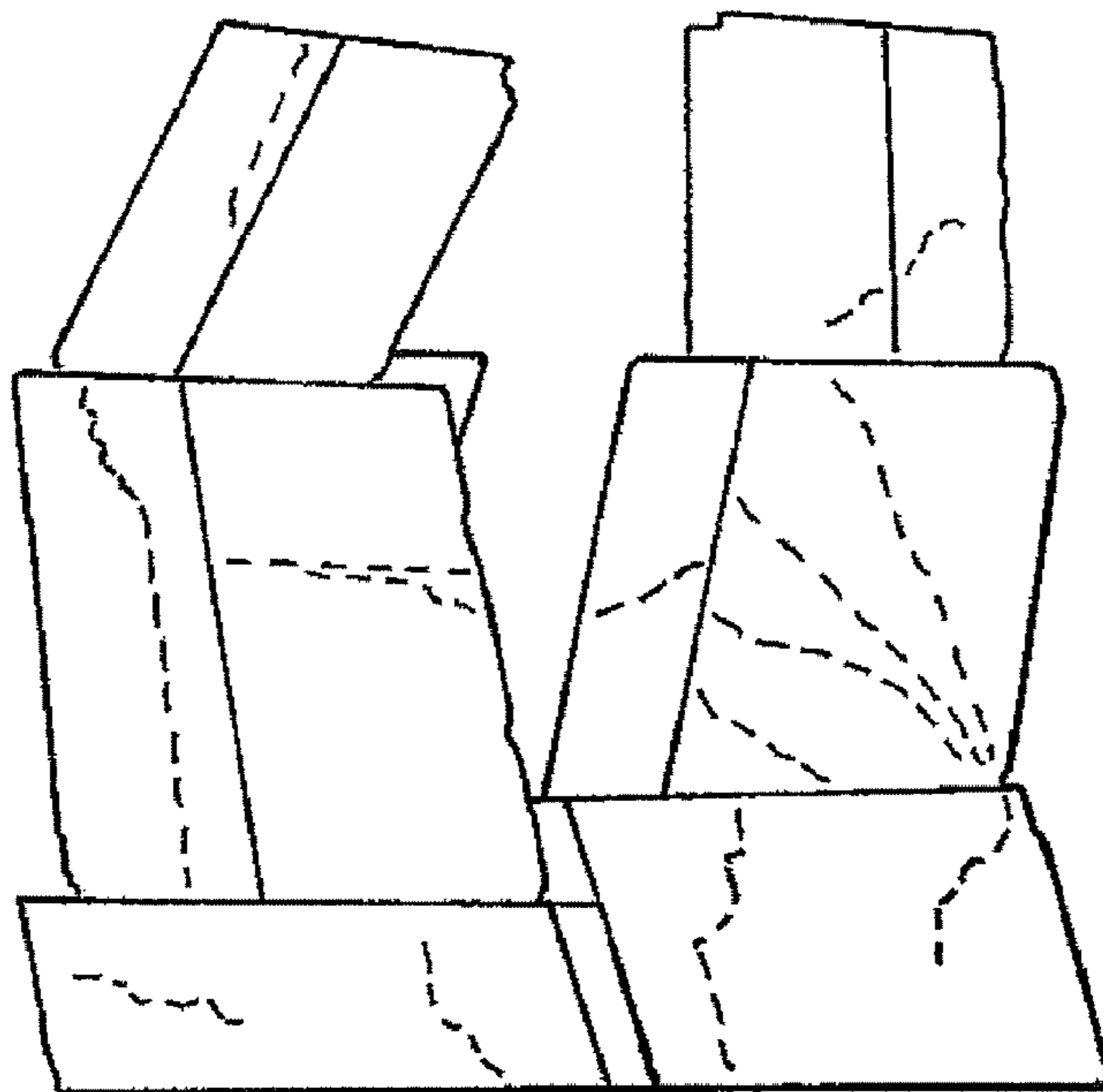


FIG. 3

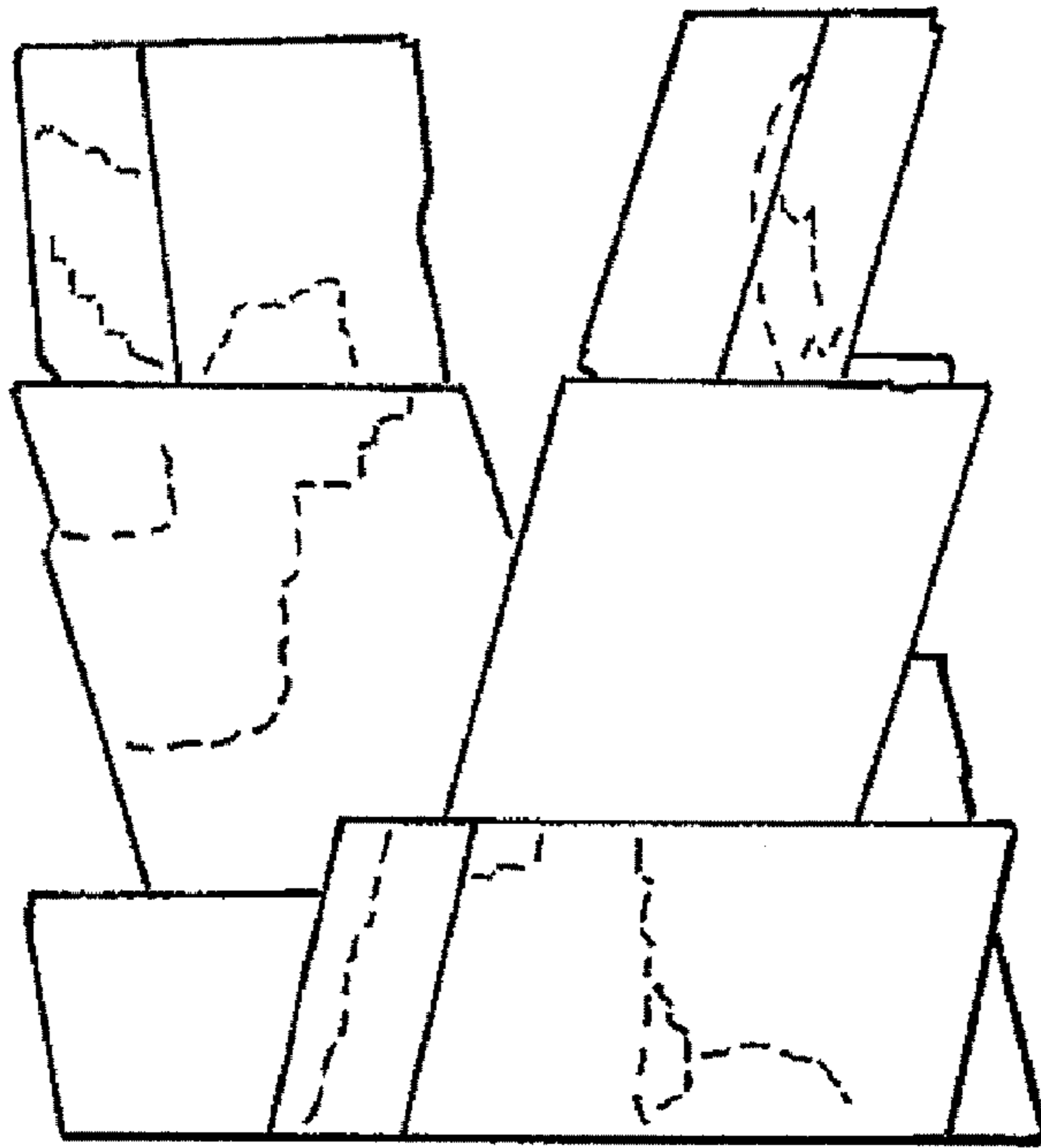


FIG. 4

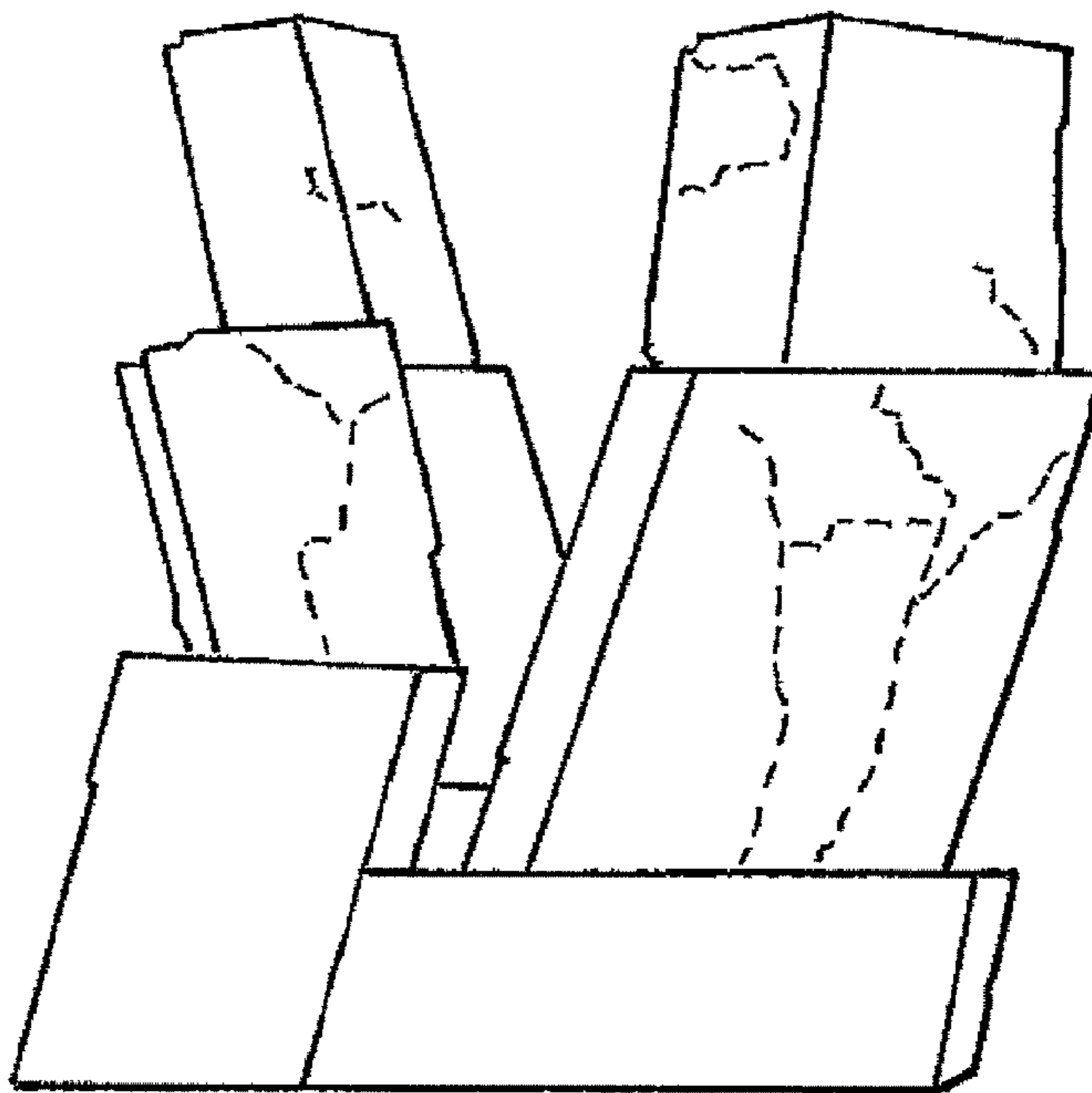


FIG. 5

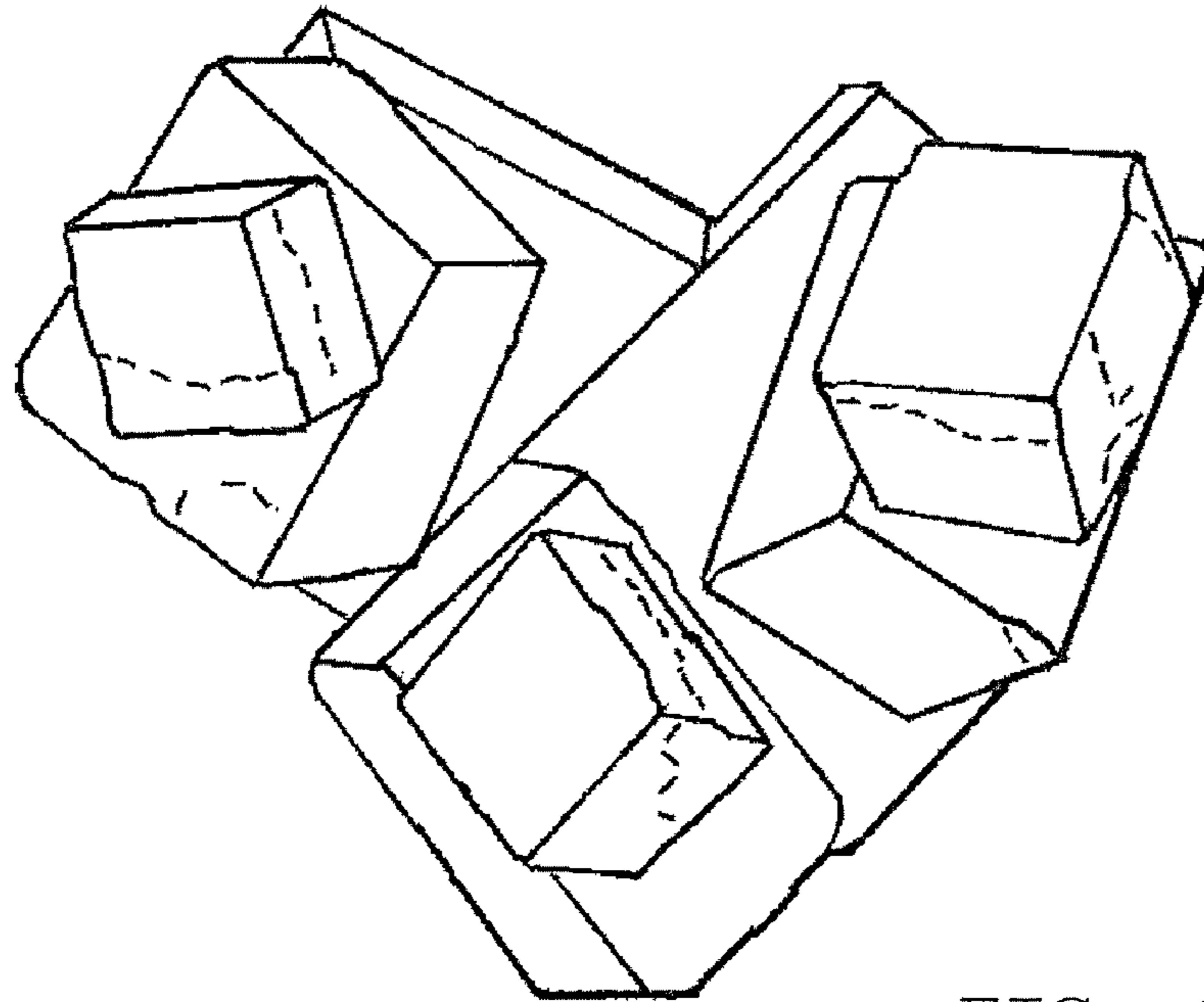


FIG. 6

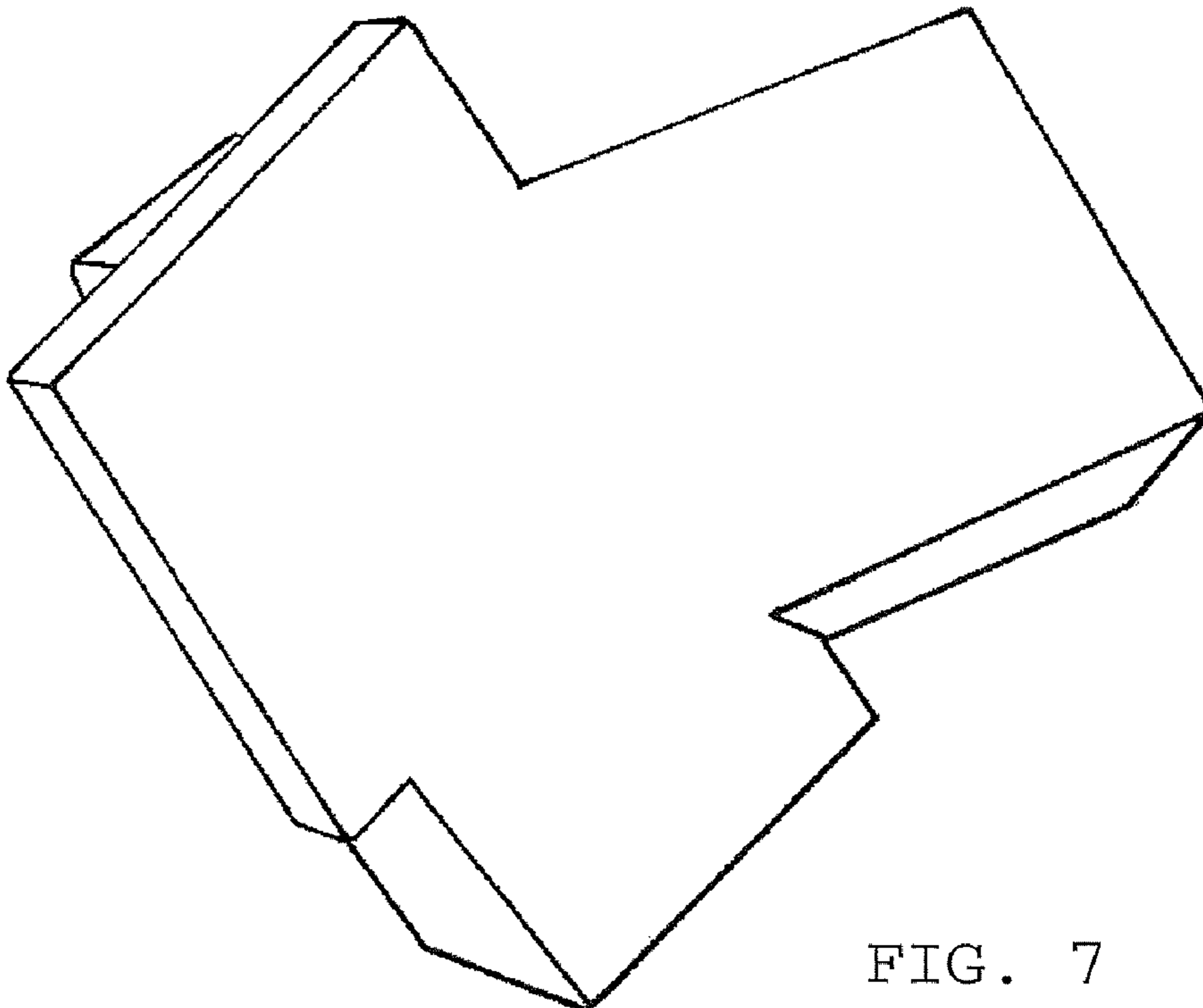


FIG. 7