



US00D645601S

(12) **United States Design Patent**
Bacon

(10) **Patent No.:** **US D645,601 S**

(45) **Date of Patent:** **** Sep. 20, 2011**

(54) **LED LIGHT**

(76) **Inventor:** **Douglas Garfield Bacon**, Rothesay (CA)

(**) **Term:** **14 Years**

(21) **Appl. No.:** **29/370,999**

(22) **Filed:** **Oct. 4, 2010**

(51) **LOC (9) Cl.** **26-05**

(52) **U.S. Cl.** **D26/71**

(58) **Field of Classification Search** D26/67-71,
D26/85, 92; 362/145, 183, 231, 240, 249.02,
362/249.03, 249.04, 249.06, 249.16, 373,
362/311.02, 697, 547, 431, 432

See application file for complete search history.

(56) **References Cited**

U.S. PATENT DOCUMENTS

D599,941 S *	9/2009	Wang et al.	D26/71
D599,942 S *	9/2009	Zheng	D26/71
D629,953 S *	12/2010	Laporte	D26/71
D635,289 S *	3/2011	Kong et al.	D26/71
D636,106 S *	4/2011	Lee et al.	D26/71

* cited by examiner

Primary Examiner — Clare E Hefflin

(74) *Attorney, Agent, or Firm* — Palmer C. DeMeo

(57) **CLAIM**

I claim the ornamental design for an LED light, as shown and described.

DESCRIPTION

FIG. 1 is a top perspective view of the LED light showing my new design;

FIG. 2 is a rear, side perspective view of the LED light shown in FIG. 1;

FIG. 3 is front perspective view of the LED light shown in FIG. 1;

FIG. 4 is a bottom perspective view of the LED light shown in FIG. 1;

FIG. 5 is a top perspective view of another embodiment of the LED light showing my new design;

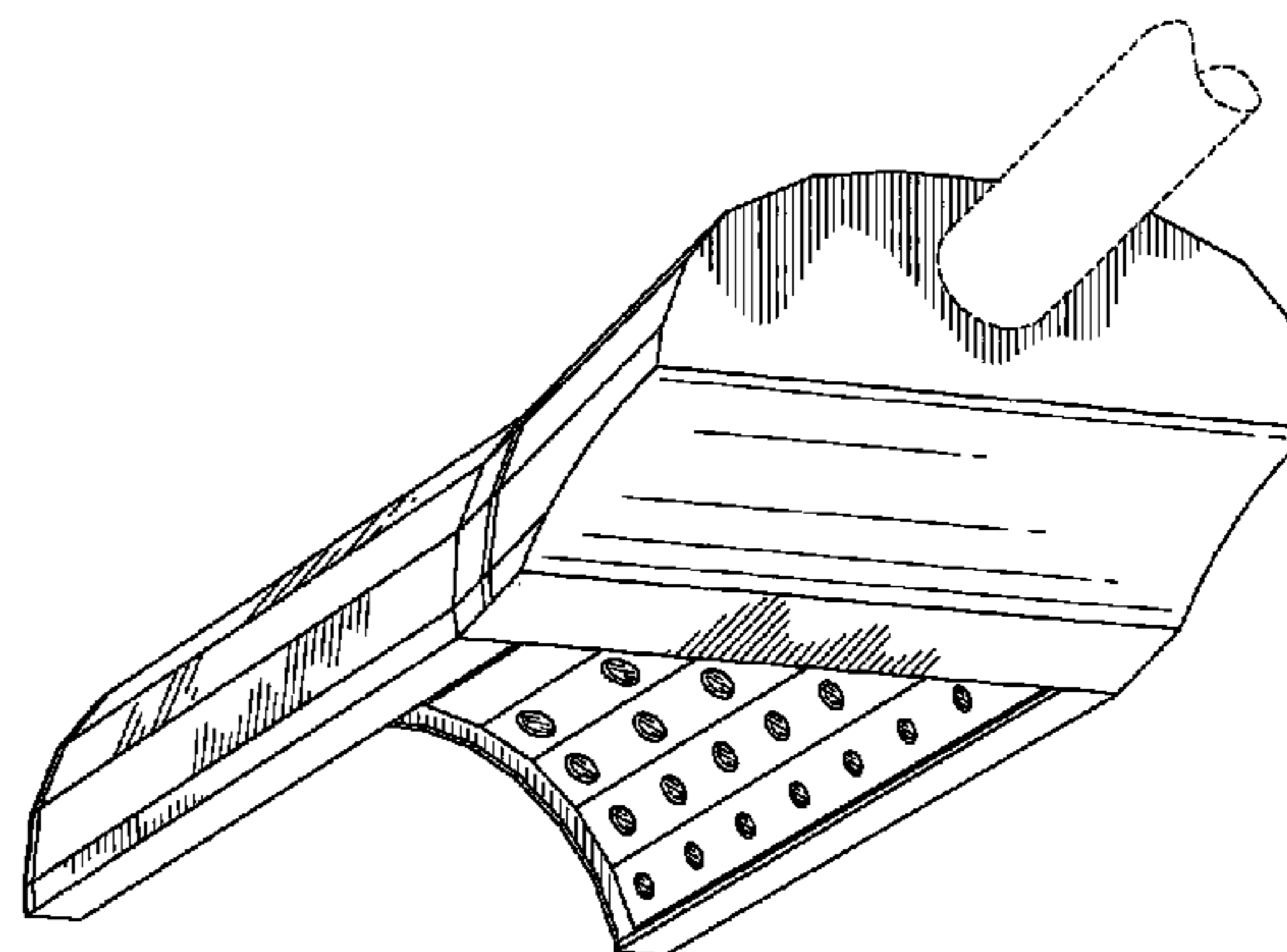
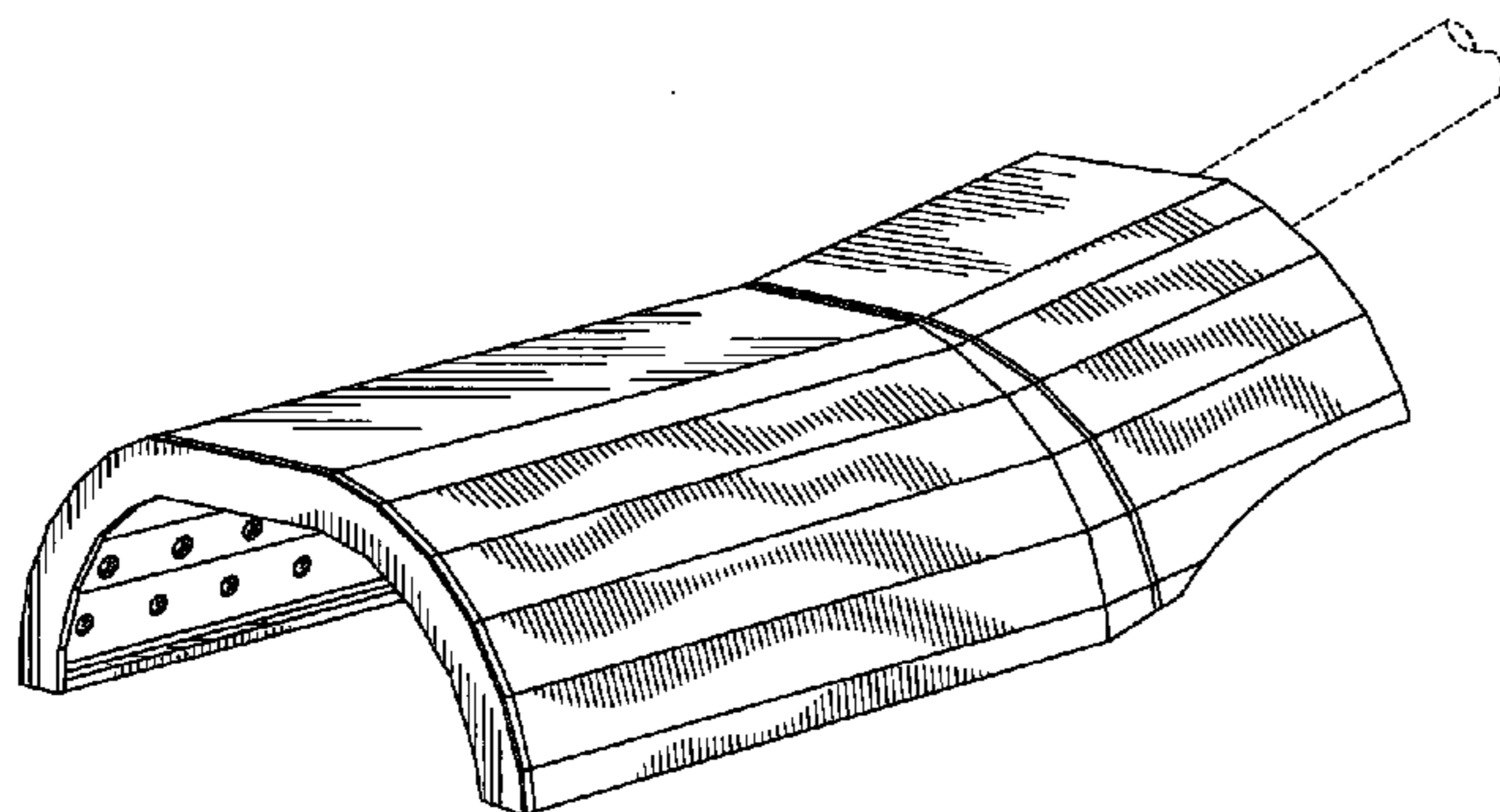
FIG. 6 is a rear, side perspective view of the LED light shown in FIG. 5;

FIG. 7 is a front perspective view of the LED light shown in FIG. 5; and,

FIG. 8 is a bottom perspective view of the LED light shown in FIG. 5.

The broken lines shown at the rear of the LED light are for illustrative purposes only and form no part of the claimed design.

1 Claim, 8 Drawing Sheets



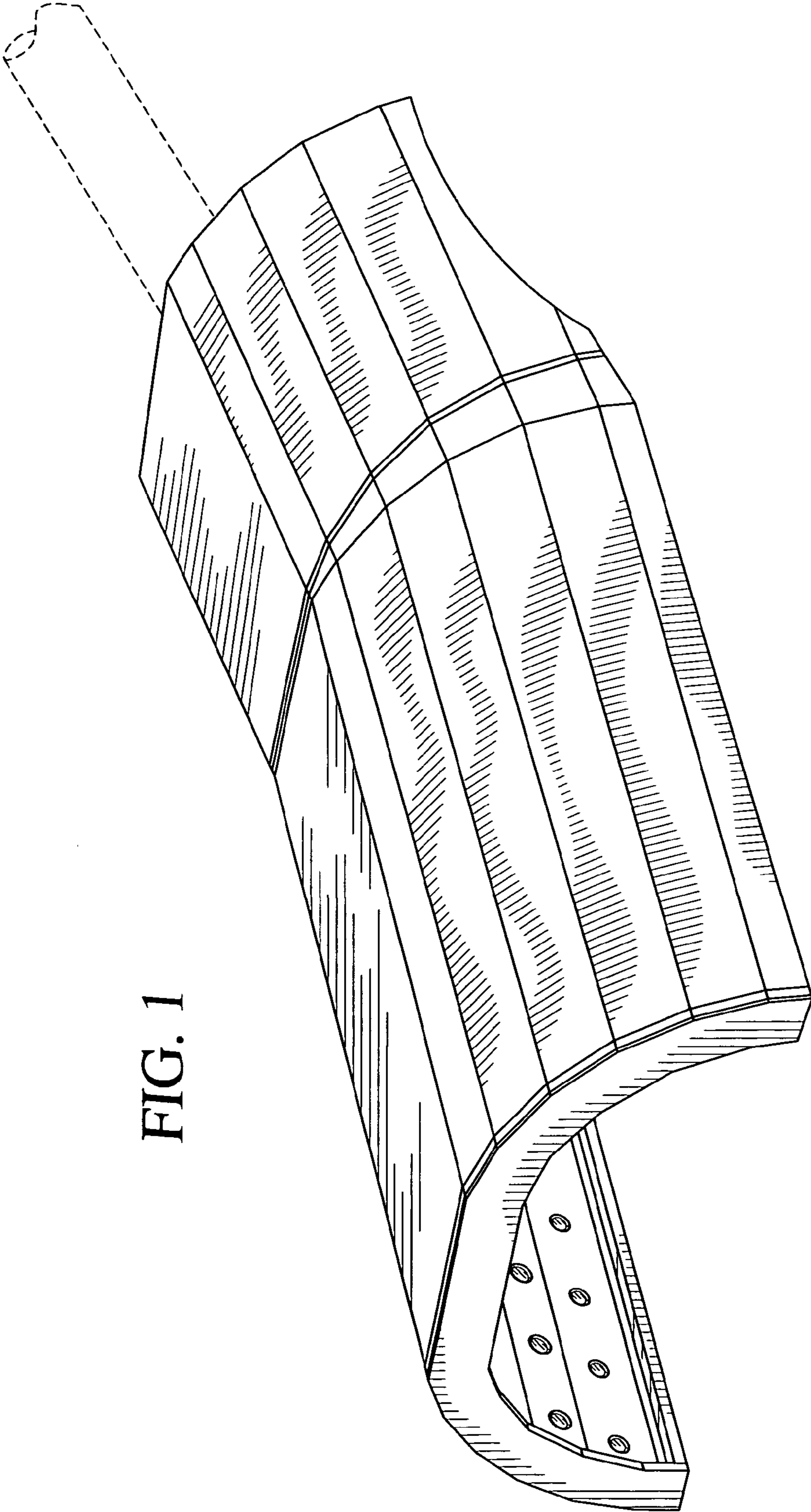


FIG. 1

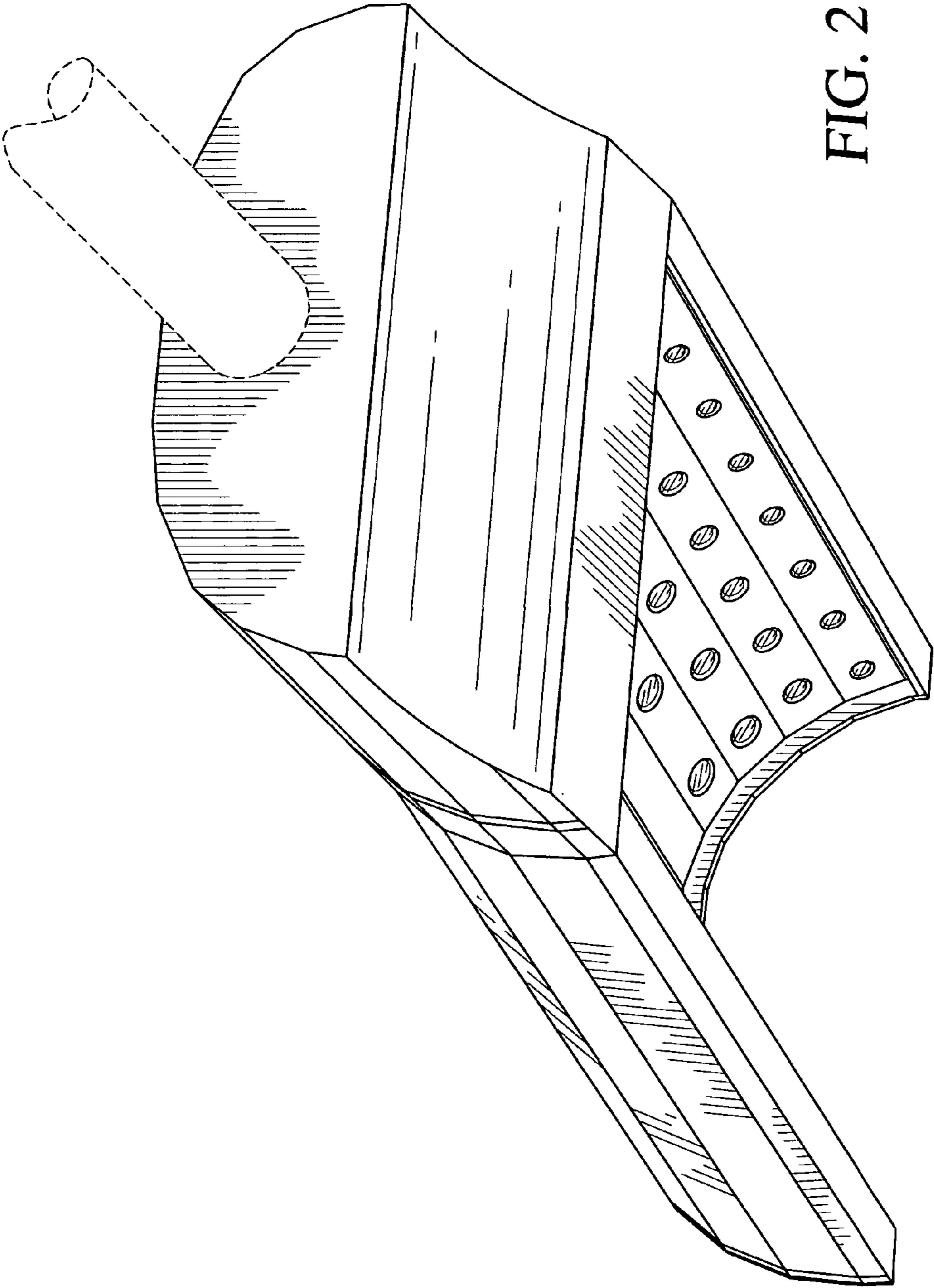


FIG. 2

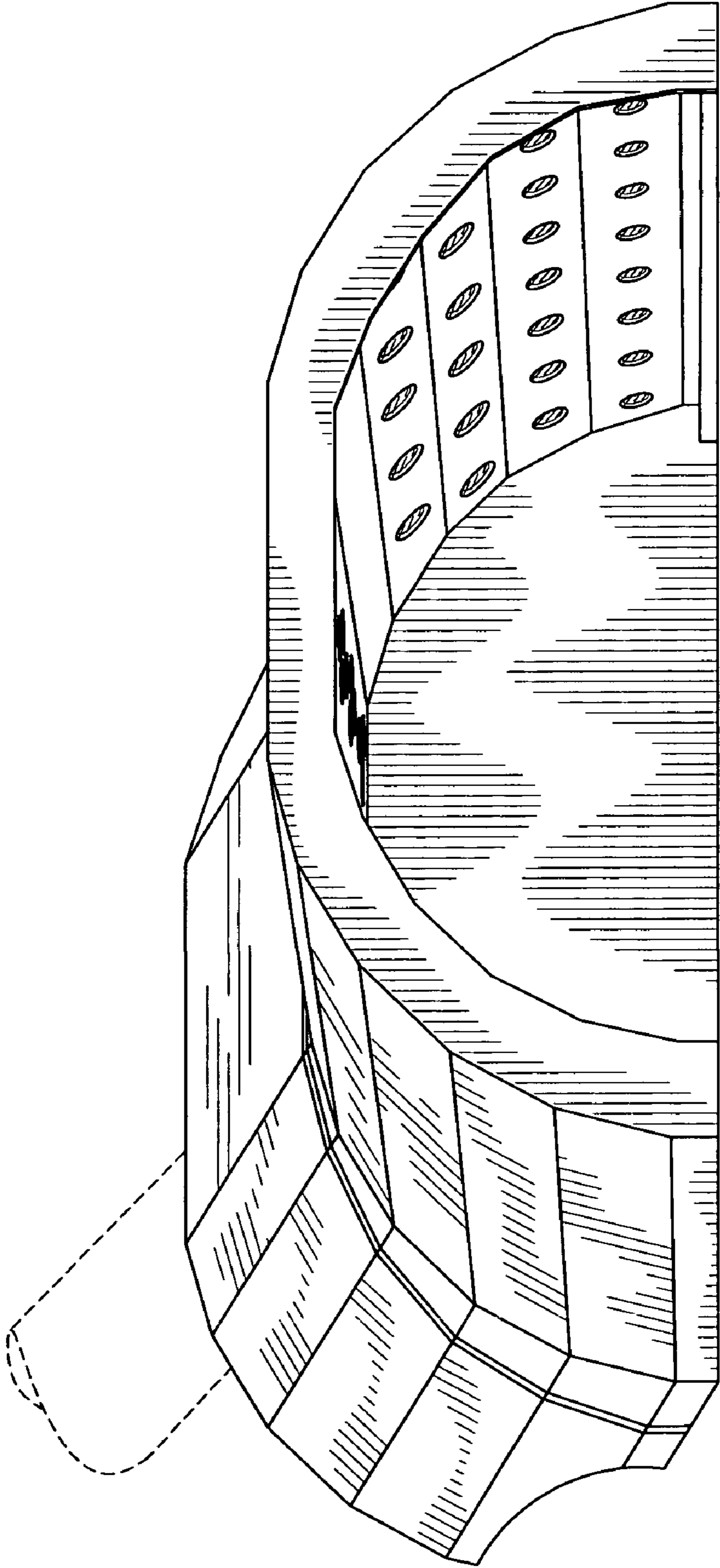


FIG. 3

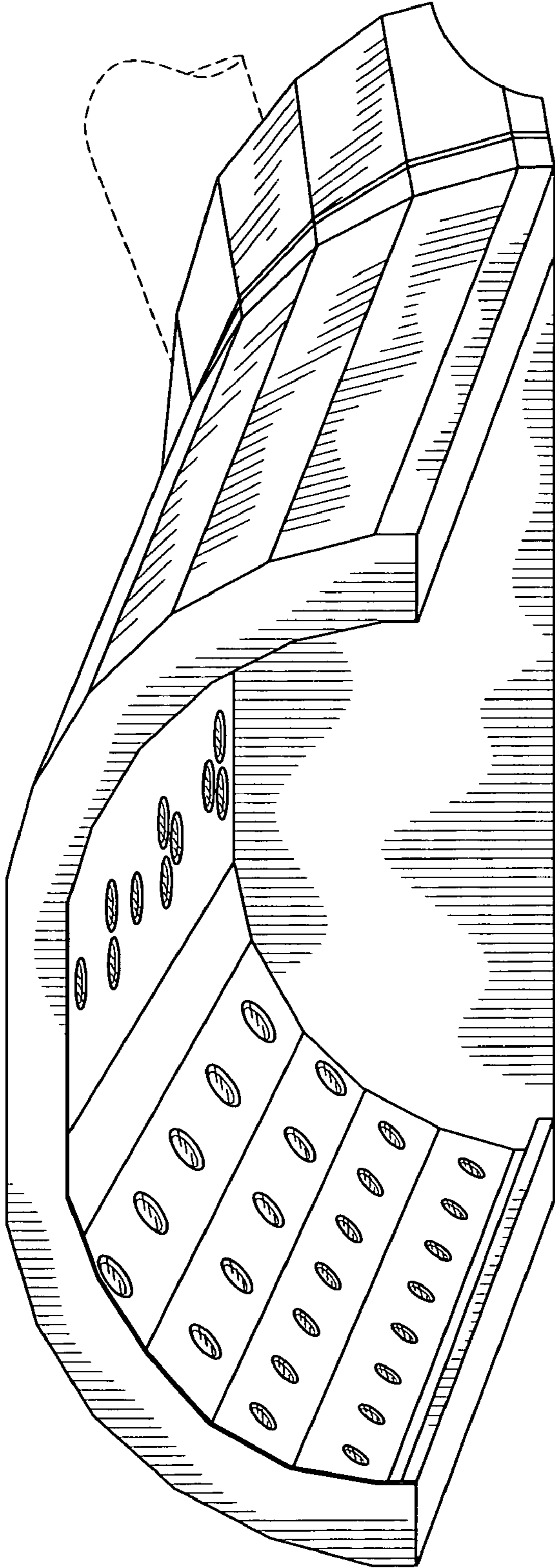


FIG. 4

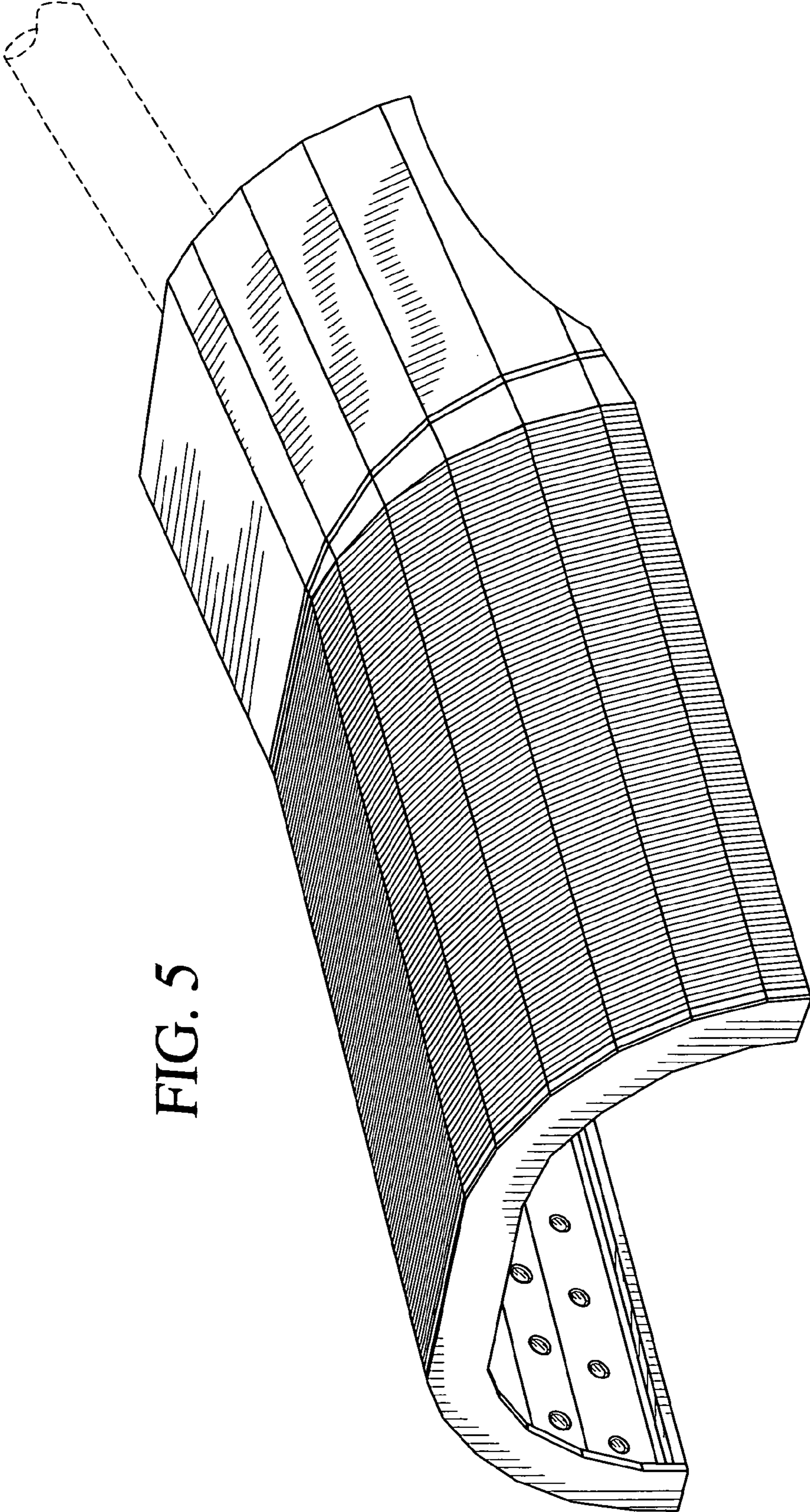


FIG. 5

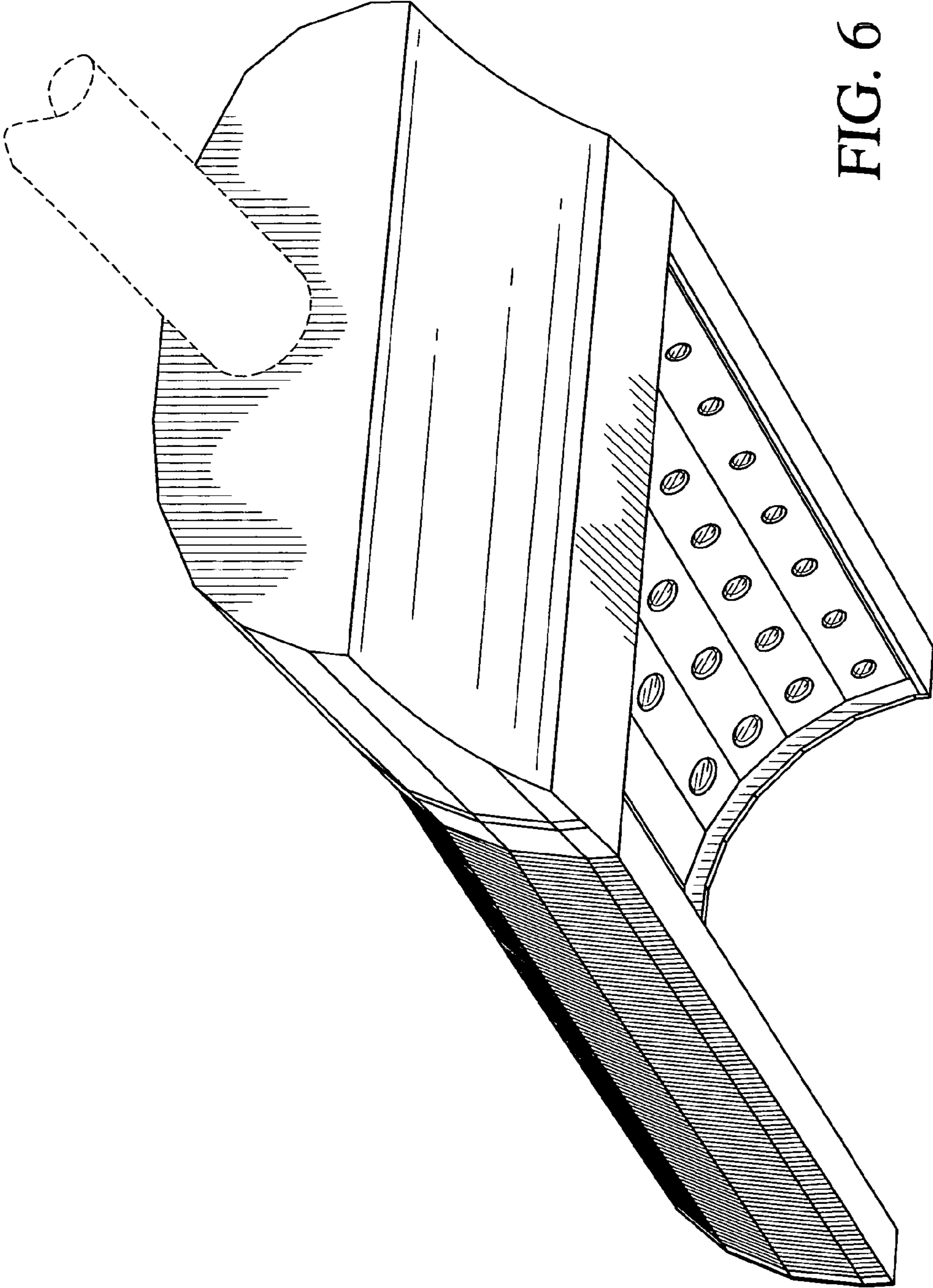


FIG. 6

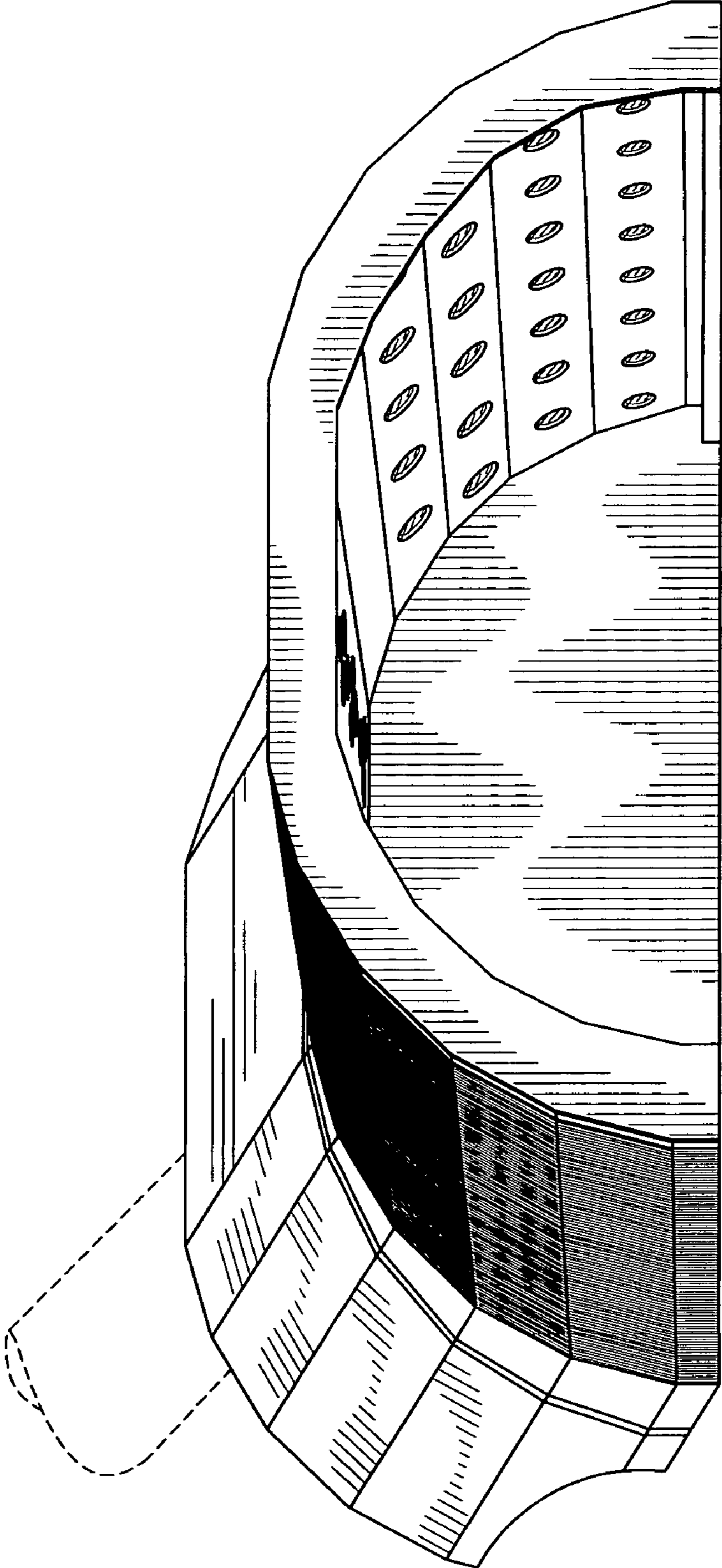


FIG. 7

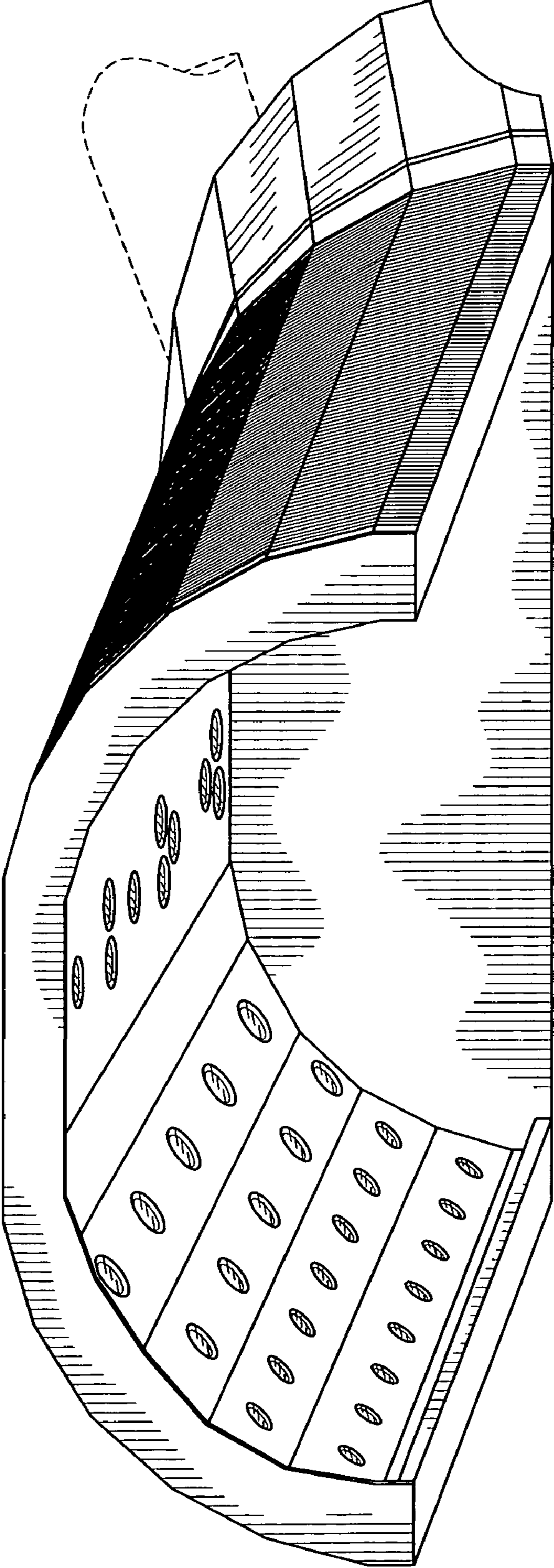


FIG. 8