



US00D645599S

(12) **United States Design Patent**
Chen

(10) **Patent No.:** **US D645,599 S**

(45) **Date of Patent:** **** Sep. 20, 2011**

(54) **SOLAR LAMP**

(75) Inventor: **Chi Gon Chen**, Guang Zhou (CN)

(73) Assignee: **International Development LLC**,
Roanoke, TX (US)

(**) Term: **14 Years**

(21) Appl. No.: **29/385,450**

(22) Filed: **Feb. 14, 2011**

(51) **LOC (9) Cl.** **26-05**

(52) **U.S. Cl.** **D26/67; D26/68**

(58) **Field of Classification Search** D26/67,
D26/68, 72, 73, 82, 83, 85, 87, 89, 92, 101,
D26/125, 128; 362/133, 147, 152, 153, 153.1,
362/183, 185, 431, 653

See application file for complete search history.

(56) **References Cited**

U.S. PATENT DOCUMENTS

214,483	A	*	4/1879	Bohner	362/432
D76,001	S	*	8/1928	Broch	D26/101
D349,359	S	*	8/1994	McLaughlin, II	D26/101
D365,411	S	*	12/1995	Yan	D26/125
D390,997	S	*	2/1998	Markee	D26/85
D425,650	S	*	5/2000	Salcedo Ramos	D26/101
D629,137	S	*	12/2010	Chen	D26/68

2008/0130273 A1* 6/2008 Norton et al. 362/122

* cited by examiner

Primary Examiner — Clare E Heflin

(74) *Attorney, Agent, or Firm* — David W. Carstens;
Carstens & Cahoon, LLP

(57) **CLAIM**

The ornamental design for a solar lamp, as shown and described.

DESCRIPTION

FIG. 1 is a perspective view of the solar lamp of the present invention, with a stake showing in phantom;

FIG. 2 is a left side elevation view thereof, with a stake showing in phantom;

FIG. 3 is a right side elevation view thereof, with a stake showing in phantom;

FIG. 4 is a front elevation view thereof, with a stake showing in phantom;

FIG. 5 is a rear elevation view thereof, with a stake showing in phantom;

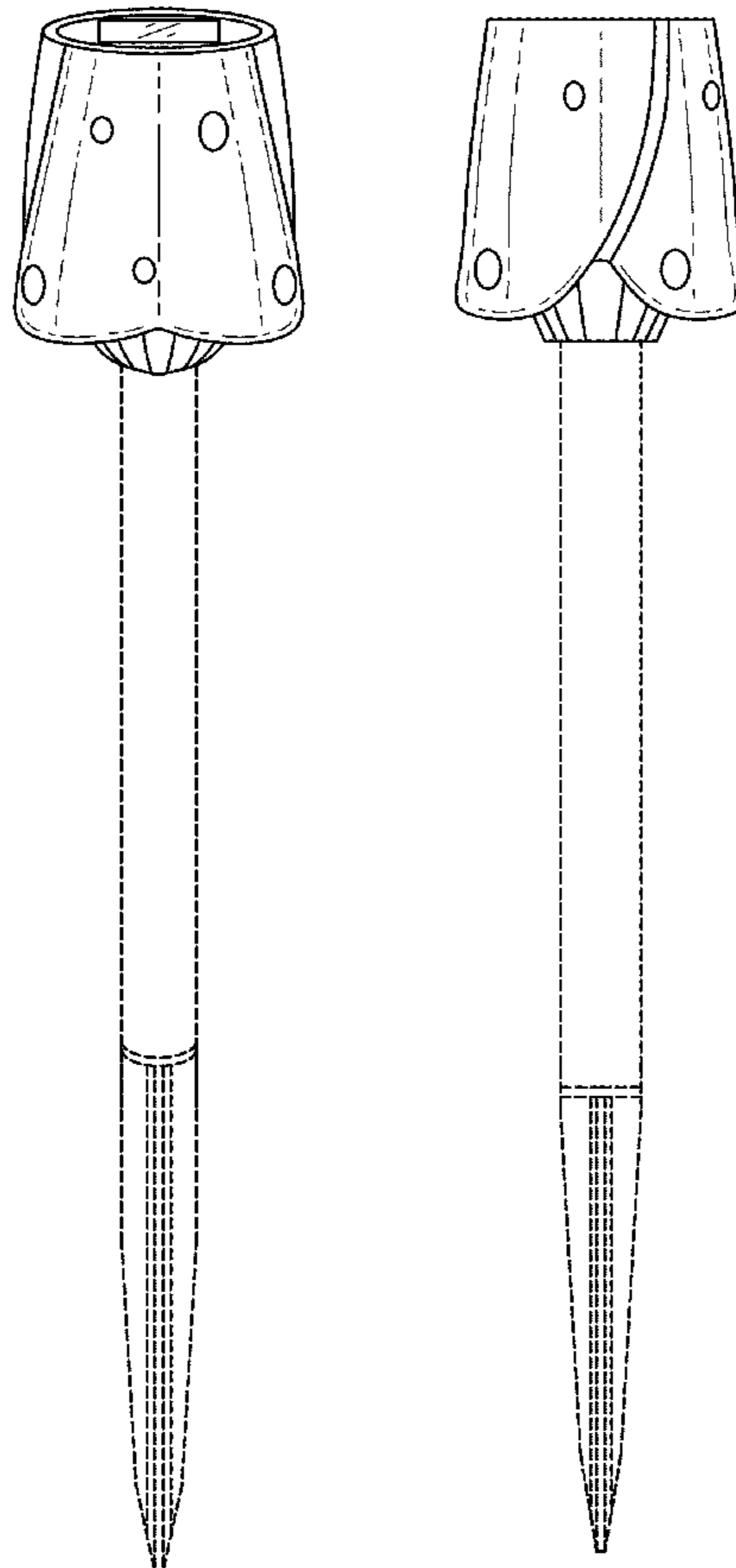
FIG. 6 is a top plan view thereof;

FIG. 7 is a bottom plan view thereof; and,

FIG. 8 is a bottom plan view thereof, with a stake showing in phantom.

The broken lines are shown in the views for illustrative purposes only and form no part of the claimed design.

1 Claim, 4 Drawing Sheets



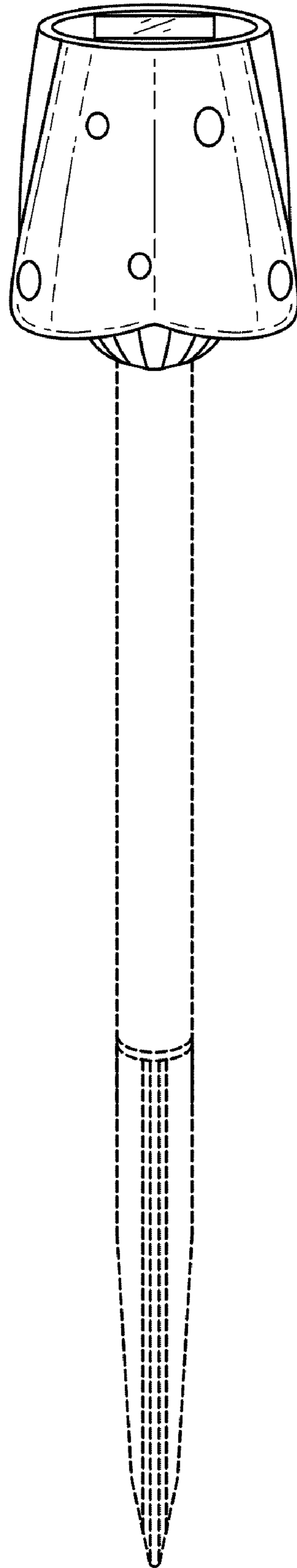


FIG. 1

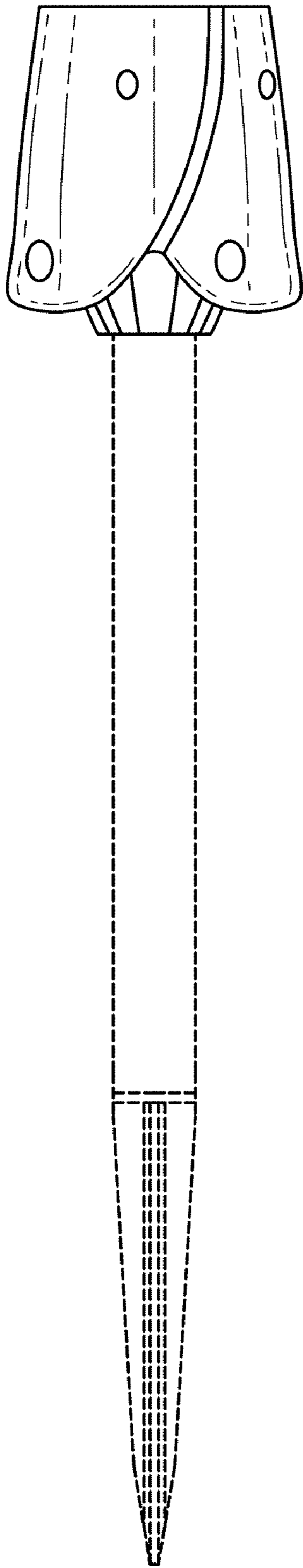


FIG. 2

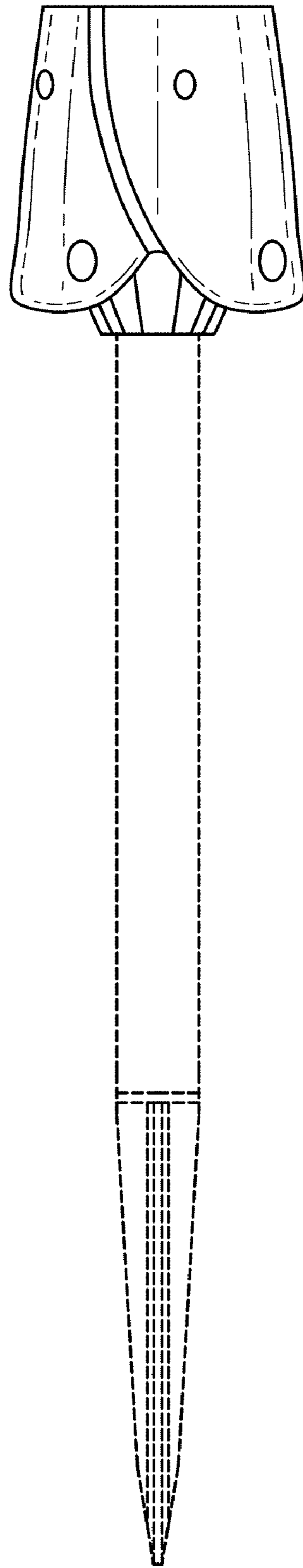


FIG. 3

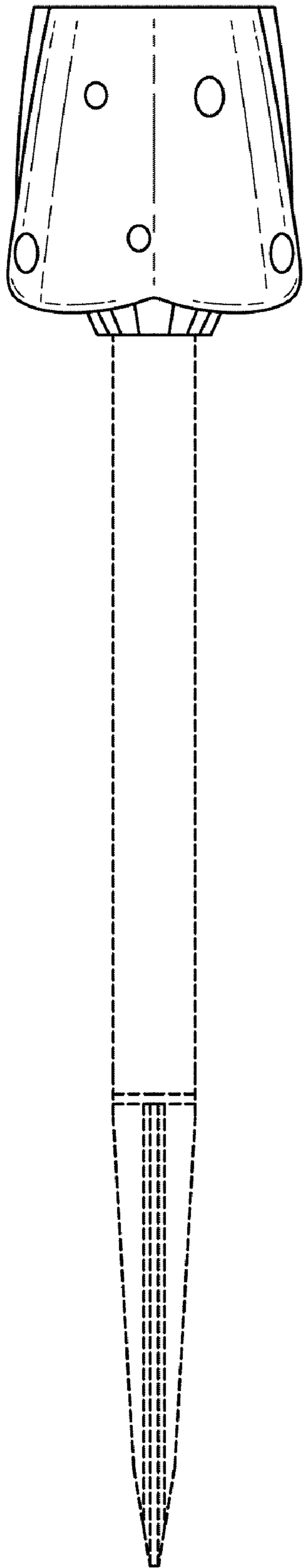


FIG. 4

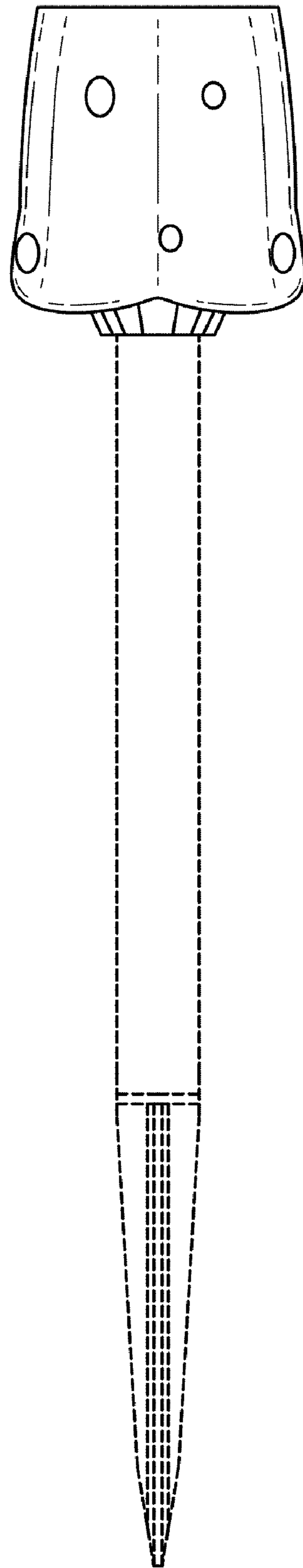


FIG. 5

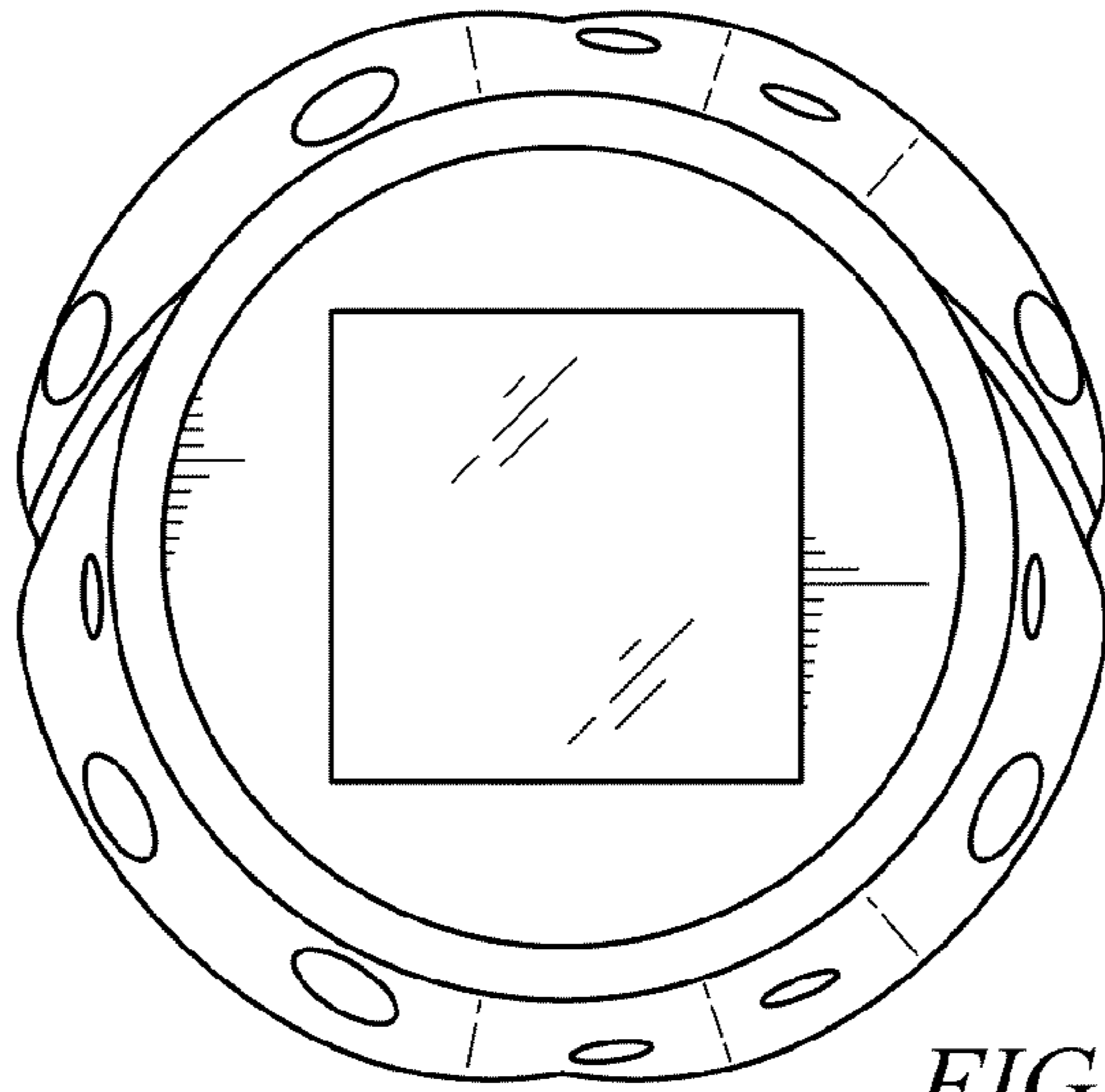


FIG. 6

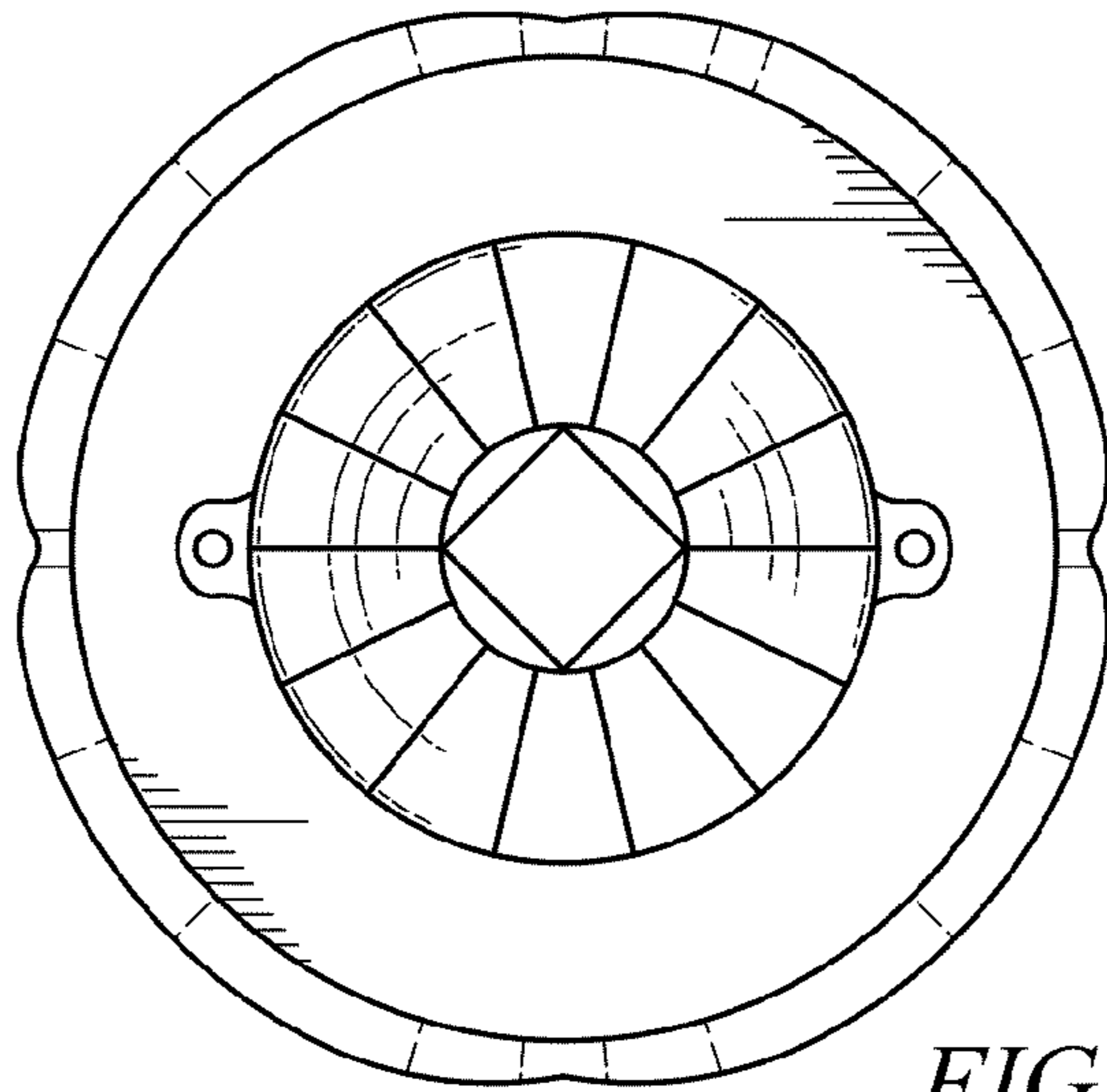


FIG. 7

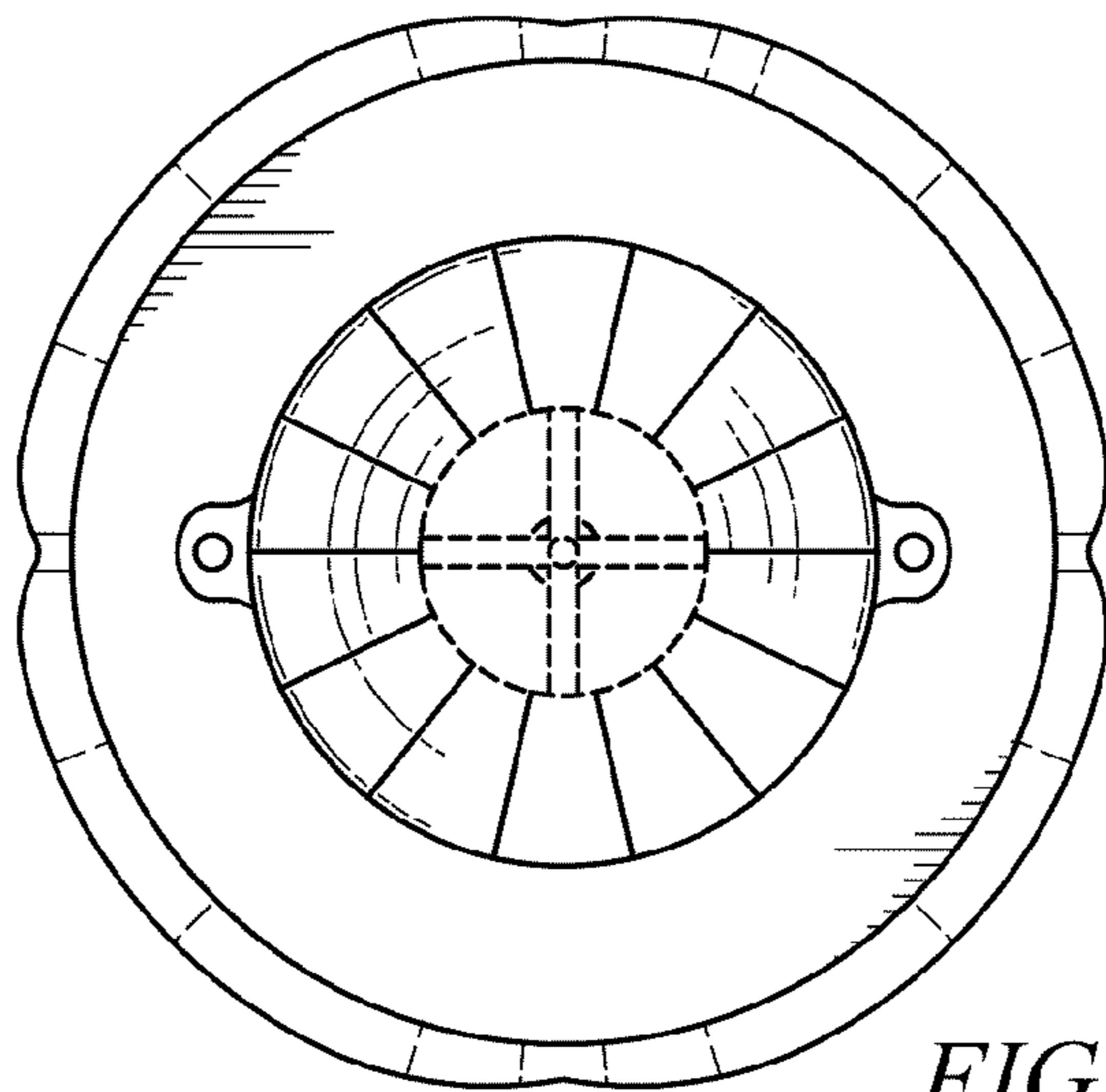


FIG. 8