



US00D645597S

(12) **United States Design Patent**
Sabernig

(10) **Patent No.:** **US D645,597 S**

(45) **Date of Patent:** **** Sep. 20, 2011**

(54) **LIGHT FIXTURE**

(75) Inventor: **Robert Sabernig**, Munster (AT)

(73) Assignee: **EGLO Leuchten GmbH**, Innsbruck (AT)

(**) Term: **14 Years**

(21) Appl. No.: **29/381,715**

(22) Filed: **Dec. 22, 2010**

(51) **LOC (9) Cl.** **26-05**

(52) **U.S. Cl.** **D26/65**

(58) **Field of Classification Search** D26/60-66,
D26/72, 80-90; 362/145, 147, 404, 418,
362/419, 427, 432, 449, 405-408, 431
See application file for complete search history.

(56) **References Cited**

U.S. PATENT DOCUMENTS

D542,456 S *	5/2007	Swanson	D26/65
7,210,811 B1 *	5/2007	Swanson	362/147
D563,580 S *	3/2008	Prazoff	D26/61
D590,980 S *	4/2009	Sabernig	D26/63
D590,981 S *	4/2009	Sabernig	D26/63
D611,636 S *	3/2010	Sabernig	D26/63
D620,166 S *	7/2010	Sabernig	D26/63
D620,167 S *	7/2010	Sabernig	D26/63
D620,168 S *	7/2010	Sabernig	D26/63

* cited by examiner

Primary Examiner — Susan M Lee

Assistant Examiner — Linda Brooks

(74) *Attorney, Agent, or Firm* — Baker & McKenzie LLP

(57) **CLAIM**

The ornamental design for a light fixture, as shown and described.

DESCRIPTION

FIG. 1 is a perspective view of a light fixture in accordance with my design;

FIG. 2 is a side elevation view of the light fixture in accordance with my design, the opposite view being a mirror image of that shown;

FIG. 3 is a top plan view of the light fixture in accordance with my design;

FIG. 4 is a bottom plan view of the light fixture in accordance with my design; and,

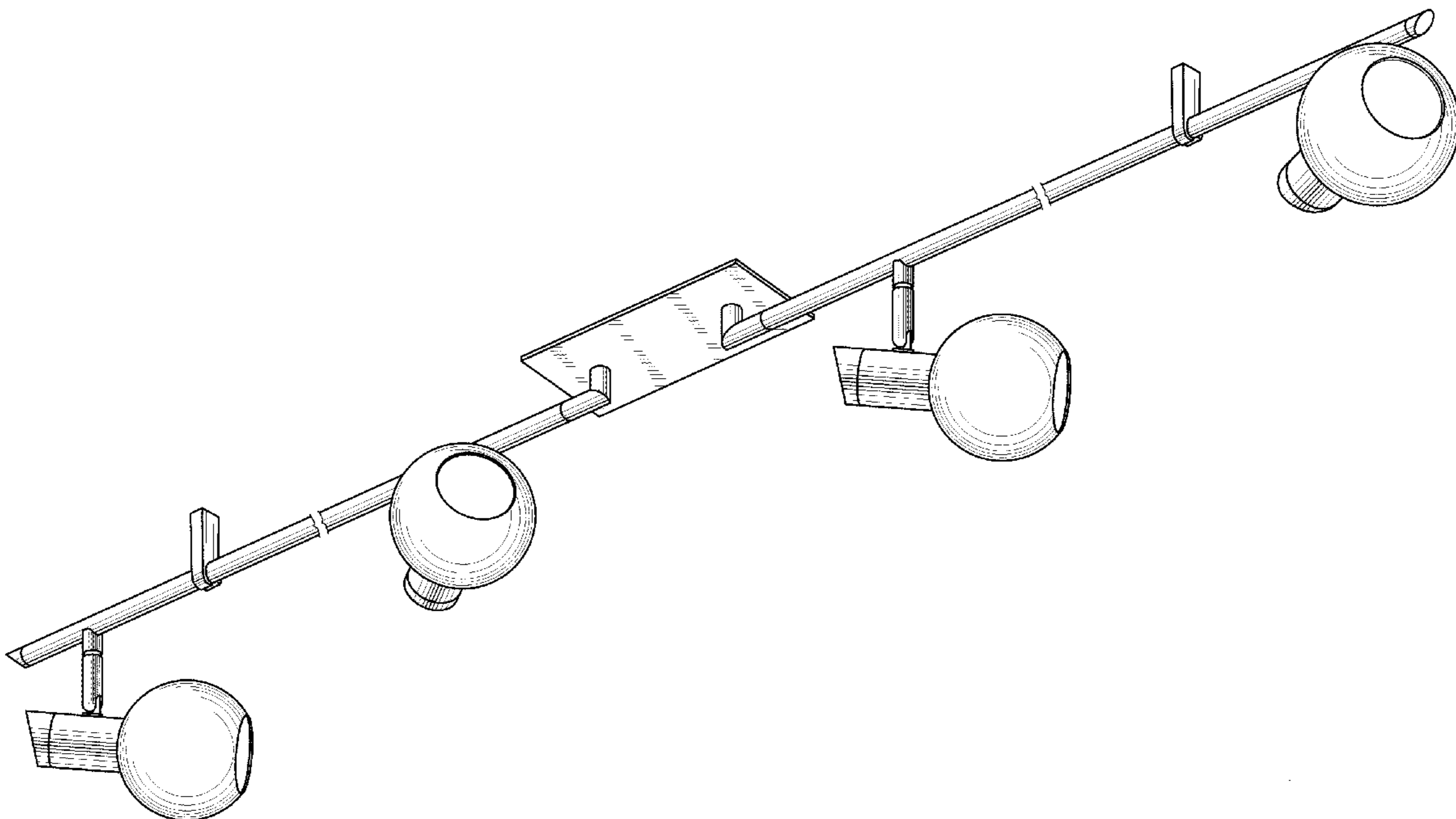
FIG. 5 is a front elevation view of the light fixture in accordance with my design, the opposite view being a mirror image of that shown.

Each lamp and supporting arm in FIGS. 1-5 is rotatable and adjustable about its fixed position.

The portions of the light fixture shown broken away in FIGS. 1, 3, 4 and 5 are to depict non-specified length.

The broken-line disclosure of elements is understood to represent portions of the article in which the design is embodied, but which form no part of the claimed design.

1 Claim, 2 Drawing Sheets



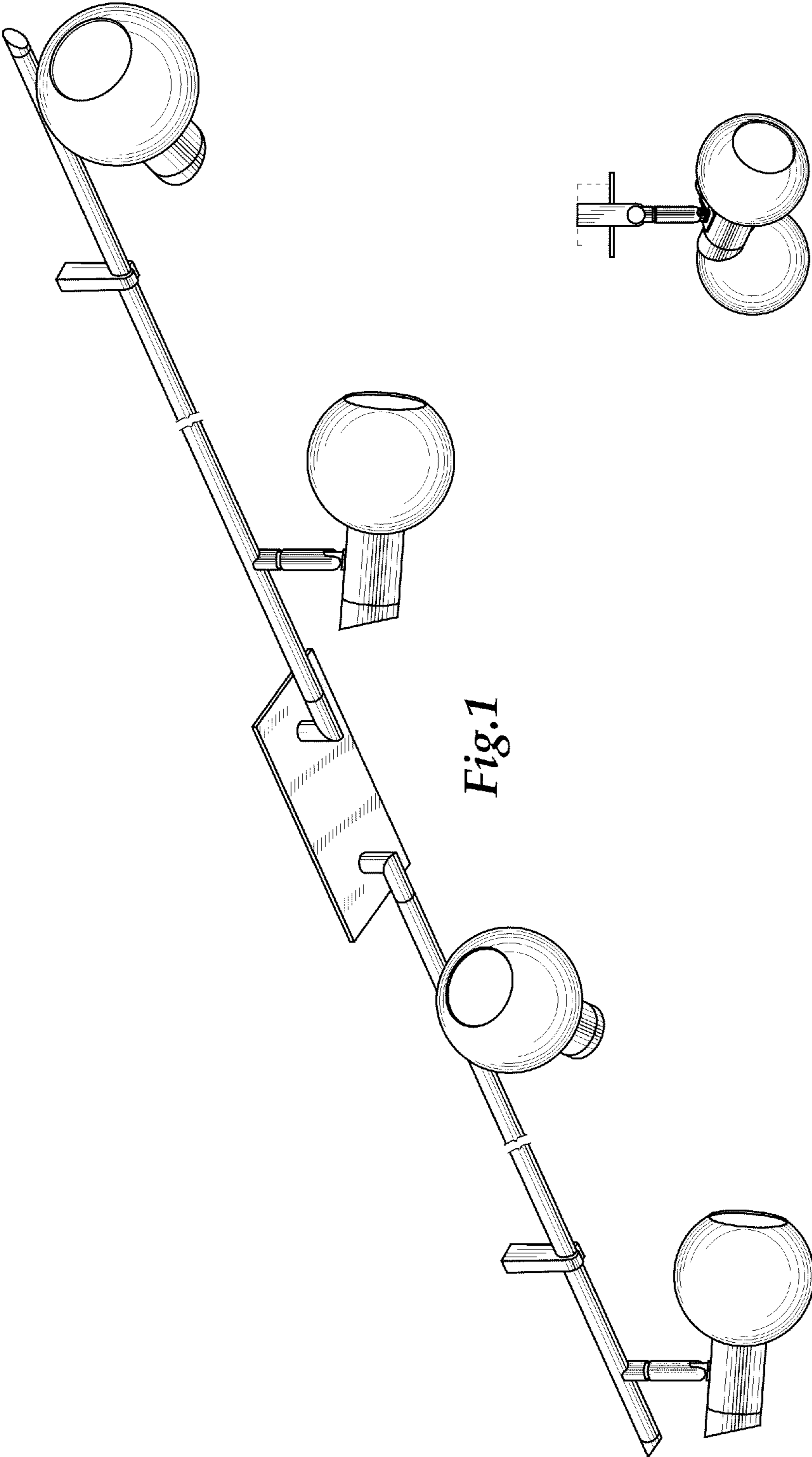


Fig.1

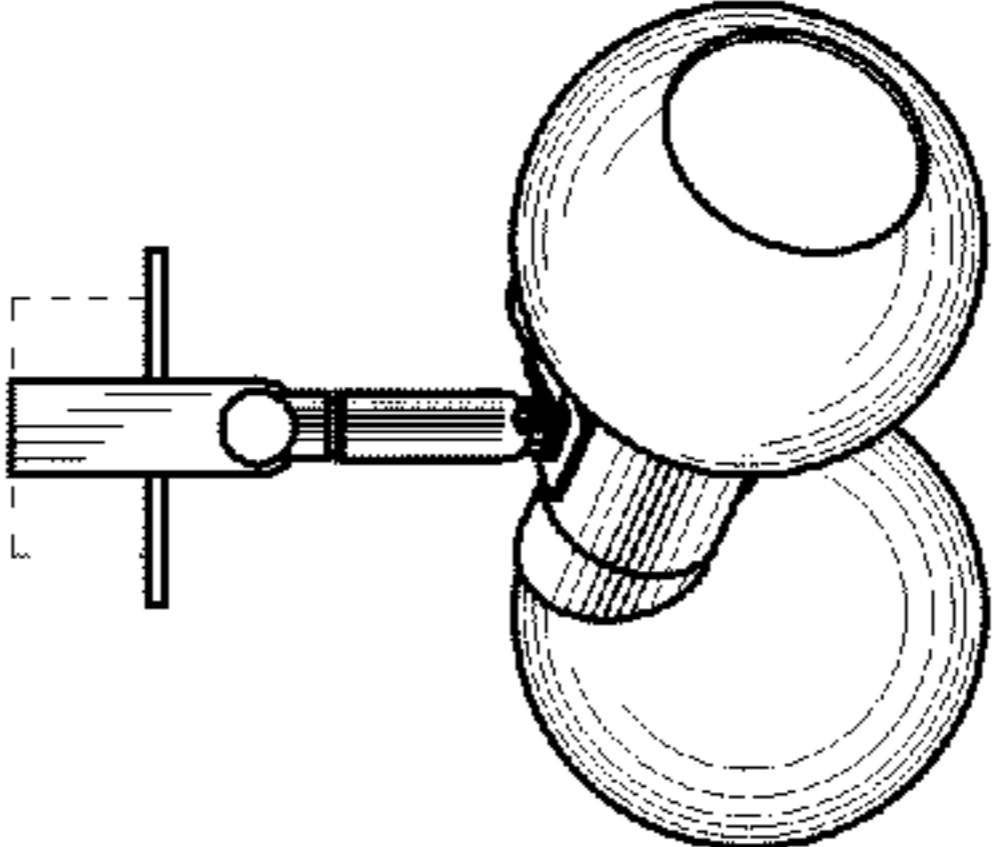


Fig.2

