



US00D645596S

(12) **United States Design Patent**  
**Yamada**

(10) **Patent No.:** **US D645,596 S**

(45) **Date of Patent:** **\*\* Sep. 20, 2011**

(54) **SPOTLIGHT**

(75) Inventor: **Hirokazu Yamada**, Kanagawa (JP)

(73) Assignees: **Toshiba Lighting & Technology Corporation**, Kanagawa (JP);  
**Kabushiki Kaisha Toshiba**, Tokyo (JP)

(\*\*) Term: **14 Years**

(21) Appl. No.: **29/384,108**

(22) Filed: **Jan. 26, 2011**

(30) **Foreign Application Priority Data**

Jul. 29, 2010 (JP) ..... 2010-018463

(51) **LOC (9) Cl.** ..... **26-05**

(52) **U.S. Cl.** ..... **D26/63**

(58) **Field of Classification Search** ..... D26/61-66,  
D26/72, 85, 87, 88, 89, 92, 118, 83, 84; 362/311.01,  
362/351, 145, 147, 148, 257, 267, 269, 270,  
362/277, 278, 282, 285, 287, 319, 432, 404,  
362/418, 640, 647, 648, 653, 311.13, 806

See application file for complete search history.

(56) **References Cited**

U.S. PATENT DOCUMENTS

D574,989 S \* 8/2008 Rodzwell ..... D26/63  
D583,981 S \* 12/2008 Meyer et al. .... D26/89

D583,982 S \* 12/2008 Meyer et al. .... D26/89  
D585,588 S \* 1/2009 Alexander et al. .... D26/118  
D640,815 S \* 6/2011 Yamada et al. .... D26/63

FOREIGN PATENT DOCUMENTS

EM 000335930-0039 6/2005  
EM 000335930-0045 6/2005  
EM 000521091-0012 6/2006  
EM 000894316-0012 4/2008  
EM 001664038-0001 2/2010

\* cited by examiner

*Primary Examiner* — Susan M Lee

*Assistant Examiner* — Linda G. Brooks

(74) *Attorney, Agent, or Firm* — J.C. Patents

(57) **CLAIM**

The ornamental design for a spotlight, as shown and described.

**DESCRIPTION**

FIG. 1 is a perspective view of a spotlight showing my new design;

FIG. 2 is a front view thereof, the rear view being a mirror image of the front view;

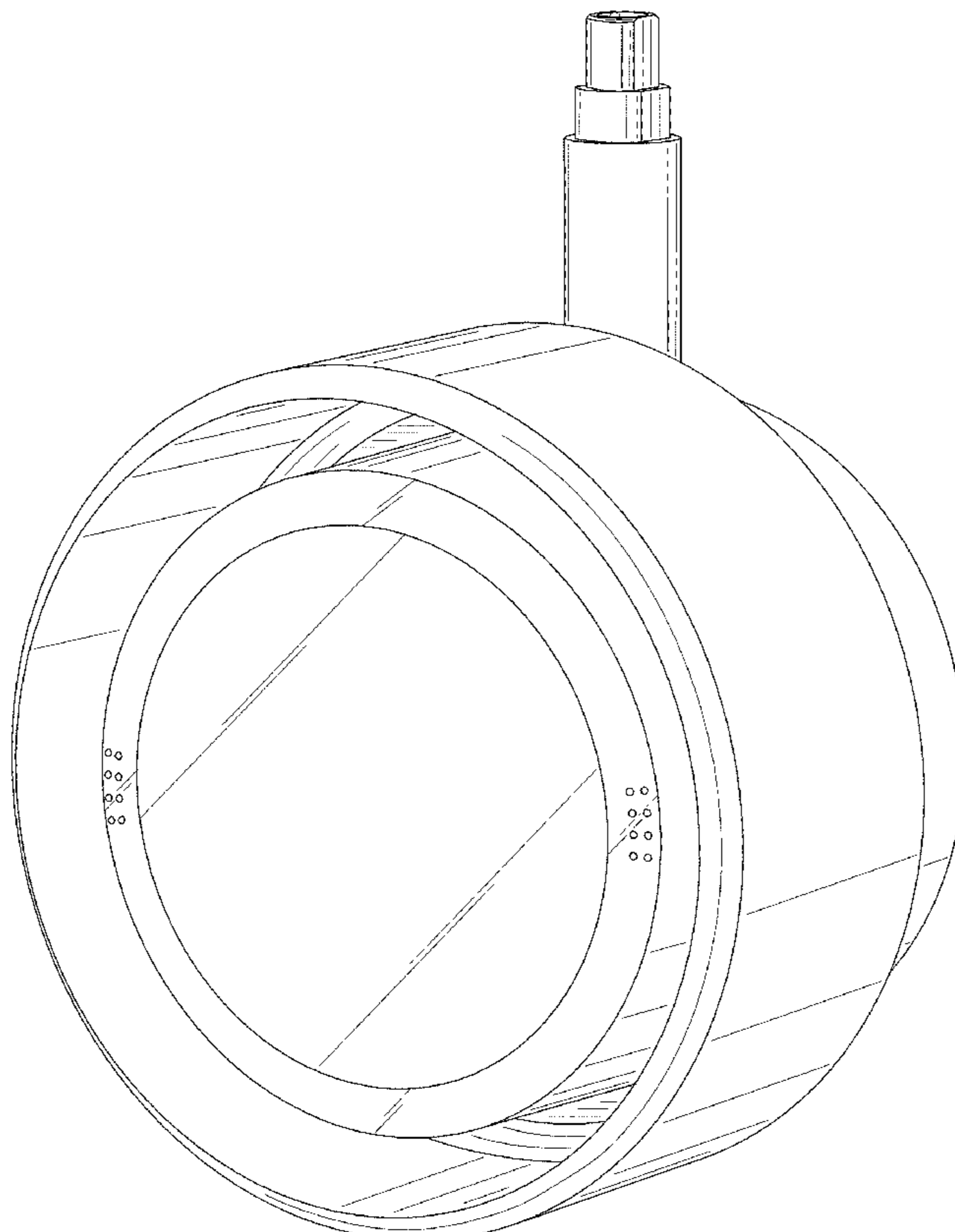
FIG. 3 is a left side view thereof;

FIG. 4 is a right side view thereof;

FIG. 5 is a top view thereof; and,

FIG. 6 is a bottom view thereof.

**1 Claim, 6 Drawing Sheets**



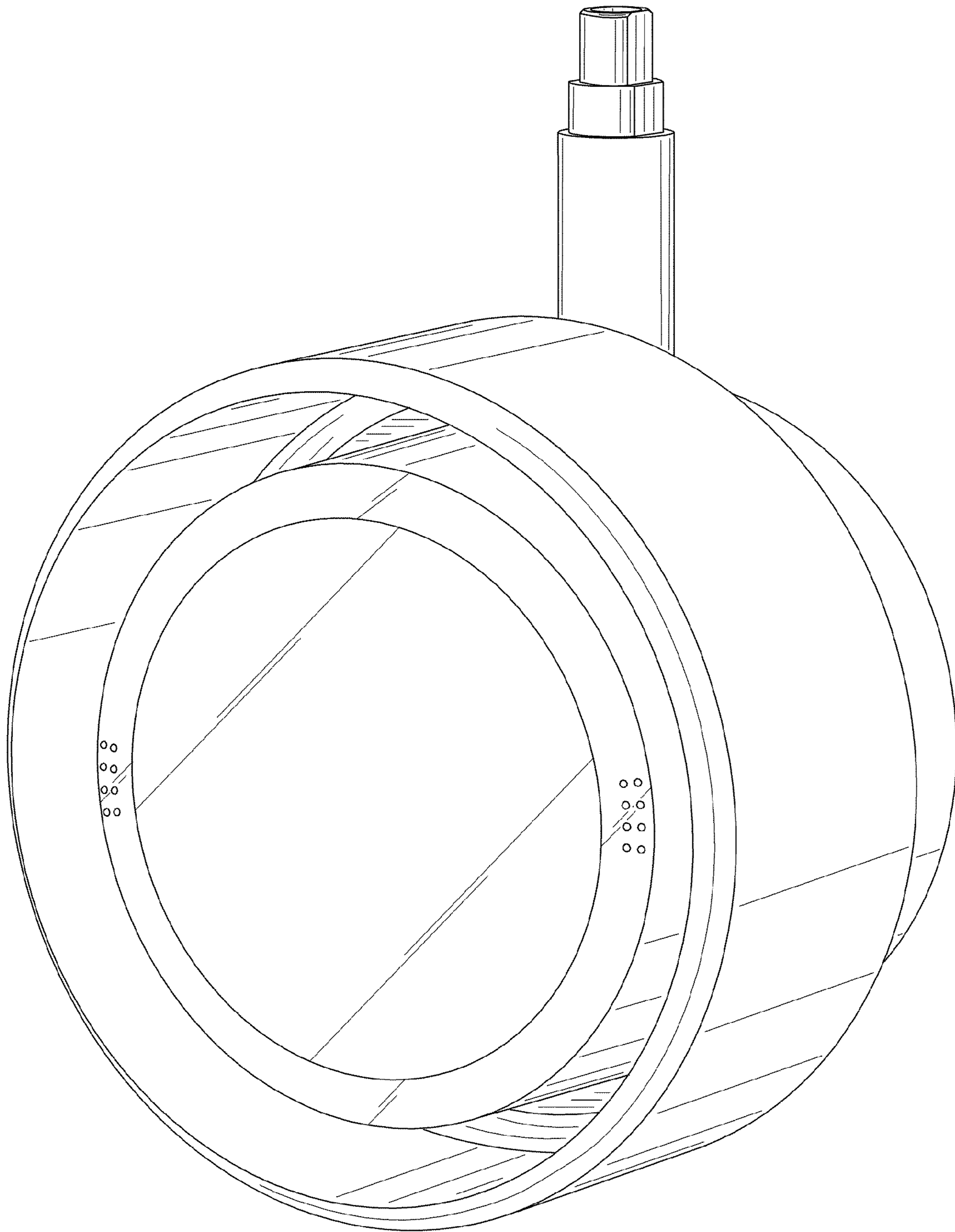


FIG. 1

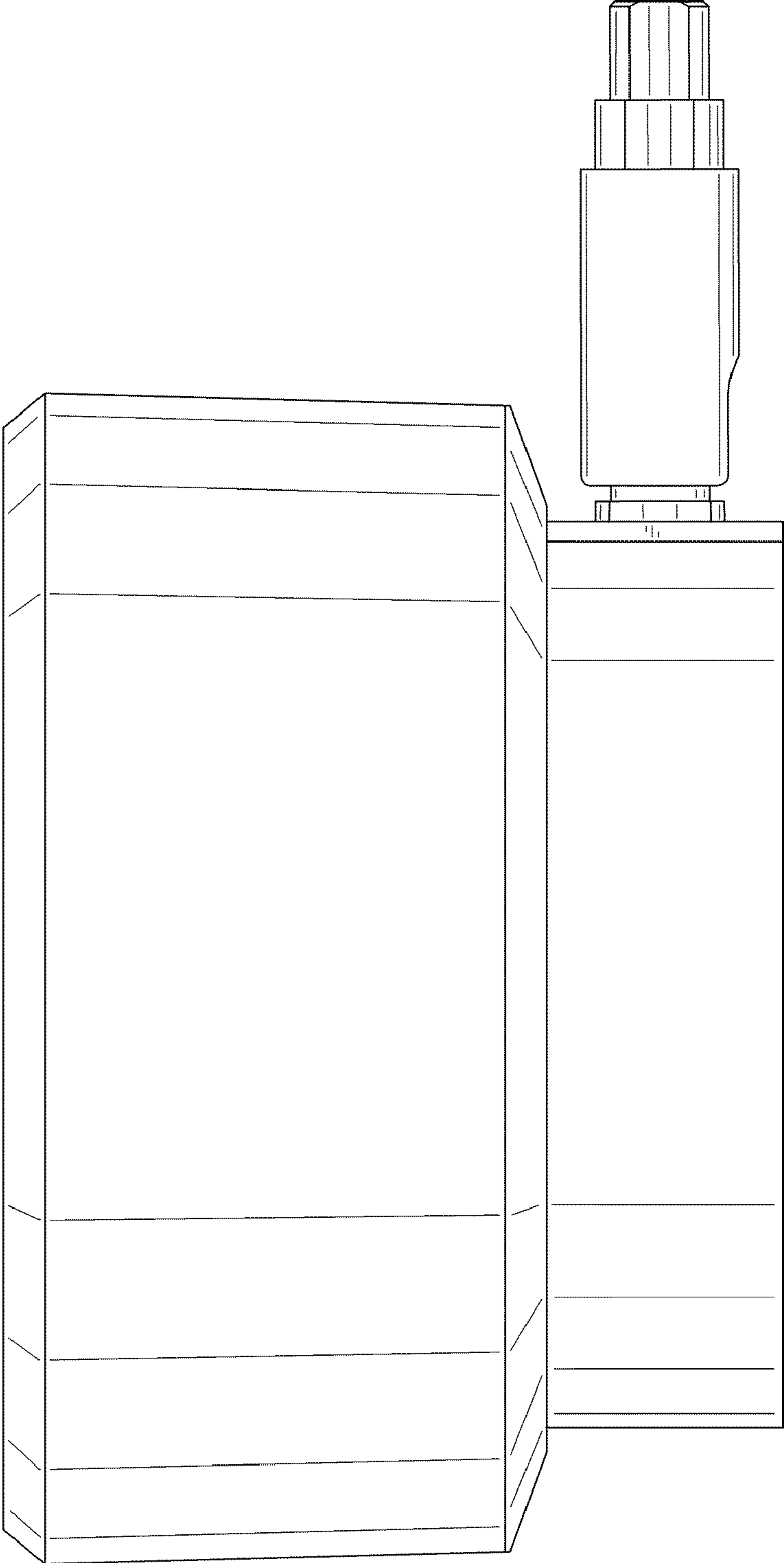


FIG. 2

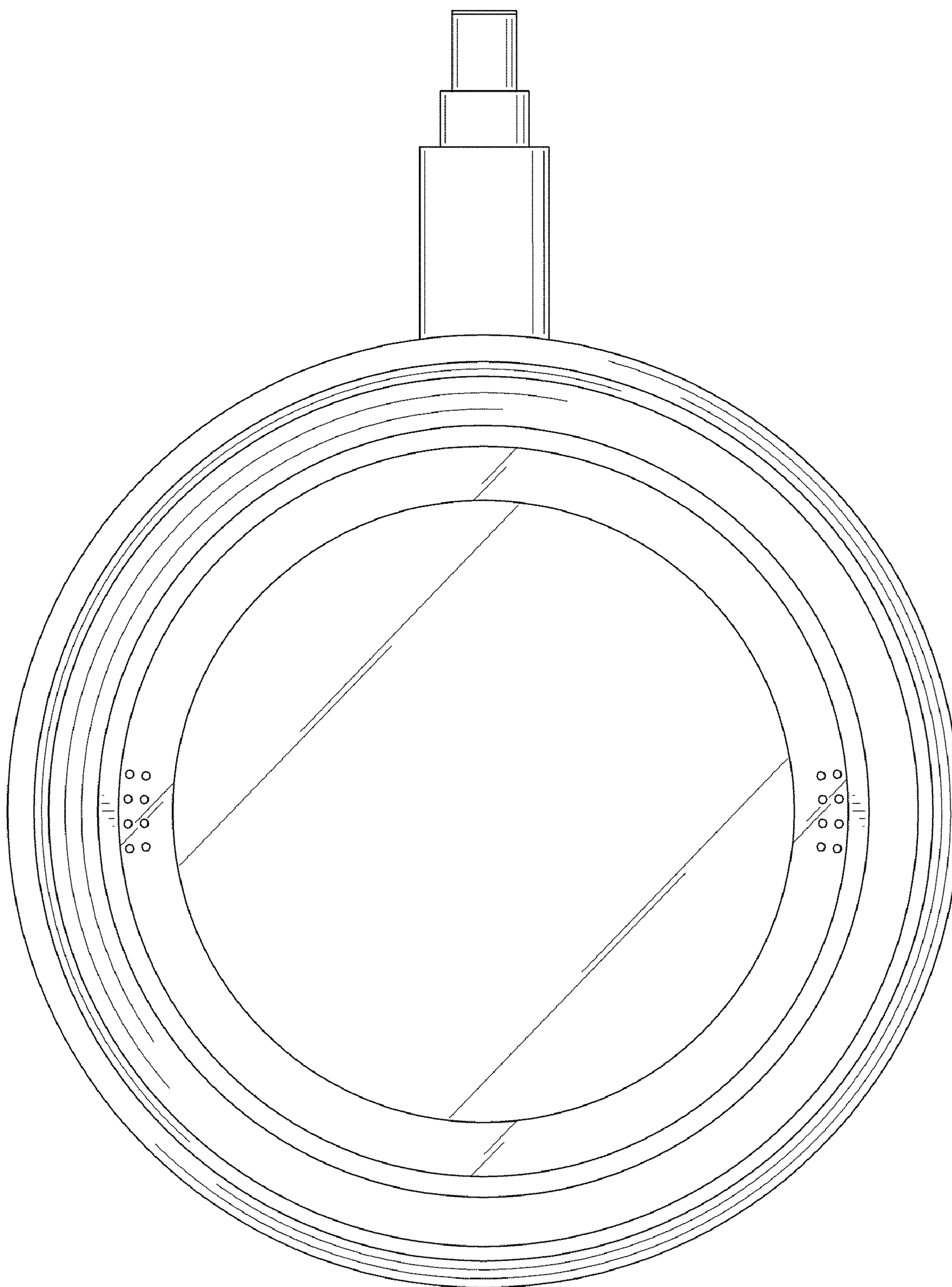


FIG. 3

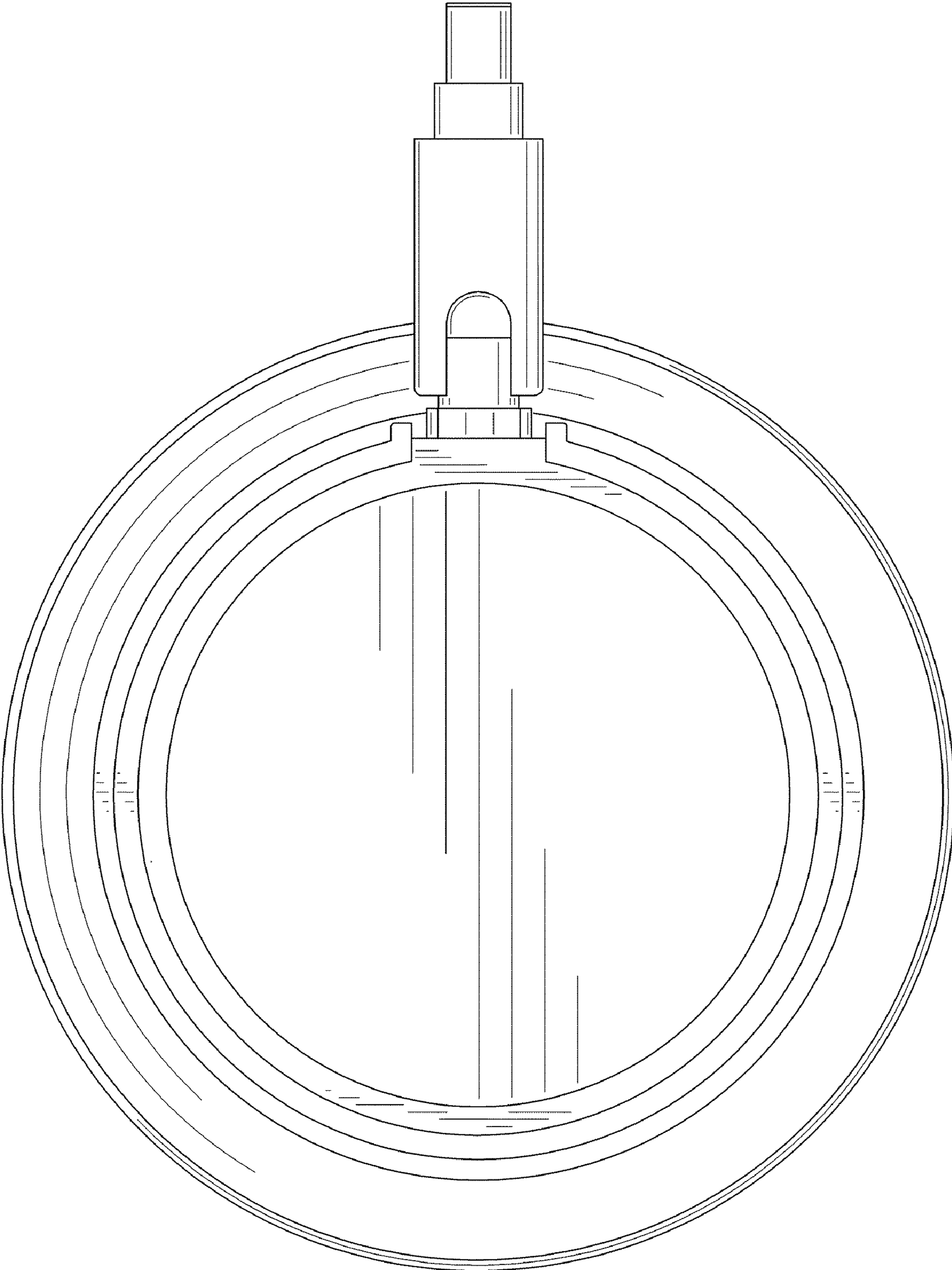


FIG. 4

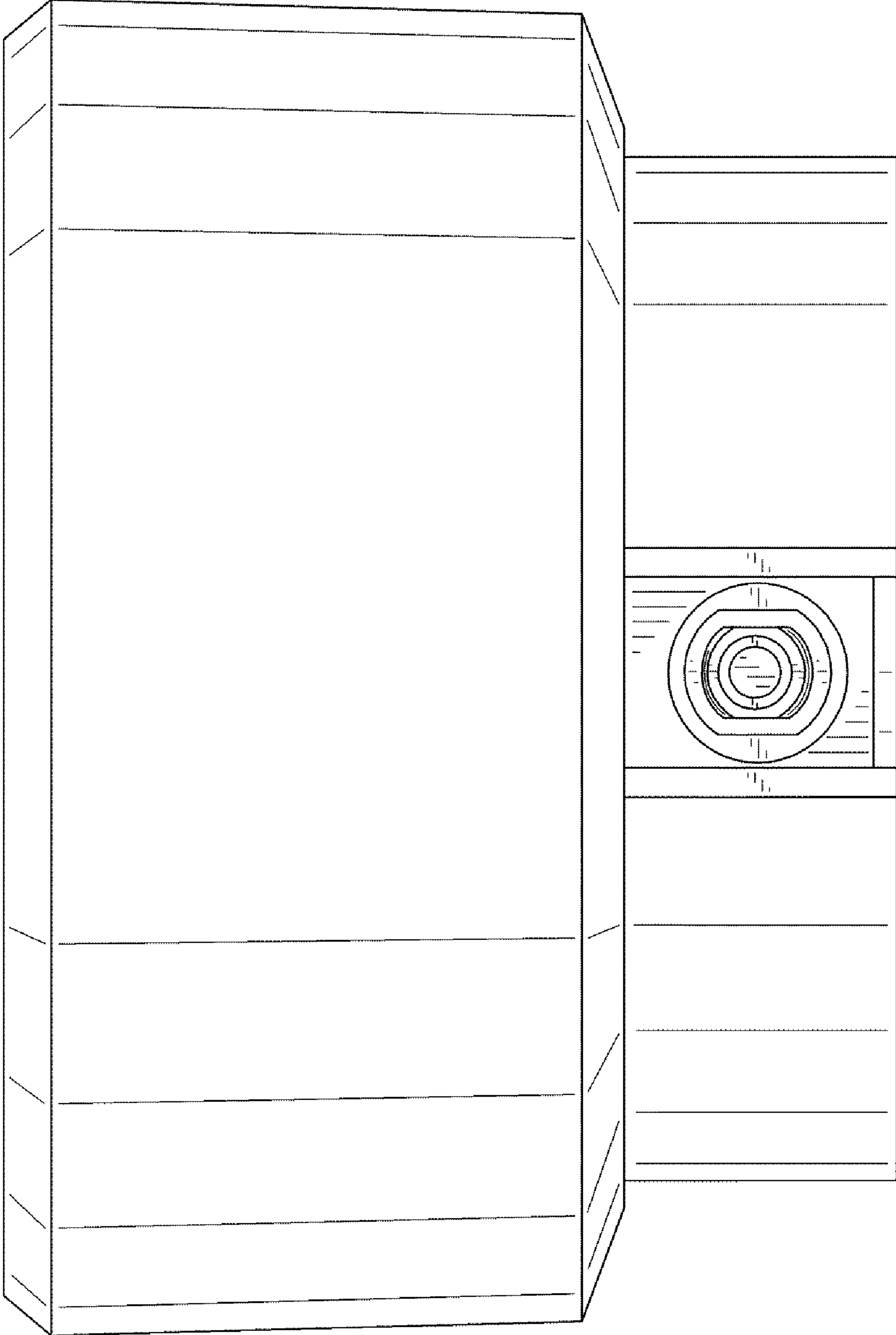


FIG. 5

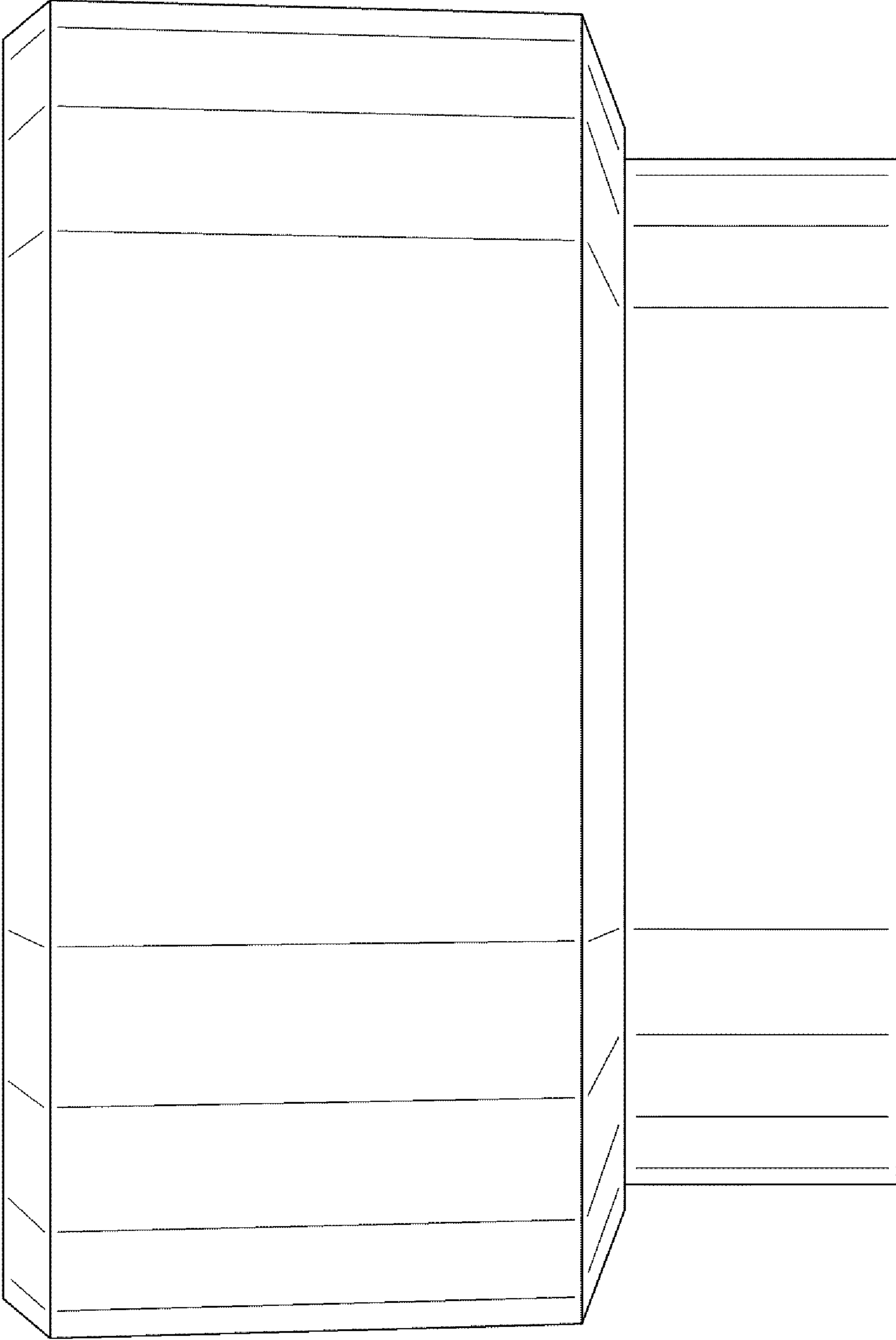


FIG. 6