



US00D645592S

(12) **United States Design Patent**  
**Brands et al.**

(10) **Patent No.:** **US D645,592 S**

(45) **Date of Patent:** **\*\* Sep. 20, 2011**

(54) **FLASHLIGHT**

(75) Inventors: **David C. Brands**, Portland, OR (US);  
**David D. Lewin**, Portland, OR (US)

(73) Assignee: **Coast Cutlery Company**, Portland, OR  
(US)

(\*\*) Term: **14 Years**

(21) Appl. No.: **29/383,425**

(22) Filed: **Jan. 18, 2011**

(51) **LOC (9) Cl.** ..... **24-02**

(52) **U.S. Cl.** ..... **D26/49**

(58) **Field of Classification Search** ..... D26/37,  
D26/46, 48, 49, 50; 362/157, 158, 183, 184,  
362/190, 194, 195, 196, 202-208

See application file for complete search history.

(56) **References Cited**

U.S. PATENT DOCUMENTS

D351,672 S *	10/1994	Tsay	.....	D26/37
D380,060 S *	6/1997	Chiang	.....	D26/37
D392,402 S *	3/1998	Chen	.....	D26/37
D421,657 S *	3/2000	Siebert	.....	D26/37
D597,235 S *	7/2009	Chang	.....	D26/49
D629,543 S *	12/2010	Deguglimo et al.	.....	D26/49
D629,544 S *	12/2010	Deguglimo et al.	.....	D26/49

\* cited by examiner

*Primary Examiner* — Ian Simmons

*Assistant Examiner* — Carissa C Fitts

(74) *Attorney, Agent, or Firm* — Schwabe, Williamson &  
Wyatt, P.C.

(57) **CLAIM**

The ornamental design for a flashlight, as shown and described.

**DESCRIPTION**

FIG. 1 is a perspective view of a flashlight showing our new design;

FIG. 2 is a side elevation view of the flashlight illustrated in FIG. 1;

FIG. 3 is a side elevation view of the flashlight illustrated in FIG. 1, turned 180 degrees from FIG. 2;

FIG. 4 is a side elevation view of the flashlight illustrated in FIG. 1, turned 90 degrees from FIGS. 2 and 3;

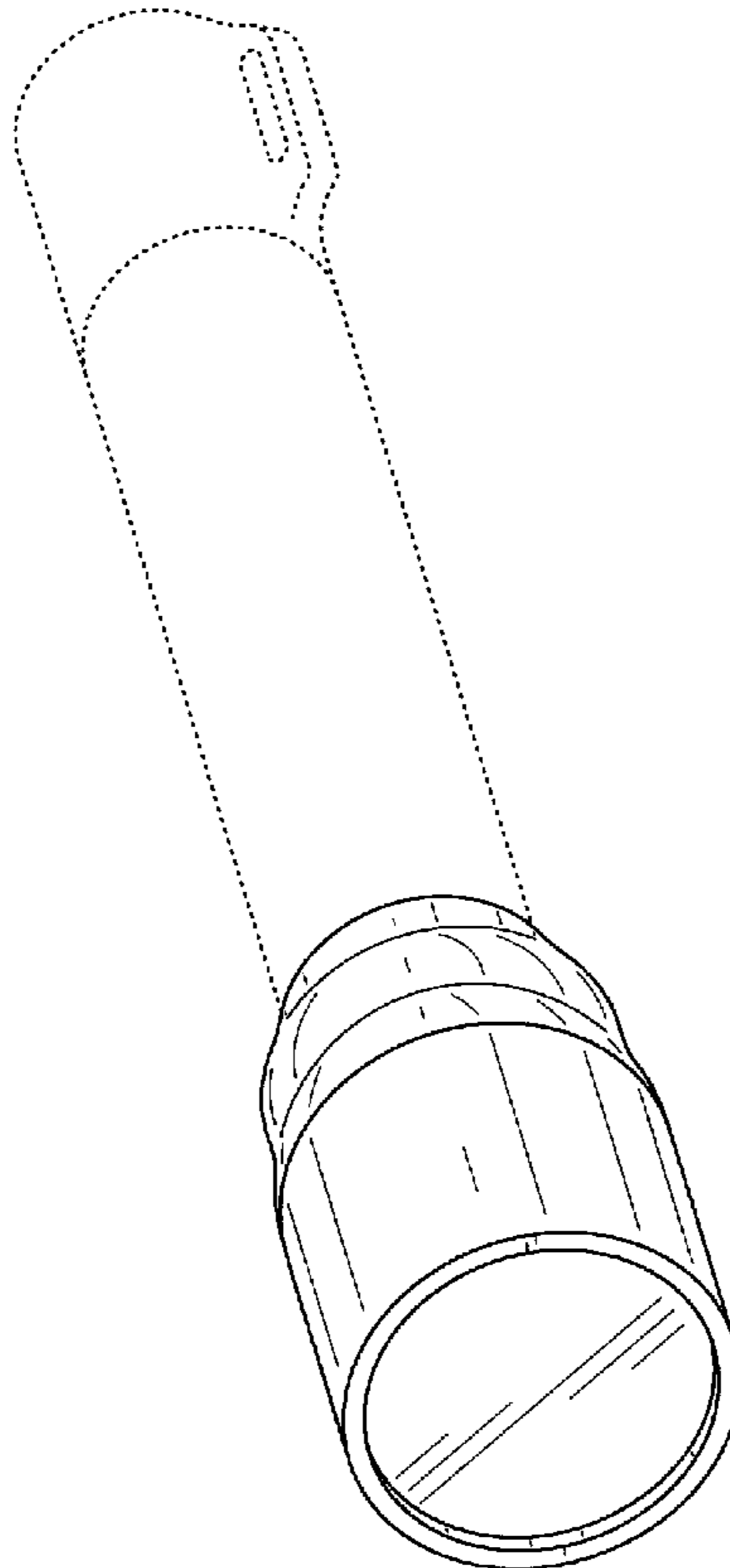
FIG. 5 is a side elevation view of the flashlight illustrated in FIG. 1, turned 180 degrees from FIG. 4;

FIG. 6 is a front elevation view of the flashlight illustrated in FIG. 1; and,

FIG. 7 is a rear elevation view of the flashlight illustrated in FIG. 1.

The broken line showing is for environmental purposes only and forms no part of the claimed design.

**1 Claim, 6 Drawing Sheets**



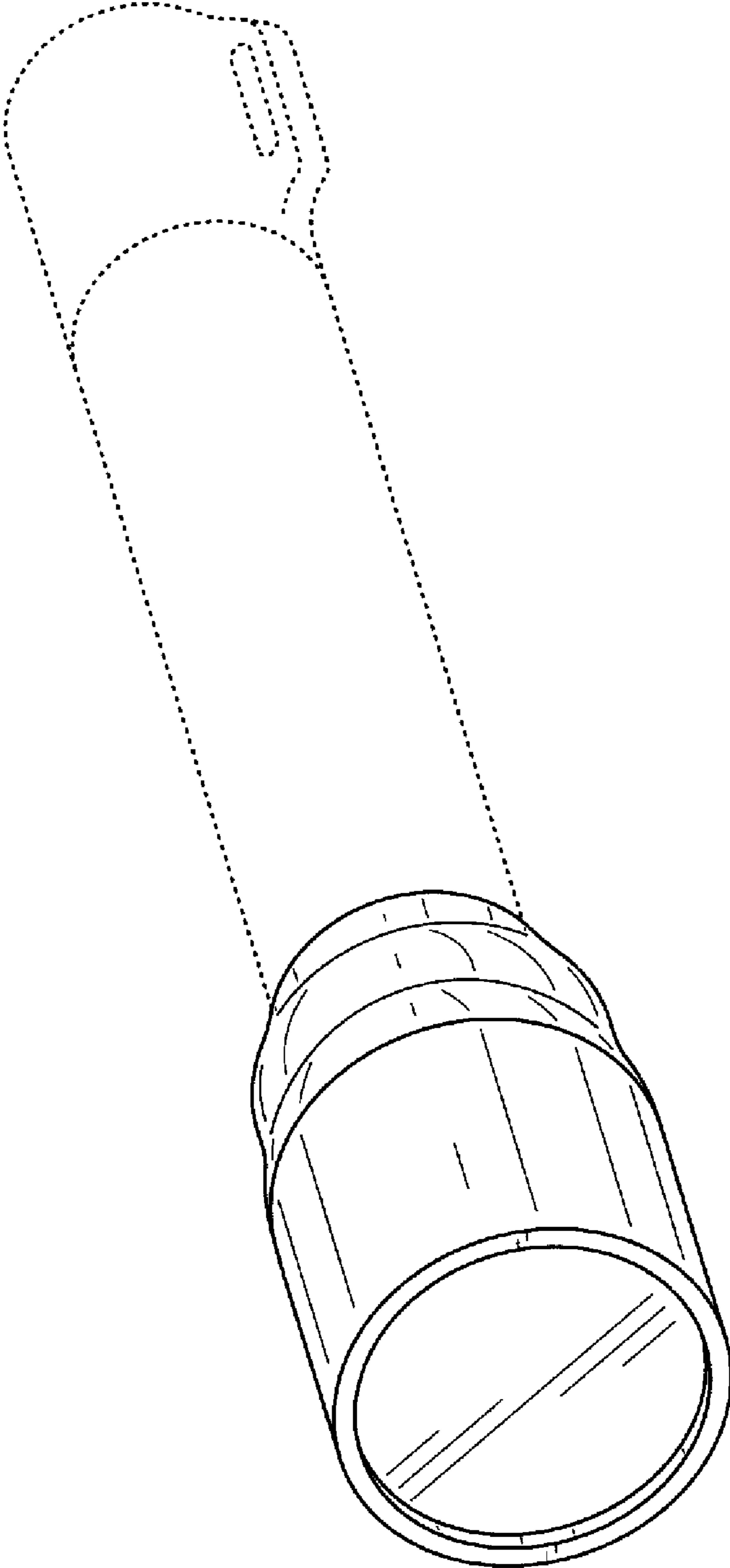


FIG. 1

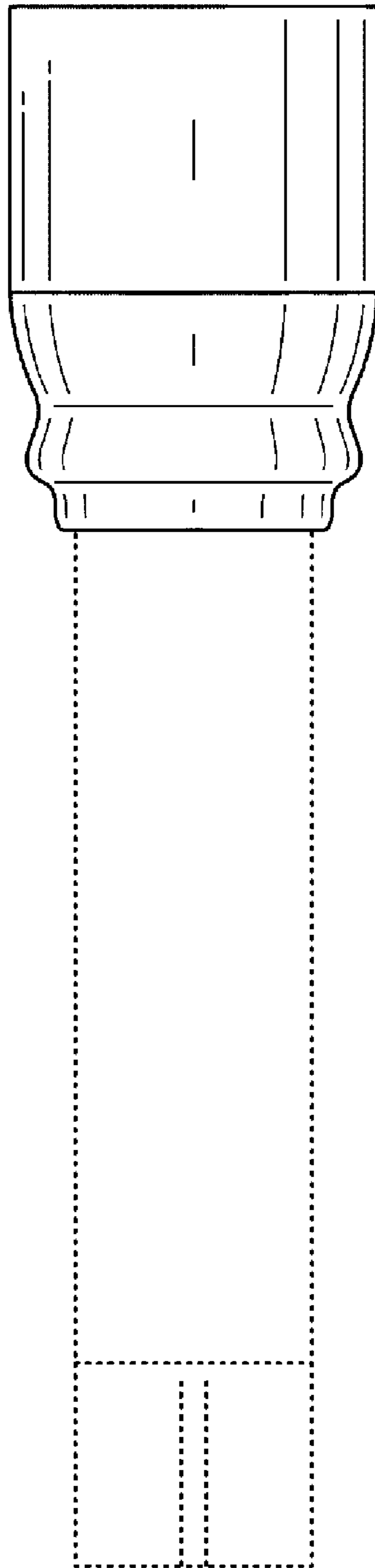


FIG. 2

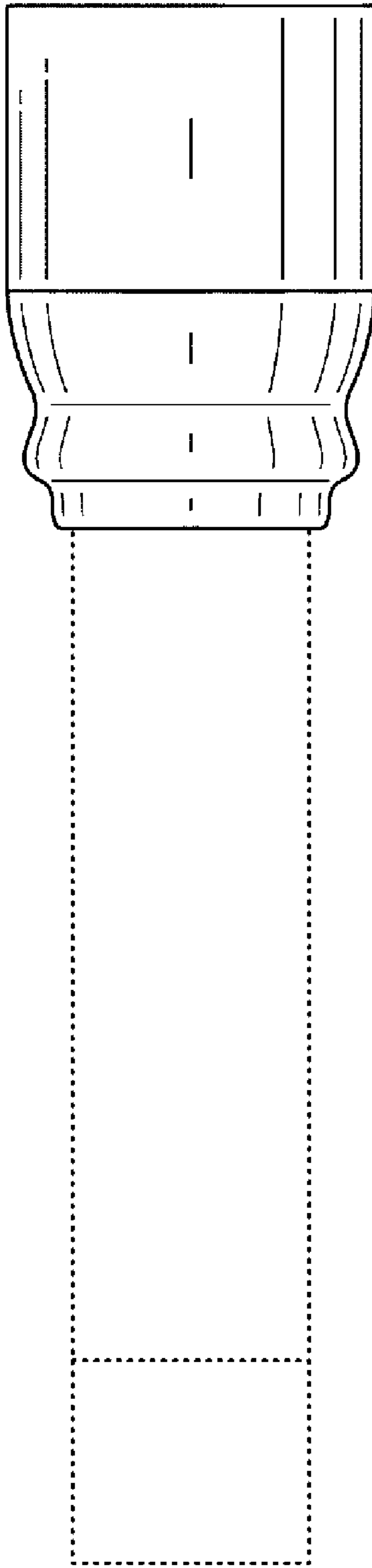


FIG. 3

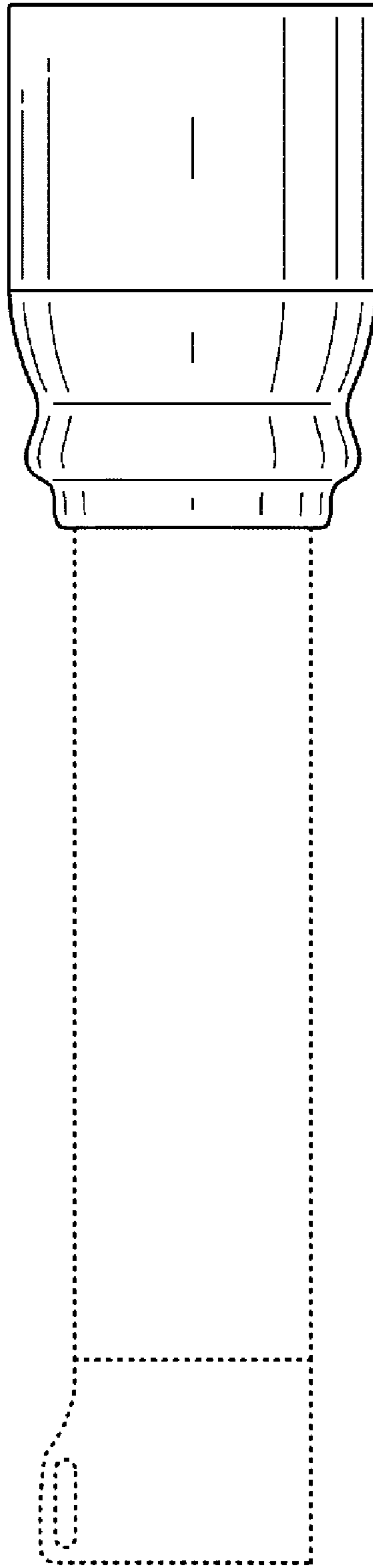


FIG. 4

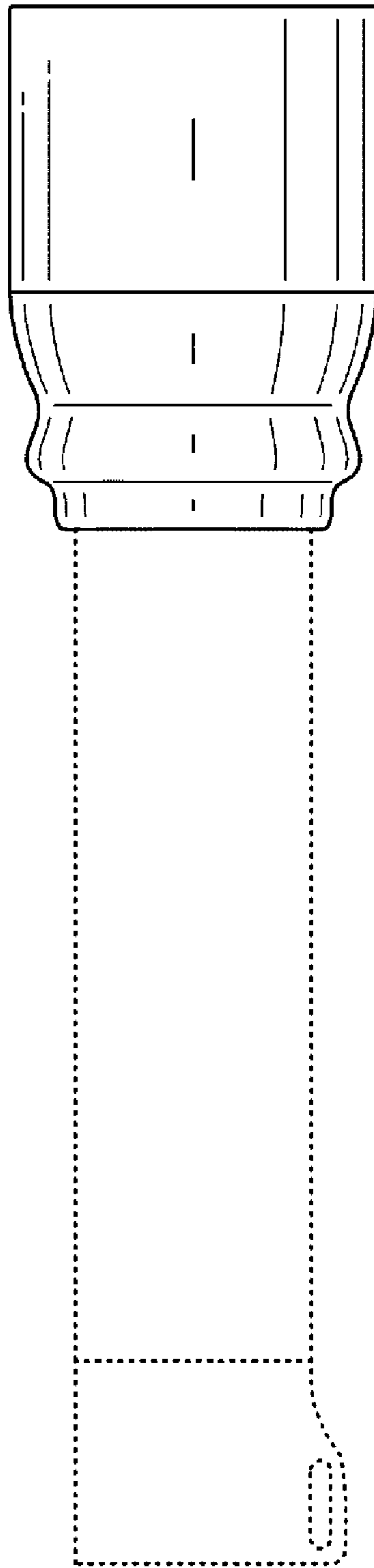


FIG. 5

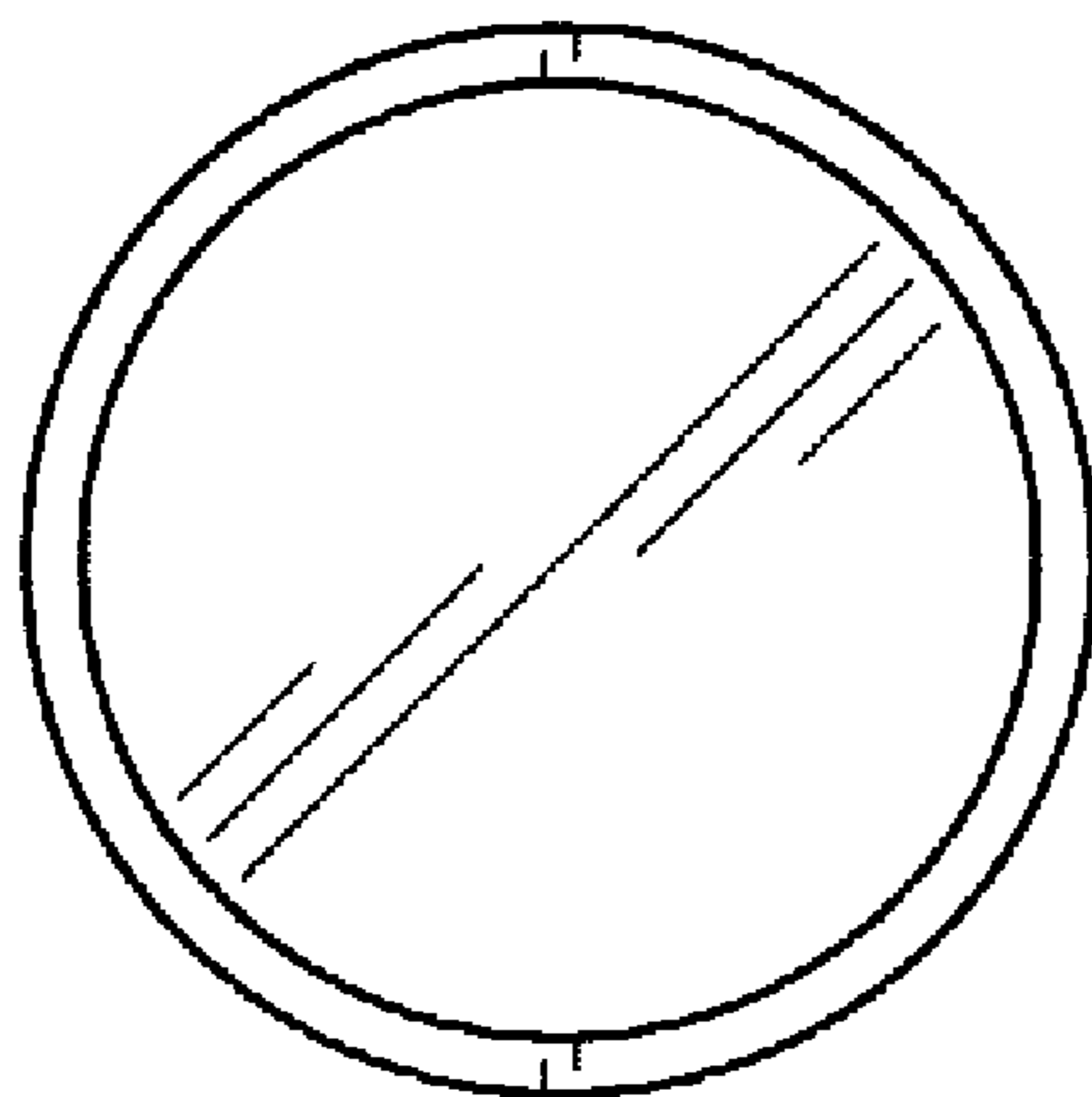


FIG. 6

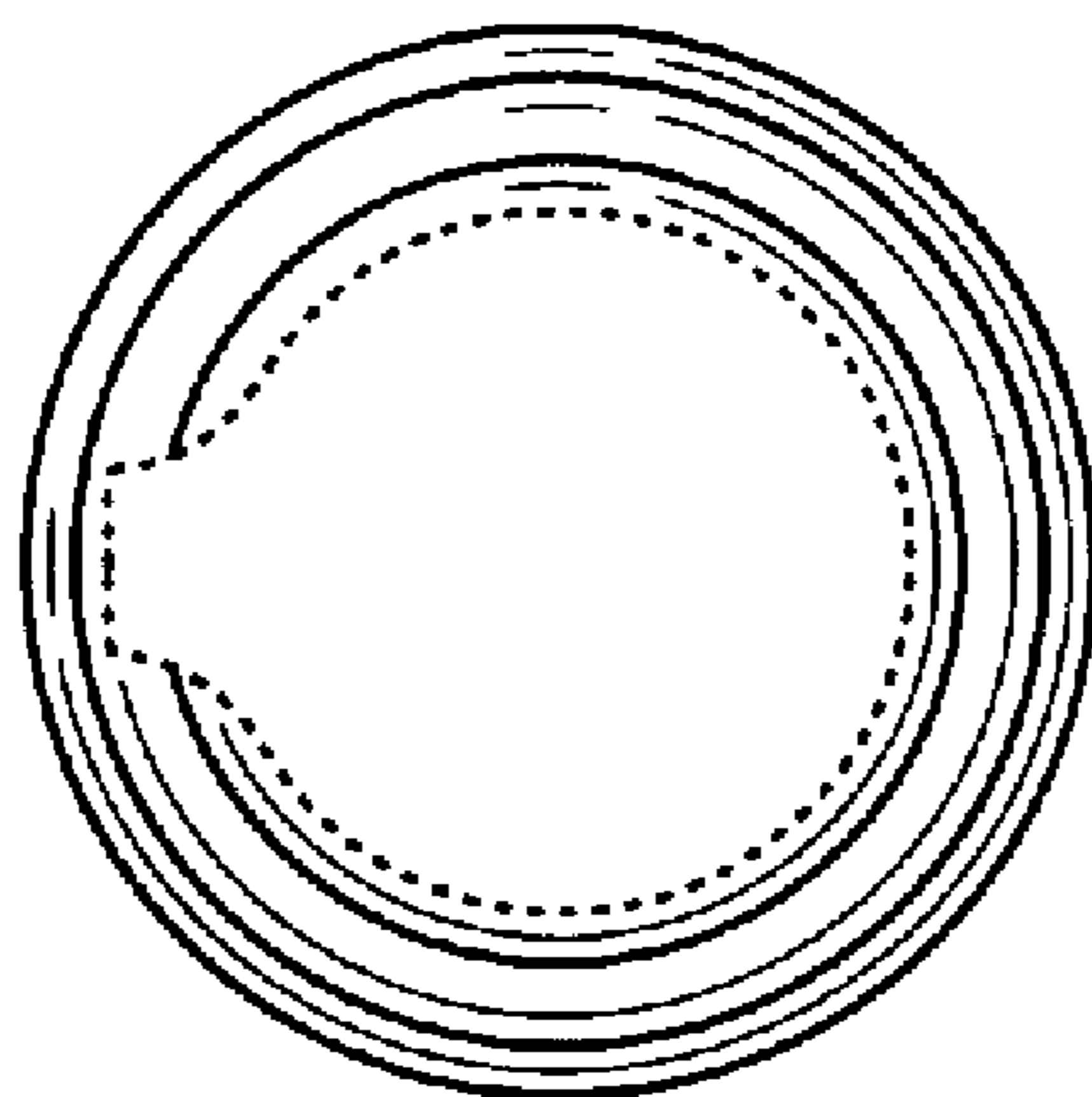


FIG. 7