



US00D645588S

(12) **United States Design Patent**
Li et al.

(10) **Patent No.:** **US D645,588 S**

(45) **Date of Patent:** **** Sep. 20, 2011**

(54) **MOBILE LAMP**

(75) Inventors: **Po-Wei Li**, Taipei (TW); **Wen-Hsiang Lin**, Taipei (TW); **Shih-Chang Hsu**, Taipei (TW); **Yuan-Yuan Lee**, Taipei (TW)

(73) Assignees: **Silitek Electric (Guangzhou) Co., Ltd.**, Guangzhou (CN); **Lite-On Technology Corp.**, Taipei (TW)

(**) Term: **14 Years**

(21) Appl. No.: **29/385,866**

(22) Filed: **Feb. 22, 2011**

(51) **LOC (9) Cl.** **26-04**

(52) **U.S. Cl.** **D26/2**

(58) **Field of Classification Search** D26/1-4;
313/313, 315, 316, 317, 318, 493; 315/52,
315/53, 56, 57, 58

See application file for complete search history.

(56) **References Cited**

U.S. PATENT DOCUMENTS

D549,360 S * 8/2007 An D26/2
D553,267 S * 10/2007 Yuen D26/2
D560,286 S * 1/2008 Maxik et al. D26/2

D566,300 S * 4/2008 Lo D26/2
D570,504 S * 6/2008 Maxik et al. D26/2
D601,278 S * 9/2009 Takahashi D26/2
D634,031 S * 3/2011 de Visser et al. D26/2
D634,452 S * 3/2011 de Visser D26/2

* cited by examiner

Primary Examiner — Marcus Jackson

(74) *Attorney, Agent, or Firm* — Rosenberg, Klein & Lee

(57) **CLAIM**

The ornamental design for mobile lamp, as shown and described.

DESCRIPTION

FIG. 1 is a top perspective view of mobile lamp showing our new design;

FIG. 2 is a front elevational view thereof;

FIG. 3 is a rear elevational view thereof;

FIG. 4 is a left side elevational view thereof;

FIG. 5 is a right side elevational view thereof;

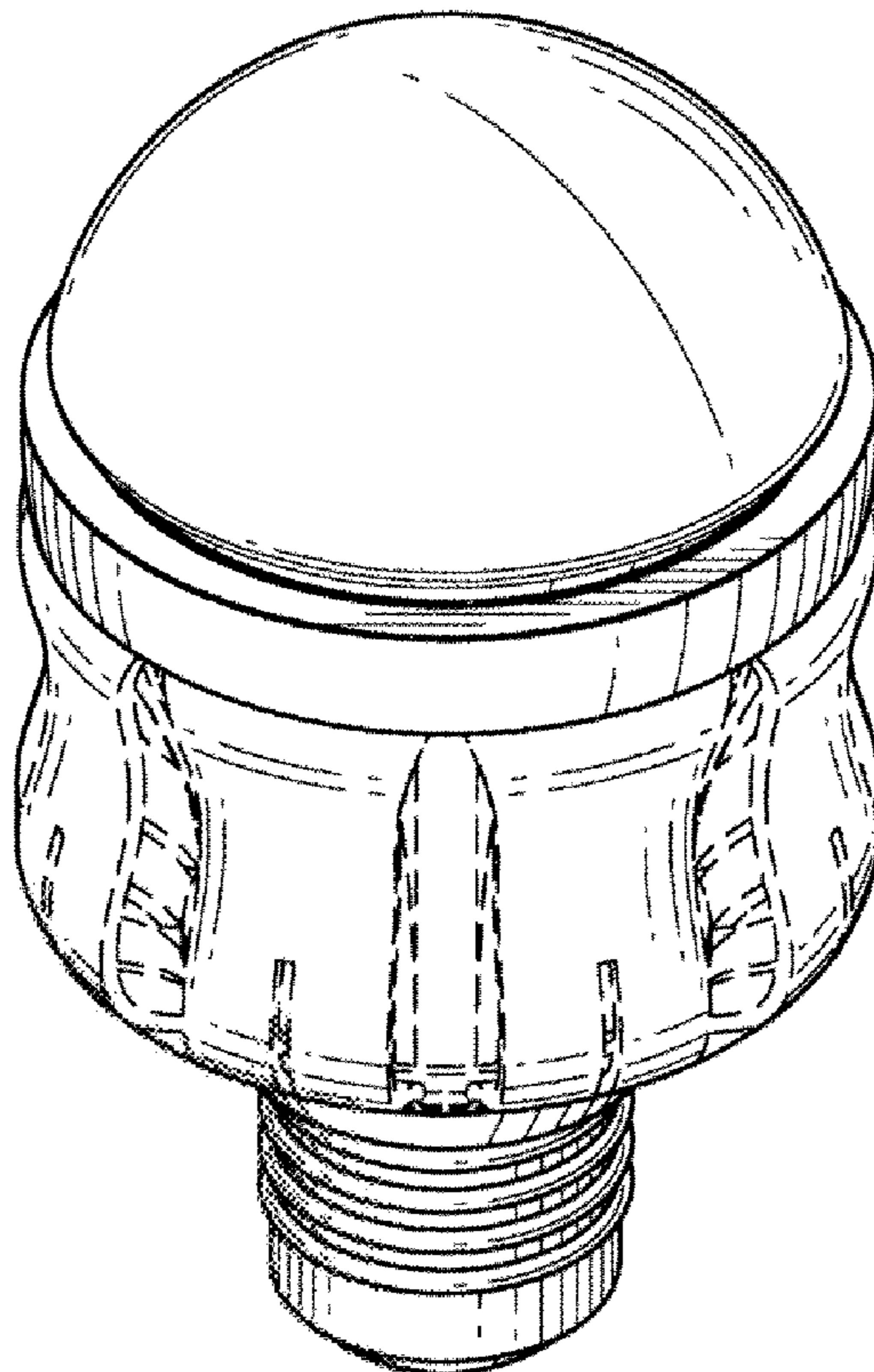
FIG. 6 is a top plan view thereof;

FIG. 7 is a bottom plan view thereof; and,

FIG. 8 is a bottom perspective view thereof.

The portions shown in dashed lines are for illustrative purposes only and form no part of the claimed design.

1 Claim, 5 Drawing Sheets



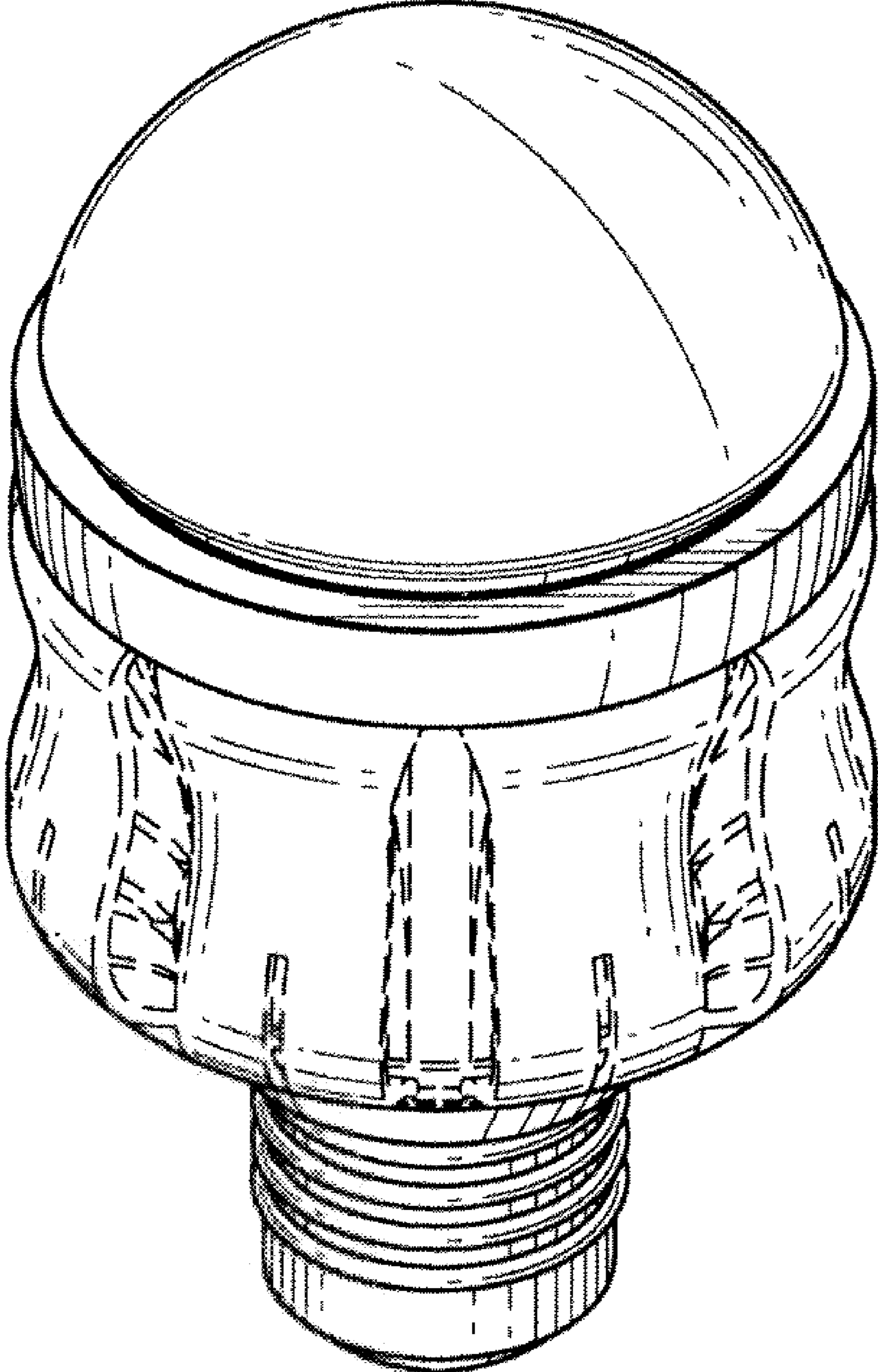


FIG. 1

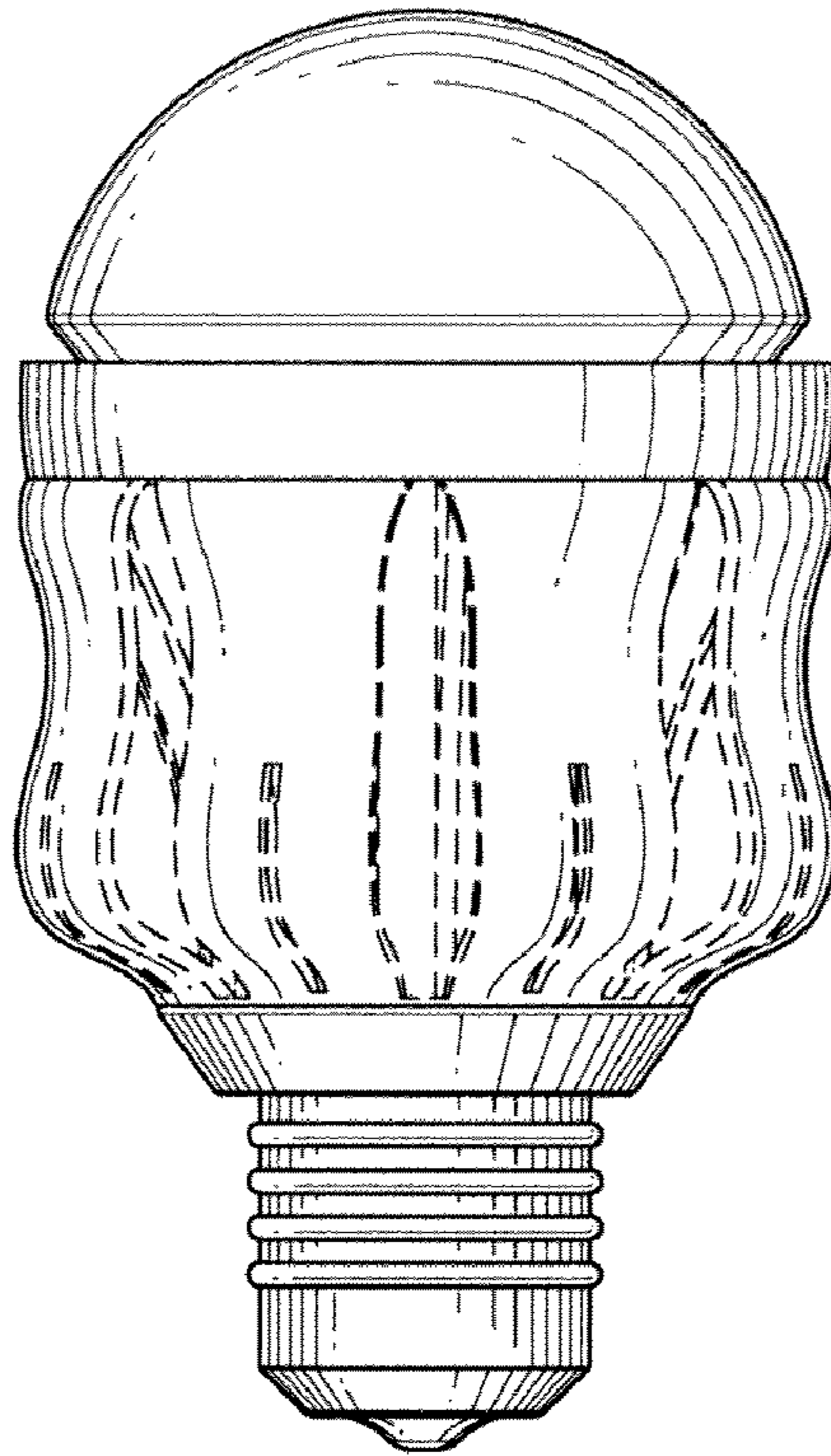


FIG. 2

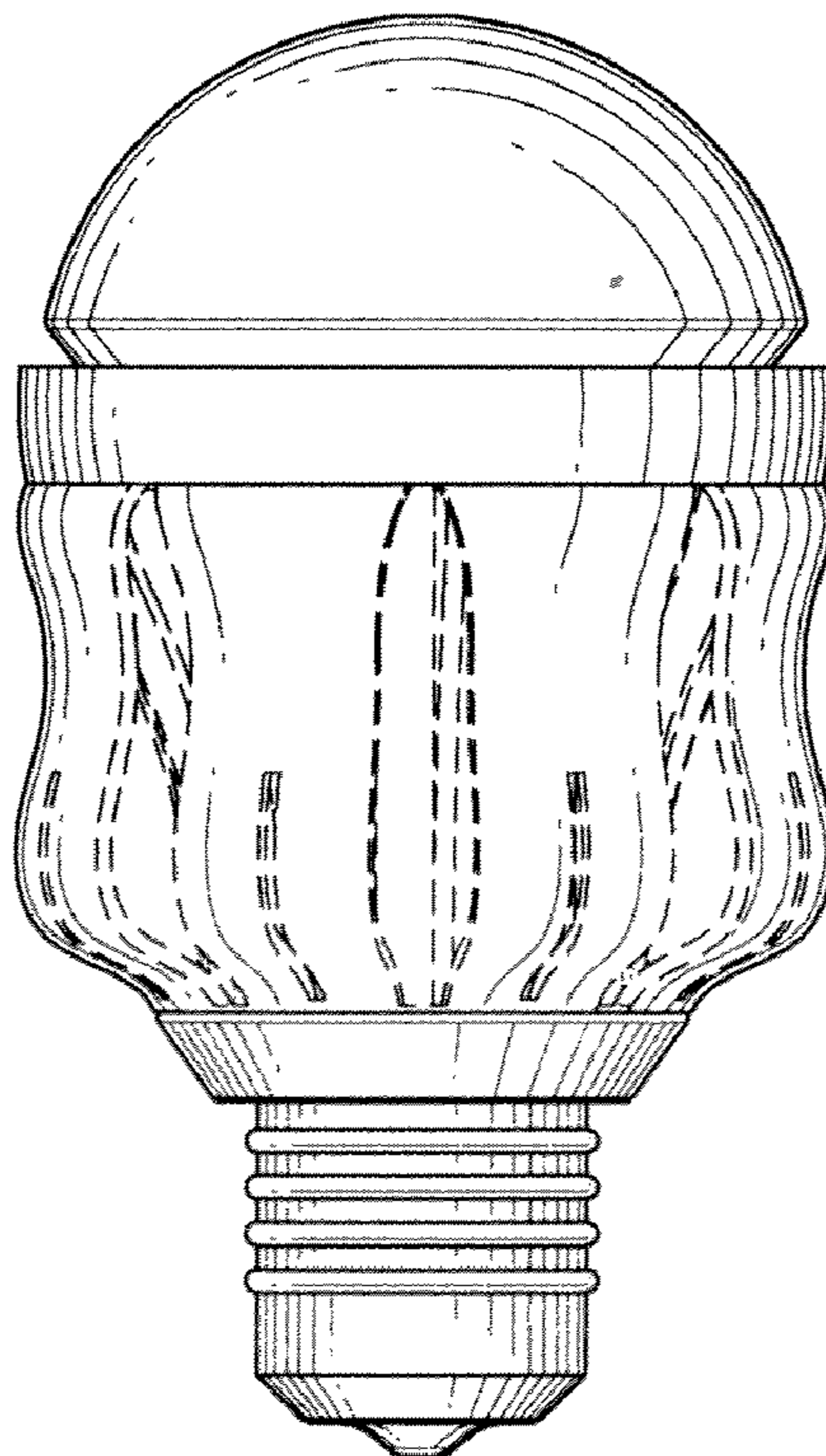


FIG. 3

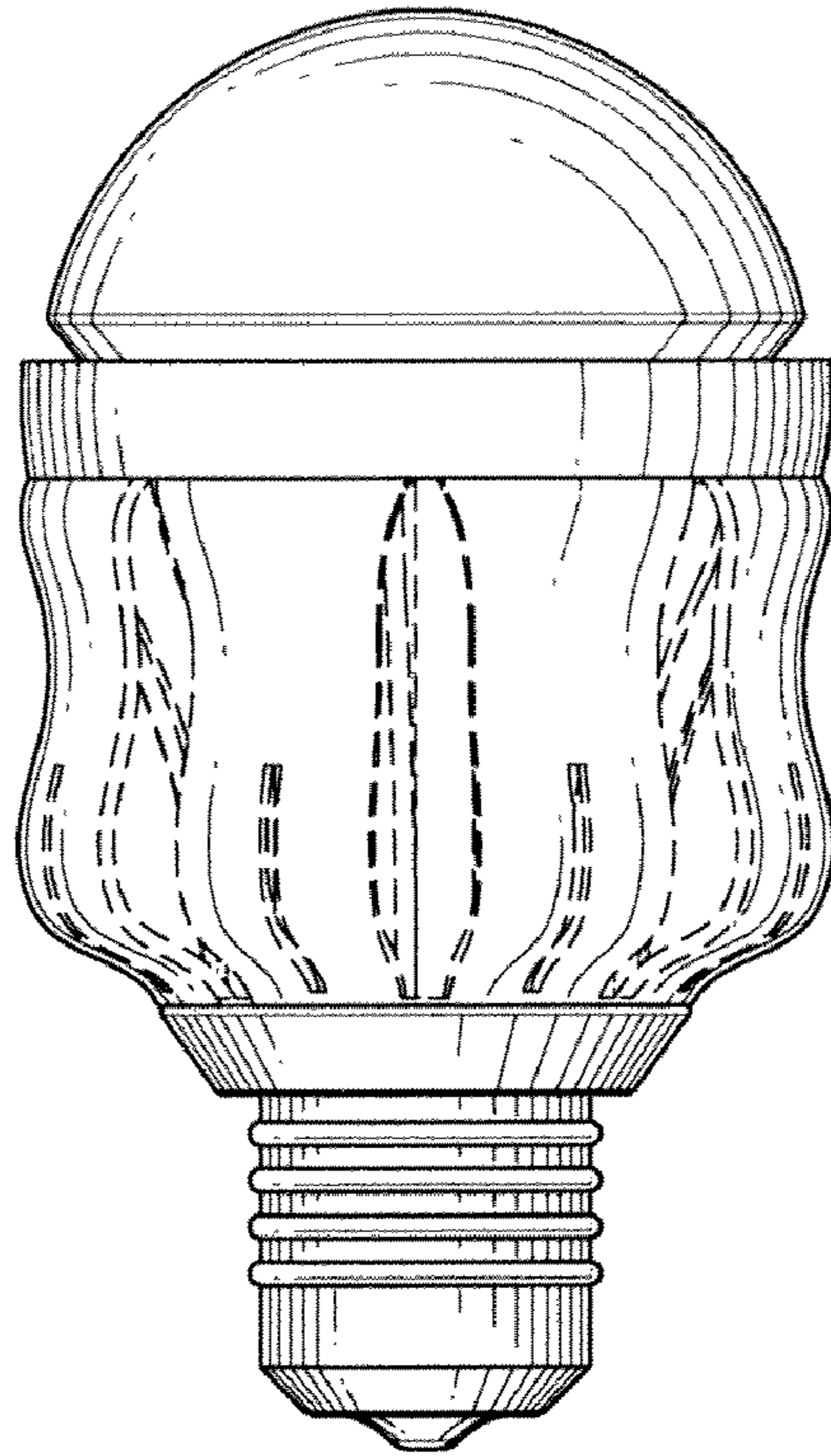


FIG. 4

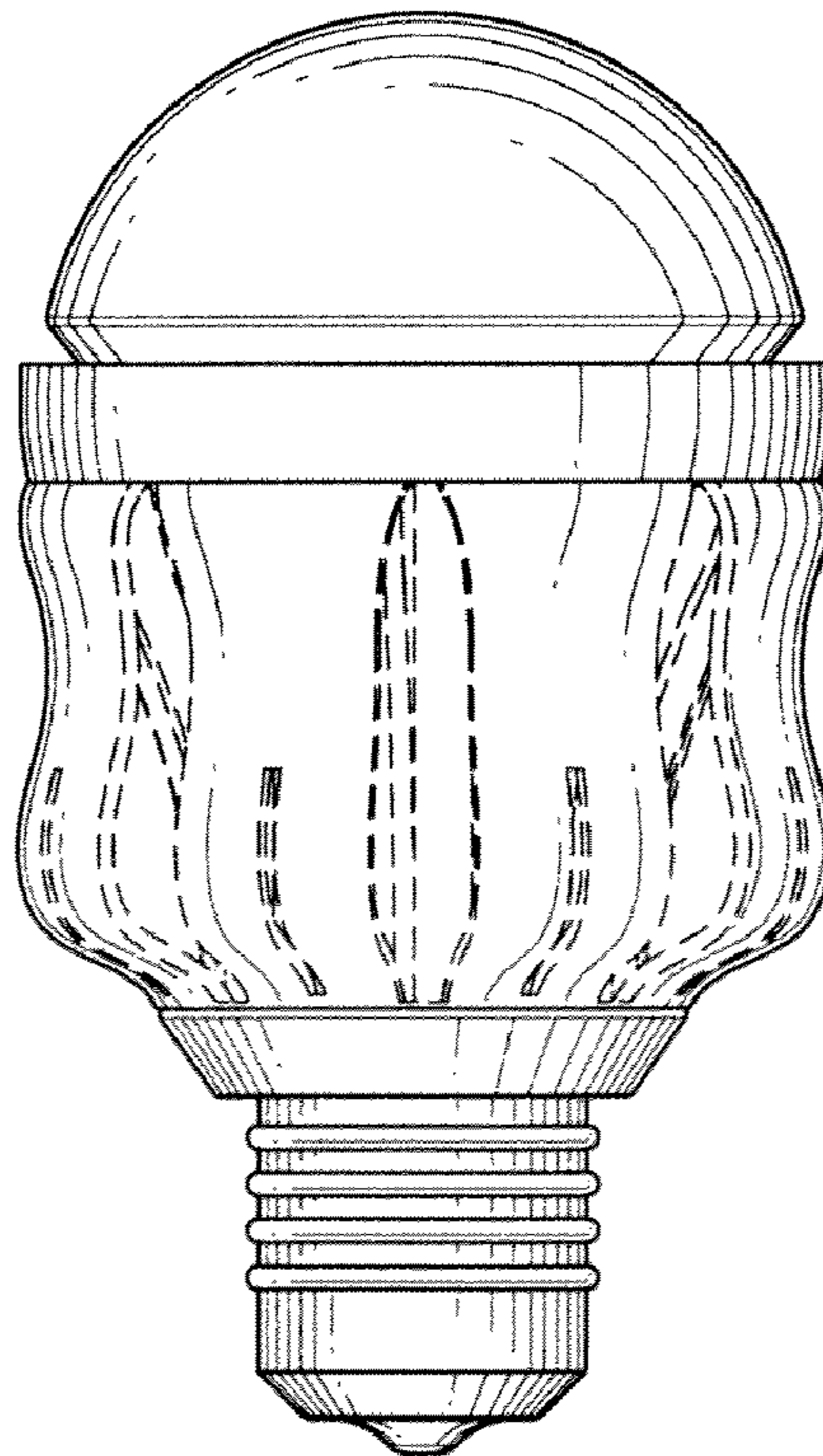


FIG. 5

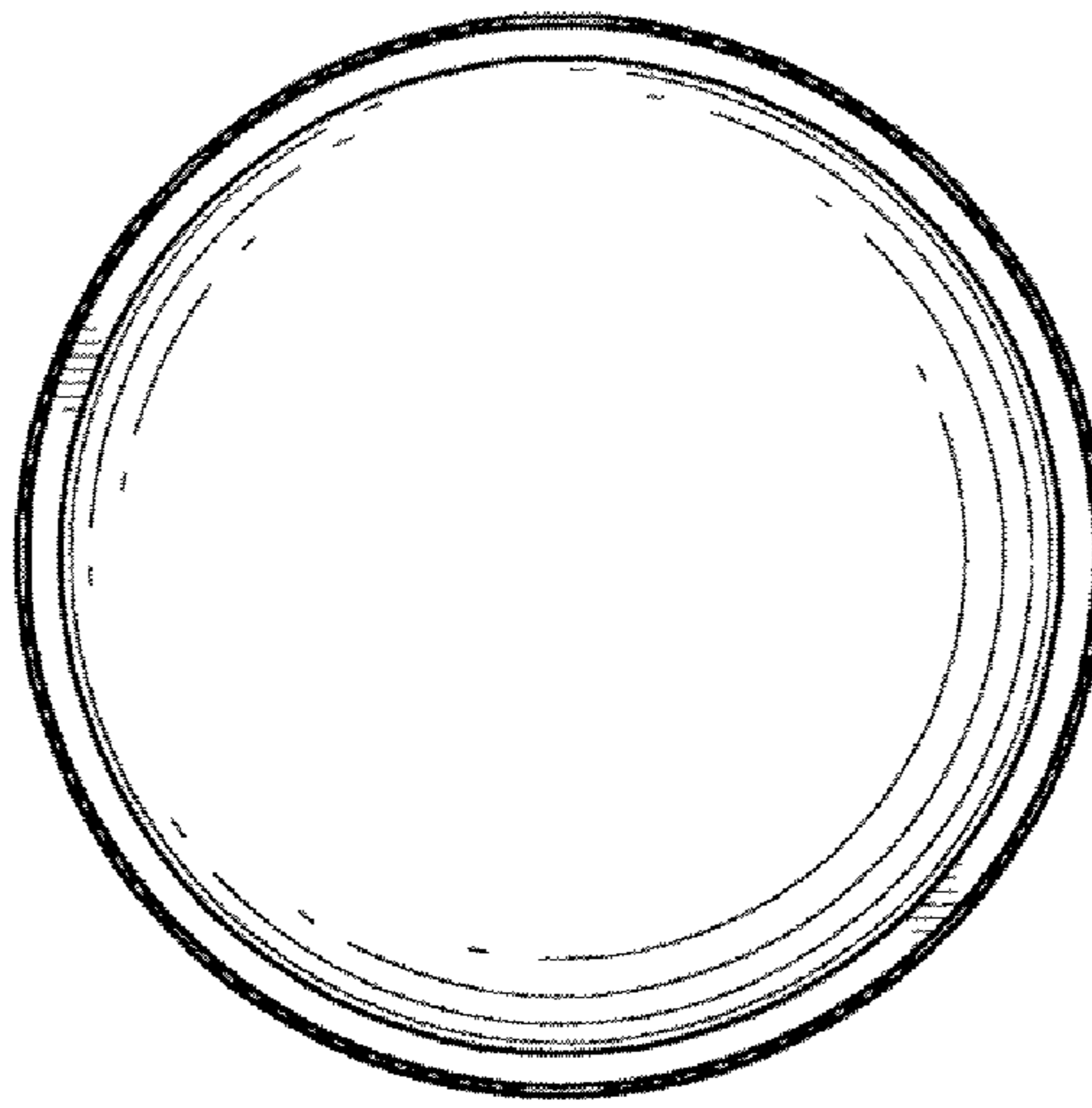


FIG. 6

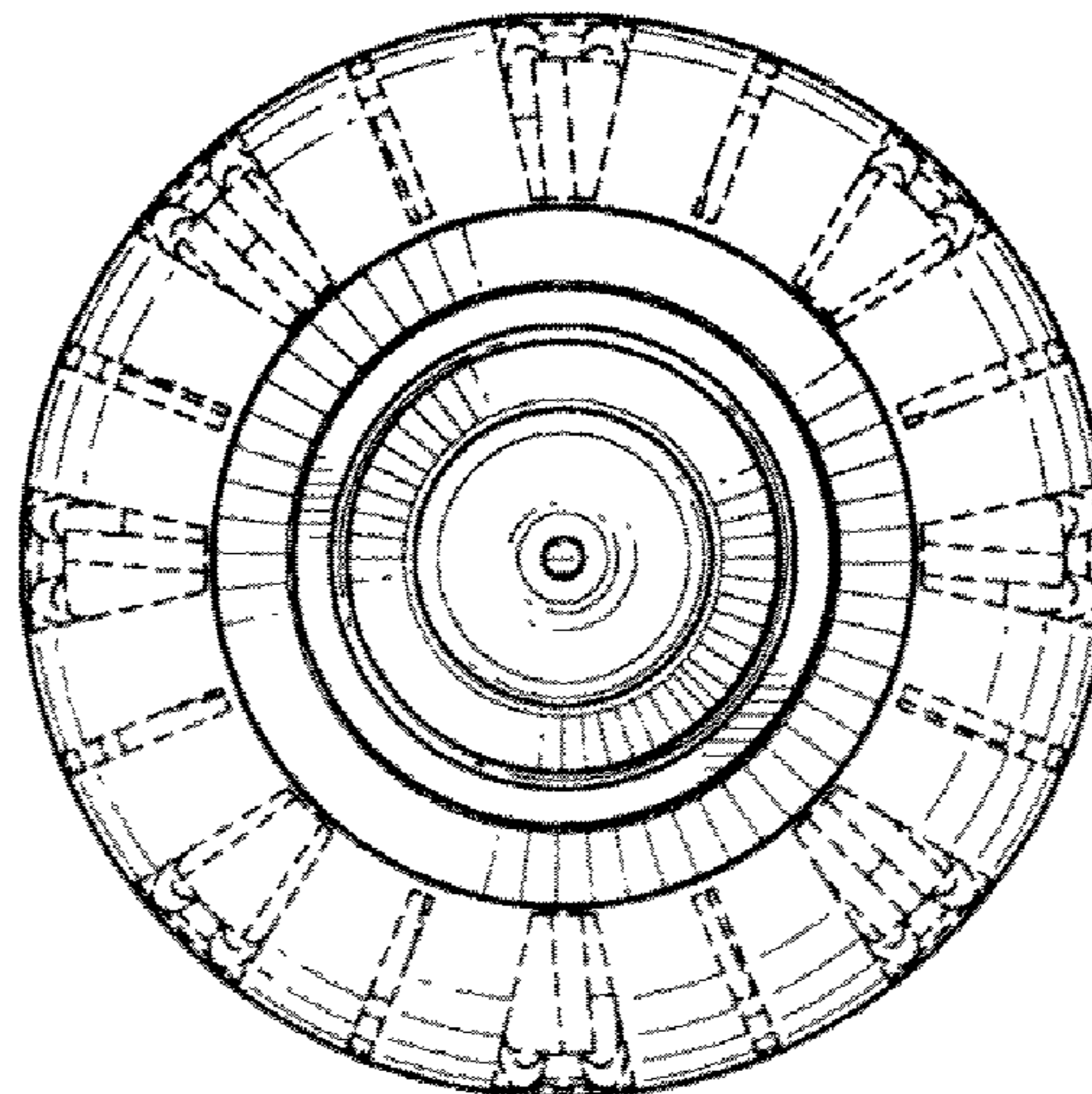


FIG. 7

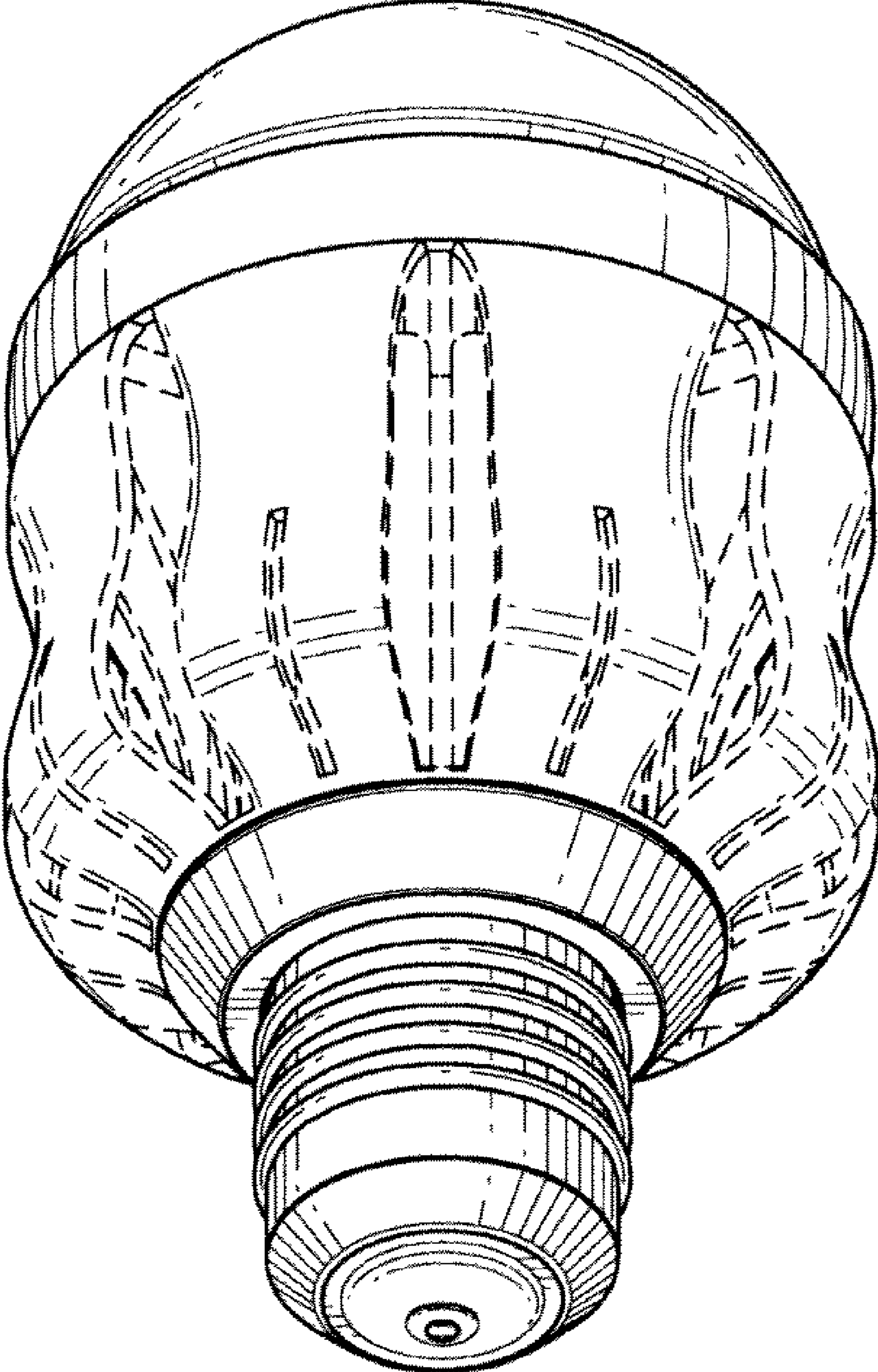


FIG. 8