



US00D645584S

(12) **United States Design Patent**  
**Kim et al.**

(10) **Patent No.:** **US D645,584 S**

(45) **Date of Patent:** **\*\* Sep. 20, 2011**

(54) **LED LAMP**

(75) Inventors: **Taihong Kim**, Seoul (KR); **Jungjoo Yoo**, Seoul (KR); **Jaeseung Choi**, Seoul (KR); **Jongsun Jeon**, Seoul (KR); **Wonho Jin**, Seoul (KR)

(73) Assignee: **LG Electronics Inc.**, Seoul (KR)

(\*\*) Term: **14 Years**

(21) Appl. No.: **29/383,067**

(22) Filed: **Jan. 12, 2011**

(30) **Foreign Application Priority Data**

Aug. 13, 2010 (KR) ..... 30-2010-0035365

(51) **LOC (9) Cl.** ..... **26-04**

(52) **U.S. Cl.** ..... **D26/2**

(58) **Field of Classification Search** ..... D26/1-4;  
313/313, 315, 316, 317, 318, 493; 315/52,  
315/53, 56, 57, 58

See application file for complete search history.

(56) **References Cited**

U.S. PATENT DOCUMENTS

D581,556	S	*	11/2008	To et al.	.....	D26/2
D590,523	S	*	4/2009	Takahashi	.....	D26/2
D600,368	S	*	9/2009	Bertram et al.	.....	D26/2
D623,778	S	*	9/2010	Moon et al.	.....	D26/2

\* cited by examiner

*Primary Examiner* — Marcus Jackson

(74) *Attorney, Agent, or Firm* — Birch, Stewart, Kolasch & Birch, LLP

(57) **CLAIM**

The ornamental design for a LED lamp, as shown and described.

**DESCRIPTION**

FIG. 1 is a top, front, perspective view of a LED lamp showing our new design;

FIG. 2 is a front view thereof;

FIG. 3 is a rear view thereof;

FIG. 4 is a left side view thereof;

FIG. 5 is a right side view thereof;

FIG. 6 is a top view thereof; and,

FIG. 7 is a bottom view thereof.

**1 Claim, 7 Drawing Sheets**

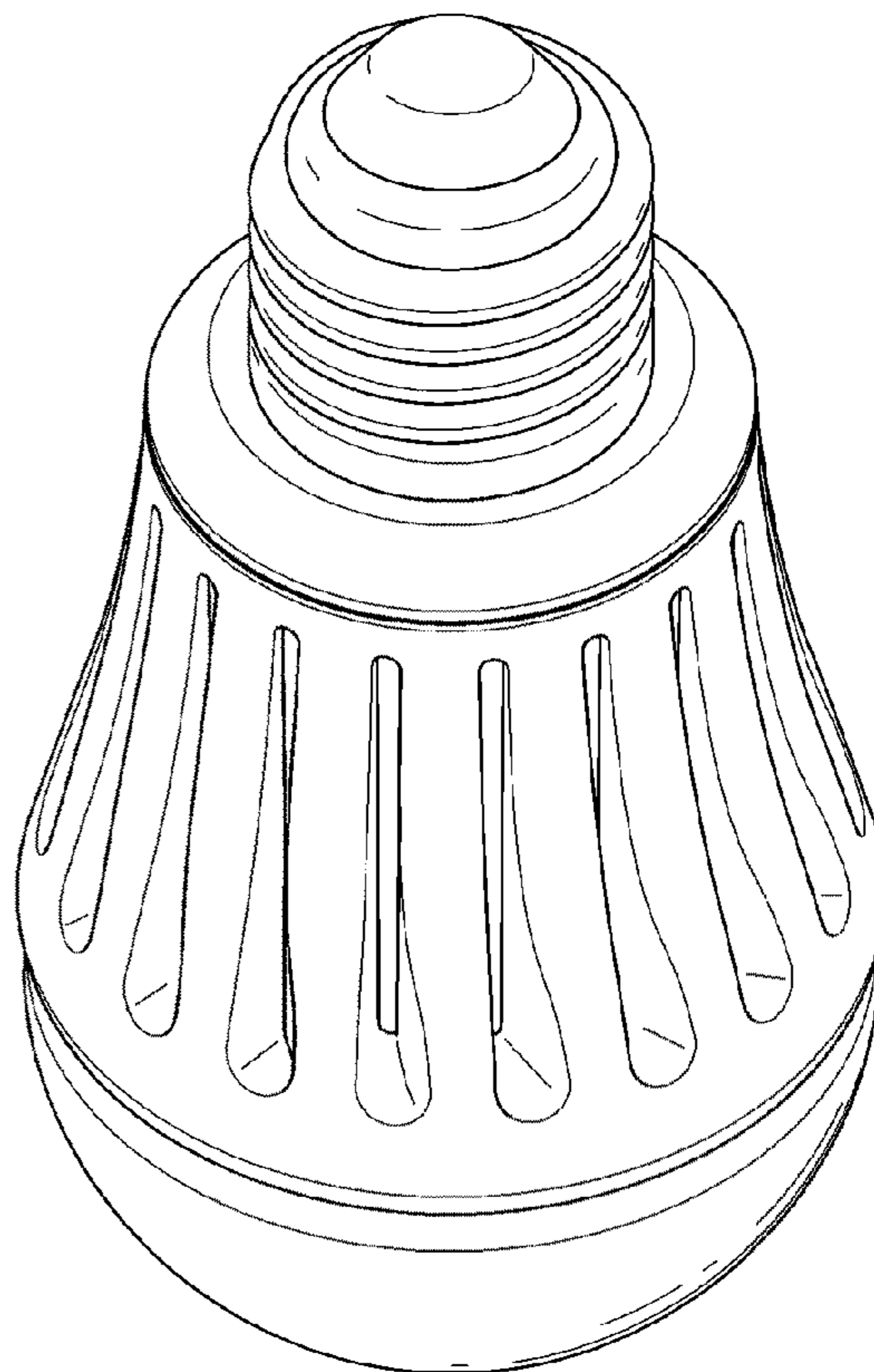


FIG. 1

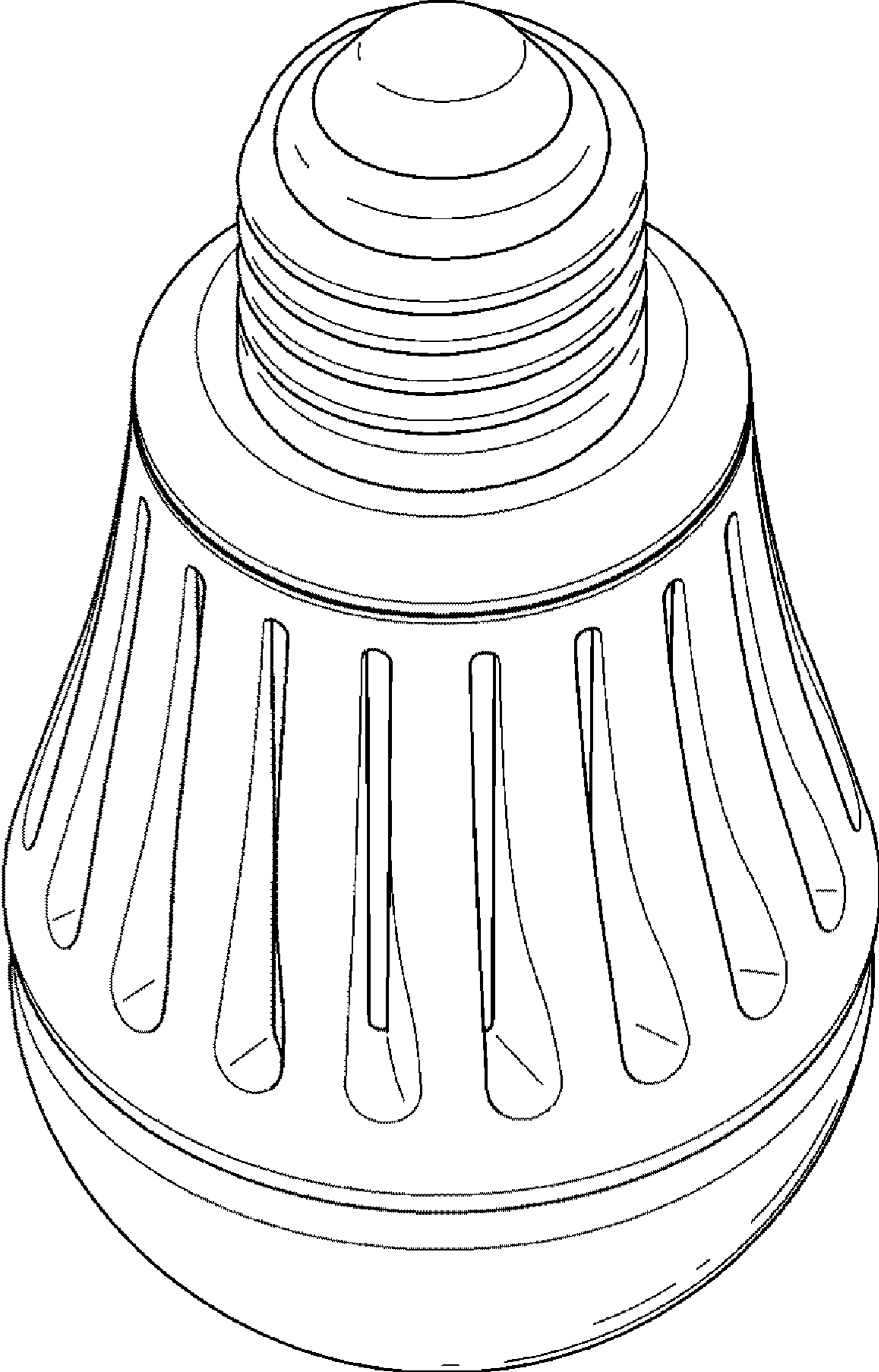


FIG. 2

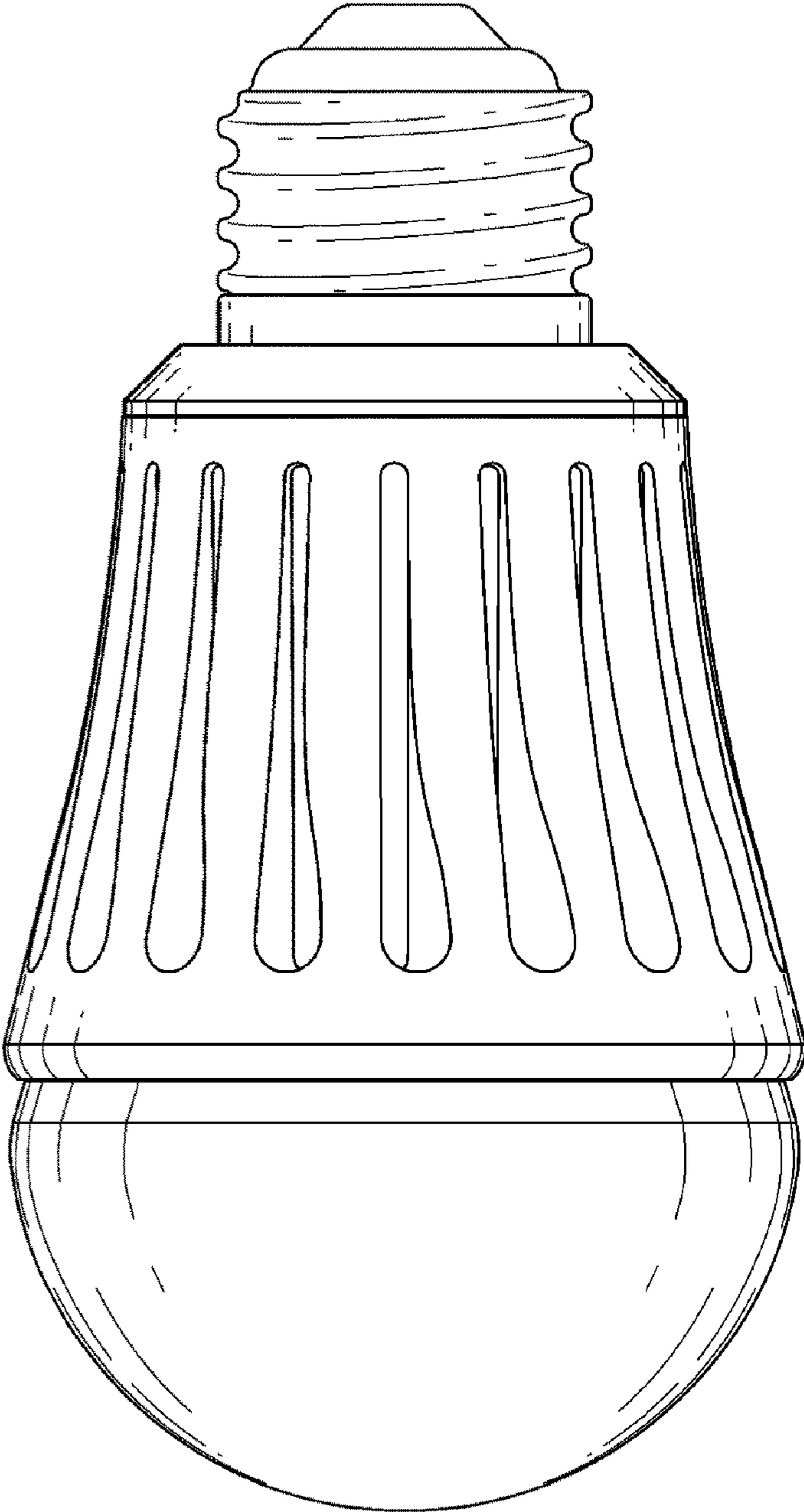


FIG. 3

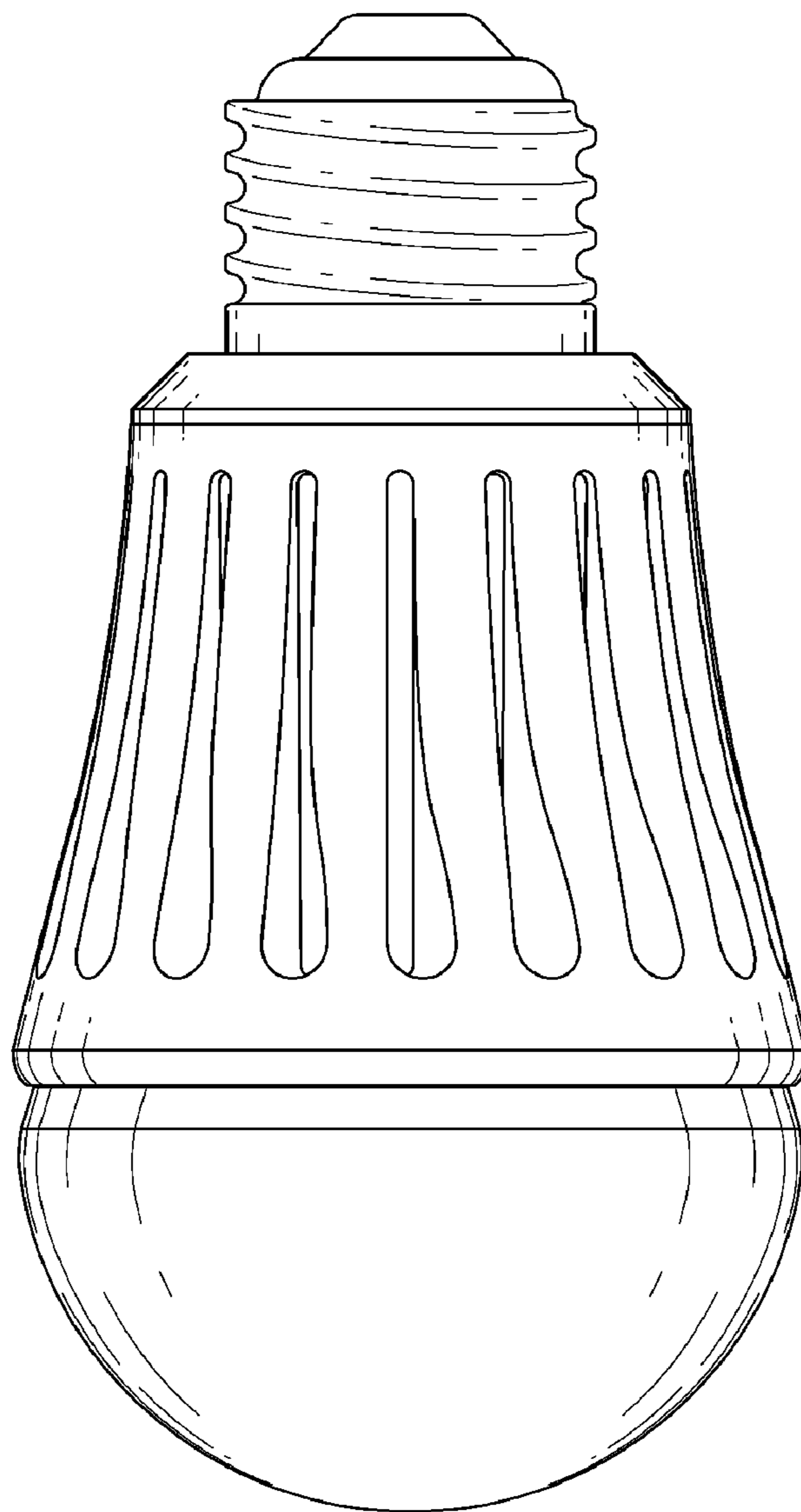


FIG. 4

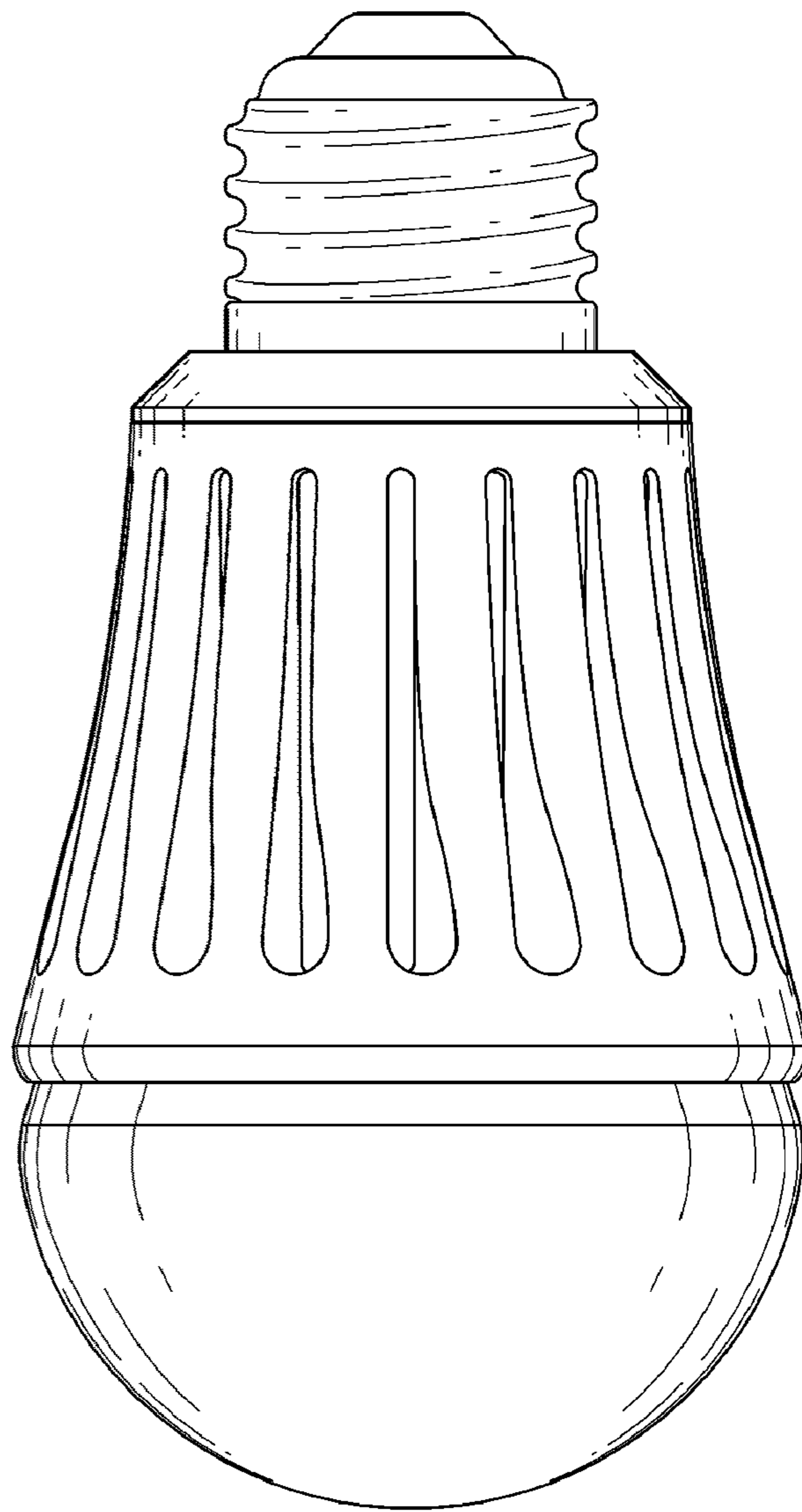


FIG. 5

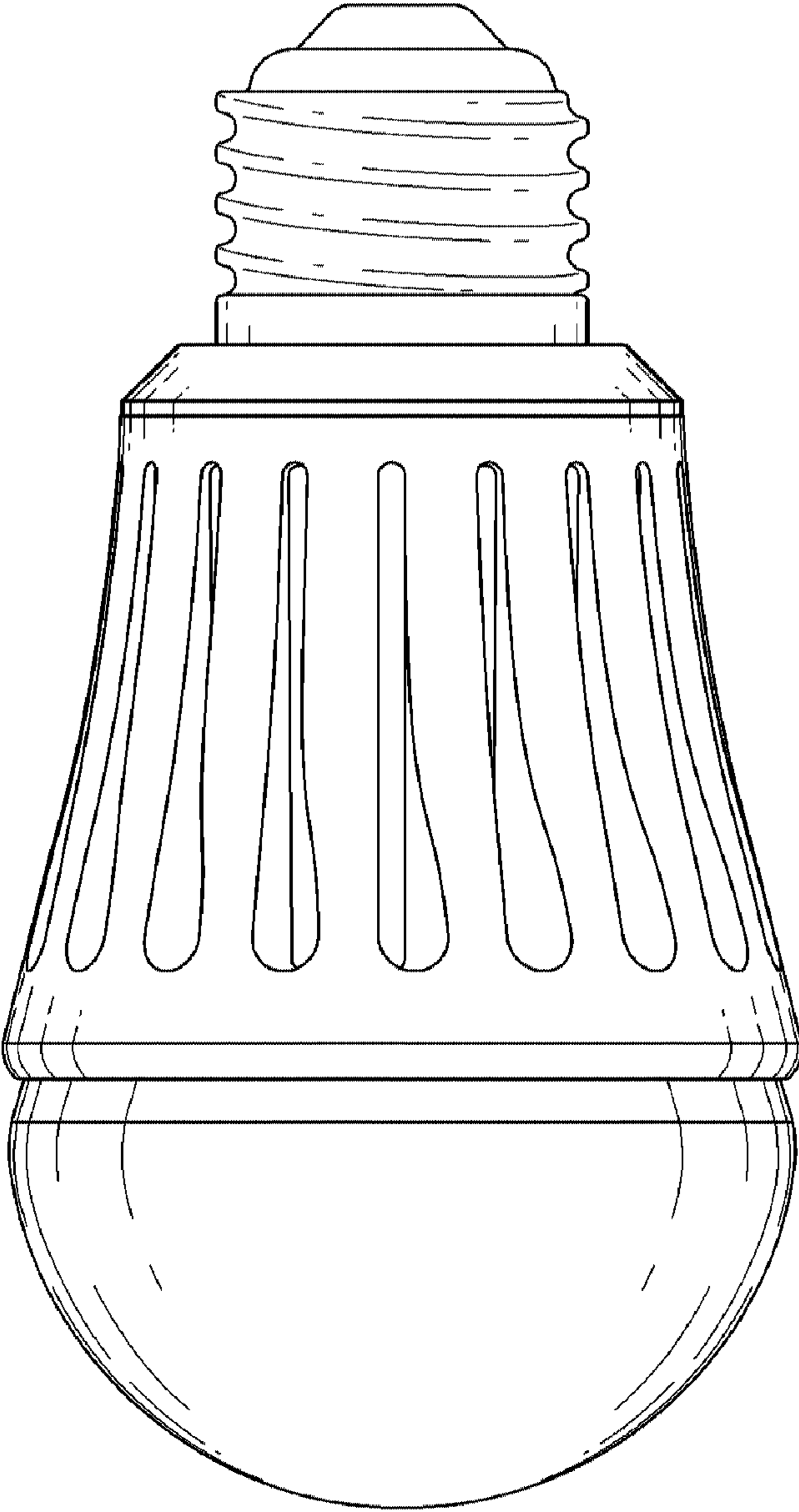


FIG. 6

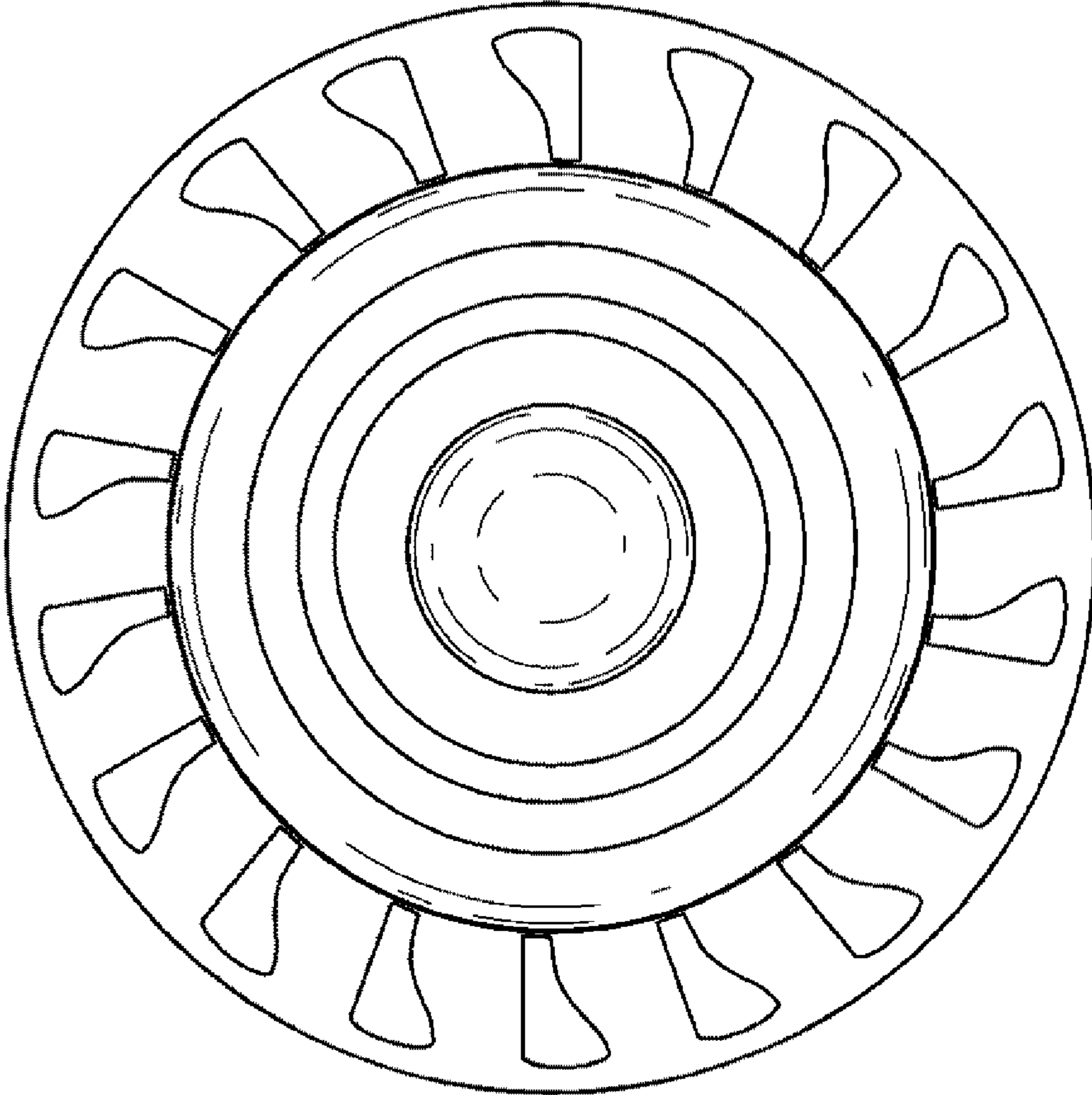


FIG. 7

