



US00D645581S

(12) **United States Design Patent**
Murakami et al.

(10) **Patent No.:** **US D645,581 S**

(45) **Date of Patent:** **** Sep. 20, 2011**

(54) **LIGHT-EMITTING DIODE LAMP**

(75) Inventors: **Yutaka Murakami**, Shiga (JP);
Haruhiko Uneo, Osaka (JP); **Kenji**
Takahashi, Osaka (JP); **Yasushige**
Tomiyoshi, Osaka (JP)

(73) Assignee: **Panasonic Corporation**, Osaka (JP)

(**) Term: **14 Years**

(21) Appl. No.: **29/382,710**

(22) Filed: **Jan. 6, 2011**

(30) **Foreign Application Priority Data**

Dec. 1, 2010 (JP) 2010-028662

(51) **LOC (9) Cl.** **26-04**

(52) **U.S. Cl.** **D26/2**

(58) **Field of Classification Search** D26/1-4;
313/313, 315, 316, 317, 318, 493; 315/52,
315/53, 56, 57, 58

See application file for complete search history.

(56) **References Cited**

U.S. PATENT DOCUMENTS

D534,665 S * 1/2007 Egawa et al. D26/2
D542,426 S * 5/2007 Itaya et al. D26/2
D549,361 S * 8/2007 To et al. D26/2
D581,556 S * 11/2008 To et al. D26/2
D600,367 S * 9/2009 Bertram et al. D26/2

D602,614 S * 10/2009 Takahashi et al. D26/2
D617,918 S * 6/2010 Yamamoto et al. D26/2
D633,227 S * 2/2011 Murakami et al. D26/2
D635,281 S * 3/2011 Murakami et al. D26/2

FOREIGN PATENT DOCUMENTS

JP D1370571 10/2009
JP D1371488 10/2009
JP D1394094 8/2010

* cited by examiner

Primary Examiner — Marcus Jackson

(74) *Attorney, Agent, or Firm* — Brinks Hofer Gilson & Lione

(57) **CLAIM**

We claim the ornamental design for a light-emitting diode lamp, as shown and described.

DESCRIPTION

FIG. 1 is a front perspective view of a light-emitting diode lamp of the present invention;
FIG. 2 is a front view thereof;
FIG. 3 is a rear view thereof;
FIG. 4 is a first side view thereof;
FIG. 5 is a second side view thereof;
FIG. 6 is a top view thereof; and,
FIG. 7 is a bottom view thereof.

The broken line showing of light-emitting diode lamp is included for the purpose of illustrating environment and forms no part of the claimed design.

1 Claim, 7 Drawing Sheets

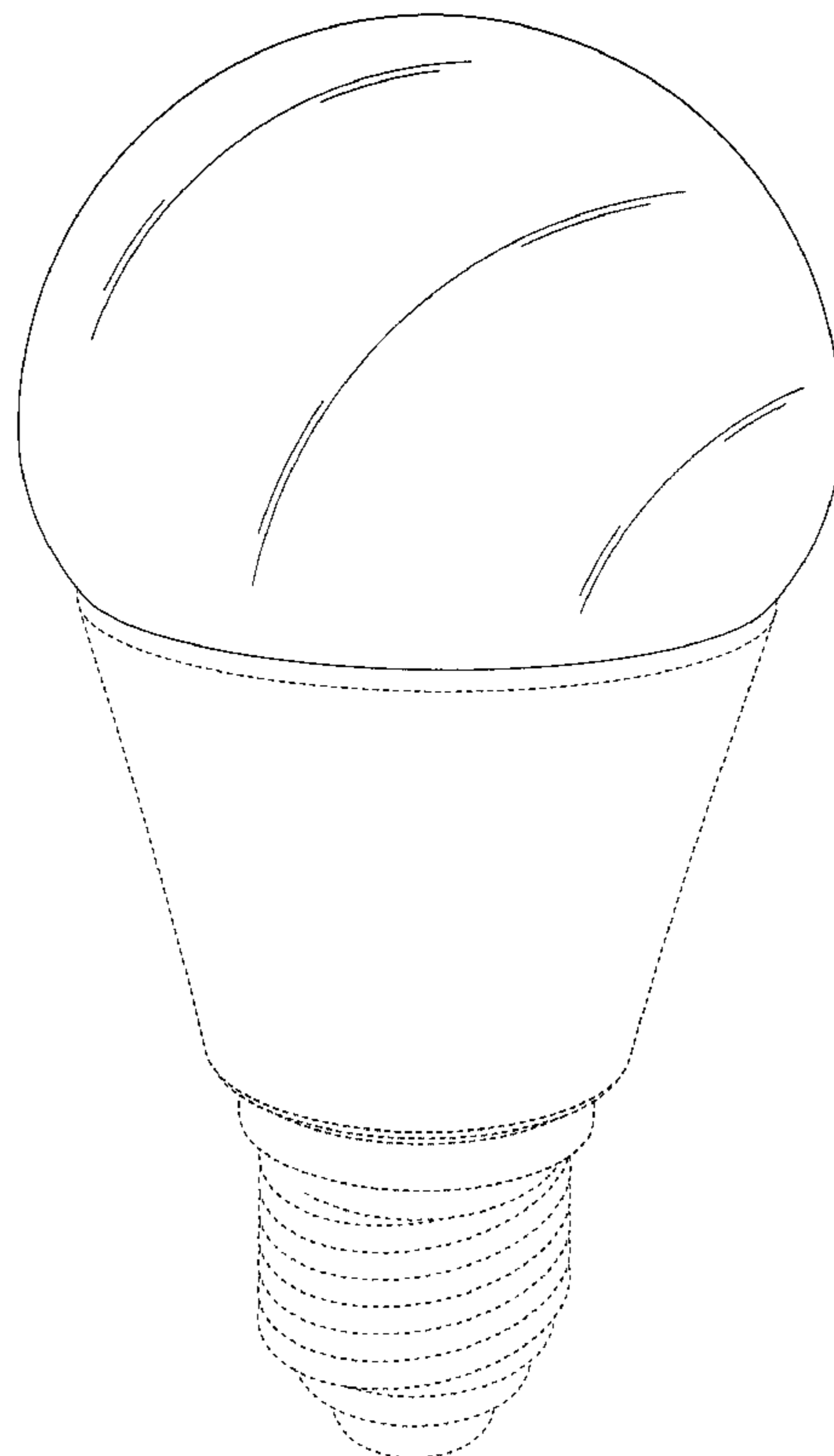


FIG.1

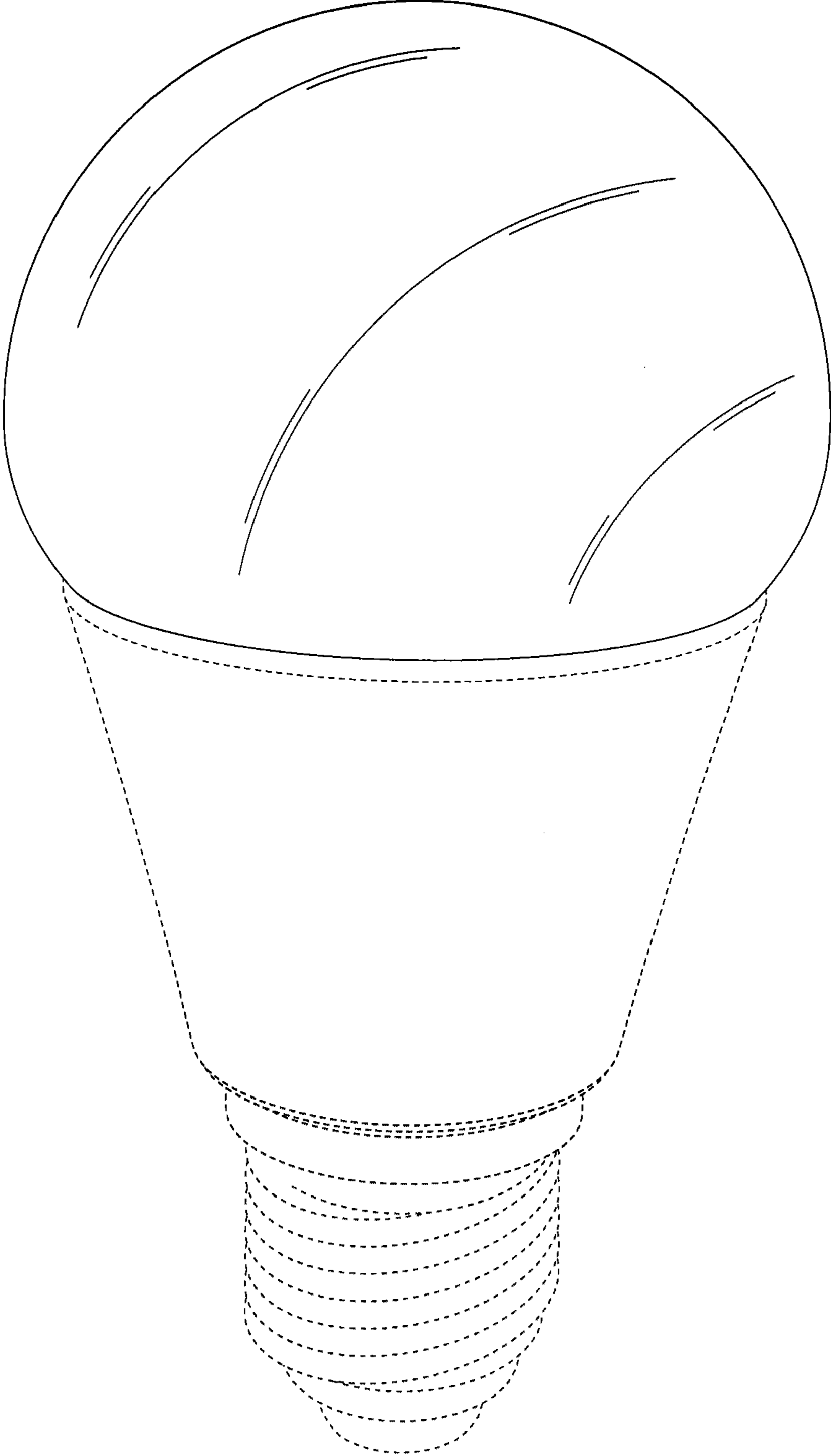


FIG.2

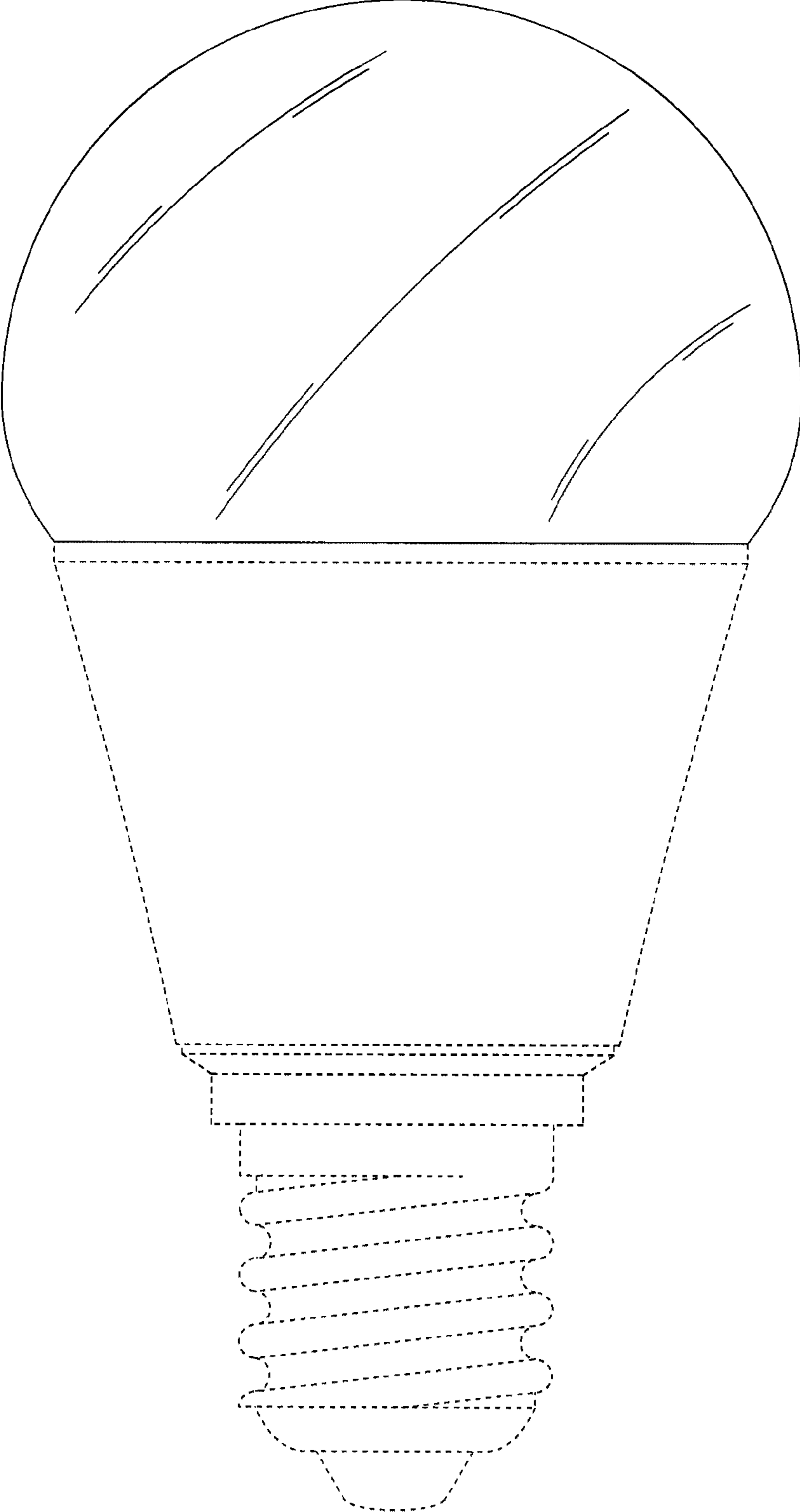


FIG.3

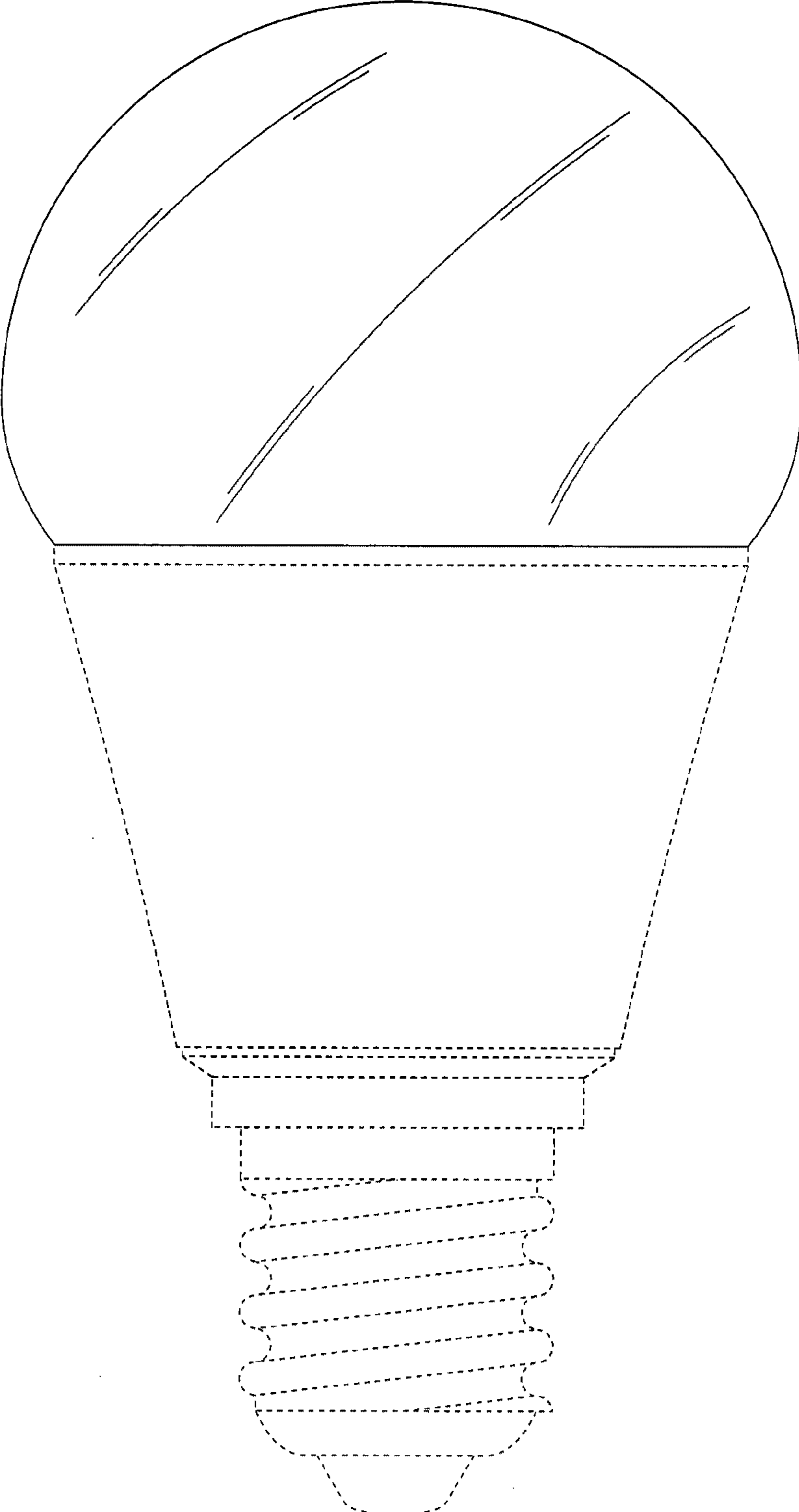


FIG.4

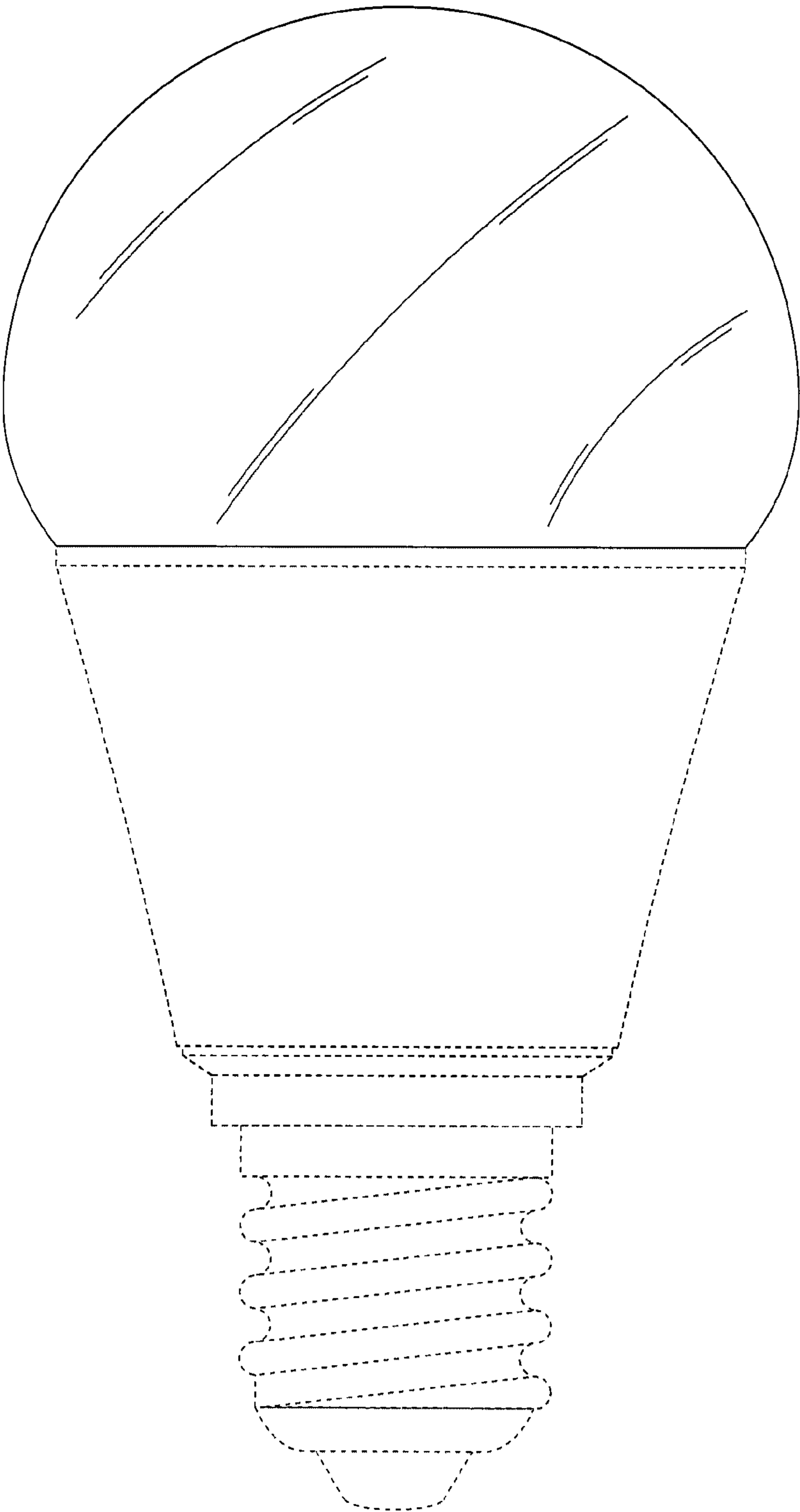


FIG.5

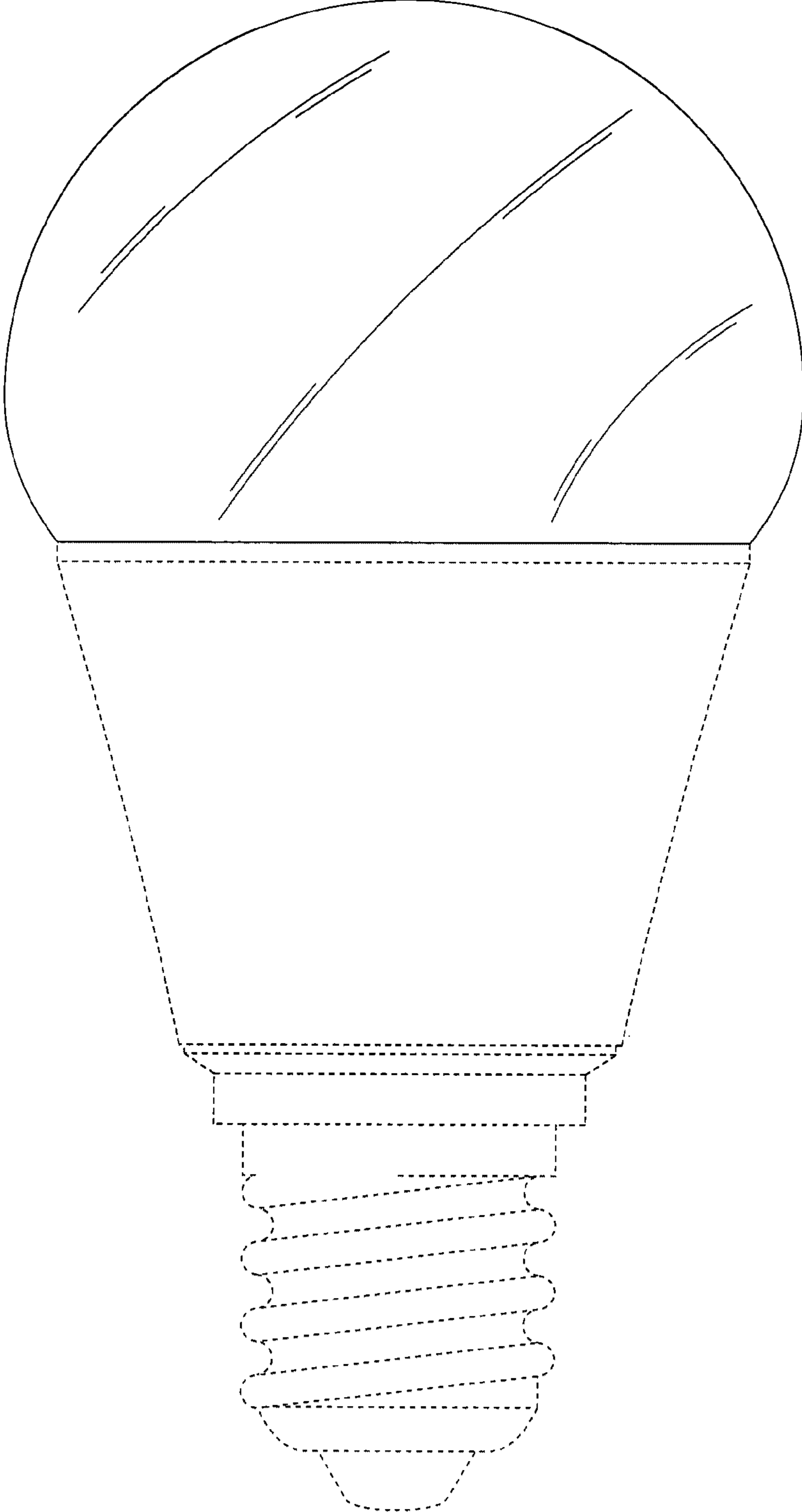


FIG.6

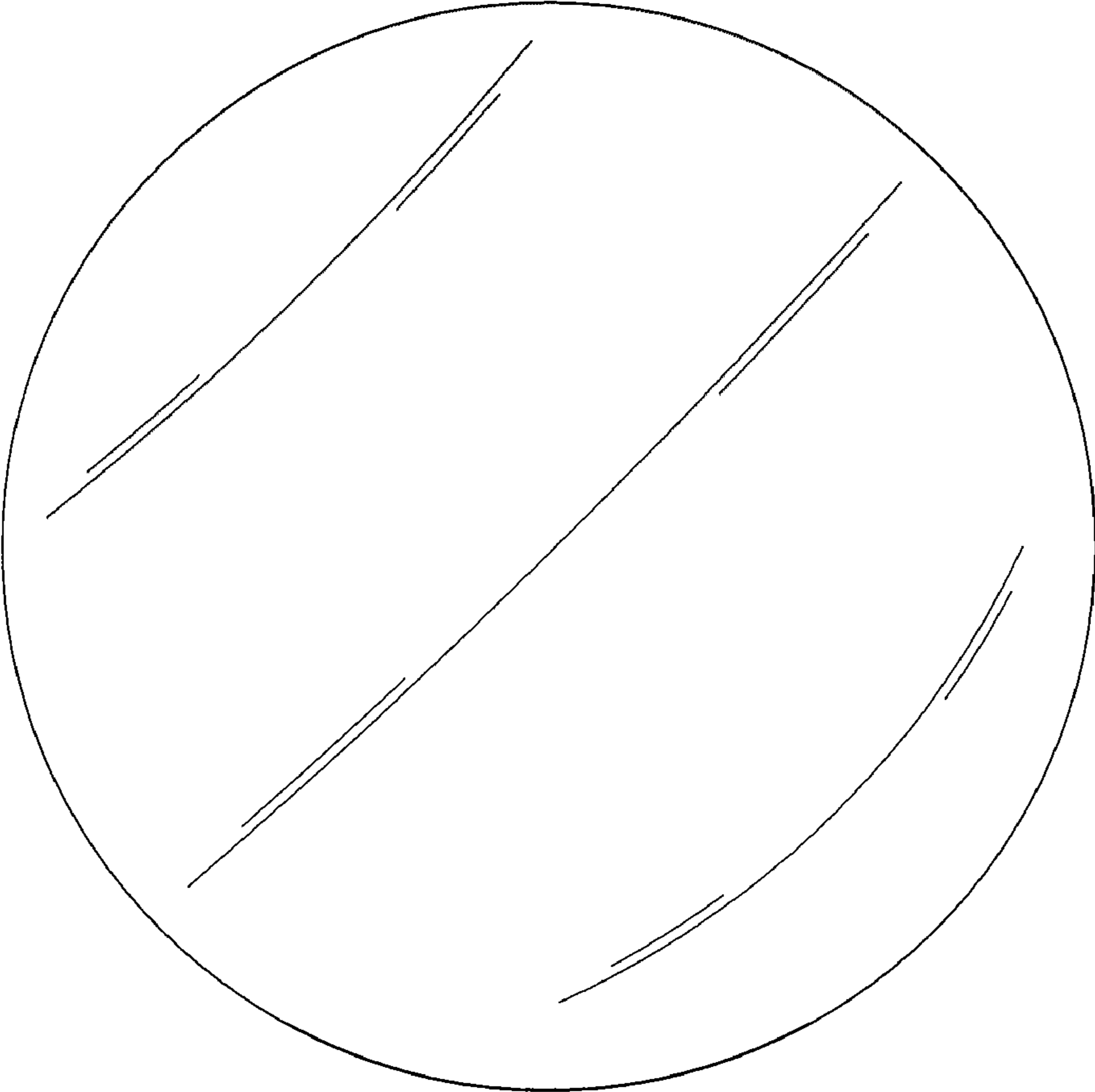


FIG.7

