

US00D645580S

(12) **United States Design Patent**
Yoshinobu

(10) **Patent No.:** **US D645,580 S**

(45) **Date of Patent:** **** Sep. 20, 2011**

(54) **LIGHT EMITTING DIODE LAMP**

(75) Inventor: **Masayuki Yoshinobu**, Kanagawa (JP)

(73) Assignees: **Toshiba Lighting & Technology Corporation**, Kanagawa (JP);
Kabushiki Kaisha Toshiba, Tokyo (JP)

(**) Term: **14 Years**

(21) Appl. No.: **29/376,290**

(22) Filed: **Oct. 5, 2010**

(30) **Foreign Application Priority Data**

Apr. 7, 2010 (JP) 2010-008747

(51) **LOC (9) Cl.** **26-04**

(52) **U.S. Cl.** **D26/2**

(58) **Field of Classification Search** D26/1-4;
313/313, 315, 316, 317, 318, 493; 315/52,
315/53, 56, 57, 58

See application file for complete search history.

(56) **References Cited**

U.S. PATENT DOCUMENTS

D539,443 S * 3/2007 Kwong et al. D26/2
D545,456 S * 6/2007 Foo D26/2
D561,917 S * 2/2008 Tsao D26/2
D568,498 S * 5/2008 Degenhard et al. D26/2

D581,555 S * 11/2008 To et al. D26/2
D593,222 S * 5/2009 To et al. D26/2
D594,997 S * 6/2009 Zhu et al. D26/2
D620,152 S 7/2010 Lai et al.
D621,973 S * 8/2010 Grajcar D26/2

FOREIGN PATENT DOCUMENTS

JP D1348736 1/2009

* cited by examiner

Primary Examiner — Marcus Jackson

(74) *Attorney, Agent, or Firm* — J.C. Patents

(57) **CLAIM**

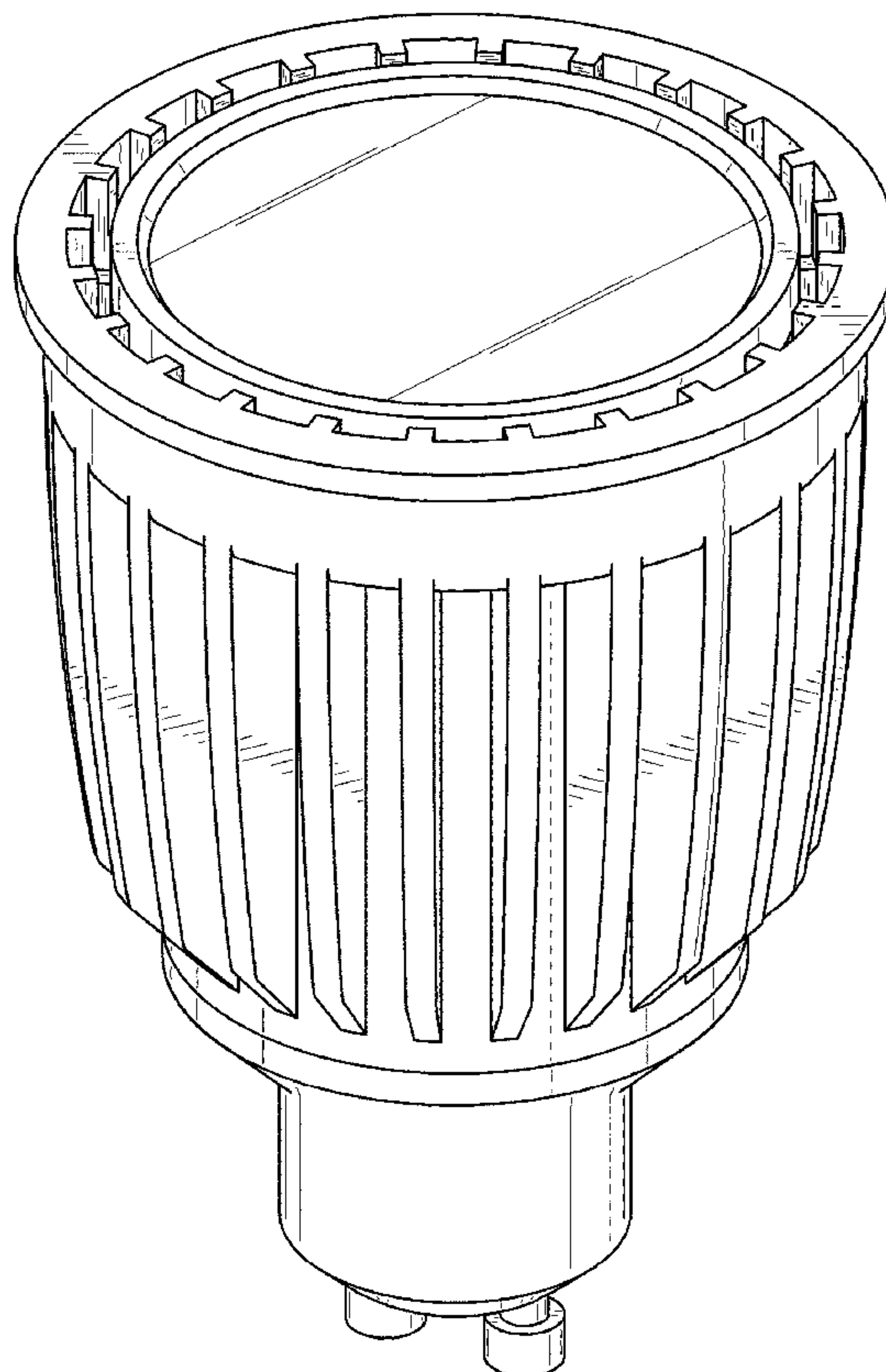
The ornamental design for a light emitting diode lamp, as shown and described.

DESCRIPTION

FIG. 1 is a perspective view of a light emitting diode lamp showing my new design;
FIG. 2 is a front view thereof;
FIG. 3 is a right side view thereof;
FIG. 4 is a top view thereof; and,
FIG. 5 is a bottom view thereof.

A left side view and a rear view of the light emitting diode lamp are omitted since the left side view and the rear view are respectively identical to the right side view and the front view.

1 Claim, 5 Drawing Sheets



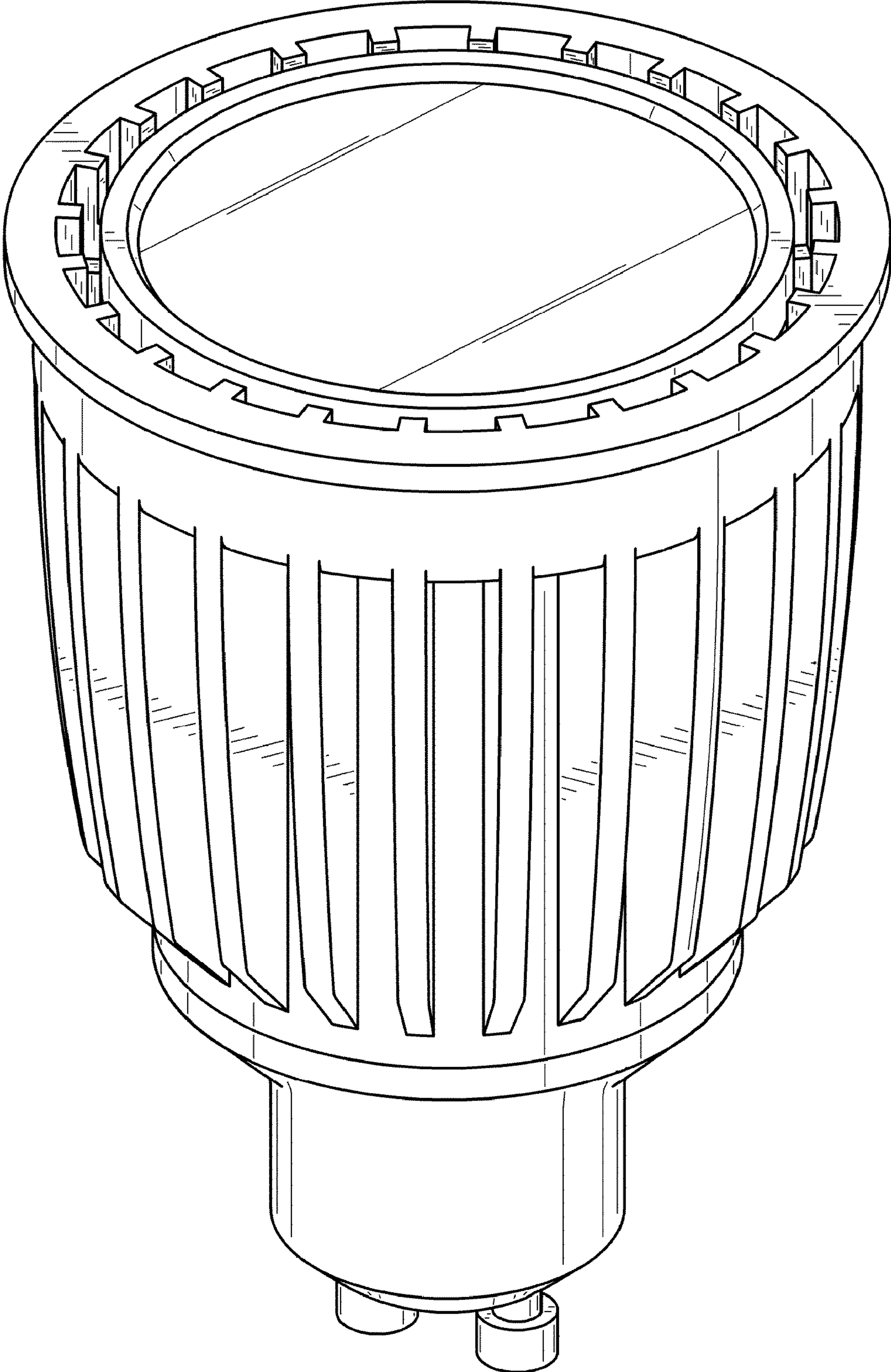


FIG. 1

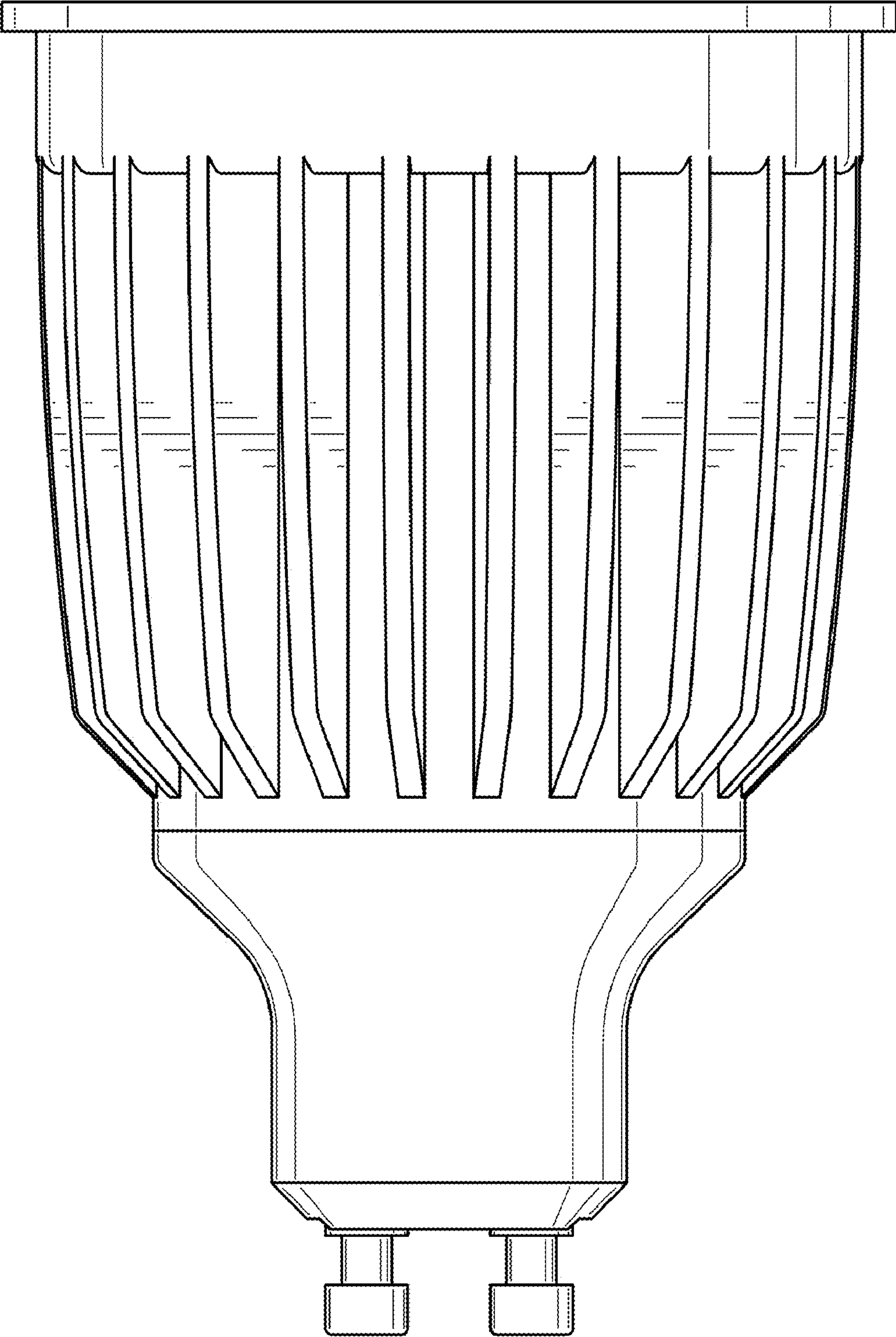


FIG. 2

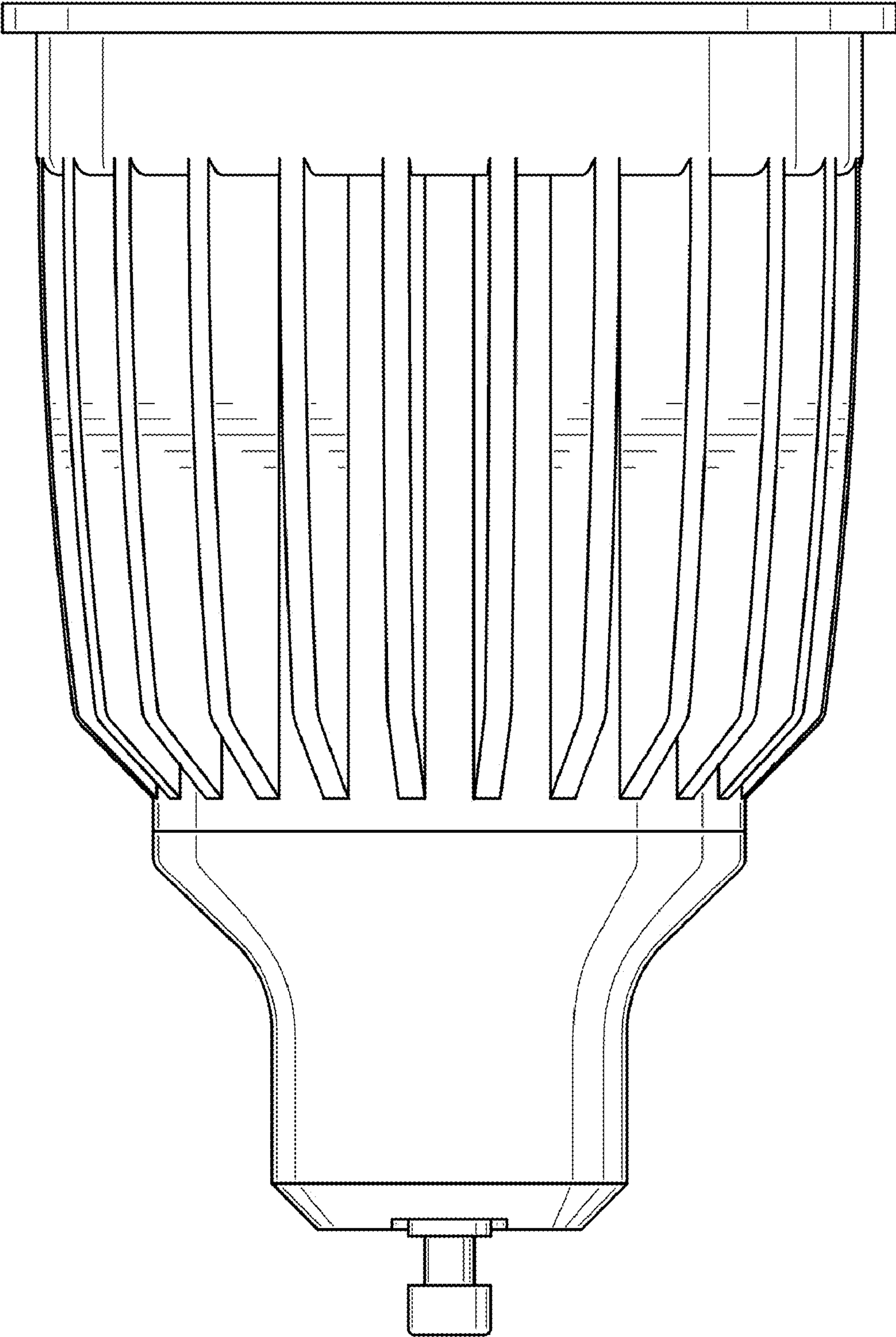


FIG. 3

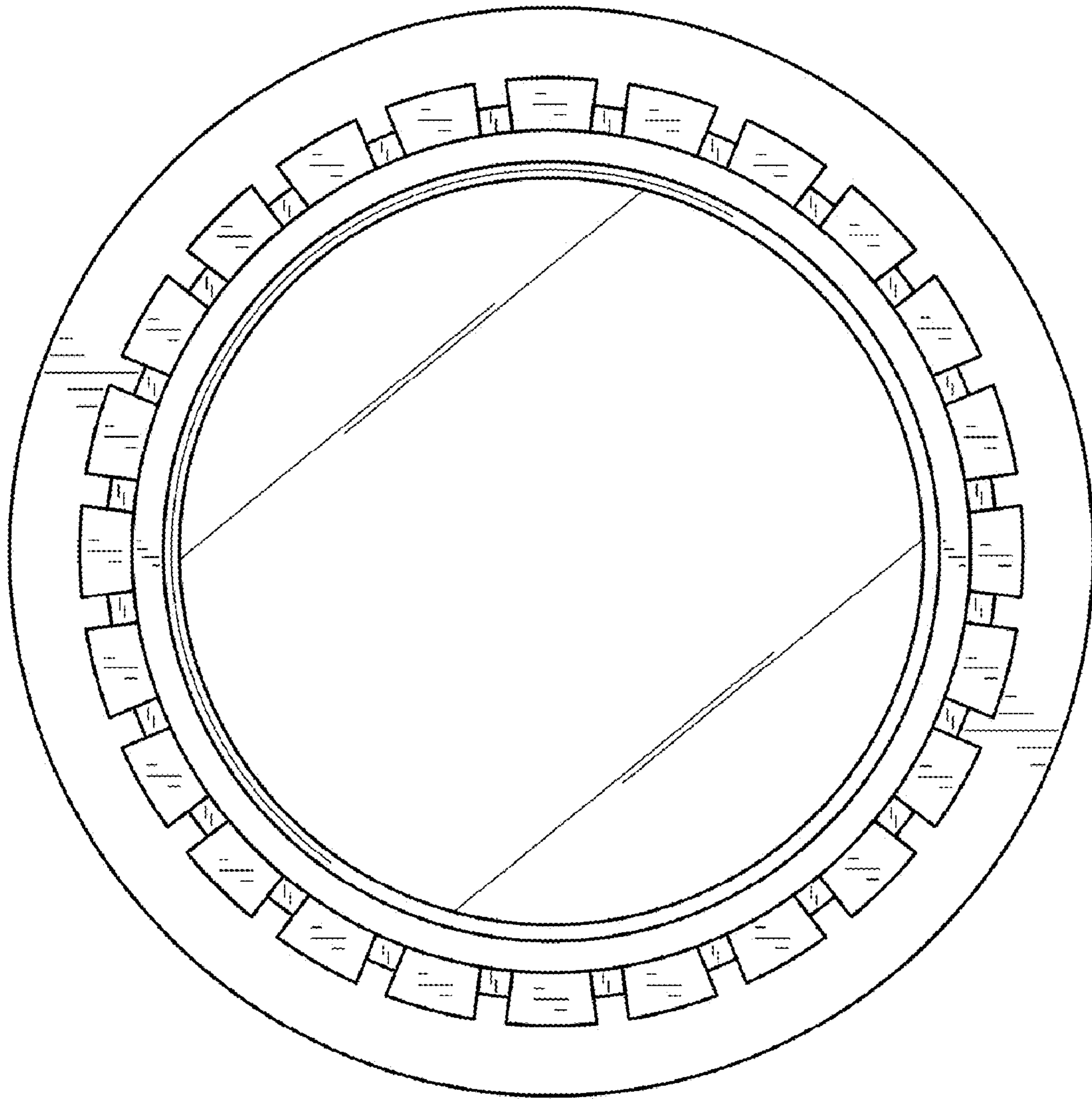


FIG. 4

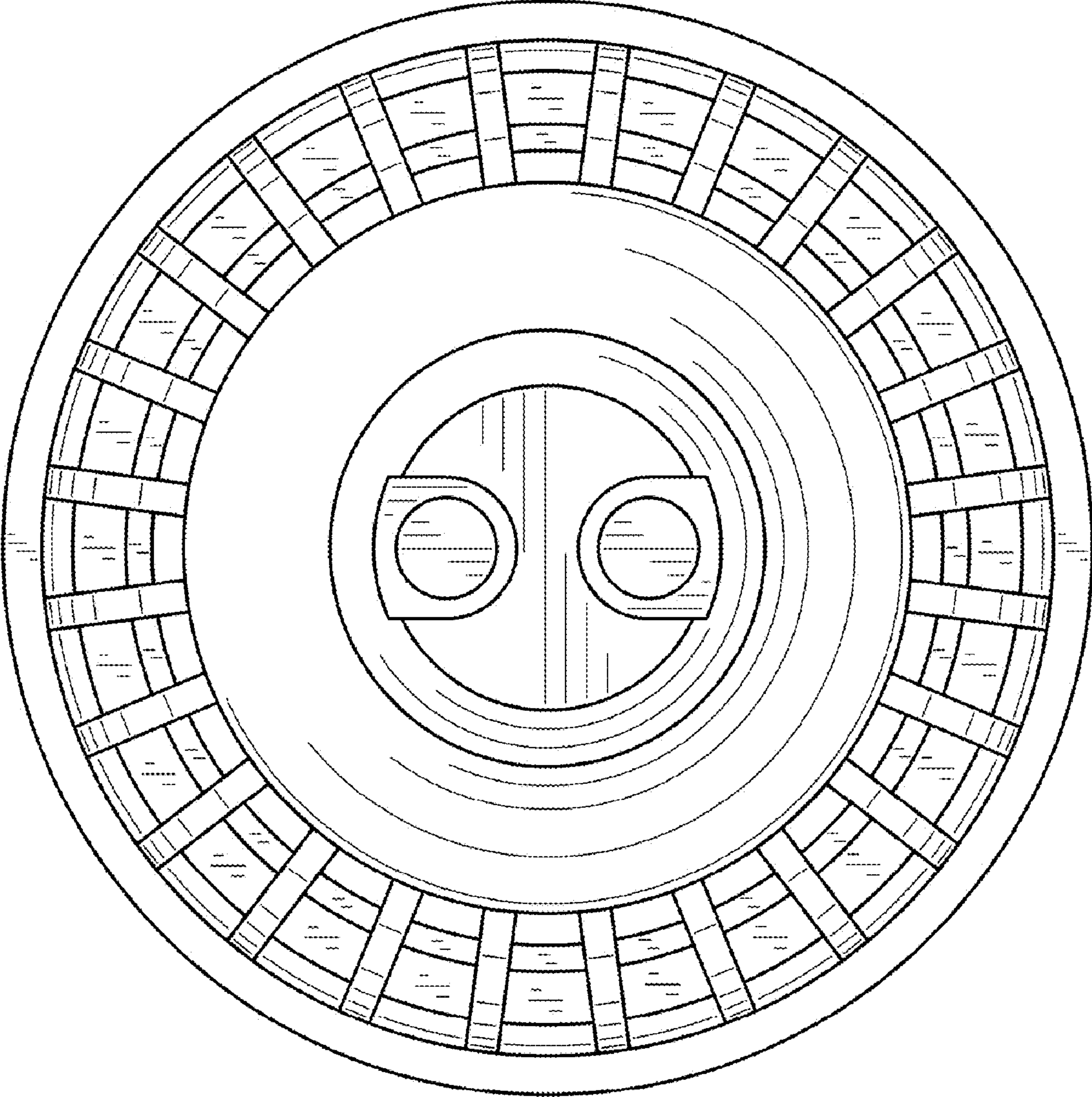


FIG. 5