



US00D645576S

(12) **United States Design Patent**
Trower et al.

(10) **Patent No.:** **US D645,576 S**

(45) **Date of Patent:** **** Sep. 20, 2011**

(54) **BUILDING PANEL**

(76) Inventors: **Stephen John Trower**, Iluka (AU);
Steven John Bedford, Scarborough
(AU)

(**) Term: **14 Years**

(21) Appl. No.: **29/381,826**

(22) Filed: **Dec. 23, 2010**

(30) **Foreign Application Priority Data**

Jun. 28, 2010 (AU) 12648/2010

(51) **LOC (9) Cl.** **25-01**

(52) **U.S. Cl.** **D25/122**

(58) **Field of Classification Search** D25/122;
52/536, 537, 586, 478, 588.1, 519, 526, 539,
52/541, 544, 592.1, 520, 586.2, 583.1
See application file for complete search history.

(56) **References Cited**

U.S. PATENT DOCUMENTS

3,583,123	A *	6/1971	Holmgren et al.	52/588.1
3,886,705	A *	6/1975	Cornland	52/588.1
4,441,291	A	4/1984	Sokoler et al.		
4,509,306	A	4/1985	Sokoler et al.		
4,580,373	A	4/1986	Bastiansen et al.		
5,725,201	A *	3/1998	Parth	256/24
6,568,144	B2 *	5/2003	Meredith	52/656.1
D585,568	S *	1/2009	Kikuchi	D25/122

FOREIGN PATENT DOCUMENTS

GB	1 272 729	5/1972
GB	1 511 189	5/1978
GB	1 528 874	10/1978
GB	2 243 170	10/1991

OTHER PUBLICATIONS

International Search Report mailed Jul. 22, 2009.

* cited by examiner

Primary Examiner — Doris Clark

(74) *Attorney, Agent, or Firm* — Nixon & Vanderhye P.C.

(57) **CLAIM**

We claim the ornamental design for a building panel, as shown and described.

DESCRIPTION

FIG. 1 is a perspective view of the top and front side of the building panel according to our design;

FIG. 2 is a perspective view of the bottom and front side of the building panel;

FIG. 3 is a first end view of the building panel, where the opposite end view of the building panel is a mirror image of the first end view;

FIG. 4 is a front view of the building panel;

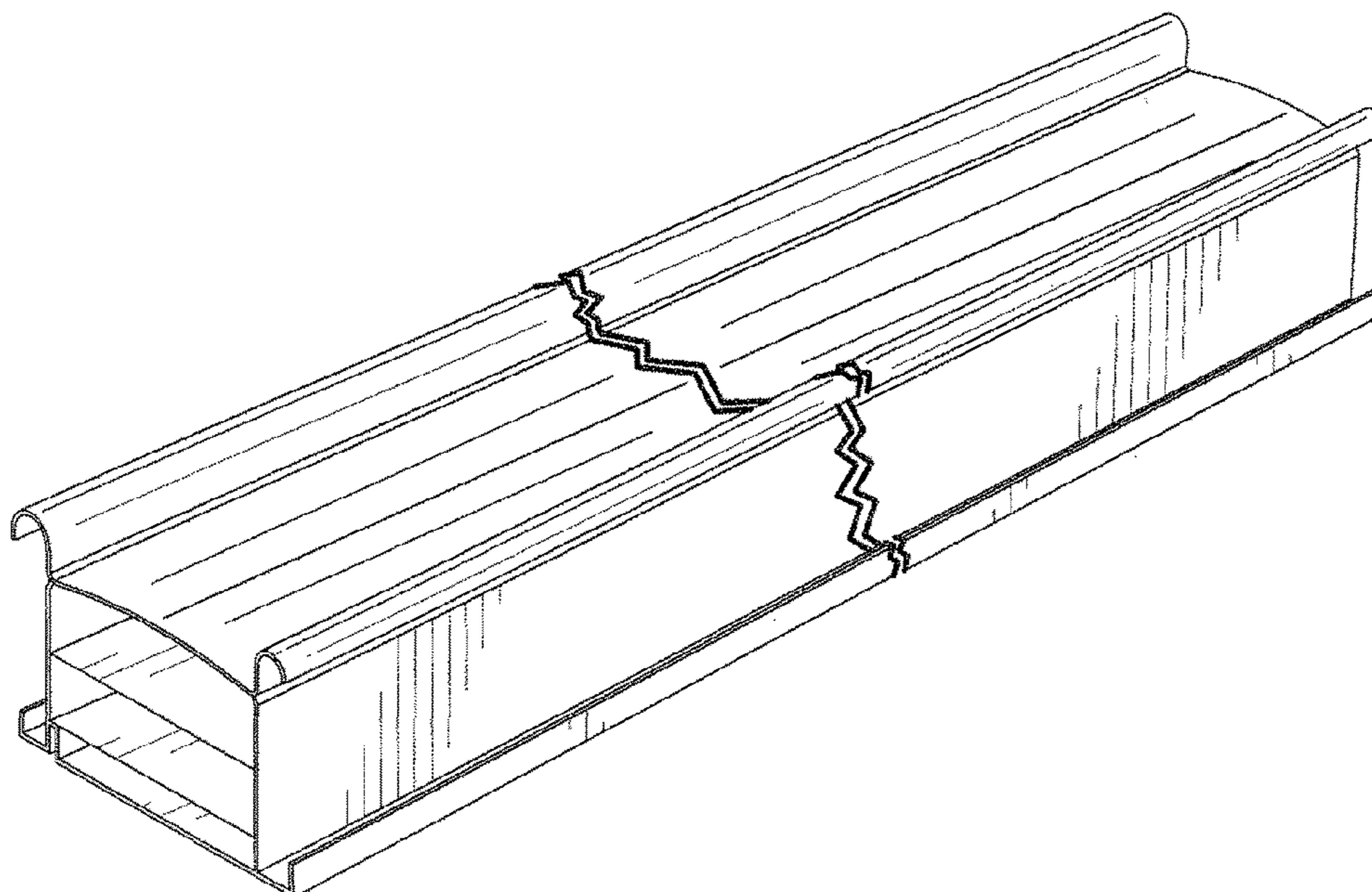
FIG. 5 is a rear view of the building panel;

FIG. 6 is a top view of the building panel; and,

FIG. 7 is a bottom view of the building panel.

The claimed design is broken in the center to indicate indeterminate length.

1 Claim, 3 Drawing Sheets



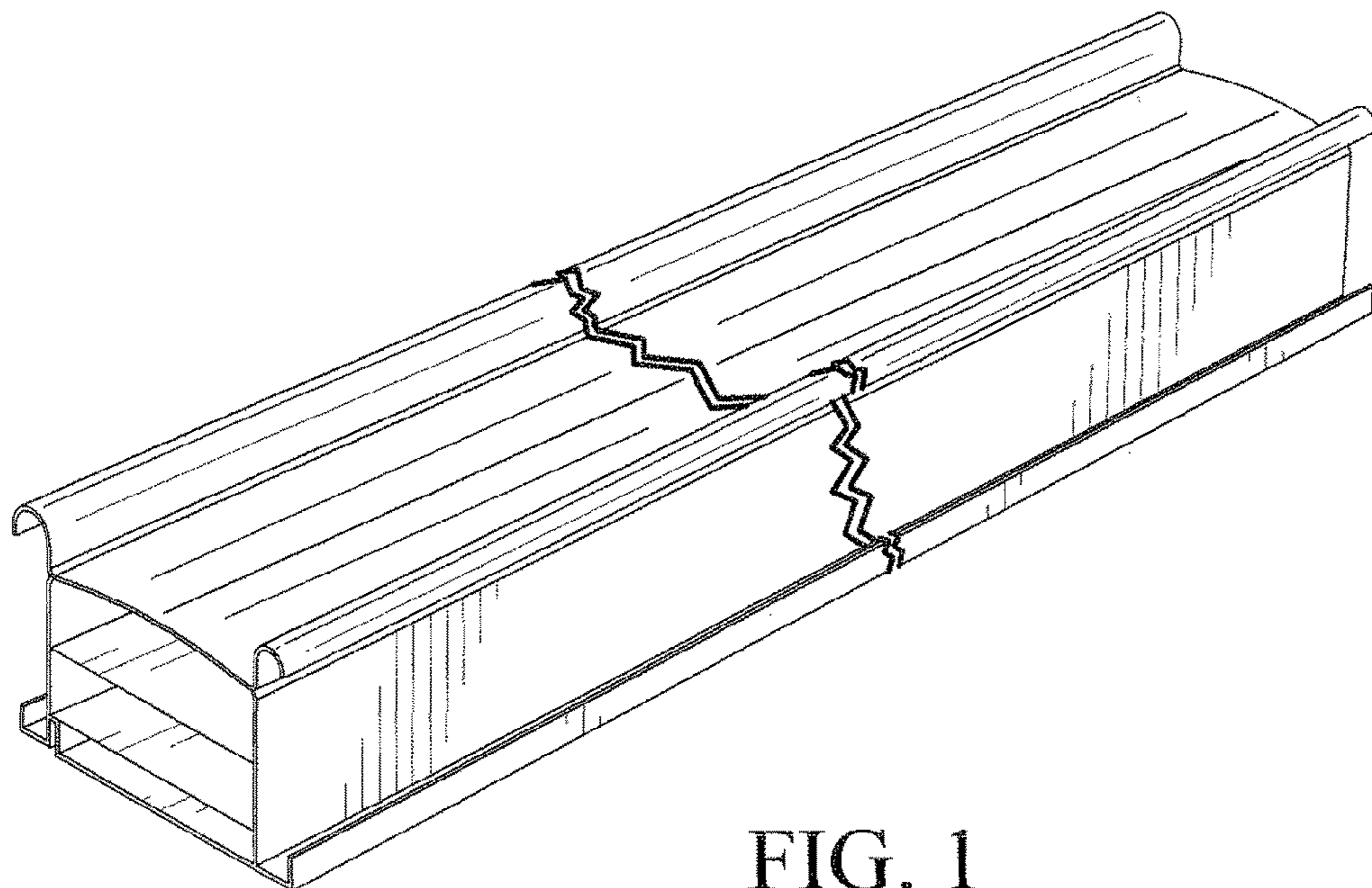


FIG. 1

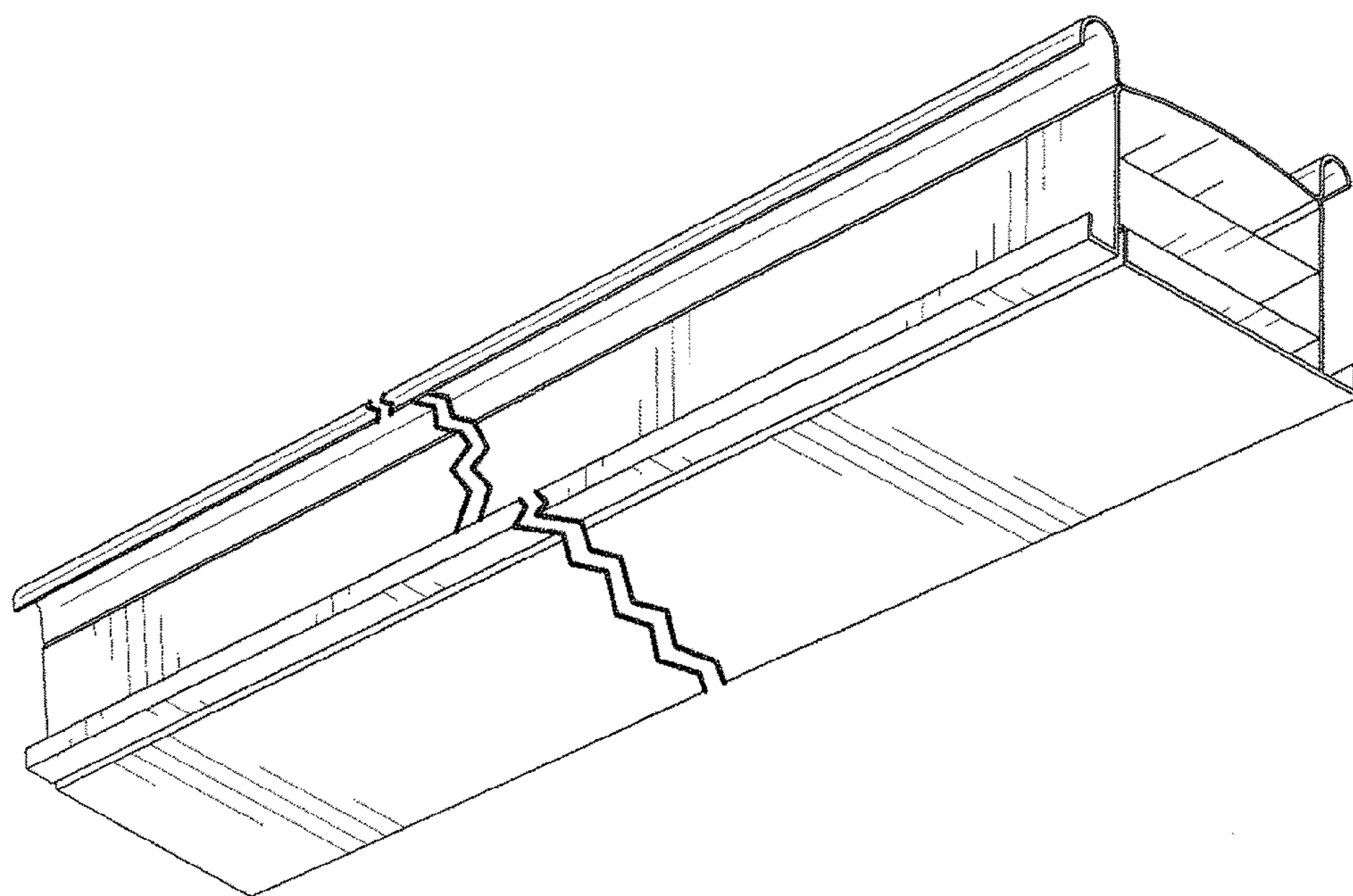


FIG. 2

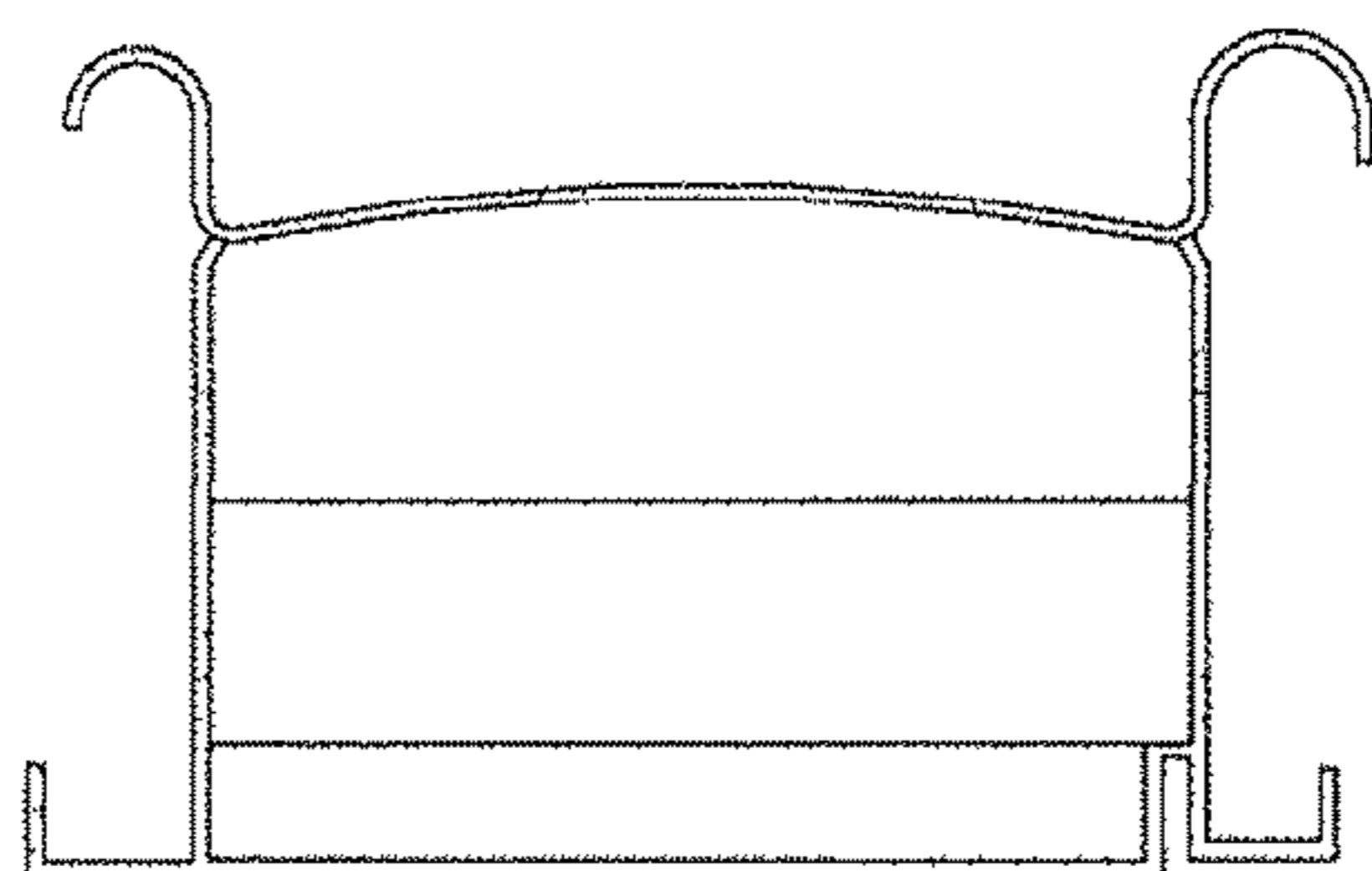


FIG. 3

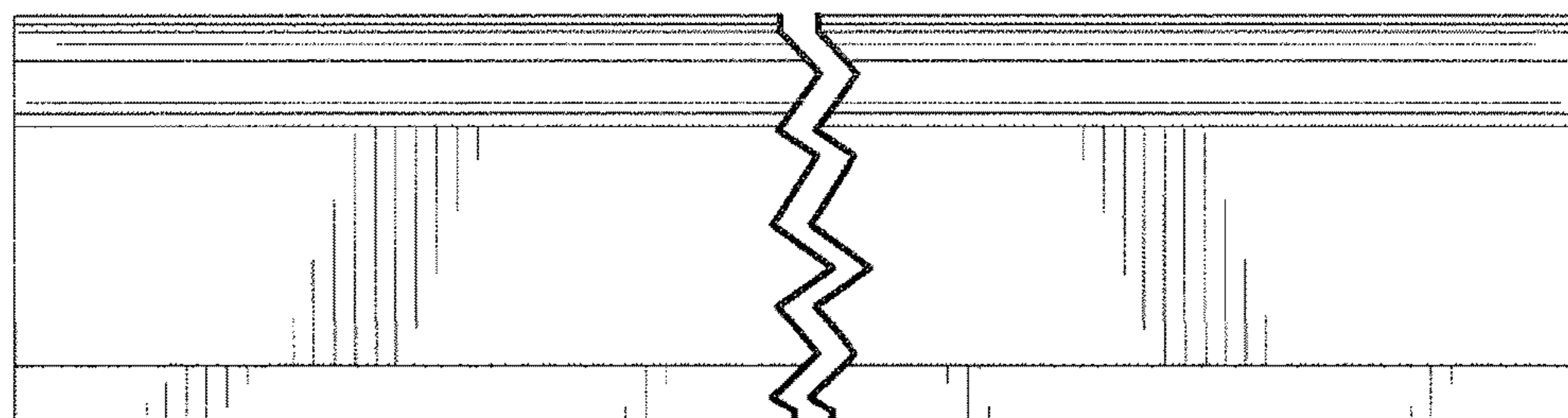


FIG. 4

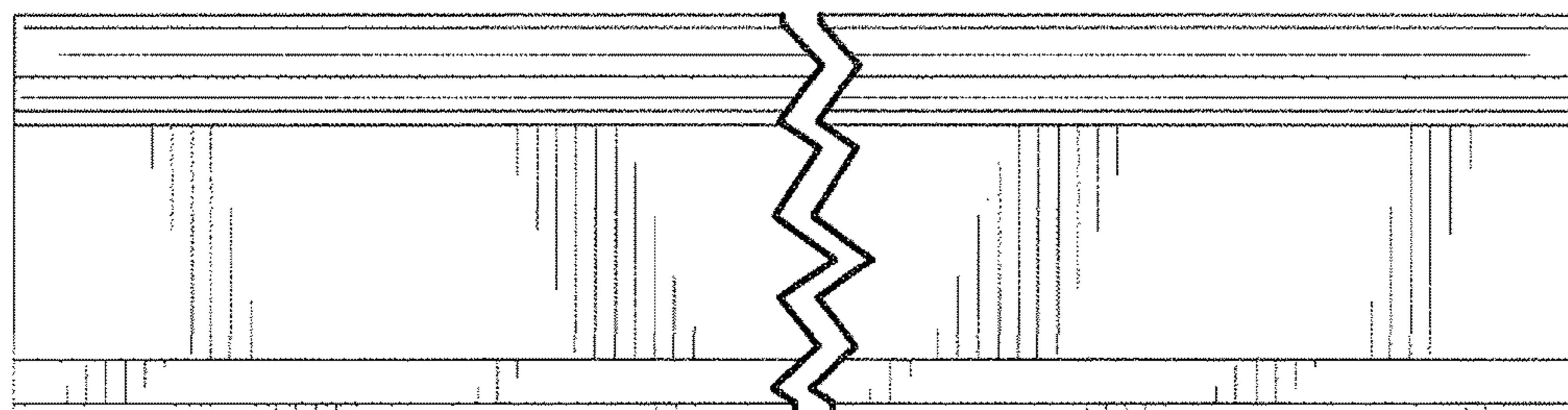


FIG. 5

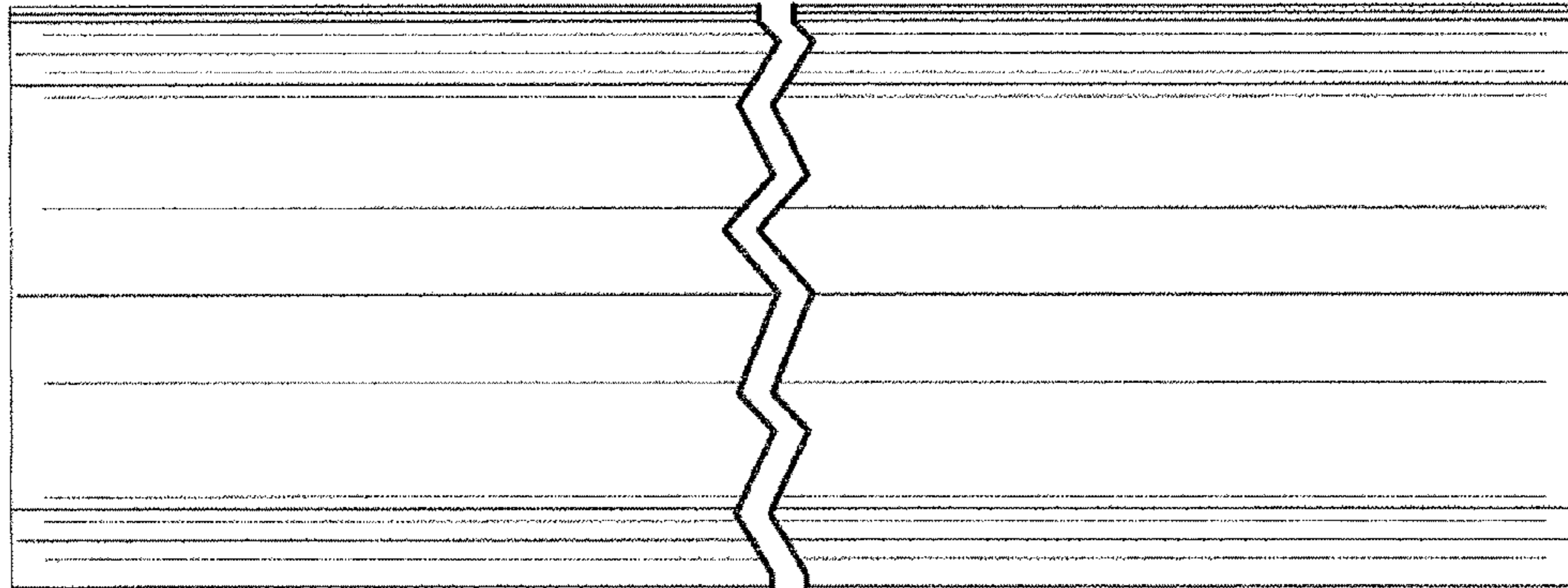


FIG. 6

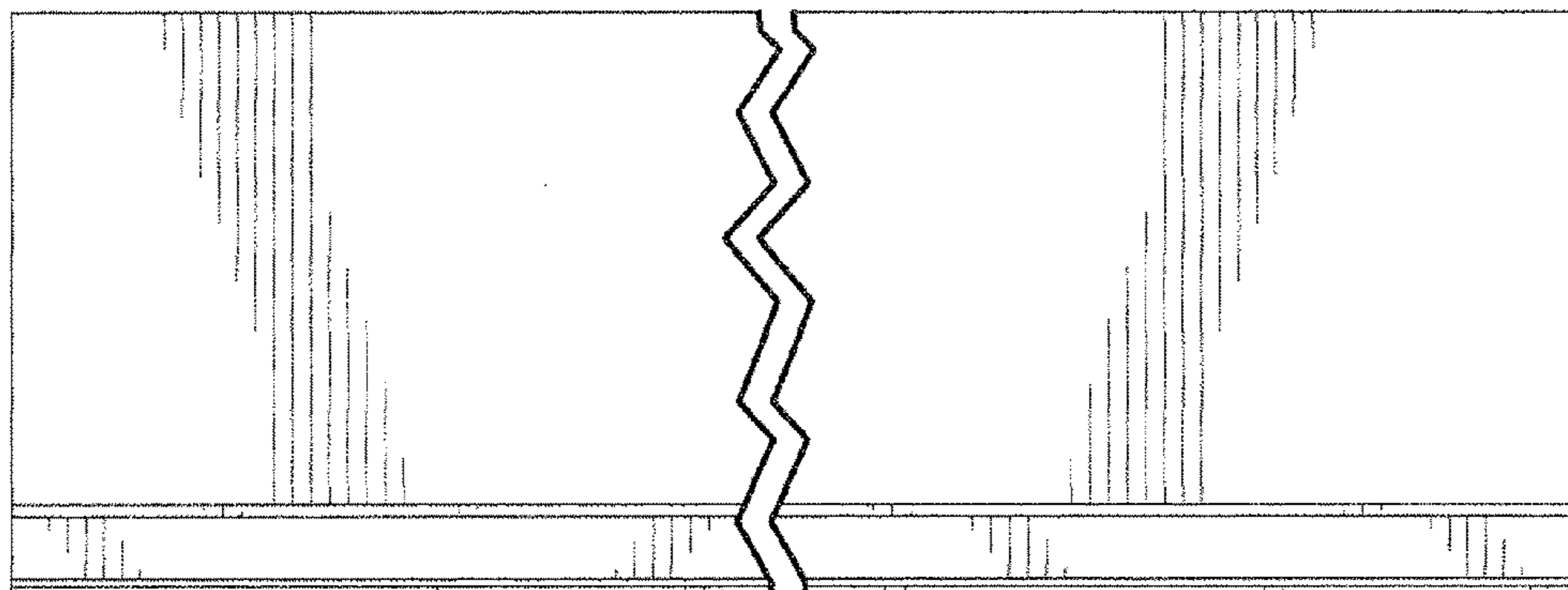


FIG. 7