



US00D645566S

(12) **United States Design Patent**
Lee

(10) **Patent No.:** **US D645,566 S**

(45) **Date of Patent:** **** Sep. 20, 2011**

(54) **AIR PISTON FOR BUBBLE GENERATOR**

(75) Inventor: **Yong-Dae Lee**, Seoul (KR)

(73) Assignee: **Apollo Industrial Co., Ltd.**, Siheung-si, Gyeonggi-do (KR)

(**) Term: **14 Years**

(21) Appl. No.: **29/366,357**

(22) Filed: **Jul. 23, 2010**

(51) **LOC (9) Cl.** **23-02**

(52) **U.S. Cl.** **D24/201**

(58) **Field of Classification Search** D24/201,
D24/204, 205; D23/277; 601/154-158,
601/168; 4/541.1-541.6, 547, 578.1, 579
See application file for complete search history.

(56) **References Cited**

U.S. PATENT DOCUMENTS

3,336,921	A *	8/1967	Lloyd	D24/201
D278,082	S *	3/1985	Cowley	D24/201
4,502,168	A *	3/1985	Jaworski	4/541.6
D305,688	S *	1/1990	Heiligenstein et al.	D24/201
4,918,768	A *	4/1990	DeSousa et al.	4/541.5
5,003,646	A *	4/1991	Stamp et al.	4/541.6
D387,172	S *	12/1997	del Fresno	D24/201
5,930,852	A *	8/1999	Gravatt et al.	4/541.1
6,277,086	B1 *	8/2001	Wu	601/168
6,293,963	B1 *	9/2001	Wey	D24/204

D460,192	S *	7/2002	Collins et al.	D24/204
6,453,484	B1 *	9/2002	Pinciario	4/541.6
7,108,202	B1 *	9/2006	Chang	4/541.1

* cited by examiner

Primary Examiner — David Muller

(74) *Attorney, Agent, or Firm* — Kile Park Goekjian Reed & McManus PLLC

(57) **CLAIM**

I claim, the ornamental design for an air piston for bubble generator, as shown and described.

DESCRIPTION

FIG. 1 is a perspective view of an air piston for bubble generator, showing my new design;
 FIG. 2 is a front elevational view thereof;
 FIG. 3 is a rear elevational view thereof;
 FIG. 4 is a left side elevational view thereof;
 FIG. 5 is a right side elevational view thereof;
 FIG. 6 is a top plan view thereof;
 FIG. 7 is a bottom plan view thereof;
 FIG. 8 is a perspective view showing the bottom of the air piston for bubble generator;
 FIG. 9 is a cross-sectional view thereof taken along line '9-9' in FIG. 6; and,
 FIG. 10 is a perspective view showing the '9-9' sectional view of the air piston for bubble generator in FIG. 9.

1 Claim, 5 Drawing Sheets

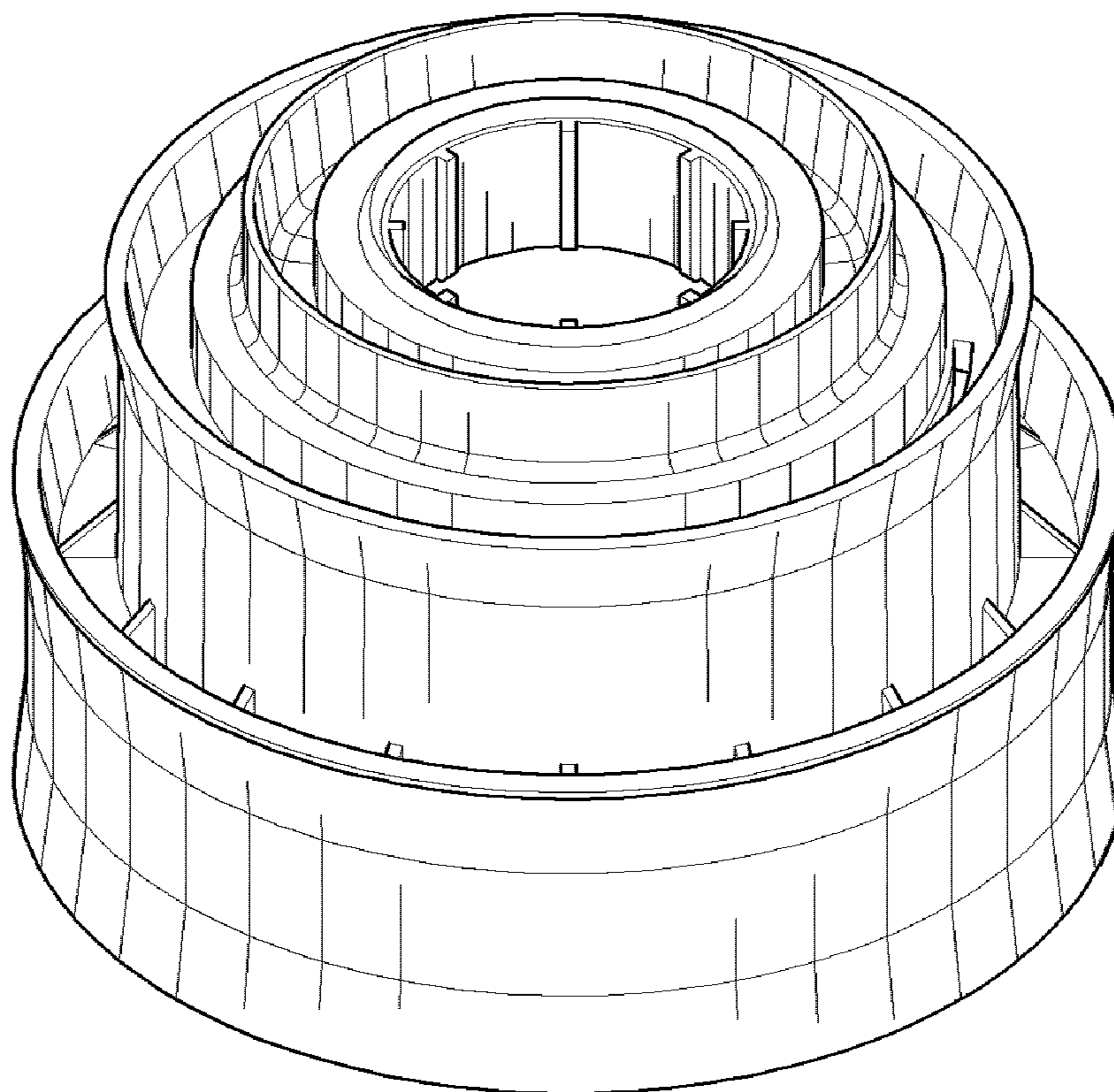


Fig. 1

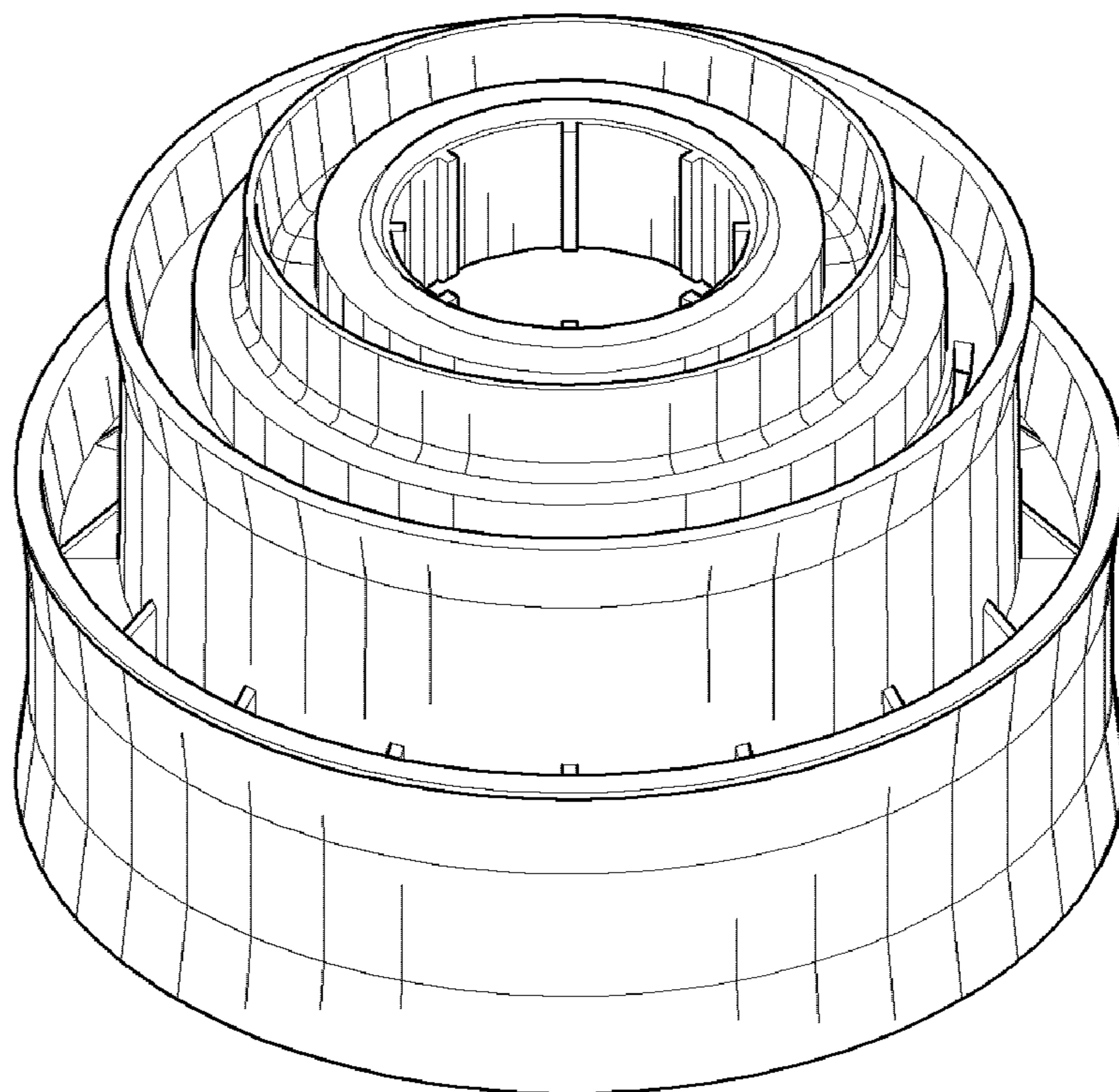


Fig. 2

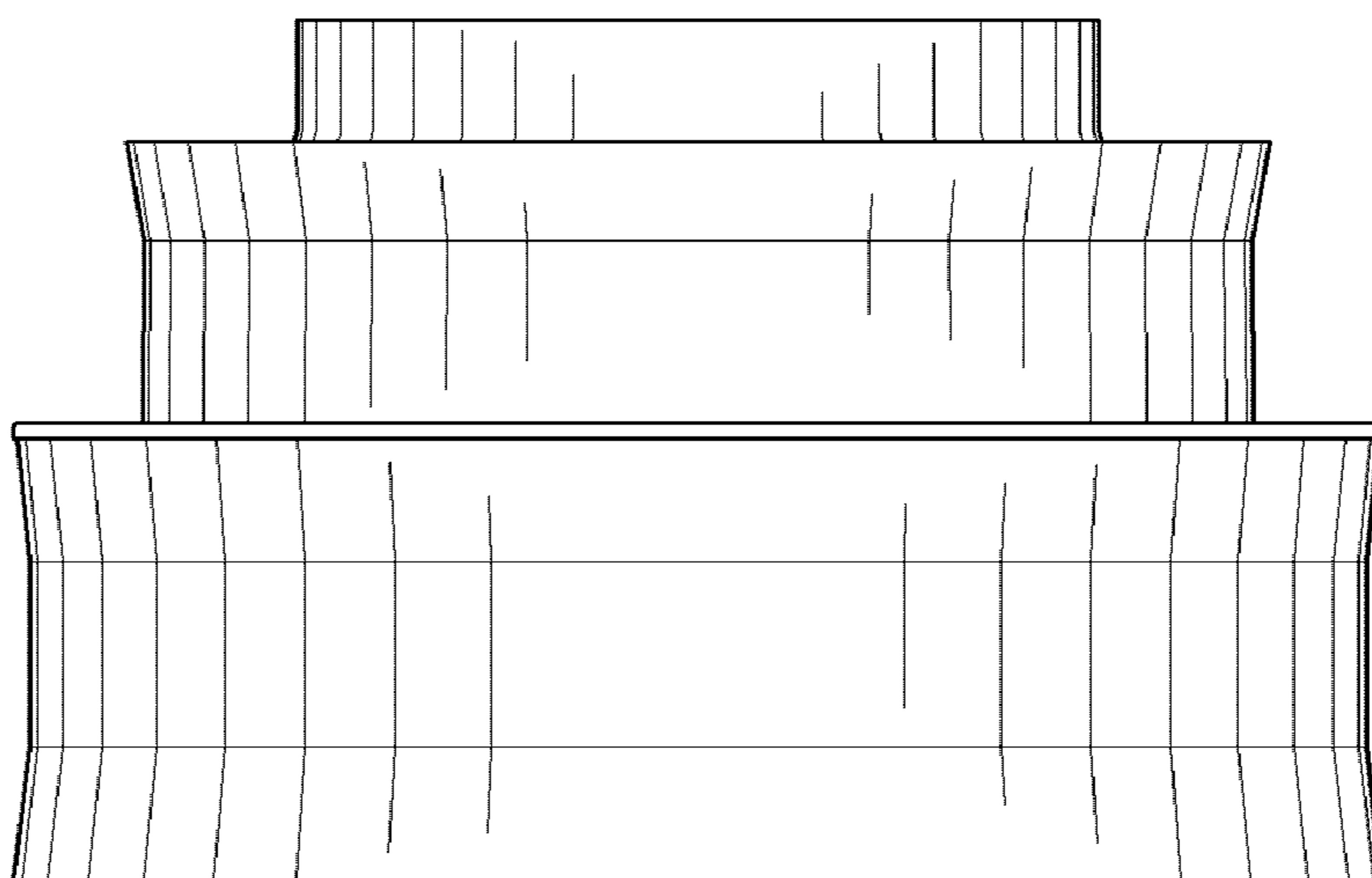


Fig. 3

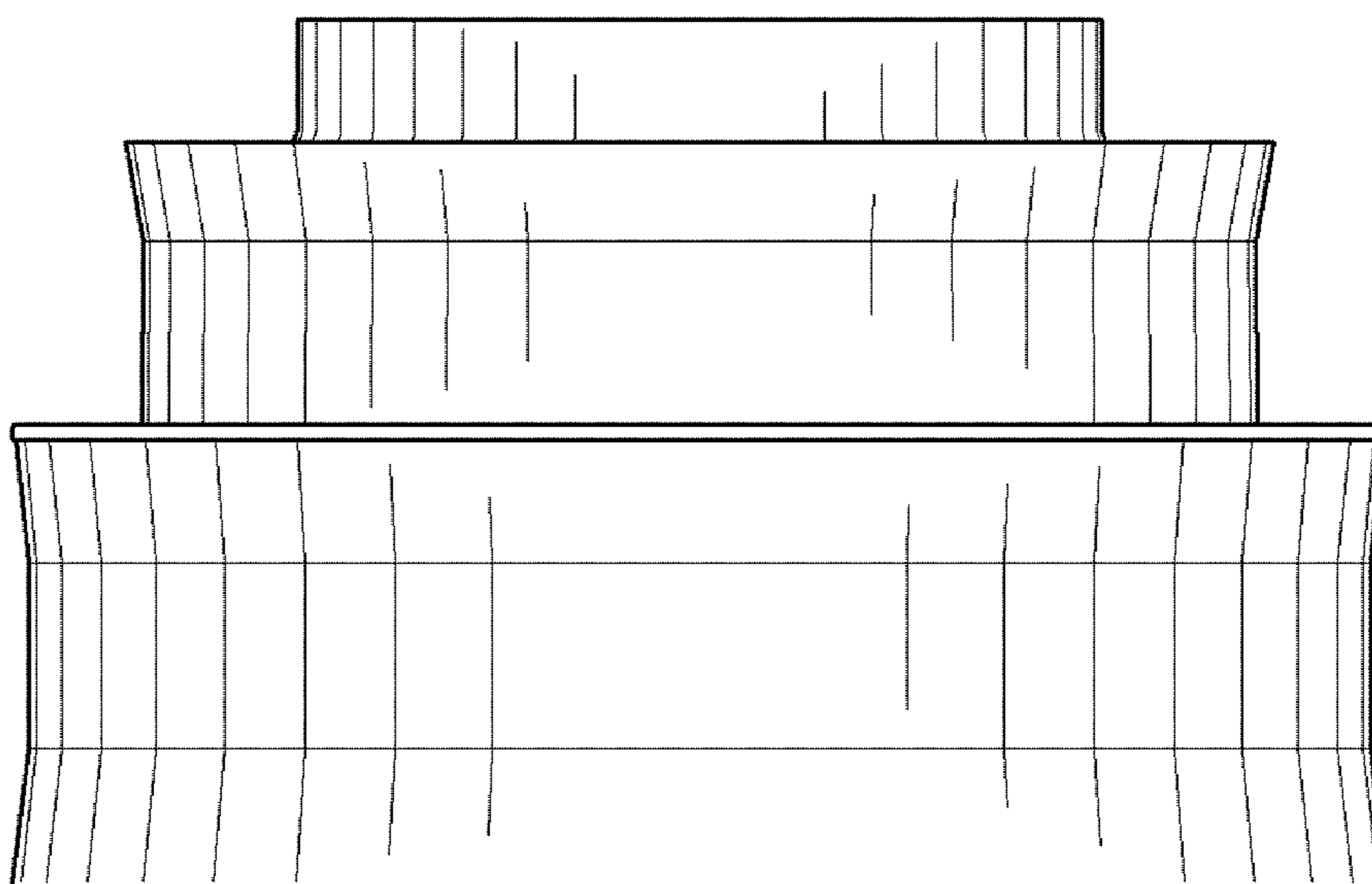


Fig. 4

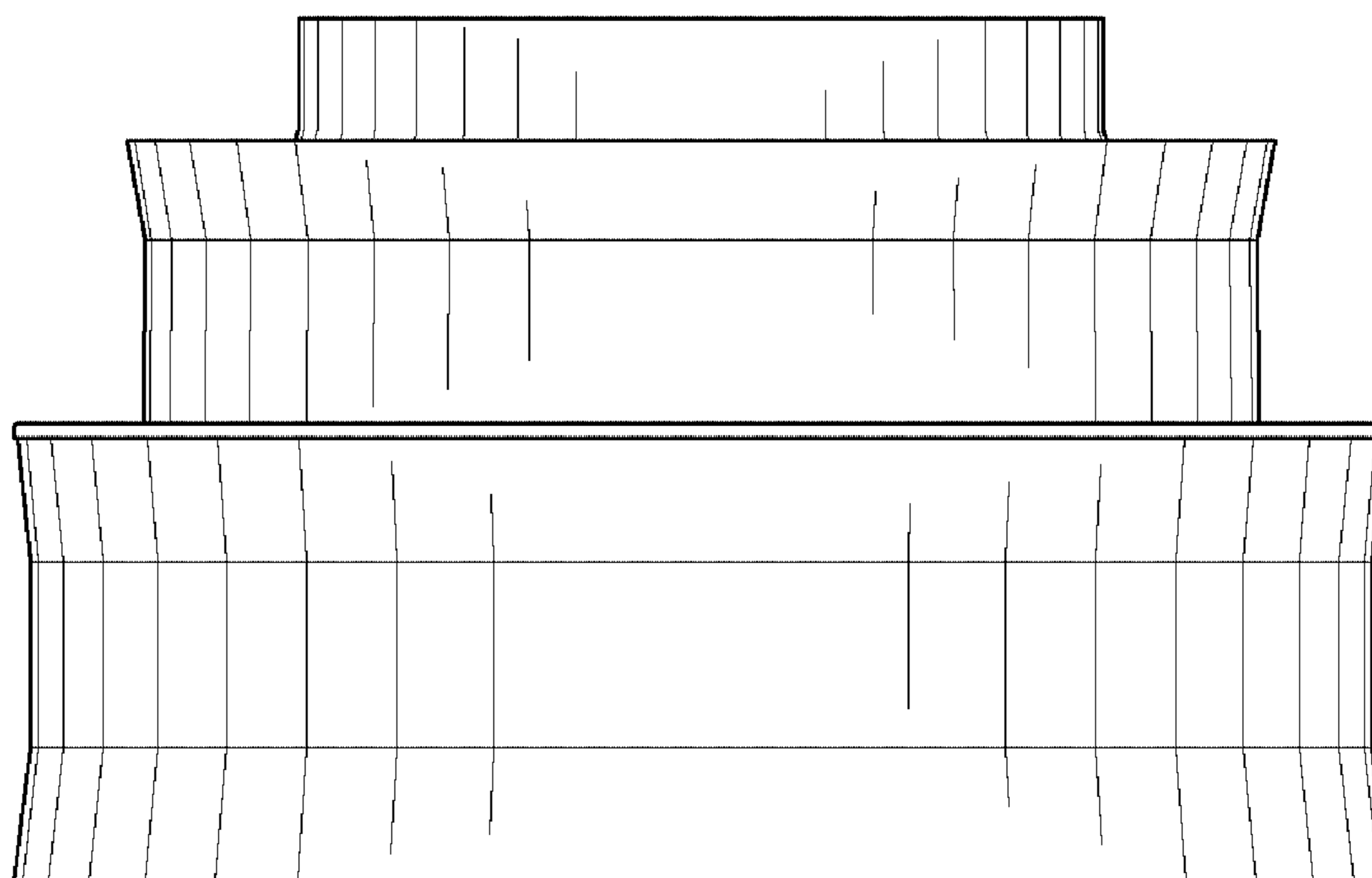


Fig. 5

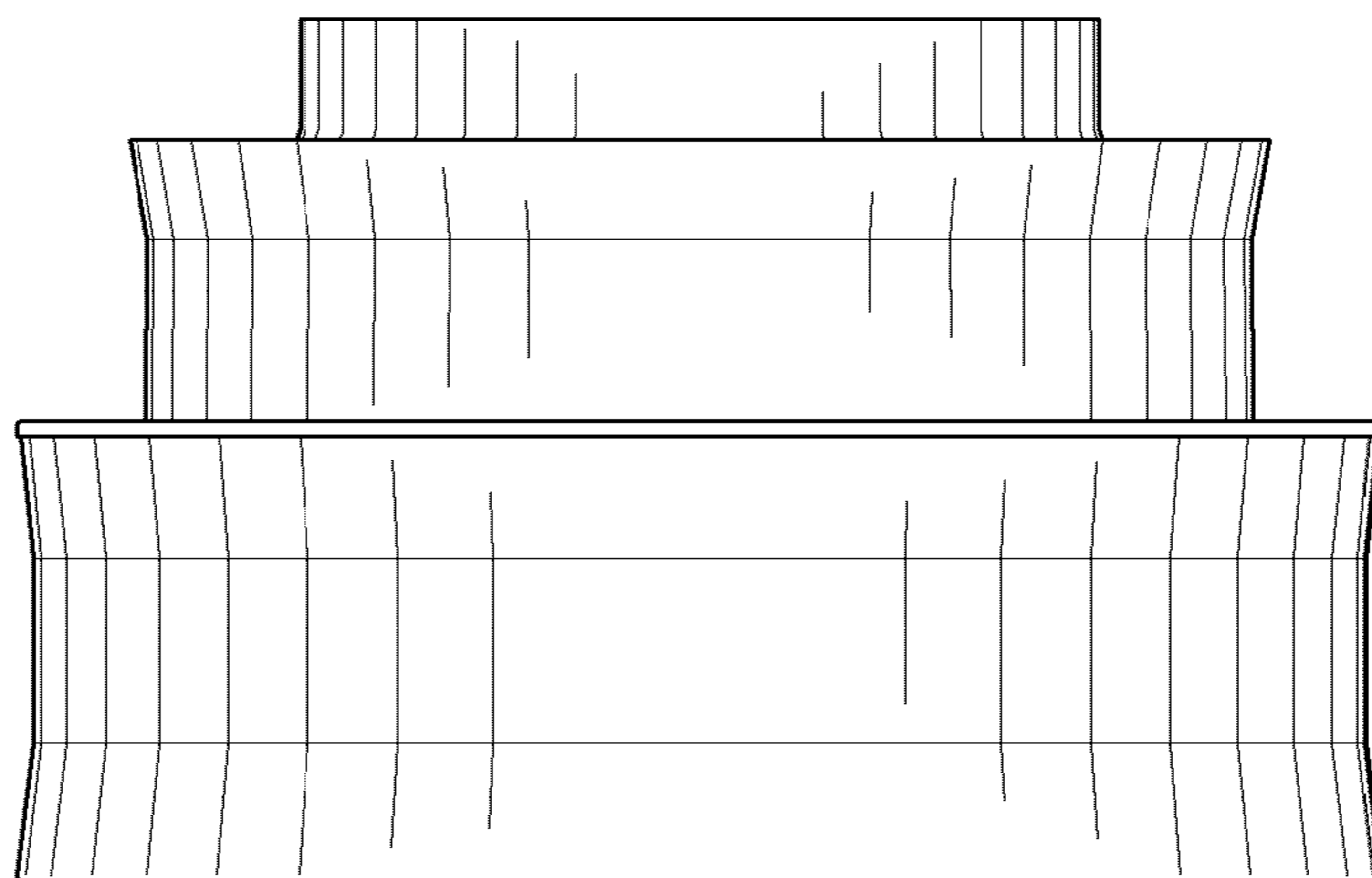


Fig. 6

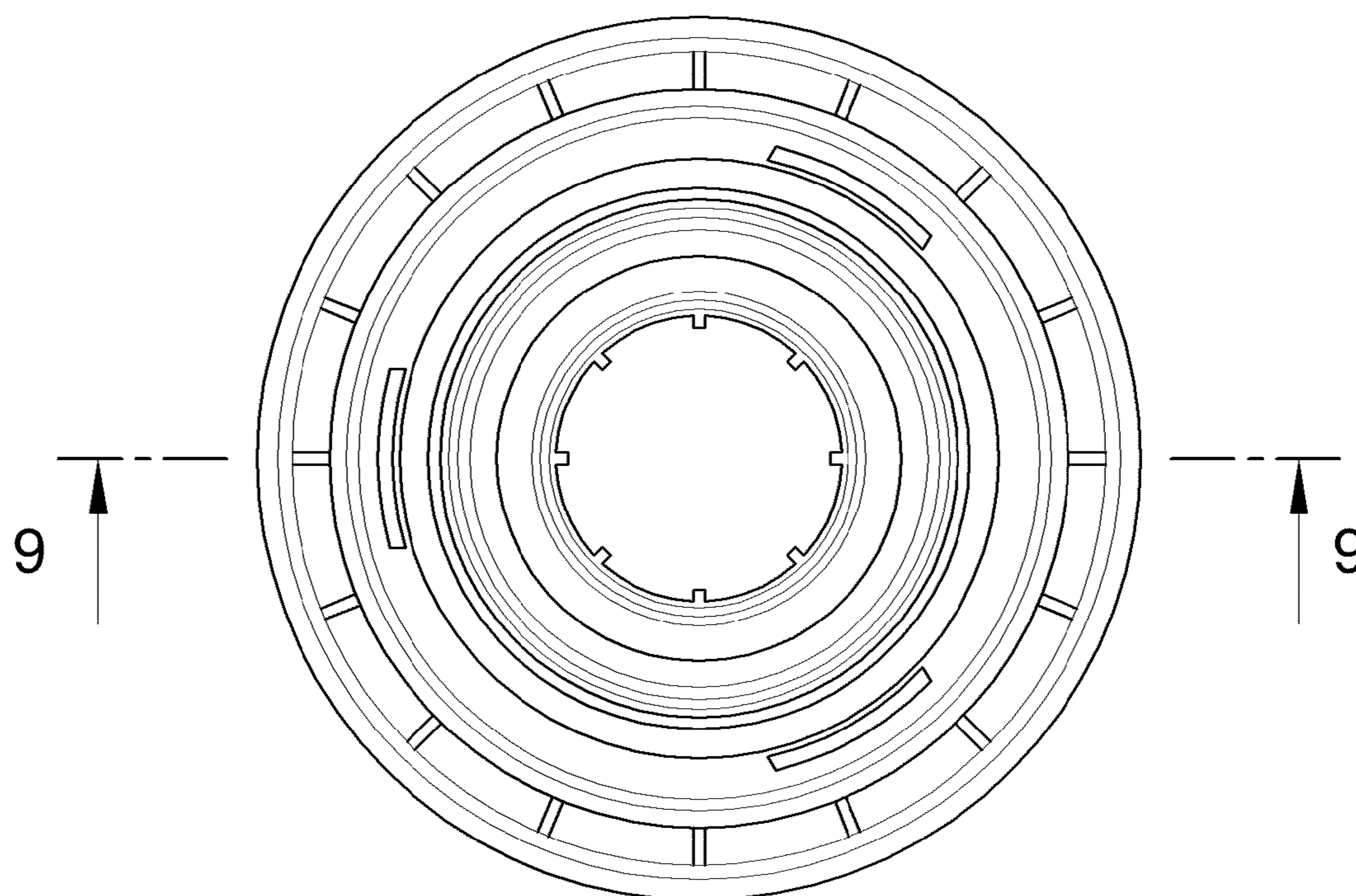


Fig. 7

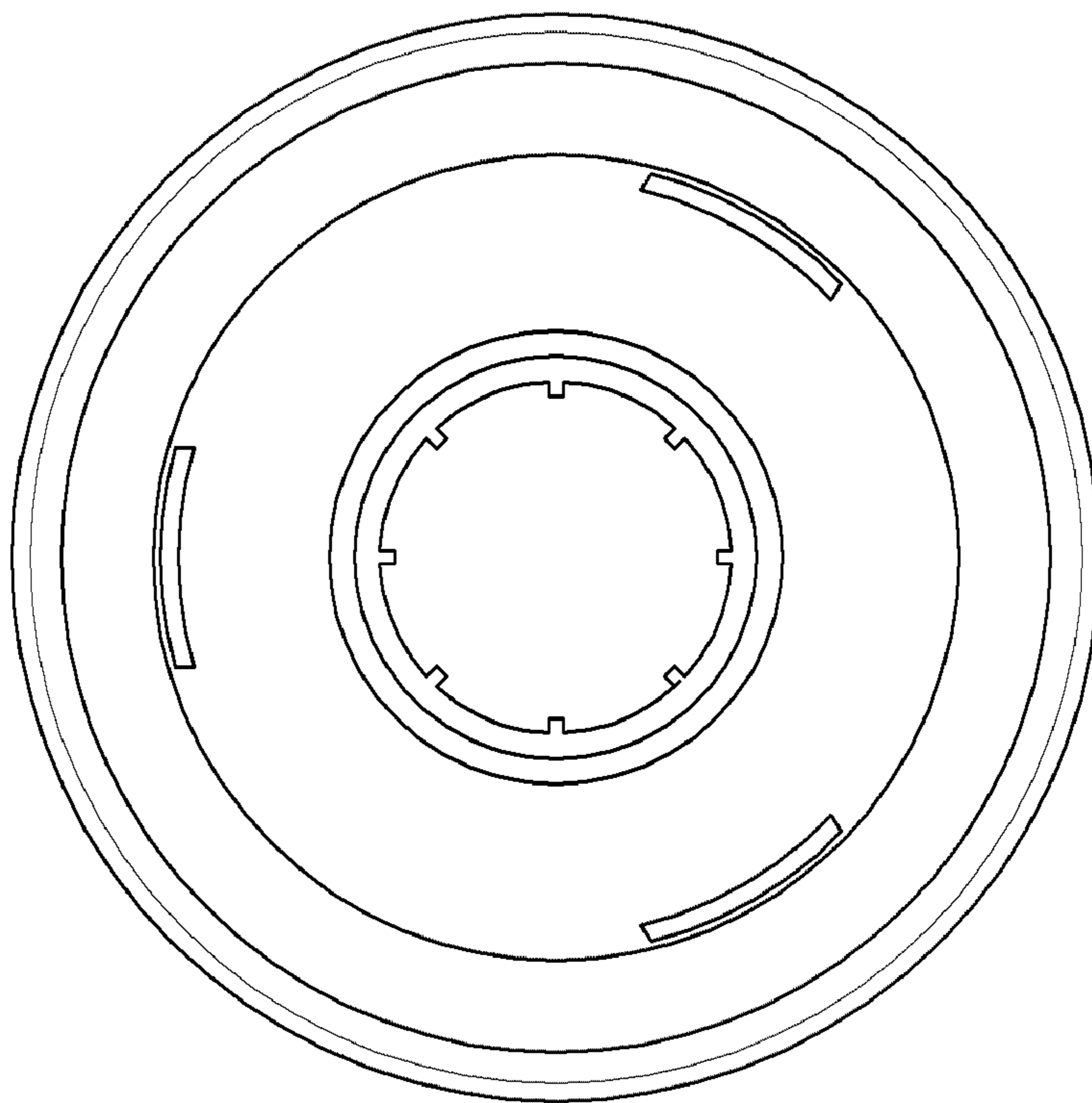


Fig. 8

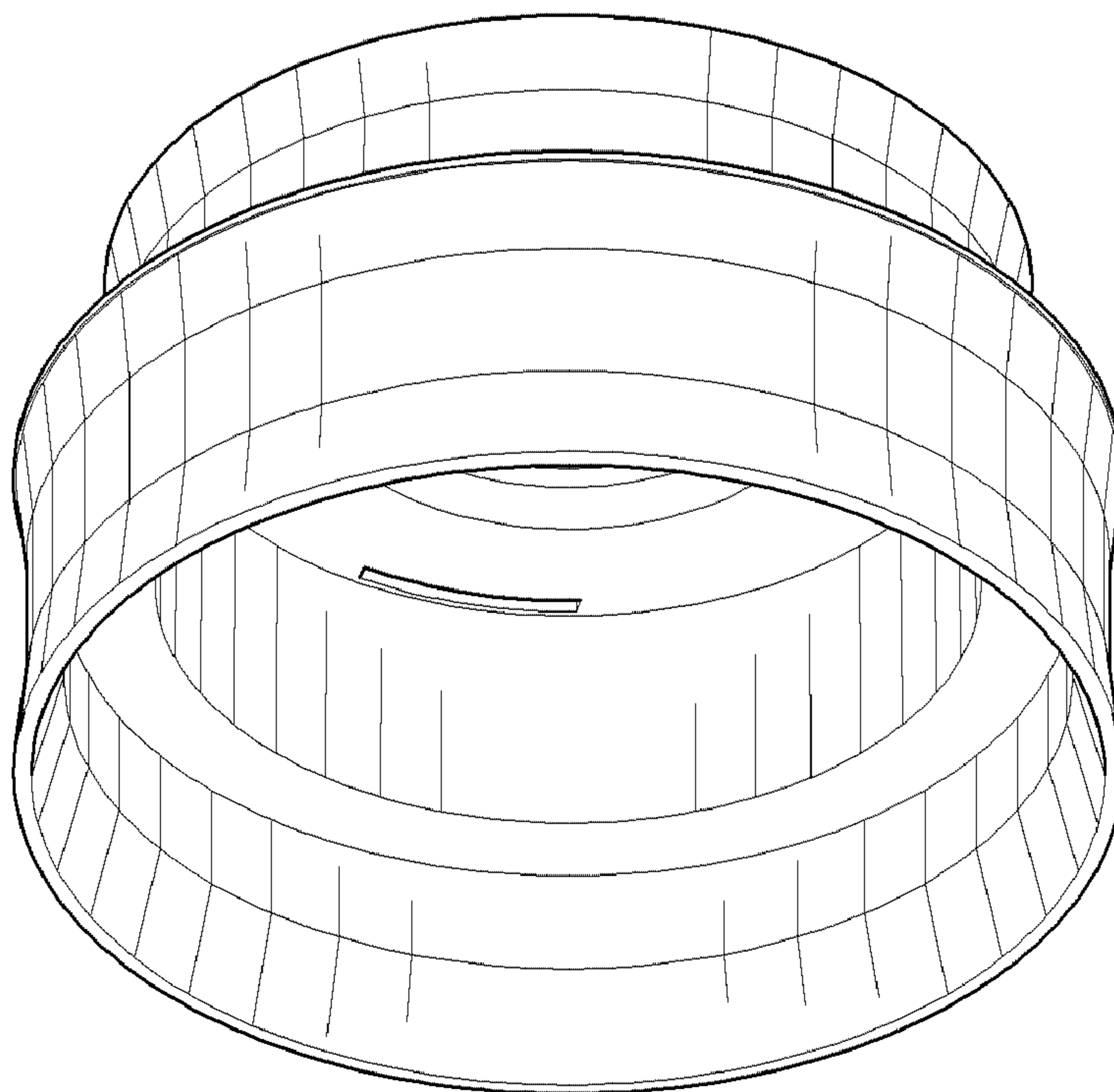


Fig. 9

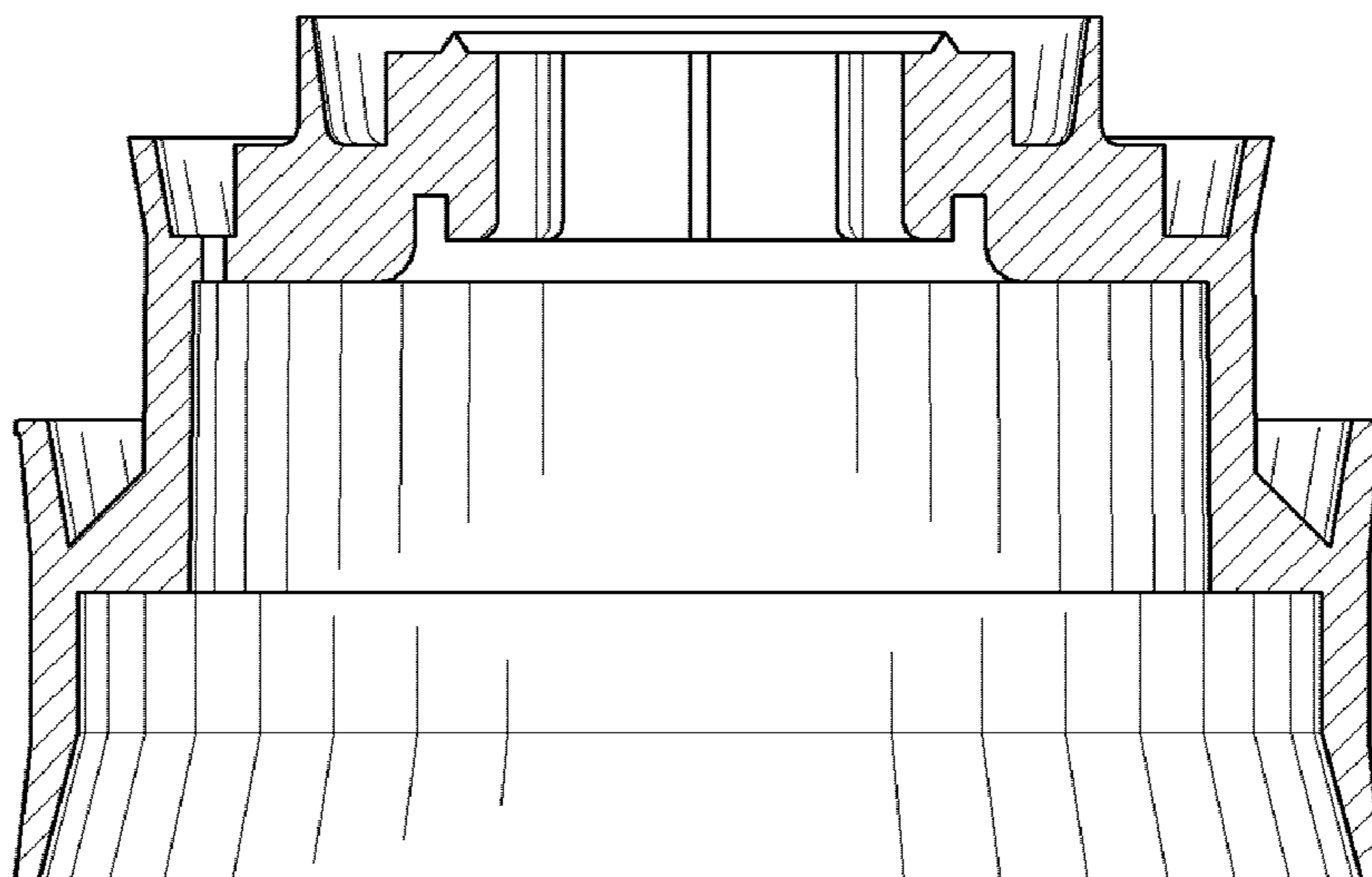


Fig. 10

