

US00D645563S

(12) **United States Design Patent**
Chronister et al.

(10) **Patent No.:** **US D645,563 S**
(45) **Date of Patent:** **** Sep. 20, 2011**

(54) **DENTAL DEVICE CONNECTION ADAPTER**

(75) Inventors: **Benjamin Chronister**, York, PA (US);
Jeremy Kile, York, PA (US)

(73) Assignee: **Dentsply International, Inc.**, York, PA (US)

(**) Term: **14 Years**

(21) Appl. No.: **29/359,163**

(22) Filed: **Apr. 7, 2010**

Related U.S. Application Data

(63) Continuation-in-part of application No. 12/004,145, filed on Dec. 20, 2007, now Pat. No. 7,955,079.

(51) **LOC (9) Cl.** **24-03**

(52) **U.S. Cl.** **D24/176**

(58) **Field of Classification Search** D24/155,
D24/156, 180, 176, 152; 433/173, 176, 125,
433/126; 606/304, 74, 72; D8/394-399.349

See application file for complete search history.

(56) **References Cited**

U.S. PATENT DOCUMENTS

D157,122	S	*	2/1950	Blake et al.	D8/349
D187,243	S	*	2/1960	Pinson	D8/396
2,925,282	A	*	2/1960	Borsetti	279/123
D203,921	S	*	2/1966	Terwilliger	D8/396
3,433,118	A	*	3/1969	Ward	411/340
D241,520	S	*	9/1976	Fujita et al.	D8/397
D286,978	S	*	12/1986	Cogburn	D8/396

5,336,089	A	*	8/1994	Sakurai	433/126
5,749,728	A	*	5/1998	Bailey	433/125
D422,898	S	*	4/2000	Hussaini	D8/397
D432,403	S	*	10/2000	Svensson	D8/394
6,461,981	B1	*	10/2002	Chang	438/769
6,527,552	B2	*	3/2003	Loddeke et al.	433/125
D484,785	S	*	1/2004	Plumer	D8/397
6,695,557	B2	*	2/2004	Hove et al.	411/429
D504,141	S	*	4/2005	Charland et al.	D15/139
7,510,396	B2	*	3/2009	Lee et al.	433/125
D591,145	S	*	4/2009	Kosunen et al.	D8/396
D594,318	S	*	6/2009	Fell et al.	D8/396
D616,101	S	*	5/2010	Chronister et al.	D24/176
D616,989	S	*	6/2010	Chronister et al.	D24/176

* cited by examiner

Primary Examiner — Ian Simmons

Assistant Examiner — Wan Laymon

(74) *Attorney, Agent, or Firm* — Douglas J. Hura; David A. Zdurne; Leana Levin

(57) **CLAIM**

The ornamental design for a dental device connection adapter, as shown and described is claimed.

DESCRIPTION

FIG. 1 is an isometric view of a dental device connection adapter showing our new design;

FIG. 2 is a top view thereof;

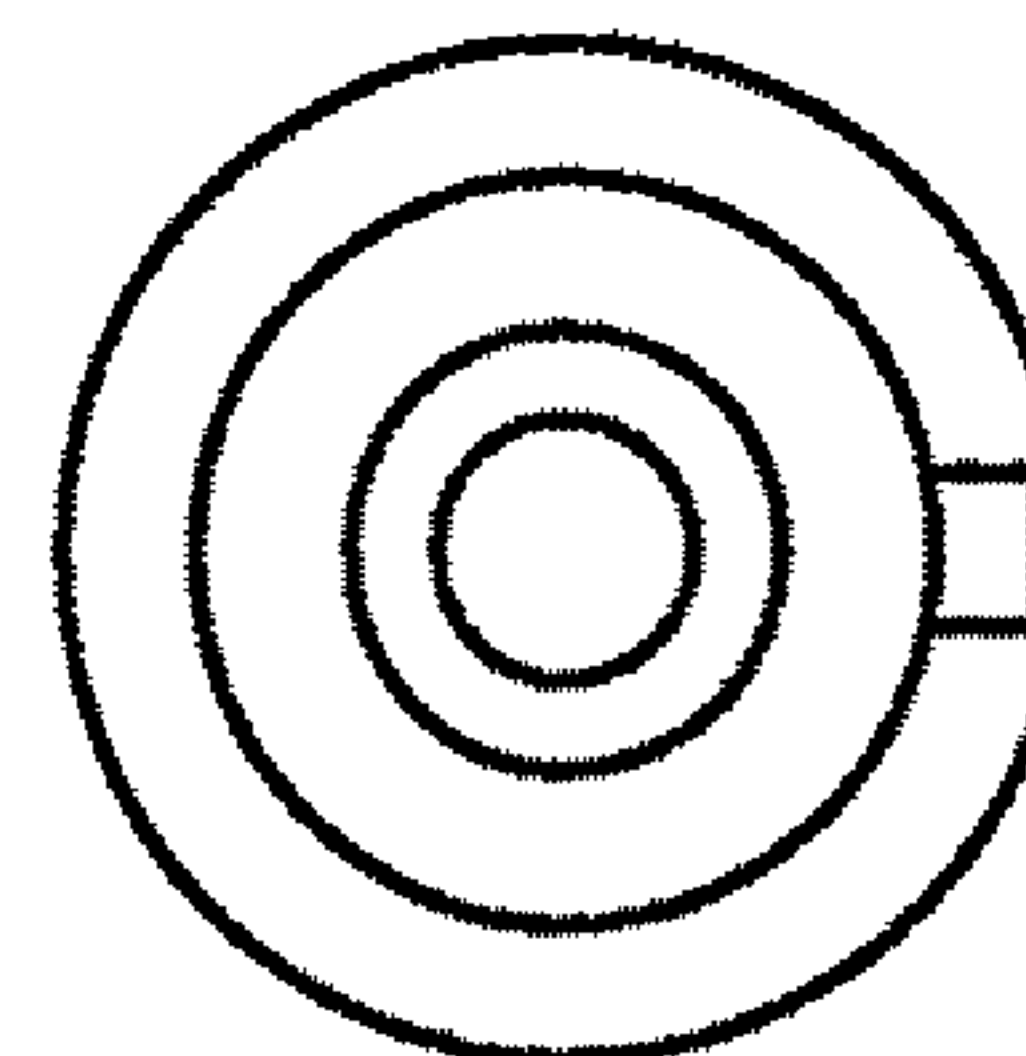
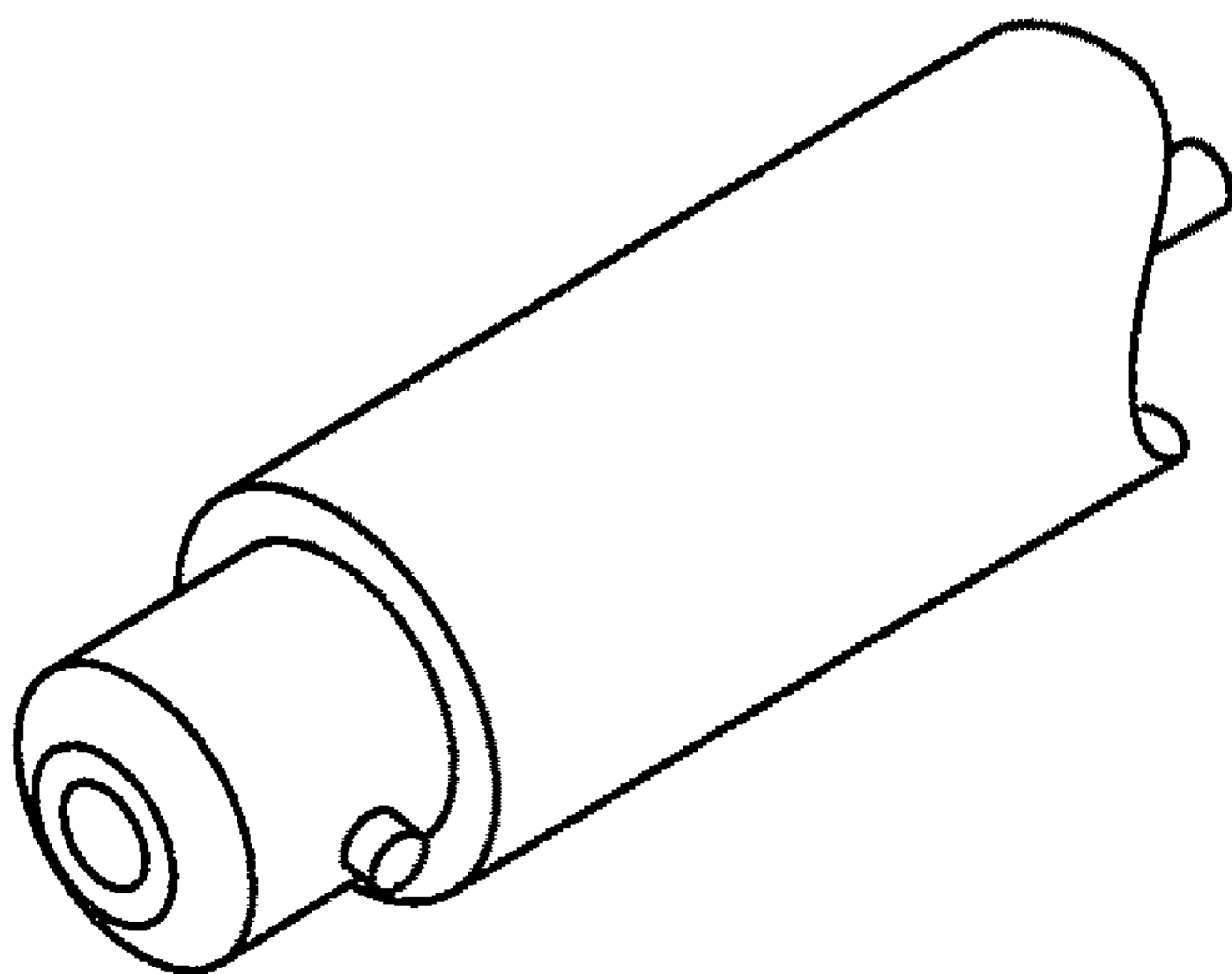
FIG. 3 is a first side view thereof;

FIG. 4 is a second side view thereof;

FIG. 5 is a front view thereof; and,

FIG. 6 is a rear view thereof.

1 Claim, 2 Drawing Sheets



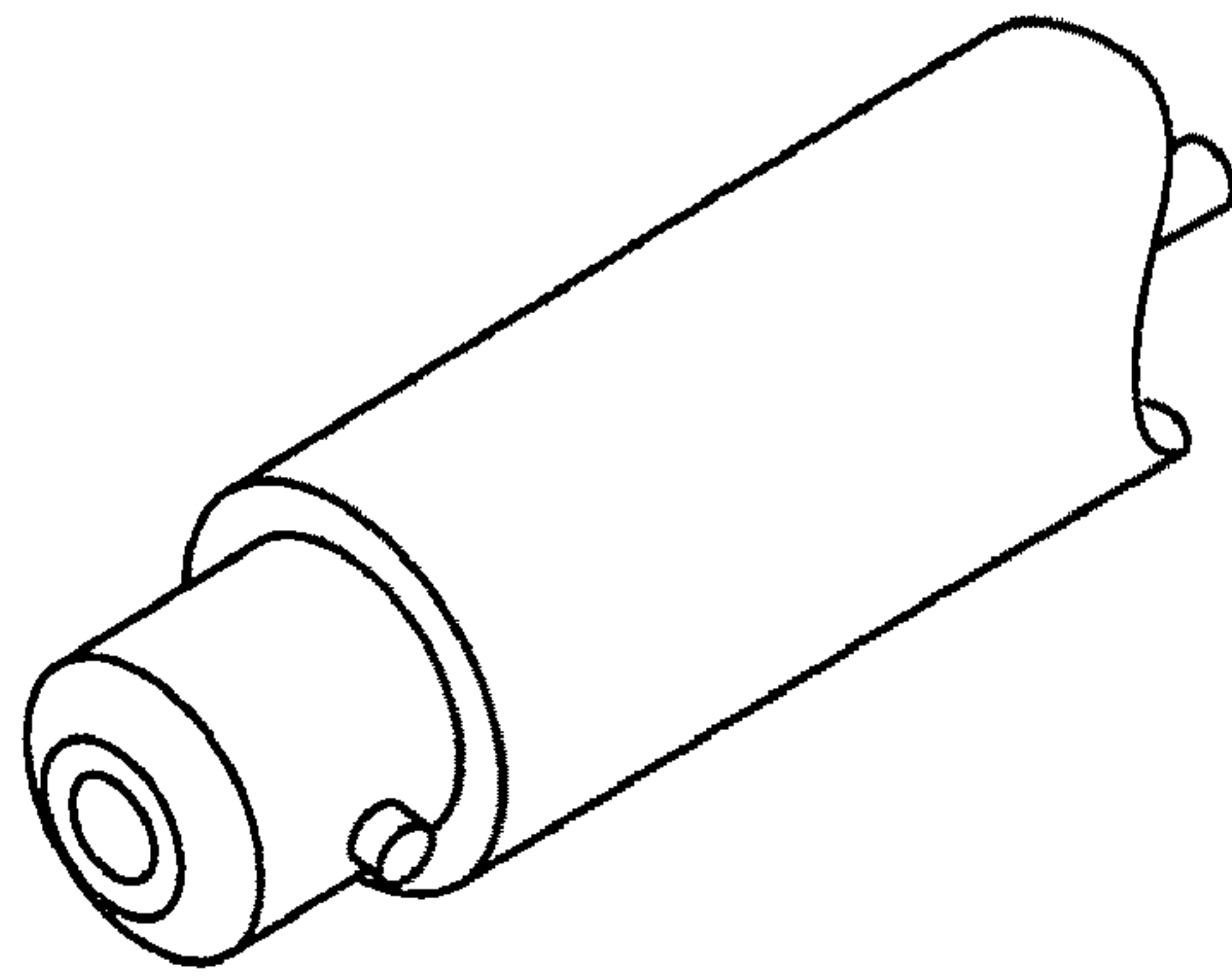


FIG. 1

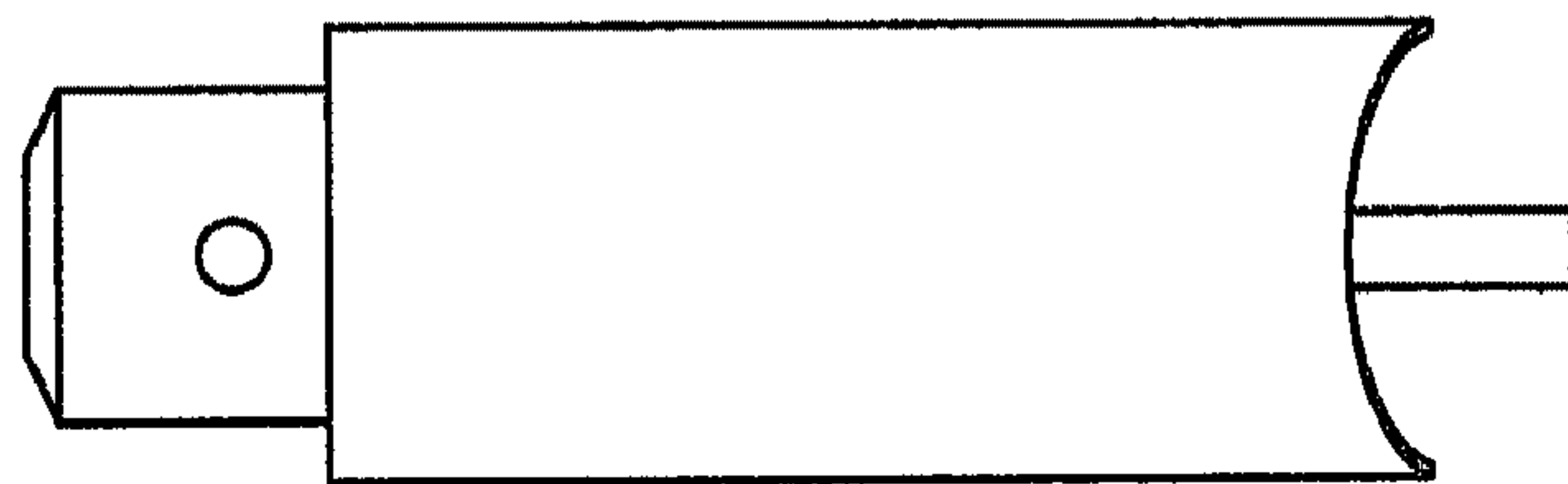


FIG. 2

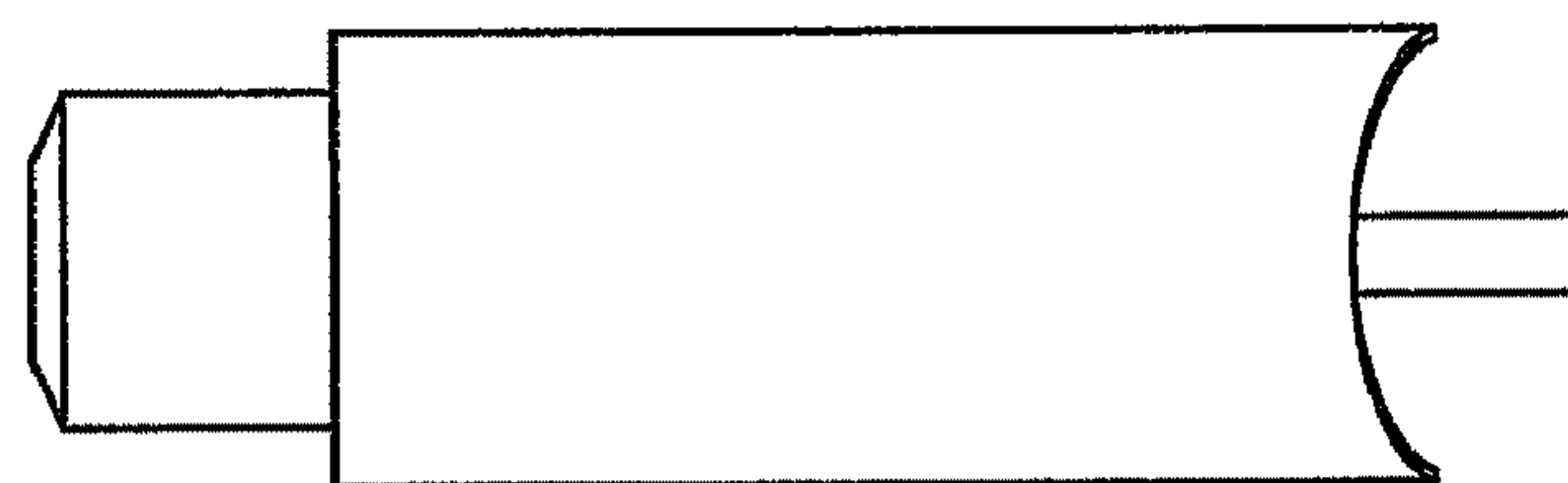


FIG. 3

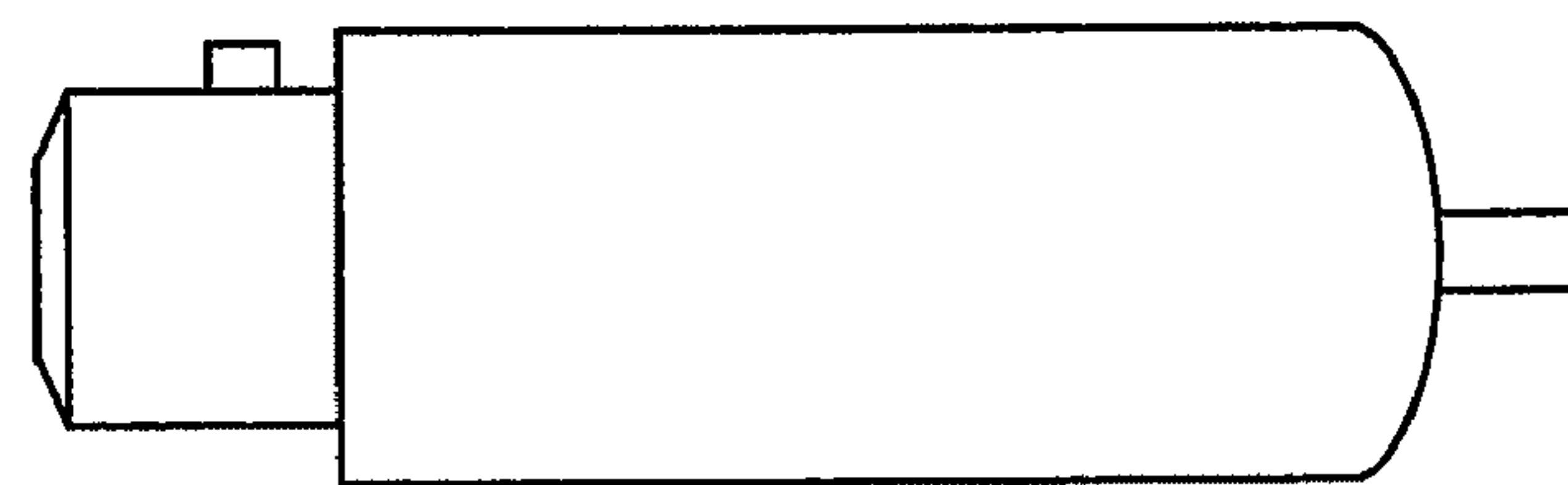


FIG. 4

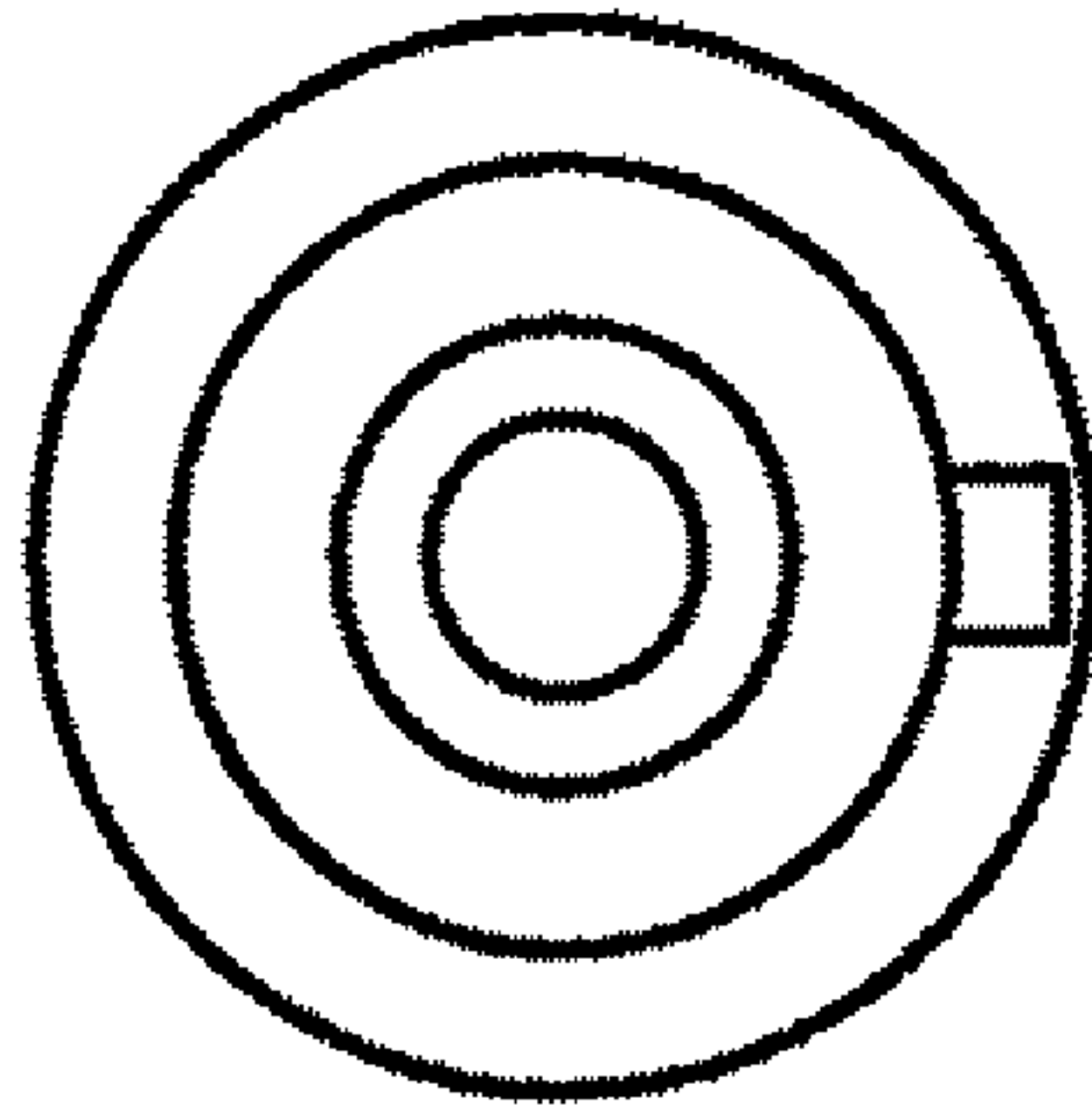


FIG. 5

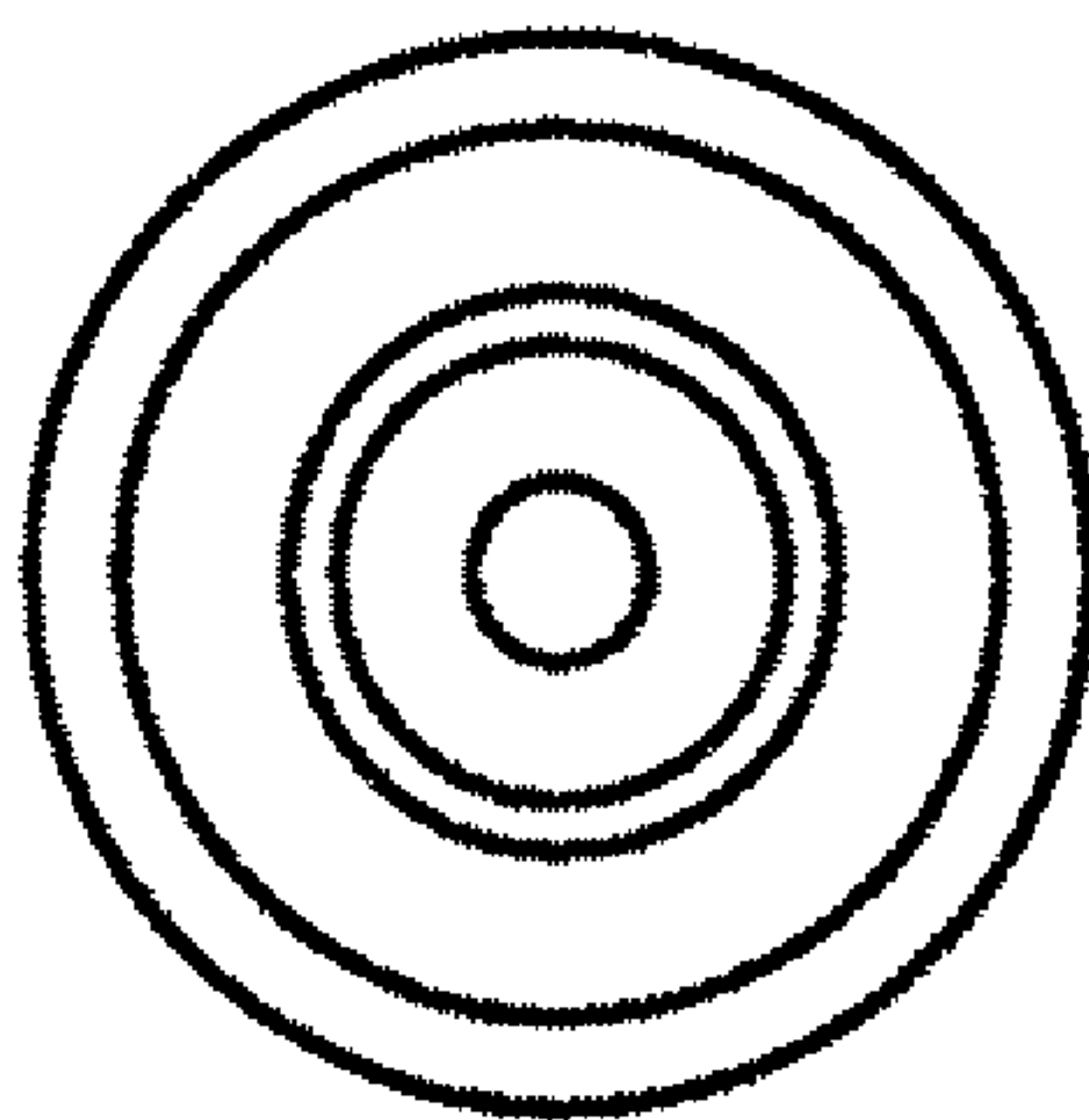


FIG. 6