



US00D645560S

(12) **United States Design Patent**  
**Green et al.**

(10) **Patent No.:** **US D645,560 S**

(45) **Date of Patent:** **\*\* Sep. 20, 2011**

(54) **PIPETTE TIP BUCKET WITH SHIELD**

(75) Inventors: **Andrew Green**, Oslo (NO); **James Gilmore**, Carlsbad, CA (US)

(73) Assignee: **Life Technologies Corporation**, Carlsbad, CA (US)

(\*\*) Term: **14 Years**

(21) Appl. No.: **29/378,208**

(22) Filed: **Nov. 1, 2010**

(30) **Foreign Application Priority Data**

May 10, 2010 (EM) ..... 001706300-0003

(51) **LOC (9) Cl.** ..... **24-04**

(52) **U.S. Cl.** ..... **D24/121**

(58) **Field of Classification Search** ..... D24/121-123,  
D24/117, 224, 108, 144; D32/53; D23/276,  
D23/274, 295, 302, 309, 200; 4/450-460,  
4/144.1-144.4, DIG. 5; 600/573, 574; 604/329,  
604/317-325, 334; D27/125; D7/603, 700;  
D11/152

See application file for complete search history.

(56) **References Cited**

**U.S. PATENT DOCUMENTS**

D363,987 S \* 11/1995 Hollifield et al. .... D24/122  
D383,949 S \* 9/1997 Lown ..... D7/700  
D386,861 S \* 11/1997 Sutton ..... D32/53

6,098,210 A \* 8/2000 Broden ..... 4/144.1  
D463,756 S \* 10/2002 Vea ..... D11/152  
D464,729 S \* 10/2002 Rehrig ..... D24/122  
D497,425 S \* 10/2004 McQuaid ..... D24/122  
D499,180 S \* 11/2004 Best ..... D24/122  
D543,274 S \* 5/2007 Takahashi ..... D24/122  
D544,310 S \* 6/2007 Smigiel ..... D7/603  
D580,049 S \* 11/2008 Tanguay ..... D24/122  
D583,933 S \* 12/2008 Finney et al. .... D24/121  
D621,506 S \* 8/2010 Khen ..... D24/144

\* cited by examiner

*Primary Examiner* — David Muller

(74) *Attorney, Agent, or Firm* — Greer, Burns & Crain, Ltd.

(57) **CLAIM**

The ornamental design for a pipette tip bucket with shield, as shown and described.

**DESCRIPTION**

FIG. 1 is a perspective view of a pipette tip bucket showing our new design;

FIG. 2 is a front elevational view thereof;

FIG. 3 is a back elevational view thereof;

FIG. 4 is a side elevational view thereof;

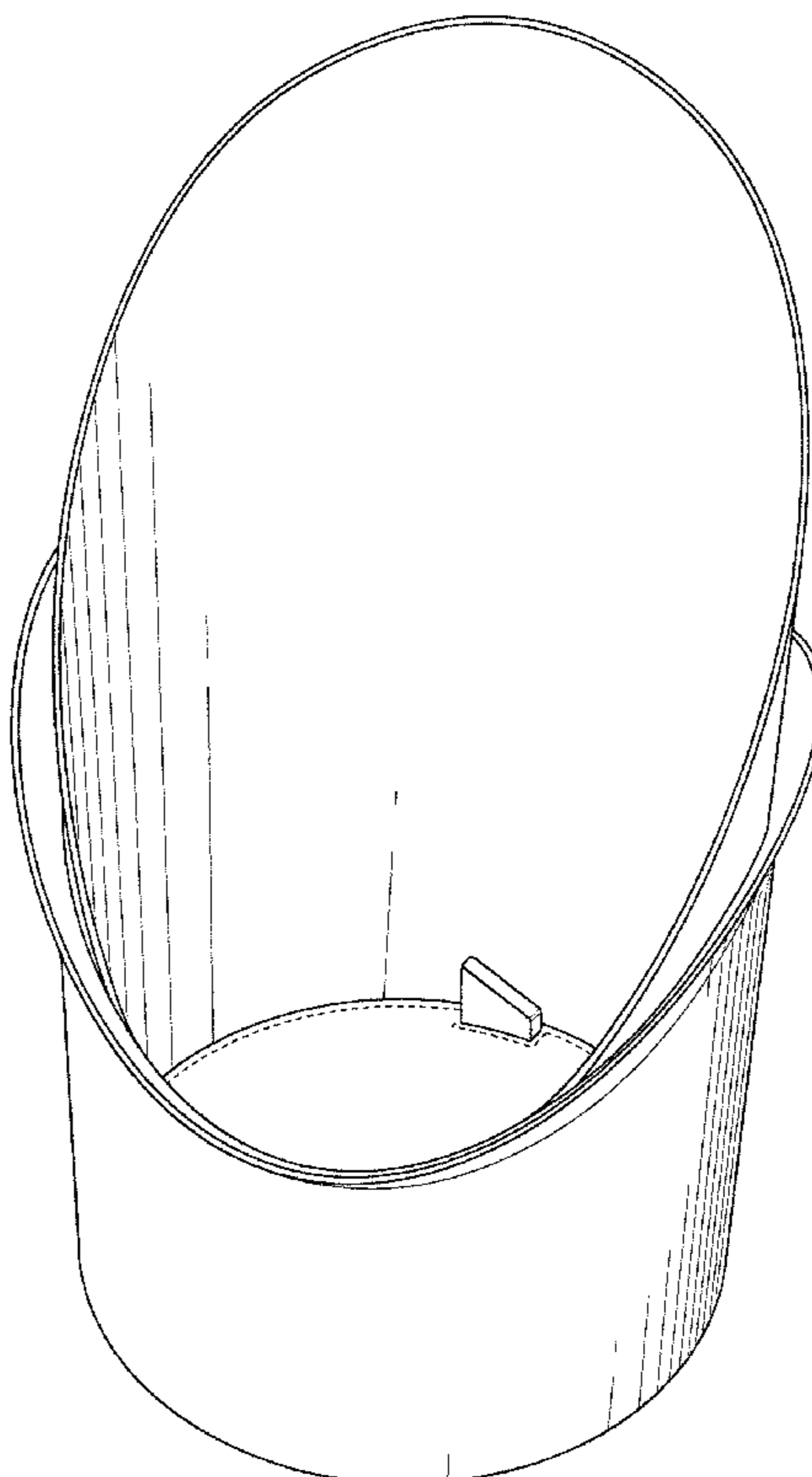
FIG. 5 is an opposite side elevational view thereof;

FIG. 6 is a top plan view thereof; and,

FIG. 7 is a bottom plan view thereof.

The dashed lines immediately adjacent to the claimed areas in FIGS. 1, 6 and 7 represent the boundaries of the claimed design and form no part of the claimed design.

**1 Claim, 6 Drawing Sheets**



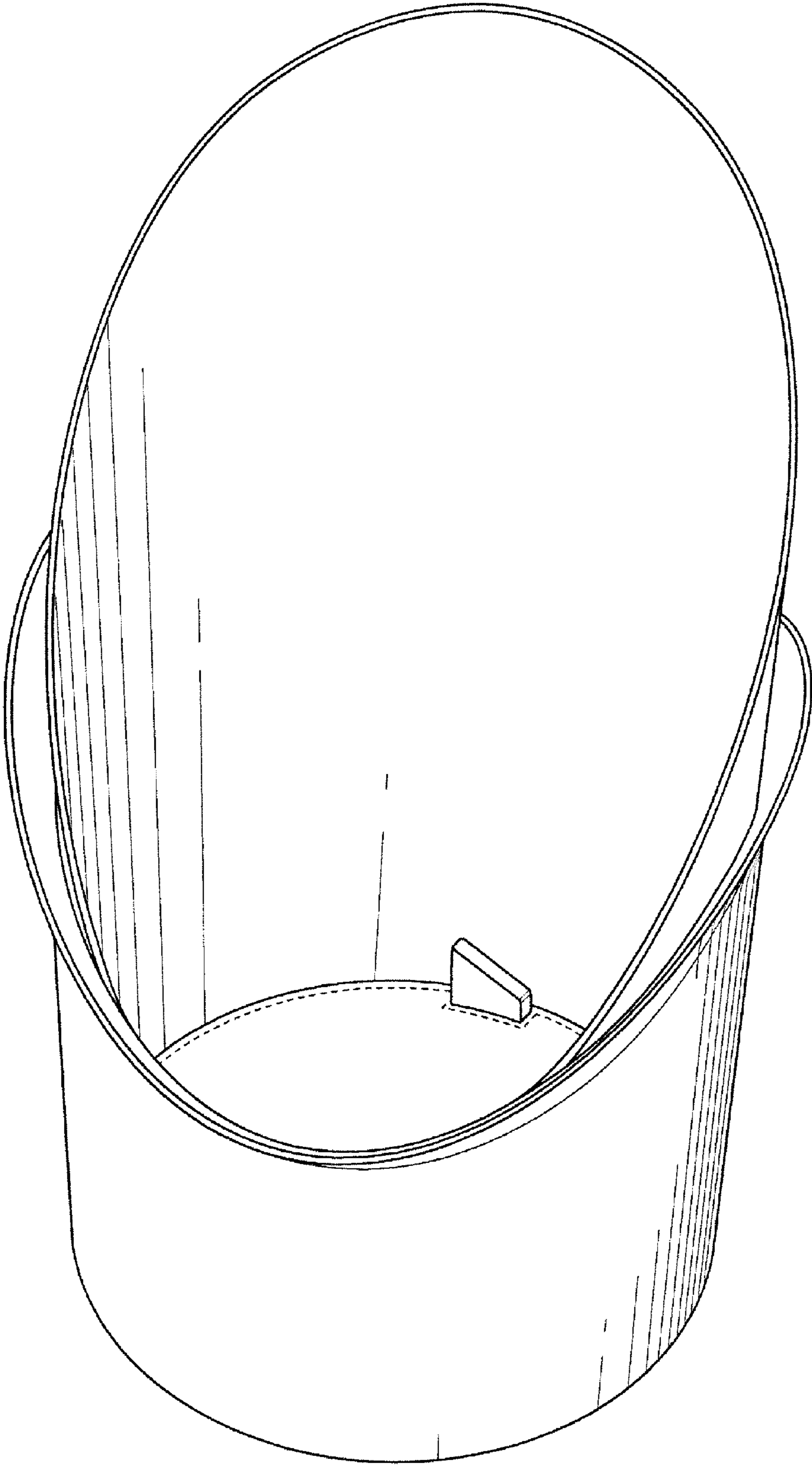
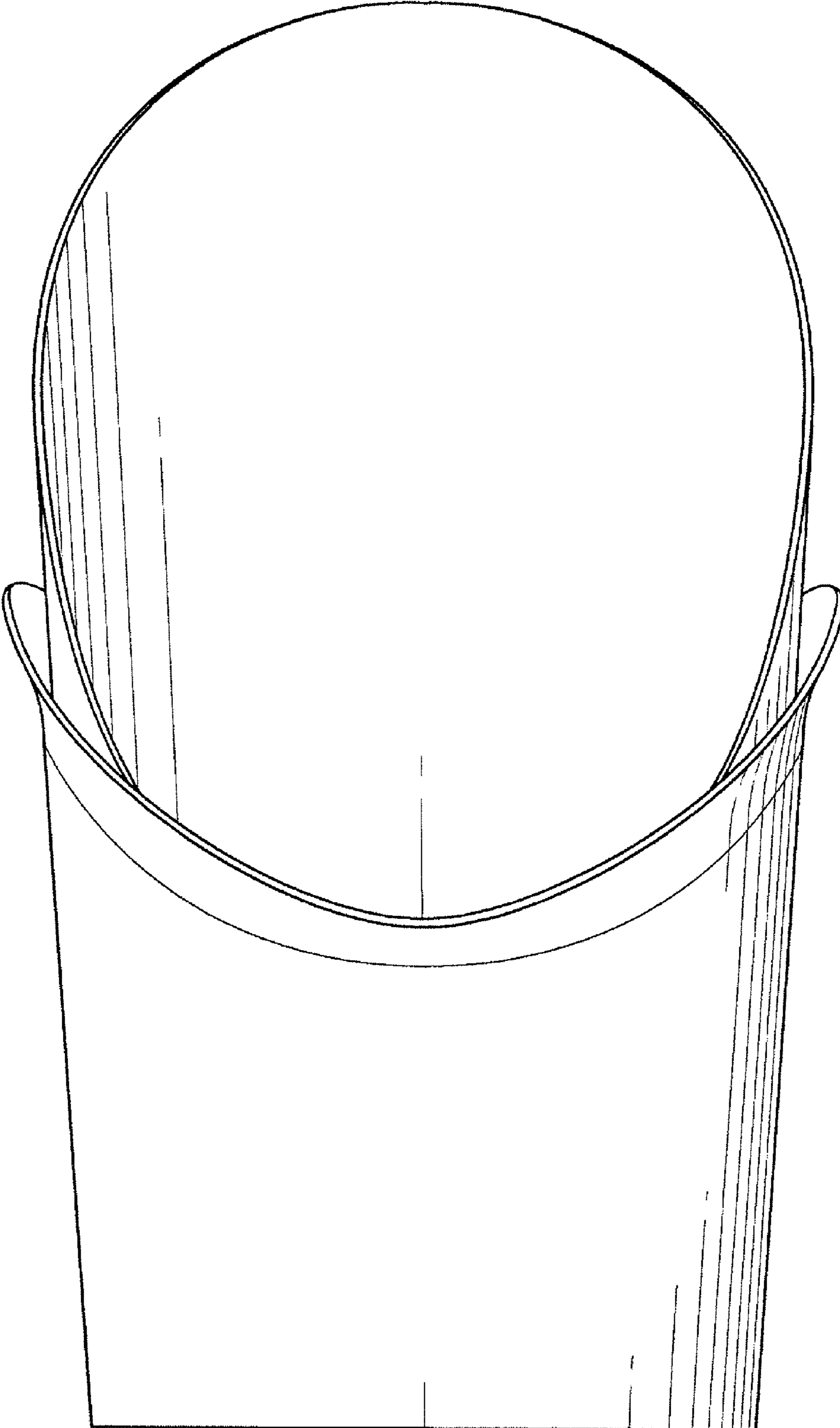
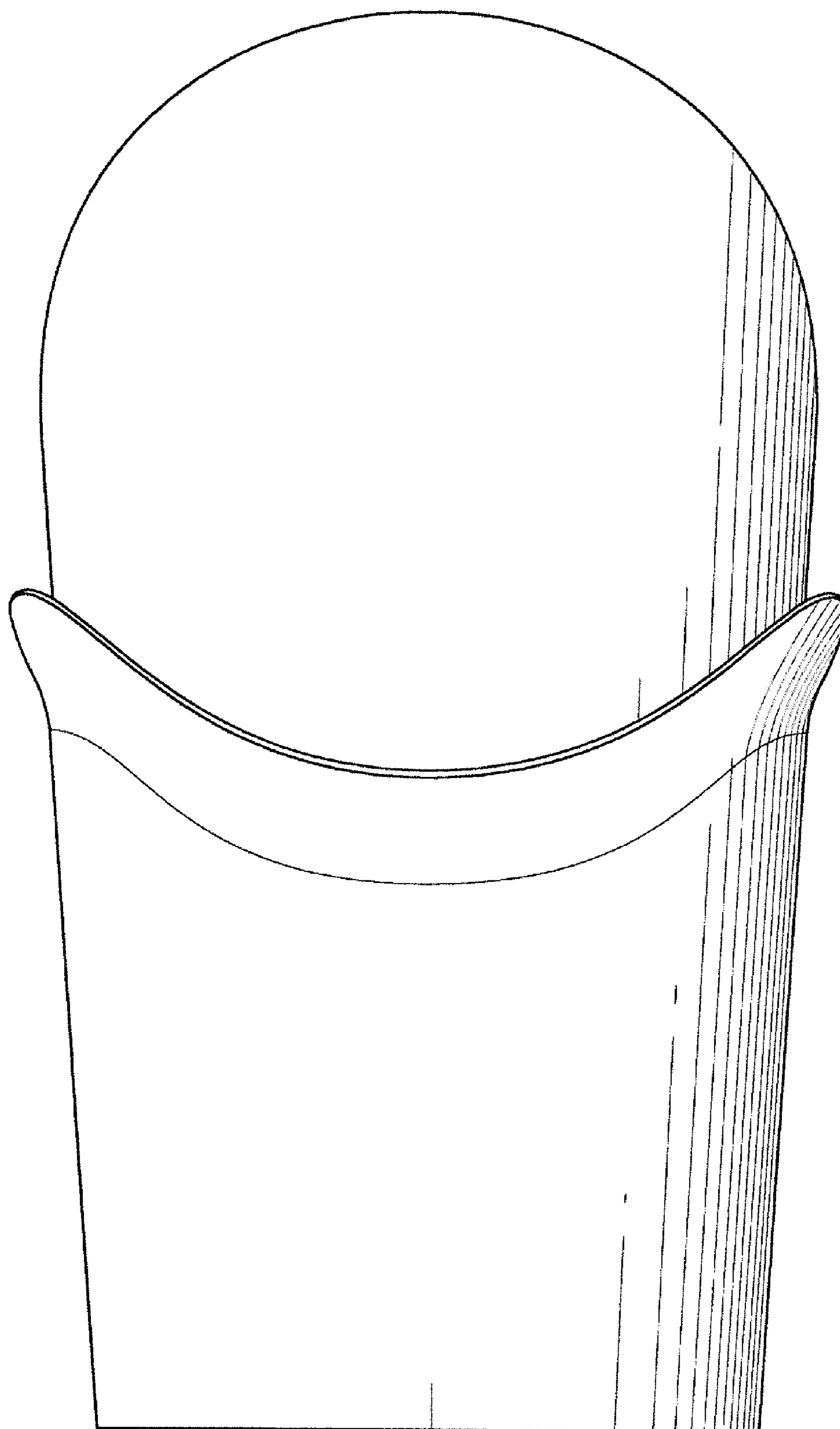


FIG. 1



*FIG. 2*



*FIG. 3*

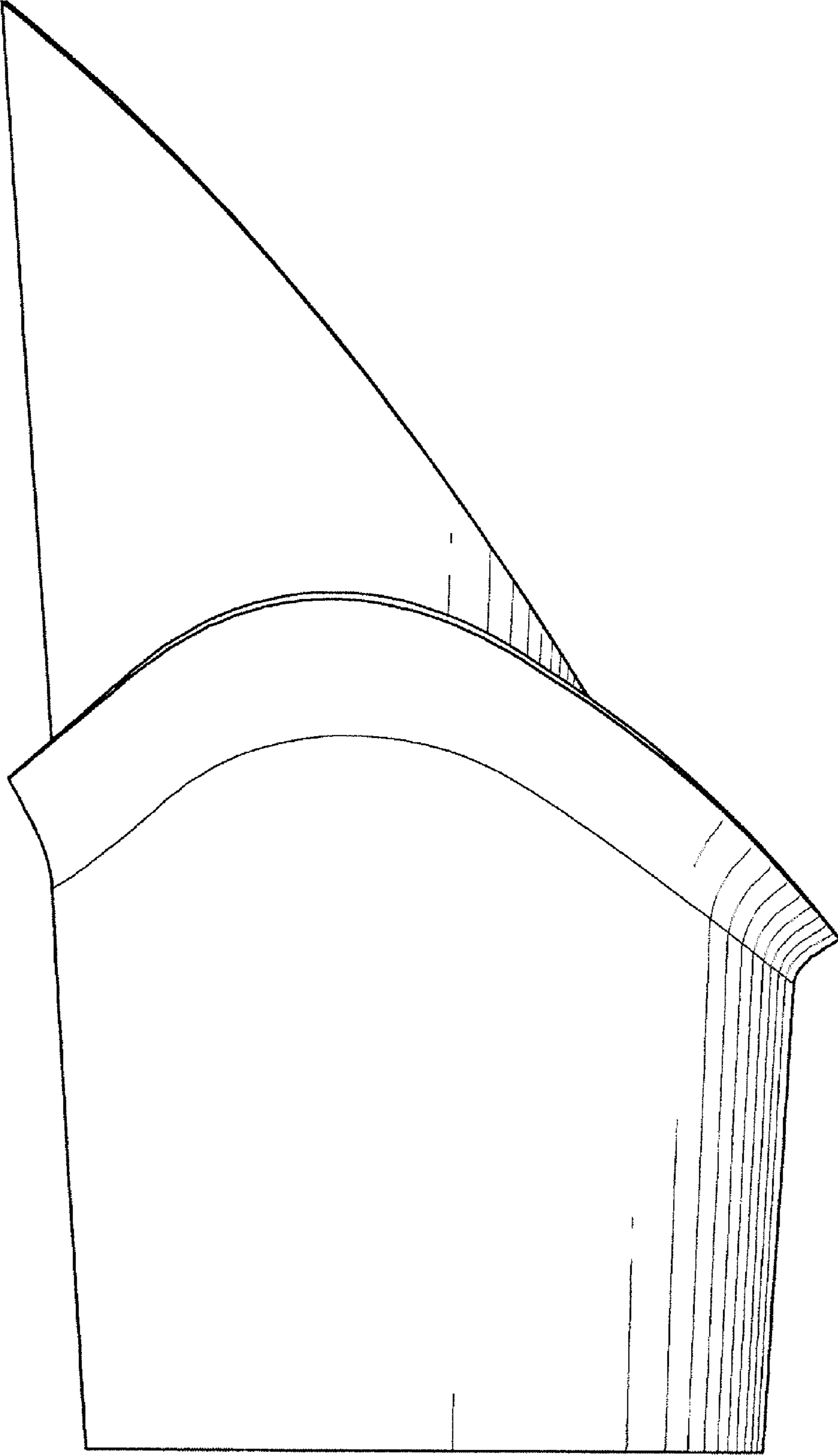


FIG. 4

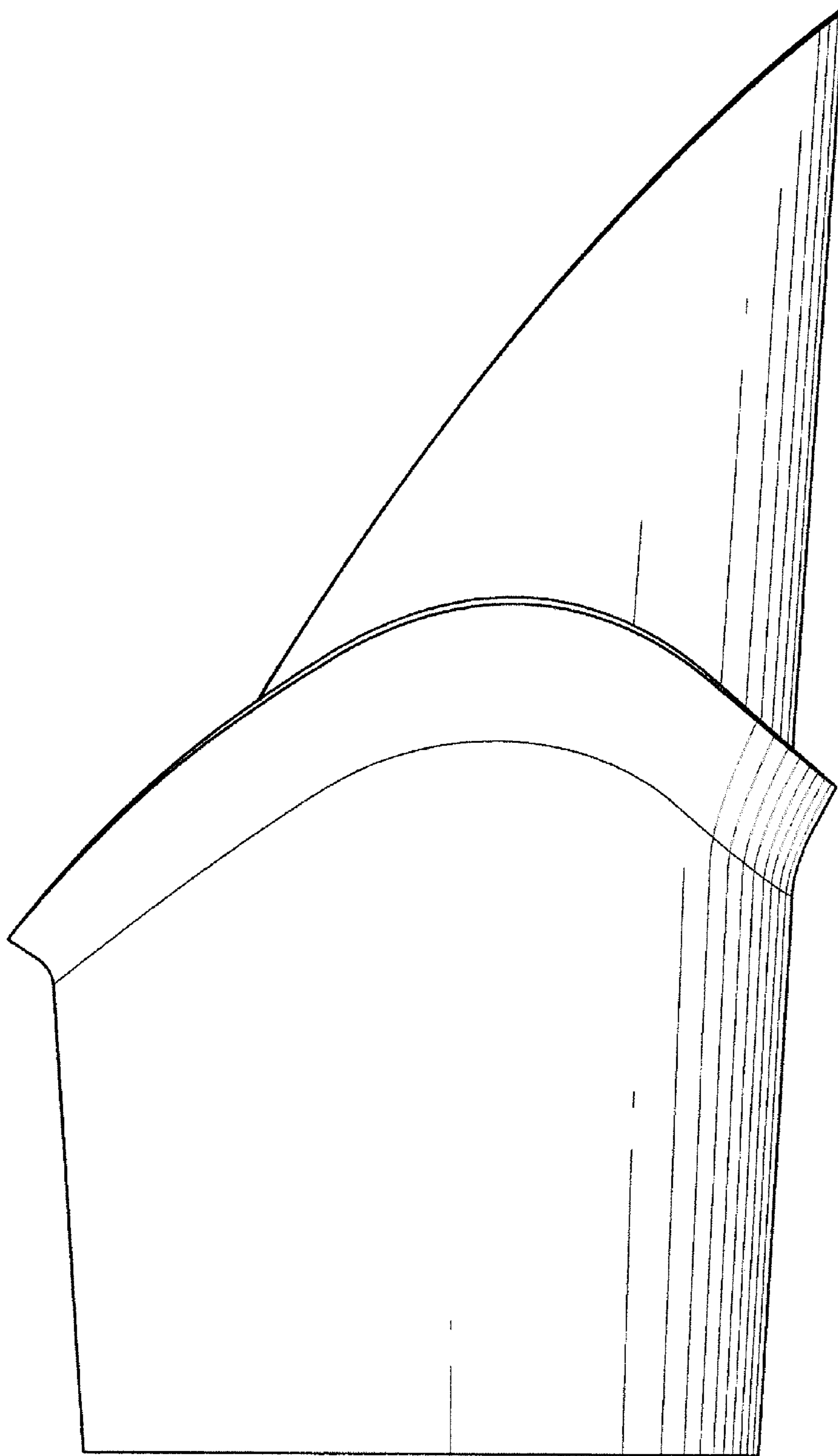


FIG. 5

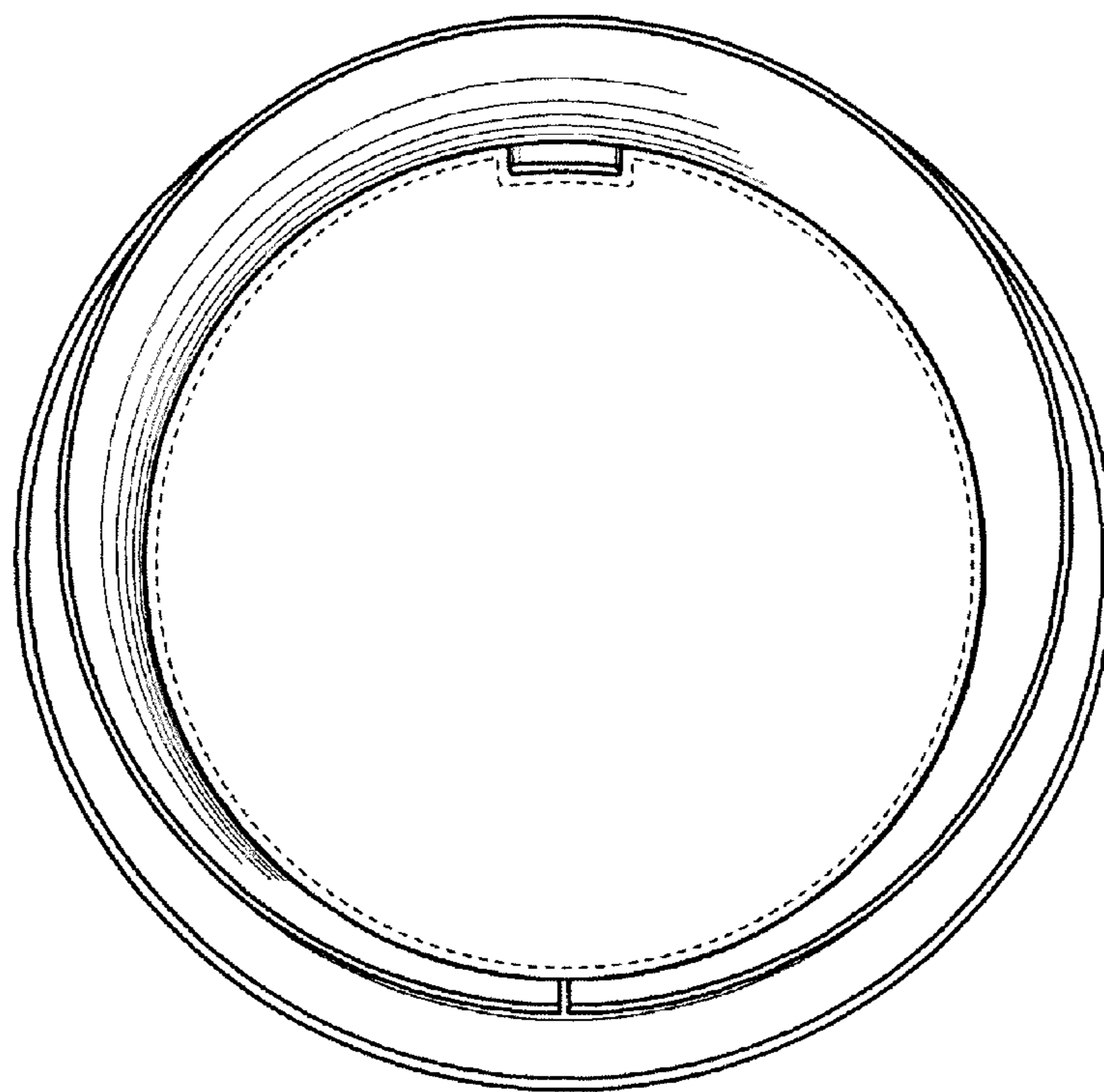


FIG. 6

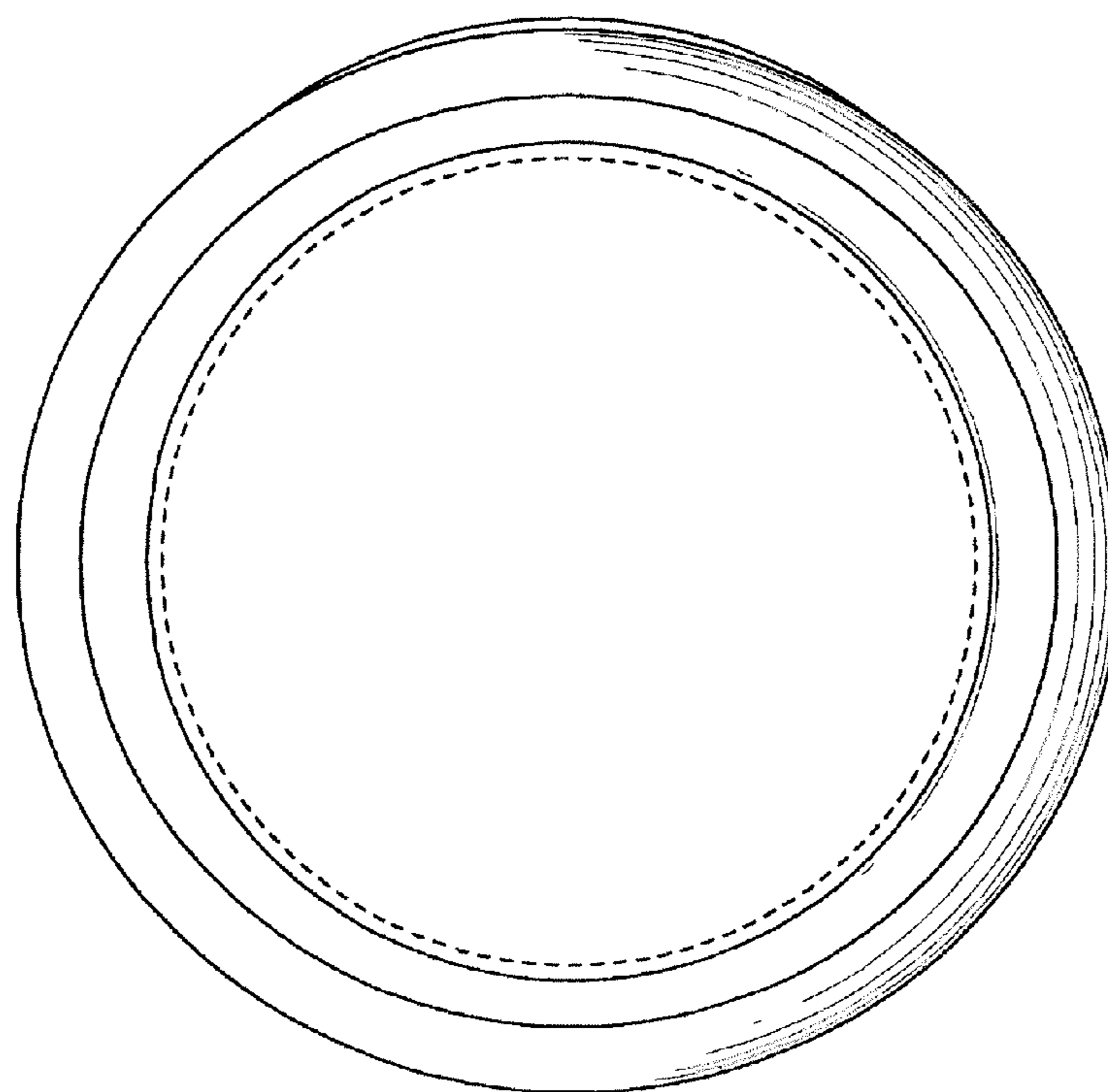


FIG. 7