



US00D645559S

(12) **United States Design Patent**
Green et al.

(10) **Patent No.:** **US D645,559 S**

(45) **Date of Patent:** **** Sep. 20, 2011**

(54) **PIPETTE TIP BUCKET**

(75) Inventors: **Andrew Green**, Oslo (NO); **James Gilmore**, Carlsbad, CA (US)

(73) Assignee: **Life Technologies Corporation**, Carlsbad, CA (US)

(**) Term: **14 Years**

(21) Appl. No.: **29/378,206**

(22) Filed: **Nov. 1, 2010**

(30) **Foreign Application Priority Data**

May 10, 2010 (EM) 001706300-0002

(51) **LOC (9) Cl.** **24-04**

(52) **U.S. Cl.** **D24/121**

(58) **Field of Classification Search** D24/121-123, D24/117, 224, 108; D32/53; D23/276, 274, D23/295, 302, 309, 200; 4/450-460, 144.1-144.4, 4/DIG. 5; 600/573, 574; 604/329, 317-325, 604/334; D27/125; D7/603, 509
See application file for complete search history.

(56) **References Cited**

U.S. PATENT DOCUMENTS

D249,110 S * 8/1978 Newmark D7/509
D285,515 S * 9/1986 Papciak D7/509
D326,519 S * 5/1992 Drysdale D24/122

D342,784 S * 12/1993 Passiak et al. D24/123
D377,091 S * 12/1996 Scott, Sr. D24/121
5,920,916 A * 7/1999 Norton 4/144.3
6,098,210 A * 8/2000 Broden 4/144.1
D441,075 S * 4/2001 Nara D24/122
D497,425 S * 10/2004 McQuaid D24/122
D543,274 S * 5/2007 Takahashi D24/122
D547,514 S * 7/2007 Zak D32/53
D557,991 S * 12/2007 Hong D7/603
D597,203 S * 7/2009 Tauer D24/121

* cited by examiner

Primary Examiner — David Muller

(74) *Attorney, Agent, or Firm* — Greer, Burns & Crain, Ltd.

(57) **CLAIM**

The ornamental design for a pipette tip bucket, as shown and described.

DESCRIPTION

FIG. 1 is a perspective view of a pipette tip bucket showing our new design;

FIG. 2 is a front elevational view thereof;

FIG. 3 is a back elevational view thereof;

FIG. 4 is a side elevational view thereof;

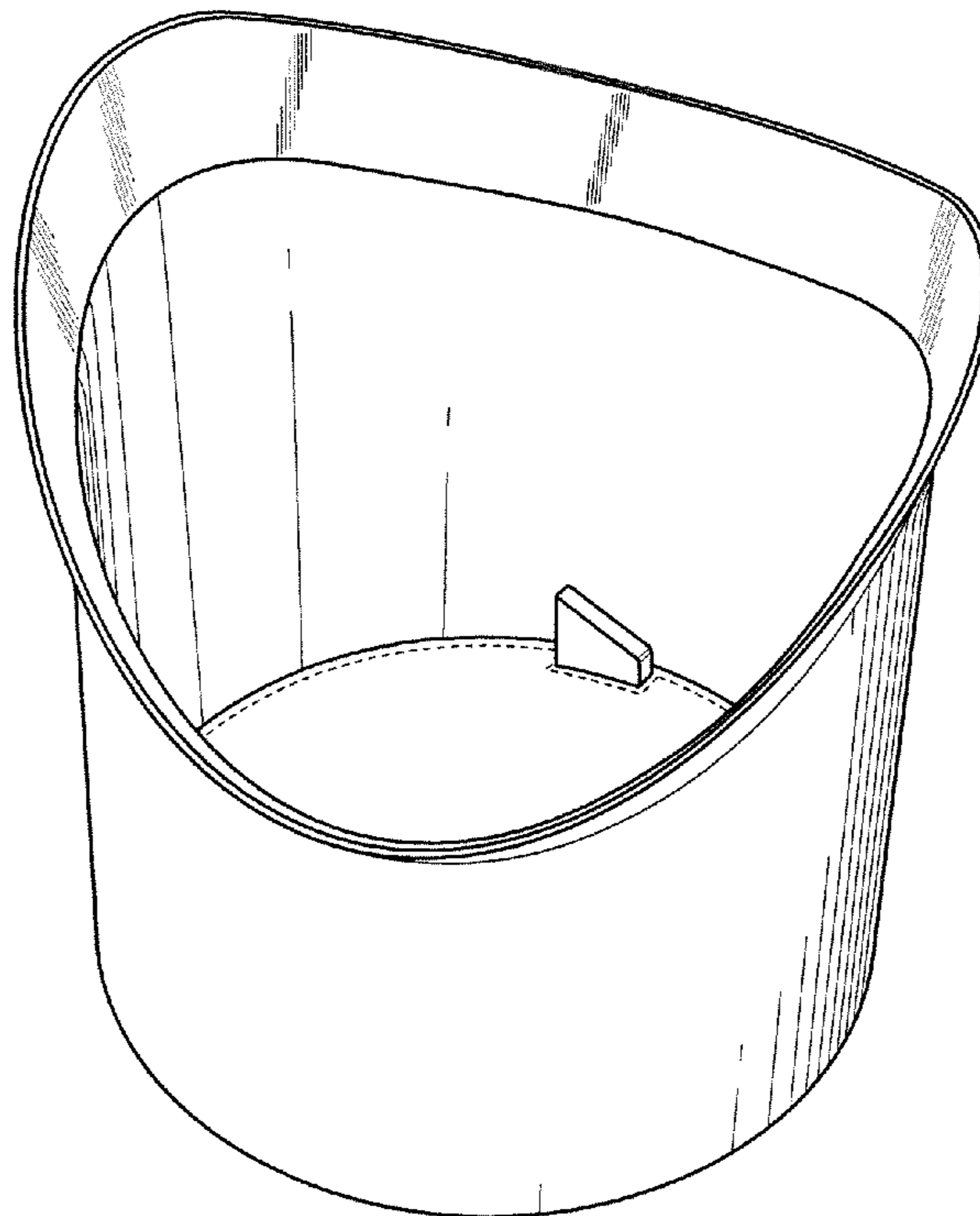
FIG. 5 is an opposite side elevational view thereof;

FIG. 6 is a top plan view thereof; and,

FIG. 7 is a bottom plan view thereof.

The dashed lines immediately adjacent to the claimed areas in FIGS. 1, 6 and 7 represent the boundaries of the claimed design and form no part of the claimed design.

1 Claim, 4 Drawing Sheets



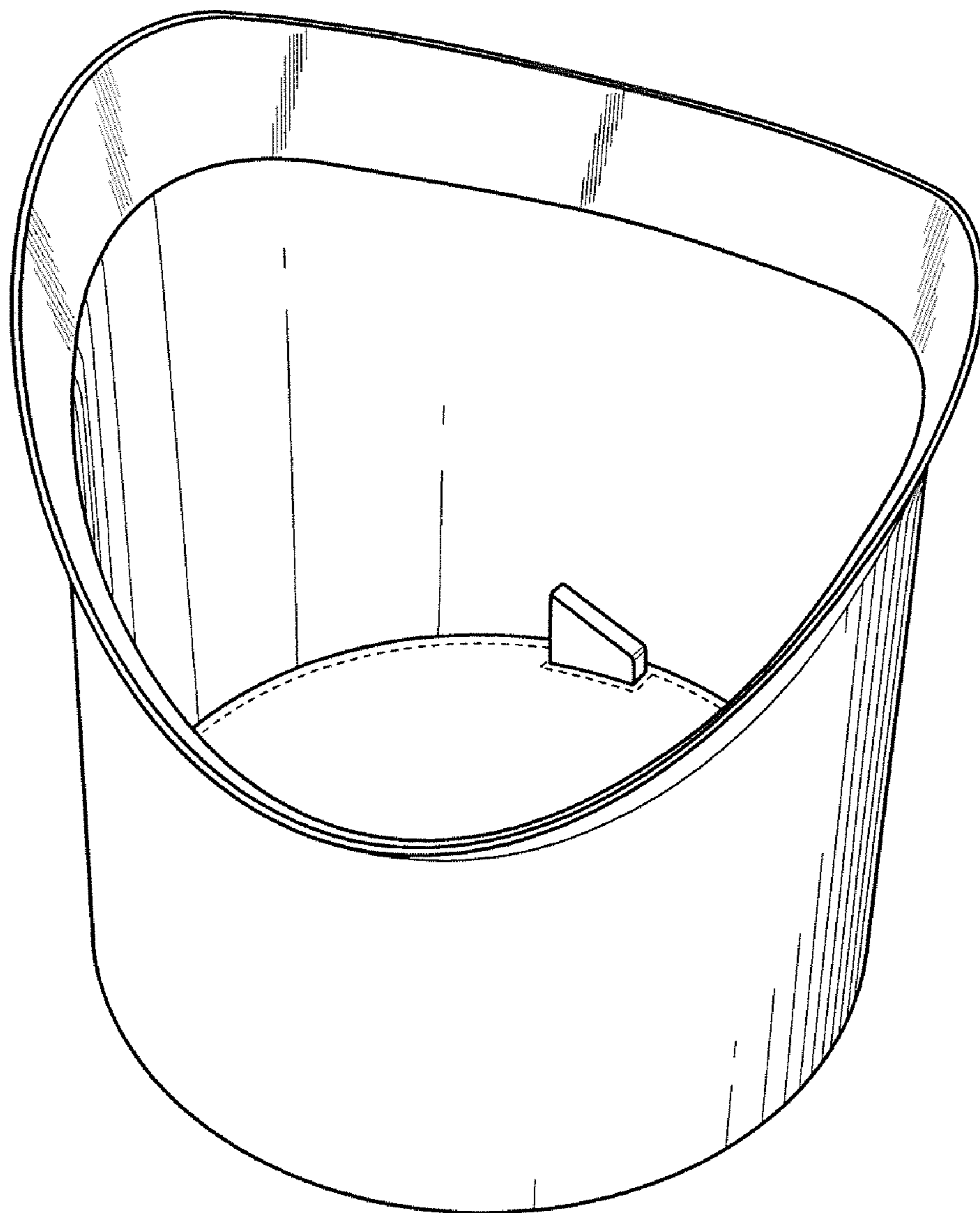


FIG. 1

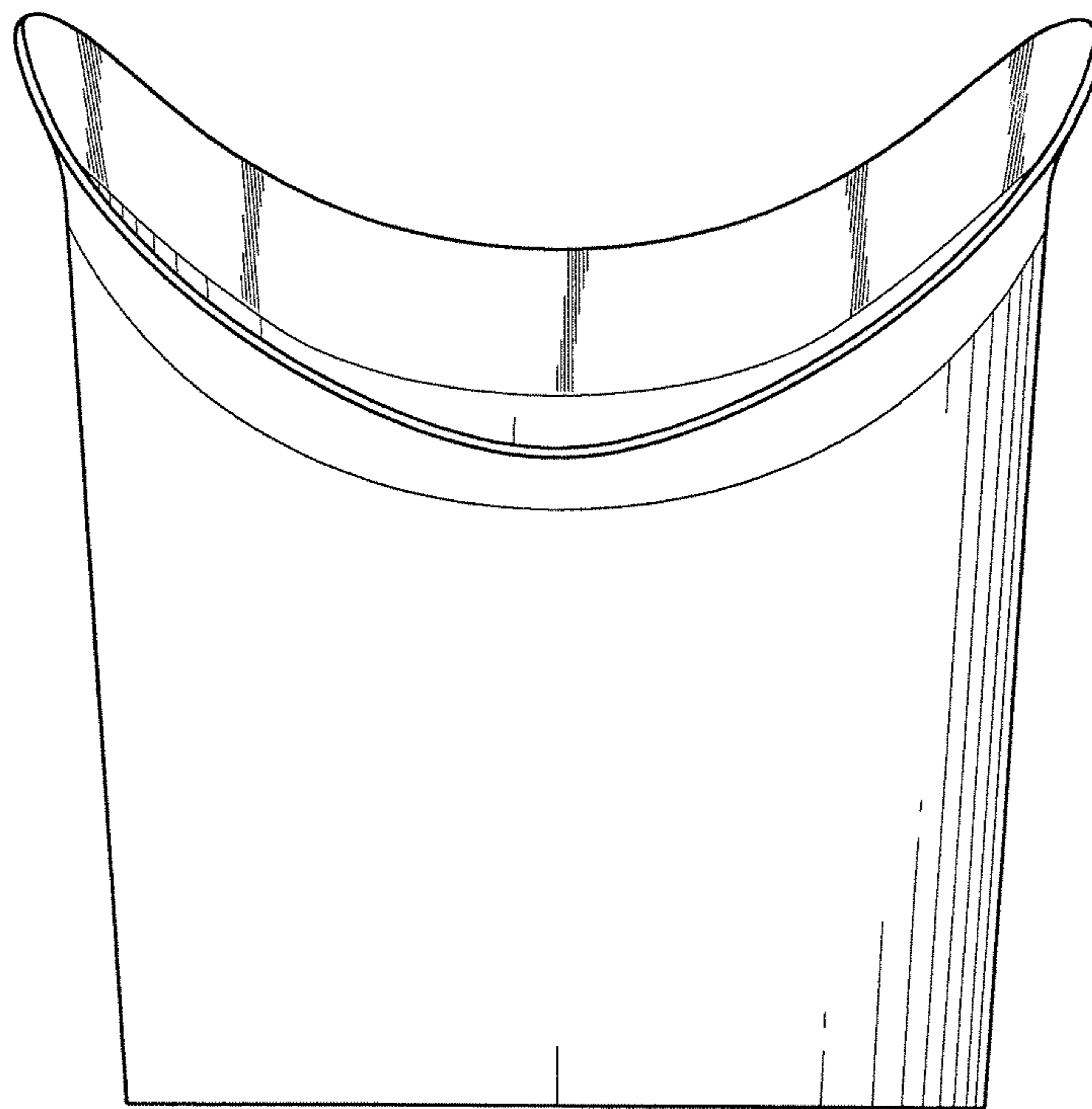


FIG. 2

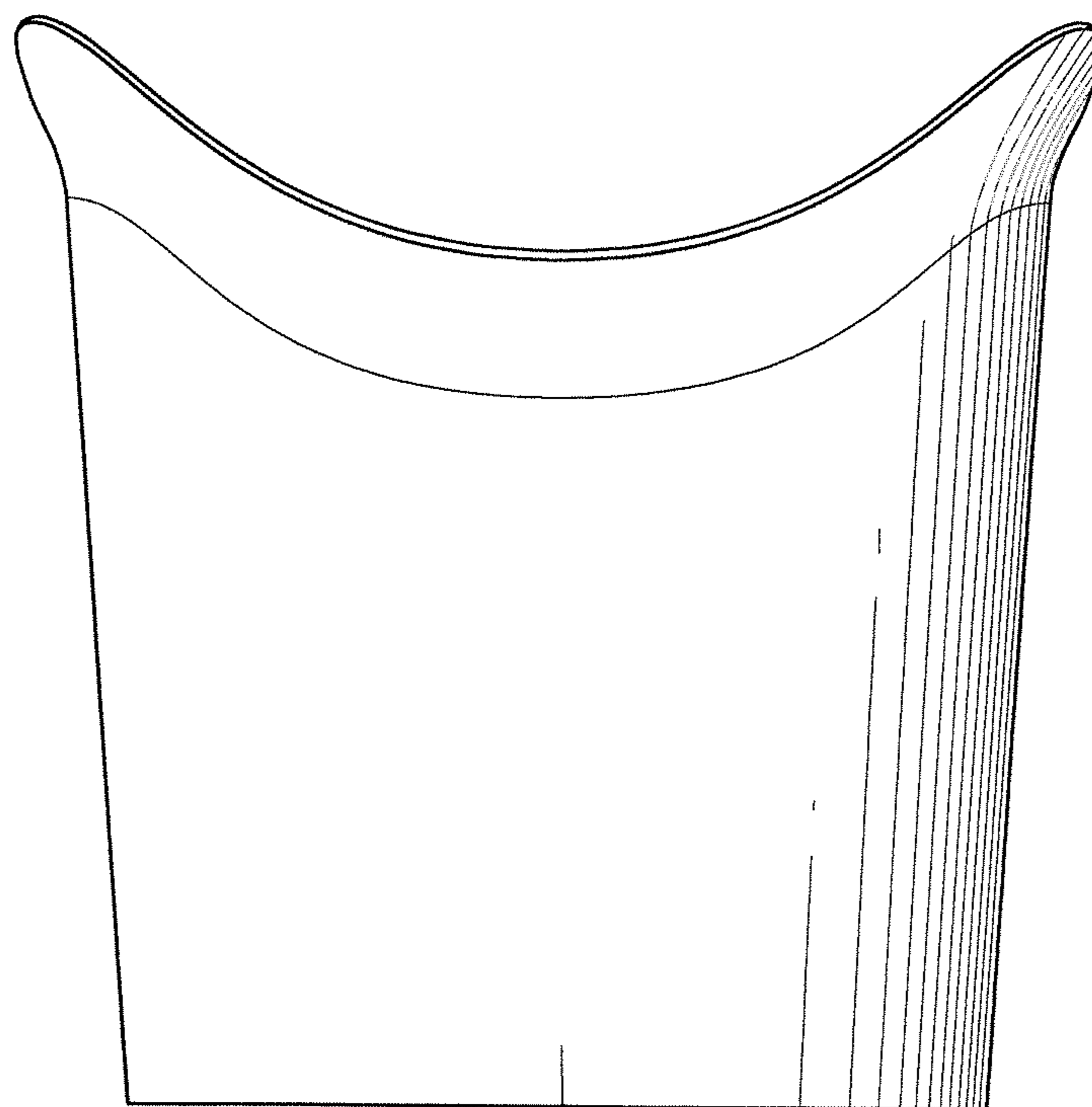


FIG. 3

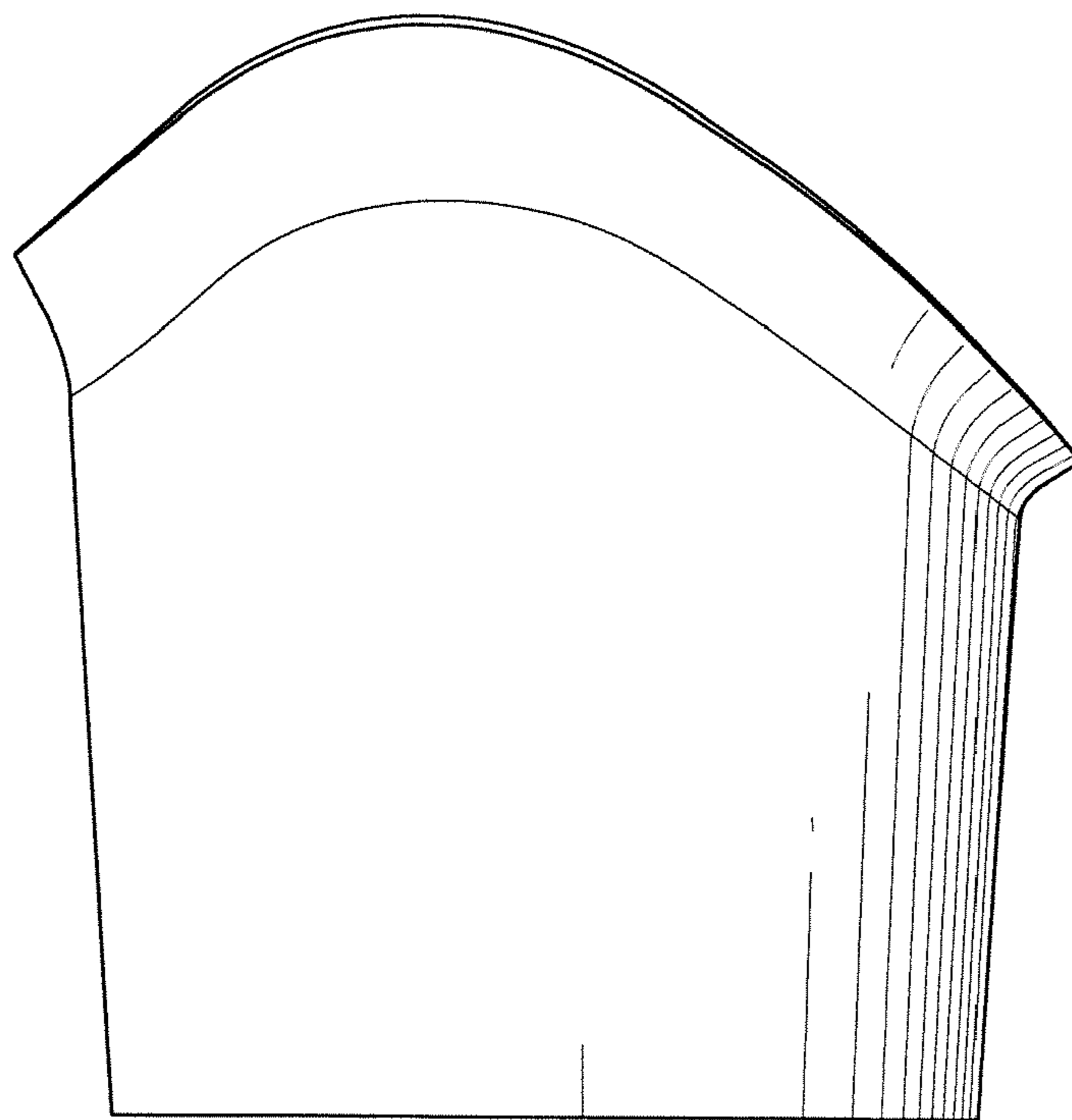


FIG. 4

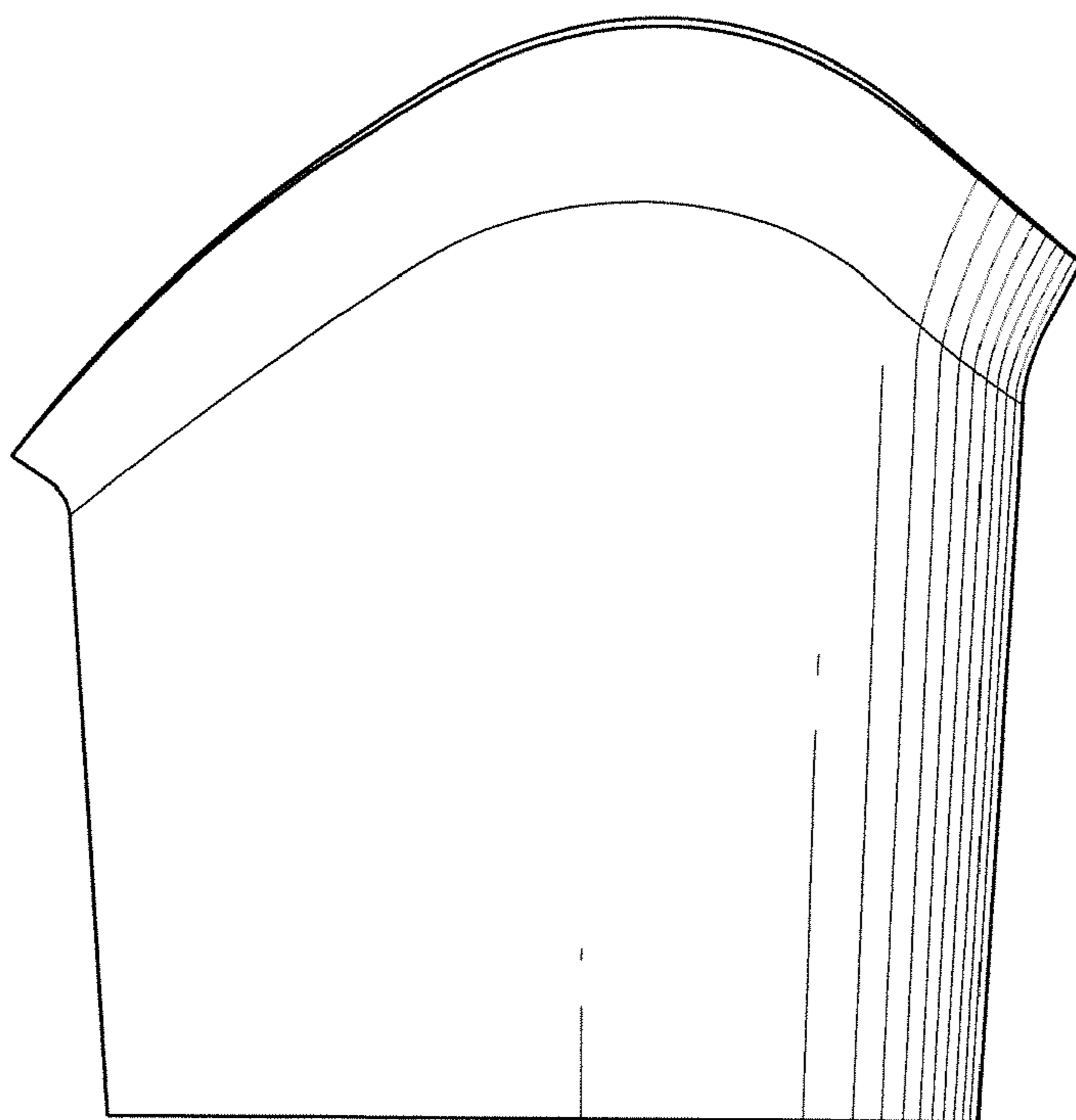


FIG. 5

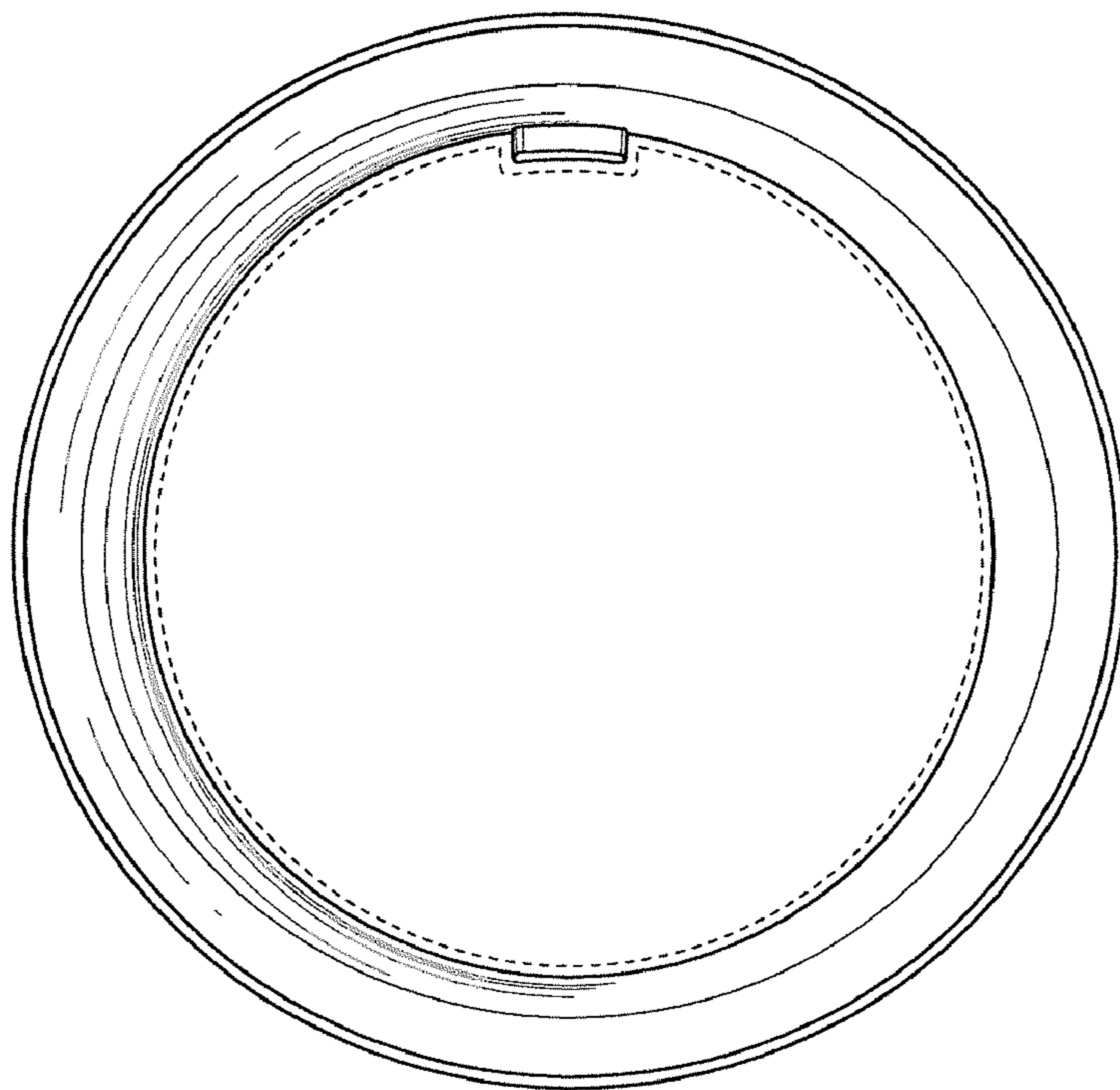


FIG. 6

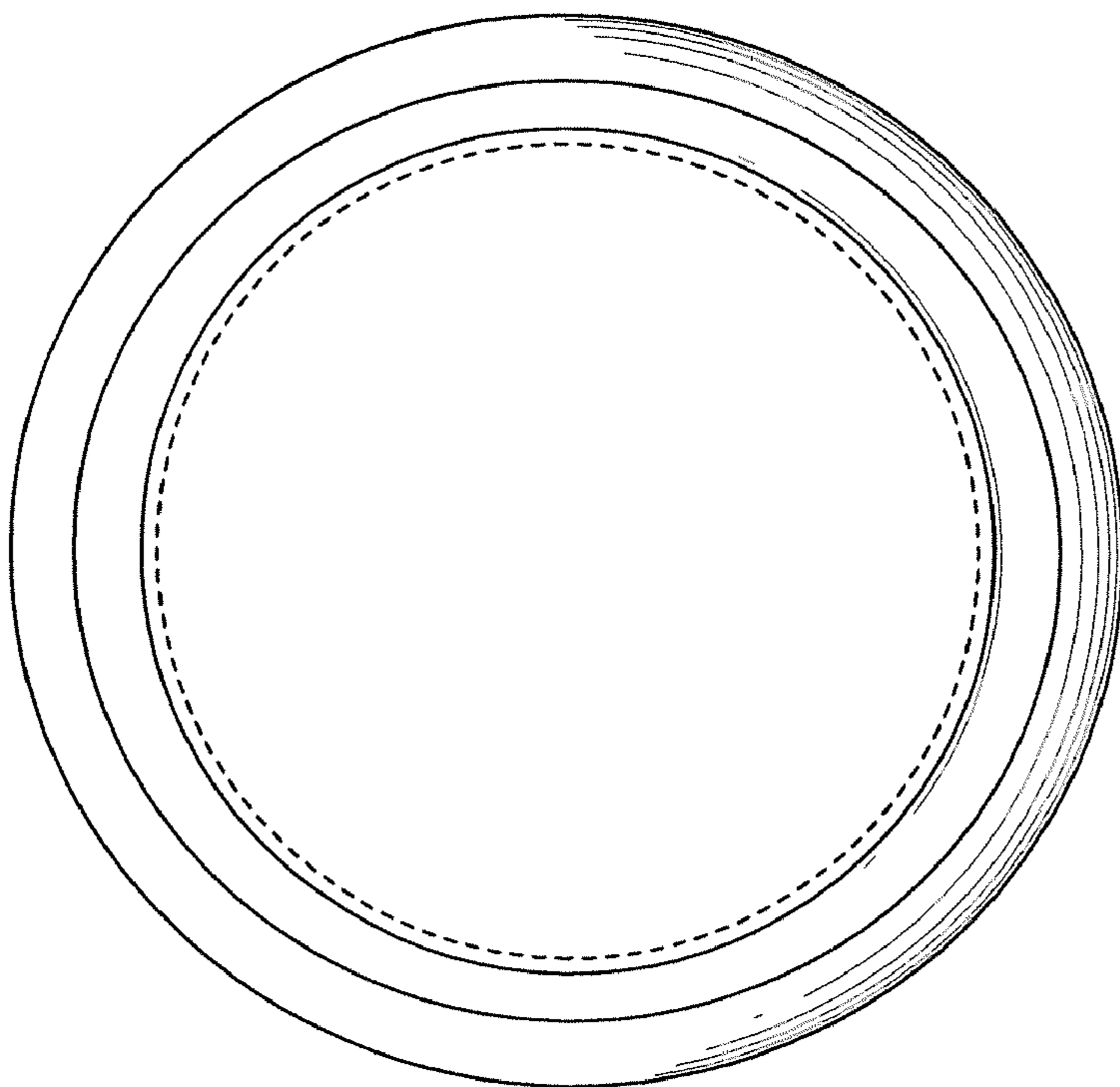


FIG. 7