

US00D645558S

(12) **United States Design Patent**
Matula et al.

(10) **Patent No.:** **US D645,558 S**

(45) **Date of Patent:** **** Sep. 20, 2011**

(54) **FRAME IN FACE MASK ASSEMBLY**

(75) Inventors: **Jr. Jerome Matula**, Apollo, PA (US);
Derrick Andrews, Markleton, PA (US)

(73) Assignee: **Koninklijke Philips Electronics N.V.**,
Eindhoven (NL)

(**) Term: **14 Years**

(21) Appl. No.: **29/344,154**

(22) Filed: **Sep. 24, 2009**

(51) **LOC (9) Cl.** **29-02**

(52) **U.S. Cl.** **D24/110.1; D24/110.4**

(58) **Field of Classification Search** D24/111,
D24/110.1, 110.4, 110.5, 164; D29/108;
128/204.11, 204.18, 205.25, 206.12, 206.14,
128/206.21, 206.24, 206.26, 206.27, 206.28,
128/206.29, 207.11, 207.13

See application file for complete search history.

(56) **References Cited**

U.S. PATENT DOCUMENTS

D428,139 S * 7/2000 Smart D24/110.4
D430,663 S * 9/2000 Smart D24/110.4

D459,800 S * 7/2002 Smart D24/110.4
D483,477 S * 12/2003 Ankey et al. D24/110.4
D534,274 S * 12/2006 Smart D24/110.1
D560,796 S * 1/2008 Jones et al. D24/110.1
D584,400 S * 1/2009 McAuley et al. D24/110.1
D585,979 S * 2/2009 Stallard et al. D24/110.1
D593,197 S * 5/2009 Todd et al. D24/110.4
7,743,767 B2 * 6/2010 Ging et al. 128/206.24
2008/0149105 A1 6/2008 Matula et al.

* cited by examiner

Primary Examiner — Ian Simmons

Assistant Examiner — Wan Laymon

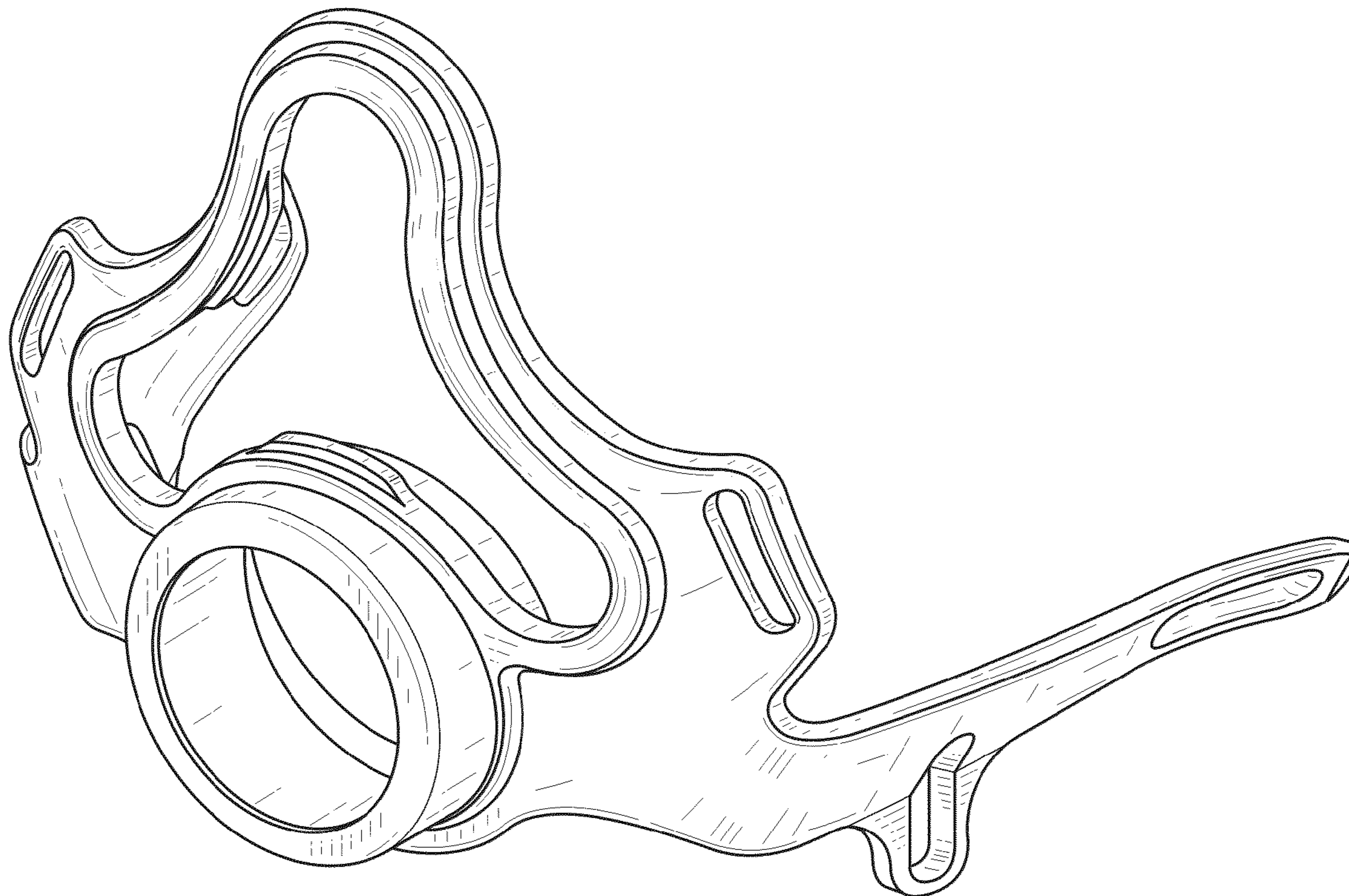
(57) **CLAIM**

The ornamental design for a frame in face mask assembly, as shown.

DESCRIPTION

FIG. 1 is a perspective view showing our design;
FIG. 2 is a front elevational view thereof;
FIG. 3 is a rear elevational view thereof;
FIG. 4 is a right side elevational view thereof;
FIG. 5 is a bottom plan view thereof; and,
FIG. 6 is a top plan view thereof.

1 Claim, 6 Drawing Sheets



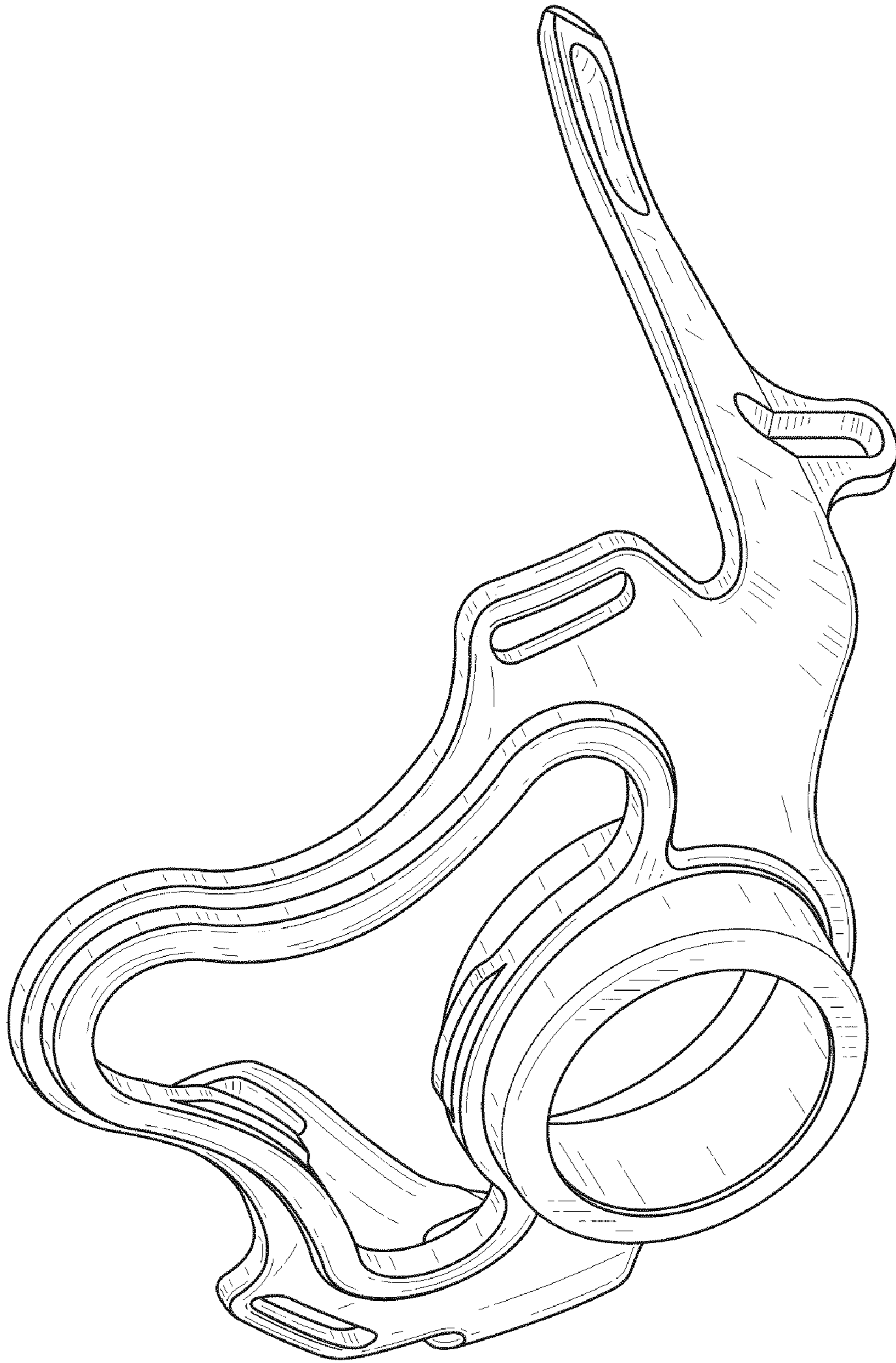


FIG. 1

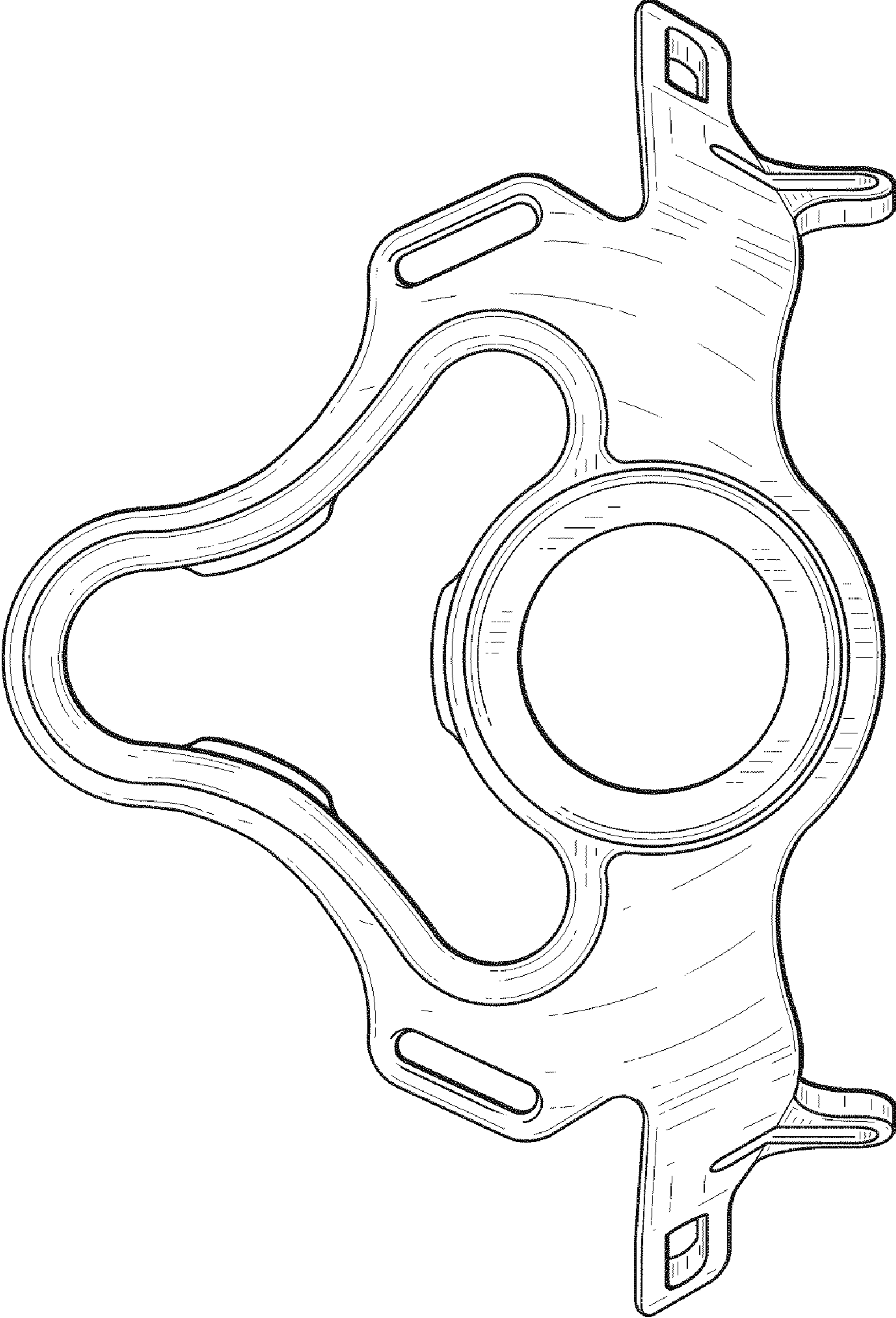


FIG. 2

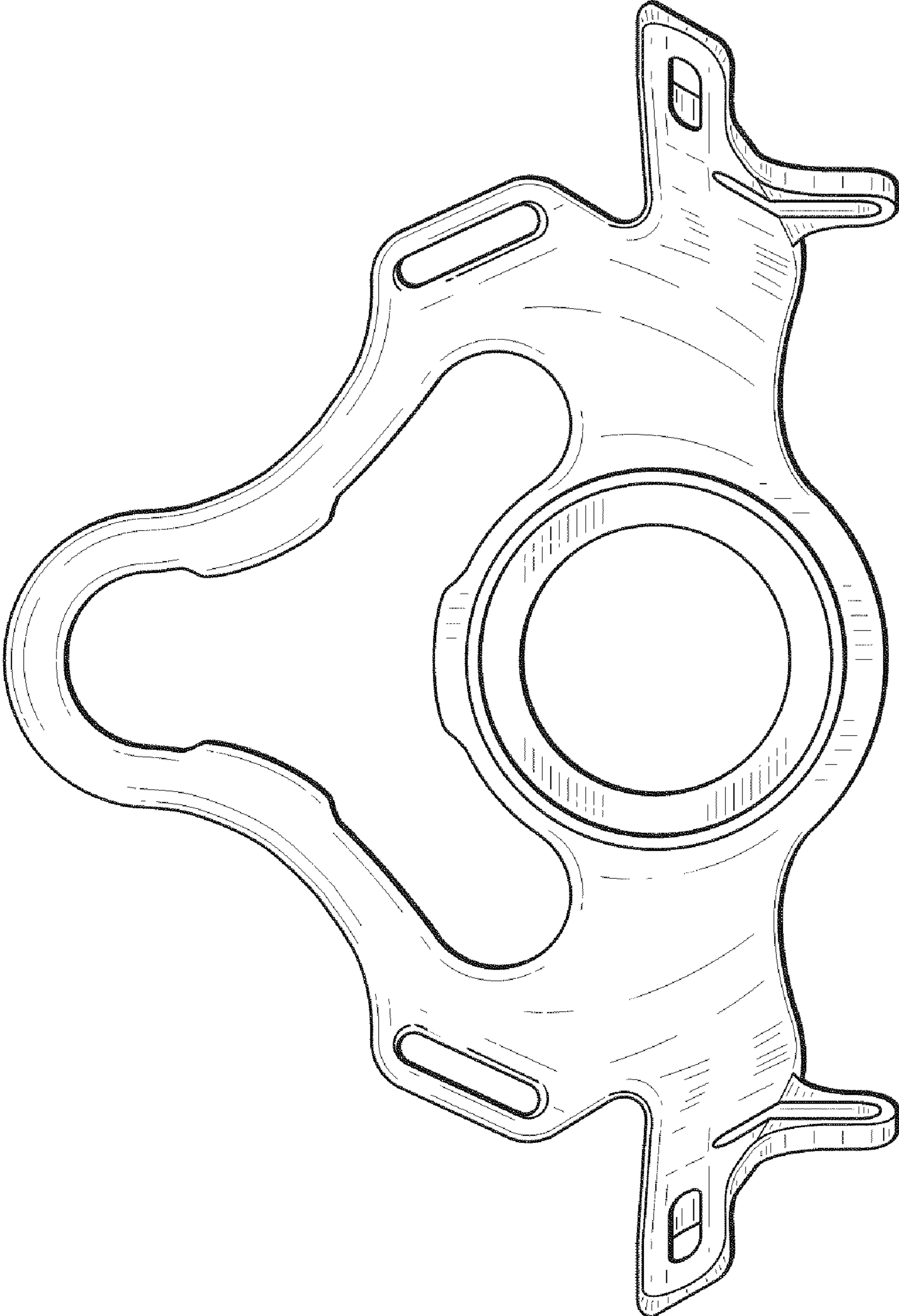


FIG. 3

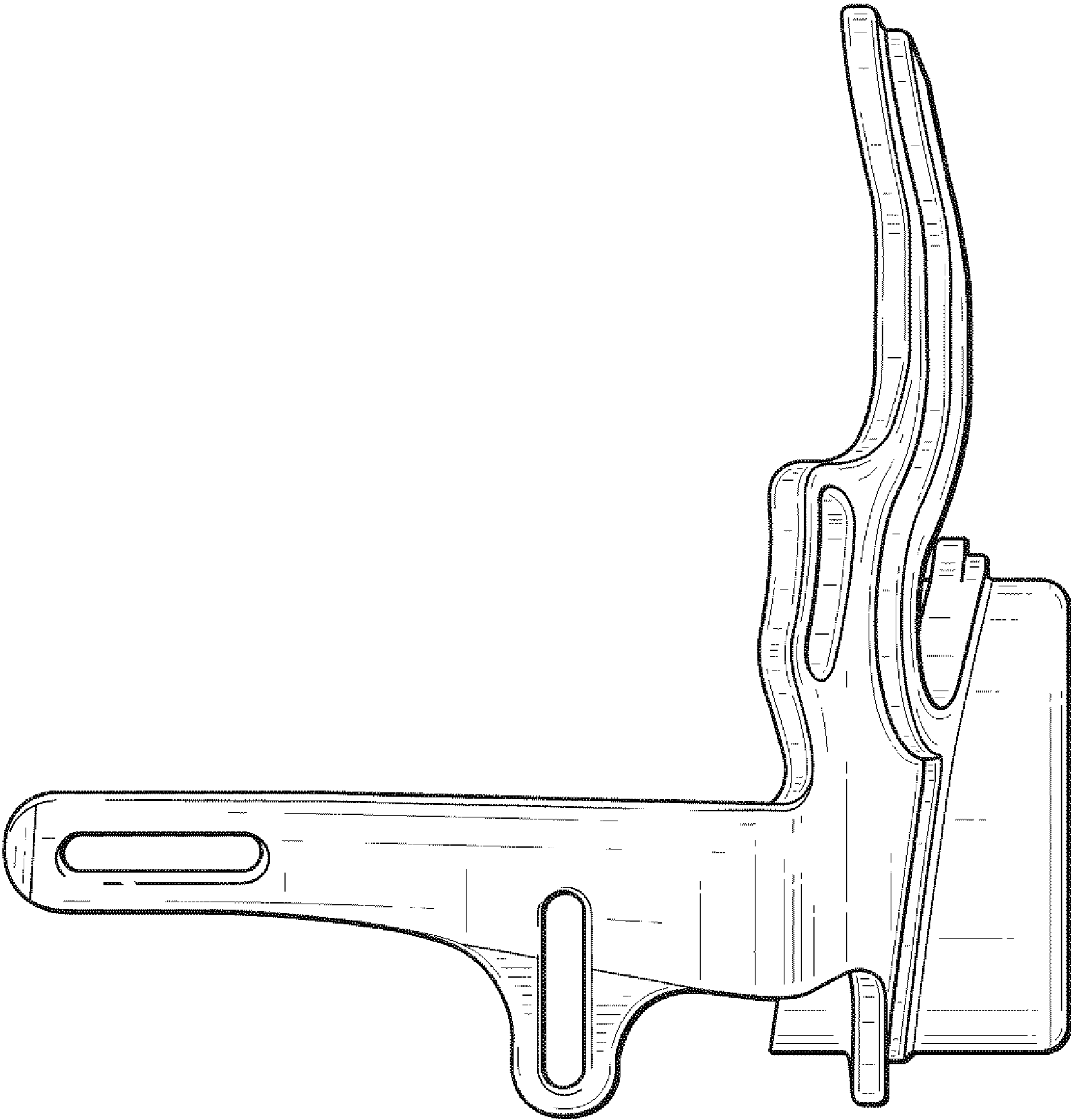


FIG. 4

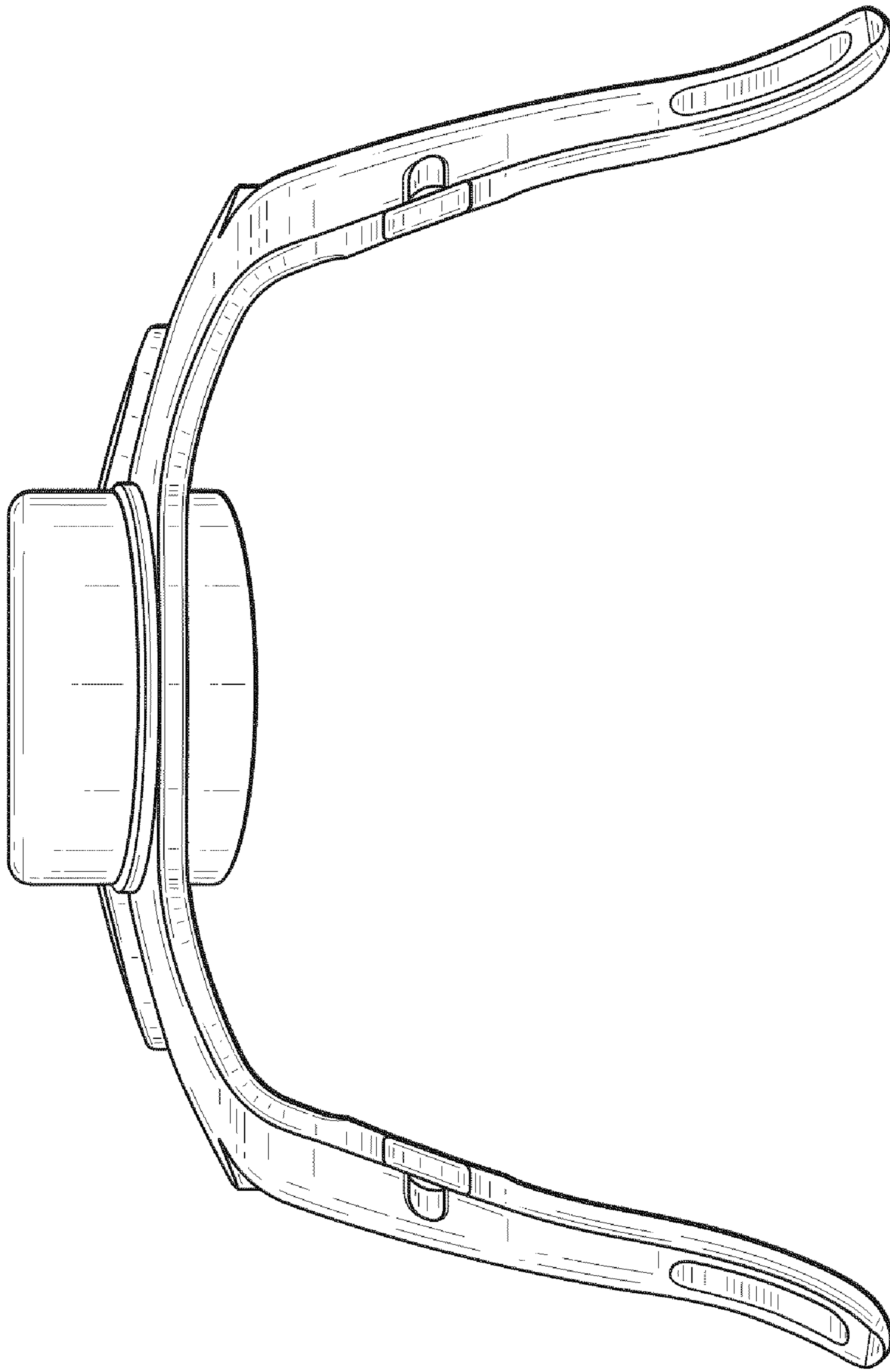


FIG. 5

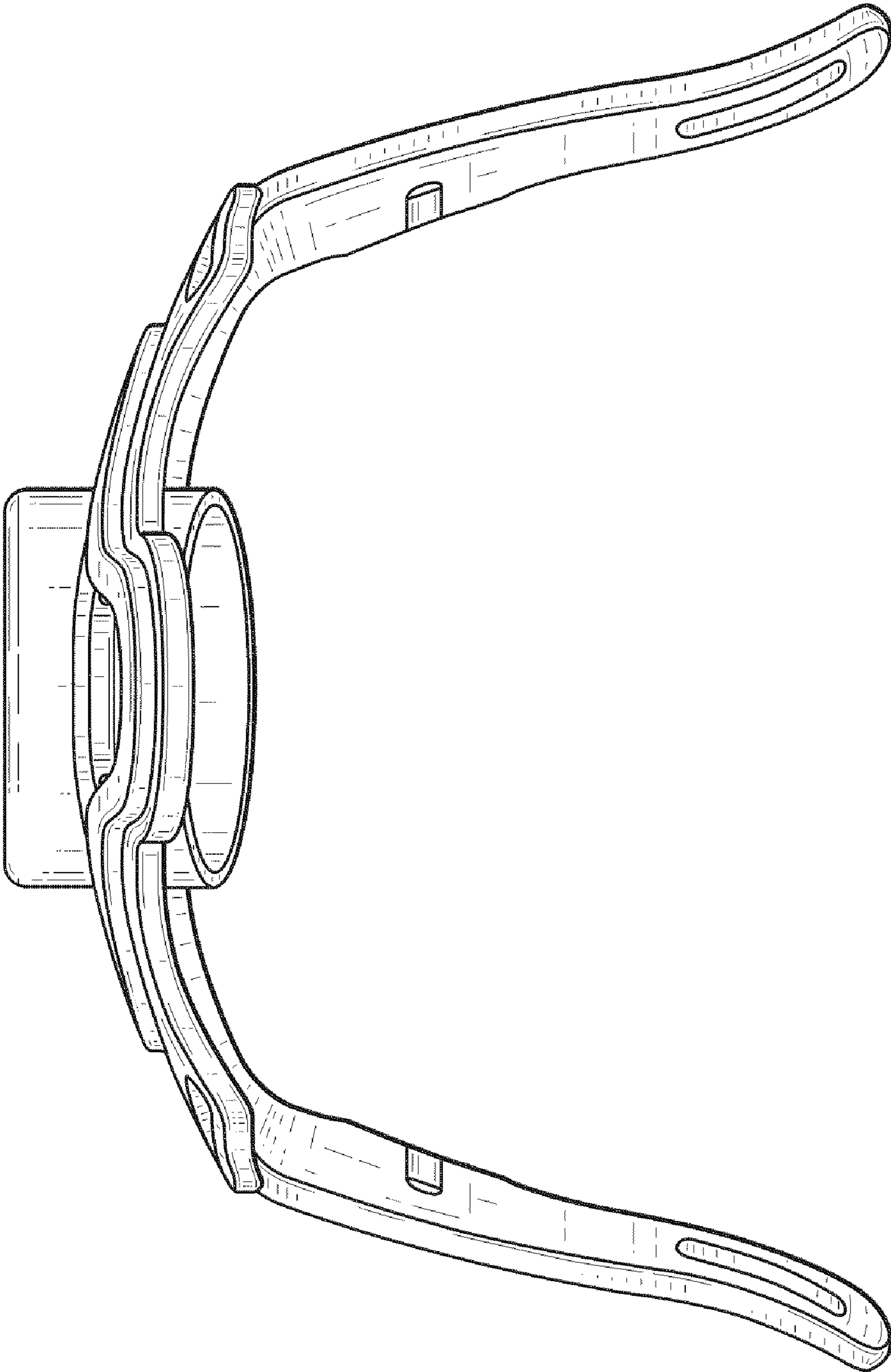


FIG. 6