



US00D645557S

(12) **United States Design Patent**  
**Scheiner et al.**

(10) **Patent No.:** **US D645,557 S**  
(45) **Date of Patent:** **\*\* Sep. 20, 2011**

(54) **PAIRED SET OF PRONGS FOR PATIENT INTERFACE**

(75) Inventors: **Rupert Christian Scheiner**, Davidson (AU); **Christopher Scott Skipper**, West Ryde (AU); **Gregory Scott Smart**, Randwick (AU); **Steven John Lubke**, Stanmore (AU)

(73) Assignee: **ResMed Limited**, Bella Vista (AU)

(\*\*) Term: **14 Years**

(21) Appl. No.: **29/277,367**

(22) Filed: **Feb. 22, 2007**

**Related U.S. Application Data**

(62) Division of application No. 29/258,792, filed on Apr. 28, 2006, now Pat. No. Des. 623,288.

(51) **LOC (9) Cl.** ..... **29-02**

(52) **U.S. Cl.** ..... **D24/110.1; D24/110.5**

(58) **Field of Classification Search** ..... D24/110.1, D24/110.4, 110.5, 110.6; 128/207.18, 207.11, 128/206.11, 206.21, 205.25

See application file for complete search history.

(56) **References Cited**

**U.S. PATENT DOCUMENTS**

1,125,542 A 1/1915 Humphries  
(Continued)

**FOREIGN PATENT DOCUMENTS**

DE 146688 2/1981  
(Continued)

**OTHER PUBLICATIONS**

Respironics Co.—Mask Family—<http://maskfamily.respironics.com/> viewed on Jul. 24, 2006.

(Continued)

*Primary Examiner* — Ian Simmons

*Assistant Examiner* — Rashida Johnson

(74) *Attorney, Agent, or Firm* — Nixon & Vanderhye P.C.

(57) **CLAIM**

The ornamental design for a paired set of prongs for a patient interface, as shown and described.

**DESCRIPTION**

FIG. 1 is a front perspective view of a paired set of prongs for a patient interface according to a first embodiment of our design;

FIG. 2 is a bottom perspective view thereof;

FIG. 3 is a front view thereof;

FIG. 4 is a rear view thereof;

FIG. 5 is a top view thereof;

FIG. 6 is a bottom view thereof;

FIG. 7 is a left side view thereof;

FIG. 8 is a right side view thereof;

FIG. 9 is a front perspective view of a paired set of prongs for a patient interface according to a second embodiment of our design;

FIG. 10 is a bottom perspective view thereof;

FIG. 11 is a front view thereof;

FIG. 12 is a rear view thereof;

FIG. 13 is a top view thereof;

FIG. 14 is a bottom view thereof;

FIG. 15 is a left side view thereof;

FIG. 16 is a right side view thereof;

FIG. 17 is a front perspective view of a paired set of prongs for a patient interface according to a third embodiment of our design;

FIG. 18 is a bottom perspective view thereof;

FIG. 19 is a front view thereof;

FIG. 20 is a rear view thereof;

FIG. 21 is a top view thereof;

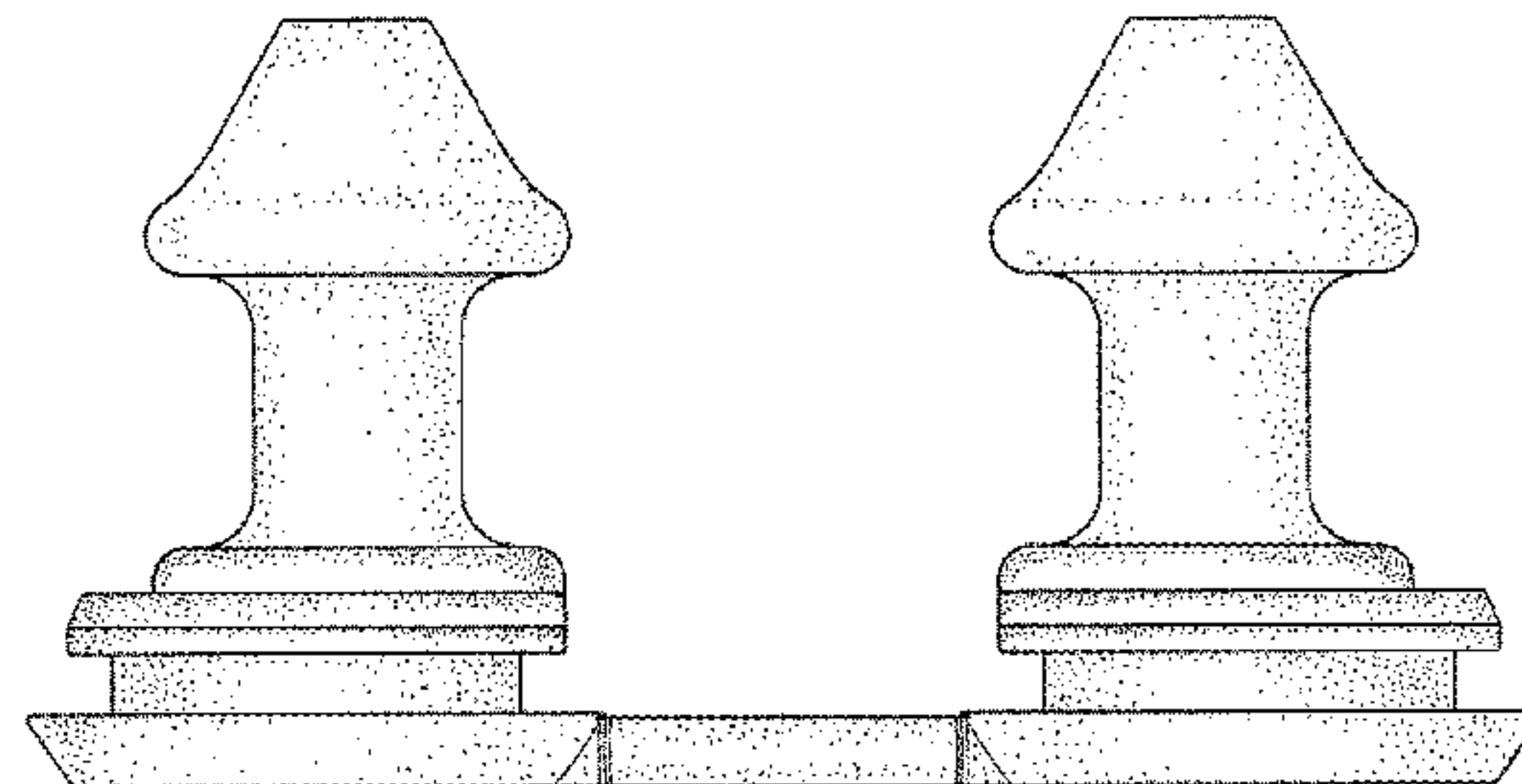
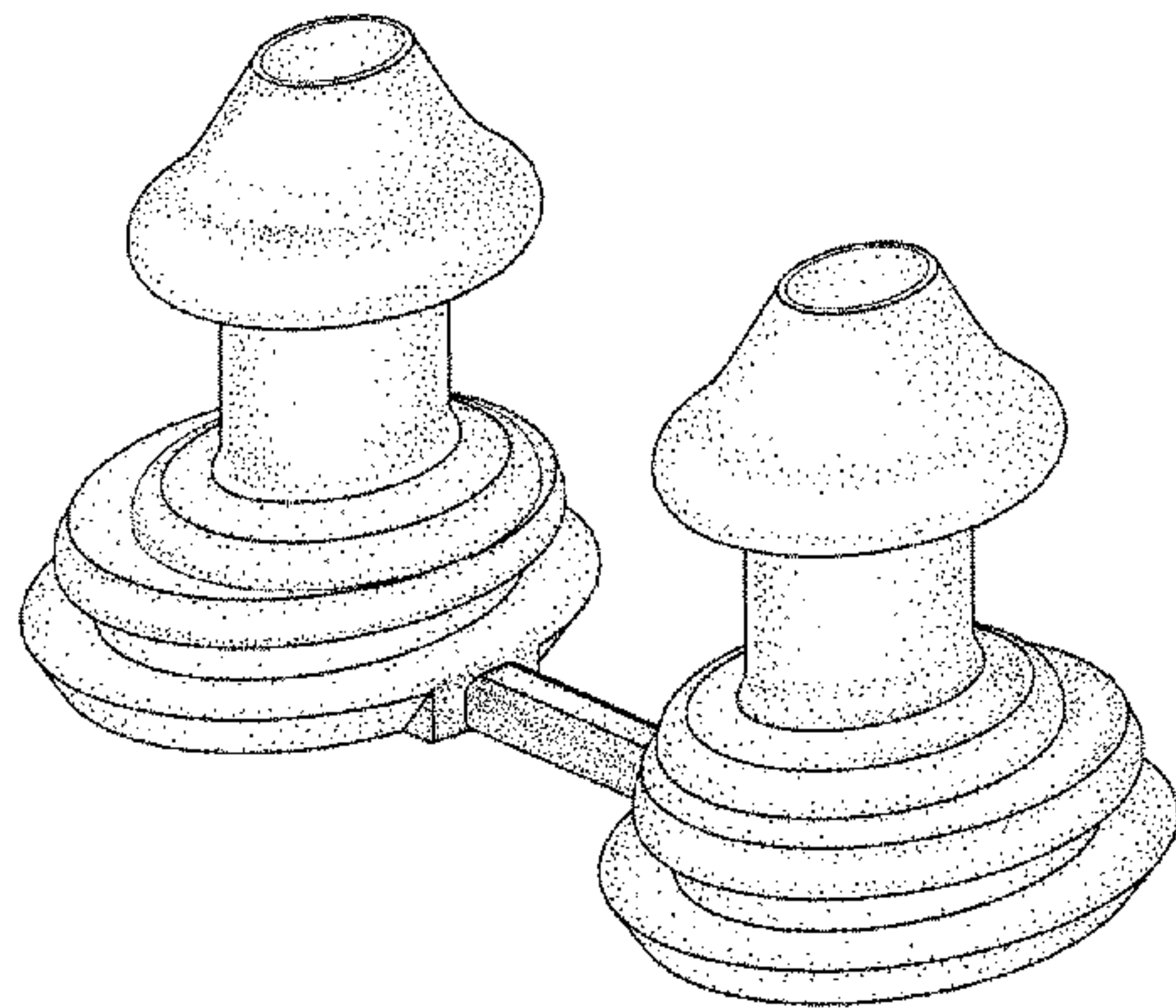
FIG. 22 is a bottom view thereof;

FIG. 23 is a left side view thereof; and,

FIG. 24 is a right side view thereof.

FIGS. 1-24 use stippling which is not part of the claimed design.

**1 Claim, 9 Drawing Sheets**



U.S. PATENT DOCUMENTS

3,670,726 A 6/1972 Mahon et al.  
 3,739,774 A 6/1973 Gregory  
 3,754,552 A 8/1973 King  
 3,861,385 A 1/1975 Carden  
 3,902,486 A 9/1975 Guichard  
 3,905,361 A 9/1975 Hewson et al.  
 4,156,426 A 5/1979 Gold  
 4,267,845 A 5/1981 Robertson, Jr. et al.  
 4,273,124 A 6/1981 Zimmerman  
 4,312,359 A 1/1982 Olson  
 4,367,735 A 1/1983 Dali  
 4,367,816 A 1/1983 Wilkes  
 4,406,283 A 9/1983 Bir  
 4,422,456 A 12/1983 Teip  
 4,493,614 A 1/1985 Chu et al.  
 4,549,542 A 10/1985 Chien  
 4,587,967 A 5/1986 Chu et al.  
 4,601,465 A 7/1986 Roy  
 4,617,637 A 10/1986 Chu et al.  
 4,660,555 A 4/1987 Payton  
 4,699,139 A 10/1987 Marshall et al.  
 4,706,664 A 11/1987 Snook et al.  
 4,753,233 A 6/1988 Grimes  
 4,774,946 A 10/1988 Ackerman et al.  
 4,782,832 A \* 11/1988 Trimble et al. .... 128/207.18  
 4,899,740 A 2/1990 Napolitano  
 4,915,105 A 4/1990 Lee  
 4,996,983 A 3/1991 Amrhein  
 5,000,173 A 3/1991 Zalkin et al.  
 5,022,900 A 6/1991 Bar-Yona et al.  
 5,025,805 A 6/1991 Nutter  
 5,038,772 A 8/1991 Kolbe et al.  
 5,046,491 A 9/1991 Derrick  
 5,074,297 A 12/1991 Venegas  
 5,113,857 A 5/1992 Dickerman et al.  
 5,121,745 A 6/1992 Israel  
 5,127,397 A 7/1992 Kohnke  
 5,137,017 A 8/1992 Salter  
 D333,015 S 2/1993 Farmer et al.  
 5,188,101 A 2/1993 Tumolo  
 5,265,592 A 11/1993 Beaussant  
 5,265,595 A 11/1993 Rudolph  
 5,269,296 A 12/1993 Landis  
 5,271,391 A 12/1993 Graves  
 5,299,599 A 4/1994 Farmer et al.  
 5,335,656 A 8/1994 Bowe et al.  
 5,355,893 A 10/1994 Mick et al.  
 5,372,130 A 12/1994 Stem et al.  
 5,375,593 A 12/1994 Press  
 5,385,141 A 1/1995 Granatiero  
 5,394,568 A 3/1995 Brostrom et al.  
 5,396,885 A 3/1995 Nelson  
 5,398,676 A 3/1995 Press et al.  
 5,400,776 A 3/1995 Bartholomew  
 5,425,359 A 6/1995 Liou  
 5,437,267 A 8/1995 Weinstein et al.  
 5,509,409 A 4/1996 Weatherholt  
 5,526,806 A 6/1996 Sansoni  
 5,533,506 A 7/1996 Wood  
 5,560,354 A 10/1996 Berthon-Jones et al.

5,682,881 A 11/1997 Winthrop et al.  
 5,740,799 A 4/1998 Nielson  
 5,794,619 A 8/1998 Edeiman et al.  
 5,906,203 A 5/1999 Klockseth et al.  
 5,954,049 A 9/1999 Foley et al.  
 6,123,071 A 9/2000 Berthon-Jones et al.  
 6,357,441 B1 3/2002 Kwok et al.  
 6,431,172 B1 8/2002 Bordewick  
 6,439,234 B1 8/2002 Curti et al.  
 6,478,026 B1 11/2002 Wood  
 6,561,188 B1 5/2003 Ellis  
 6,561,193 B1 5/2003 Noble  
 6,571,798 B1 6/2003 Thornton  
 6,581,602 B2 6/2003 Kwok et al.  
 6,595,214 B1 7/2003 Hecker et al.  
 6,595,215 B2 7/2003 Wood  
 6,637,434 B2 10/2003 Noble  
 6,655,385 B1 12/2003 Curti et al.  
 6,679,265 B2 1/2004 Strickland et al.  
 6,766,800 B2 7/2004 Chu et al.  
 D533,269 S \* 12/2006 McAuley et al. .... D24/110.6  
 D542,912 S \* 5/2007 Gunaratnam et al. .... D24/110.5  
 7,318,437 B2 \* 1/2008 Gunaratnam et al. ... 128/206.11  
 D586,907 S \* 2/2009 Judson et al. .... D24/110.1  
 D588,258 S \* 3/2009 Judson et al. .... D24/110.1  
 7,562,659 B2 \* 7/2009 Matarasso ..... 128/207.18  
 2002/0046755 A1 4/2002 DeVoss  
 2002/0124849 A1 9/2002 Billette De Villemeur  
 2003/0079749 A1 5/2003 Strickland et al.  
 2003/0196658 A1 10/2003 Ging et al.  
 2004/0112384 A1 6/2004 Lithgow et al.  
 2005/0028822 A1 2/2005 Sleeper et al.  
 2005/0033247 A1 2/2005 Thompson  
 2005/0051176 A1 3/2005 Riggins  
 2005/0061326 A1 3/2005 Payne, Jr.  
 2006/0124131 A1 6/2006 Chandran et al.

FOREIGN PATENT DOCUMENTS

DE	37 19 009	12/1988
DE	199 44 242	3/2001
EP	0 658 356	6/1995
GB	532214	1/1941
WO	WO 01/97892	12/2001
WO	WO 2005/063328	7/2005

OTHER PUBLICATIONS

ResMed Co.—Mask Products—<http://resmed.com/portal/site/ResMedUS/index.jsp?...> viewed on Jul. 24, 2006.  
 Fisher and Paykel Co.—Product Family—<http://www.fphcare.com/osa/products.asp/> viewed on Jul. 24, 2006.  
 Hans Rudolph, Inc.—Mask Products—<http://www.rudolphkc.com/products.php?category=MASKS> viewed on Jul. 24, 2006.  
 Snapp Nasal Interface, Tiara Medical Systems, Inc.—[http://www.tiaramed.com/asp\\_shops/shopdisplayproducts.asp?id=109&cat=SNAPP%2A+Nasal+Interface](http://www.tiaramed.com/asp_shops/shopdisplayproducts.asp?id=109&cat=SNAPP%2A+Nasal+Interface) viewed on Jul. 24, 2006.  
 Provisional U.S. Appl. No. 60/634,802, filed Dec. 10, 2004.  
 Provisional U.S. Appl. No. 60/645,672, filed Jan. 21, 2005.  
 U.S. Appl. No. 29/258,792, filed Apr. 28, 2006.

\* cited by examiner



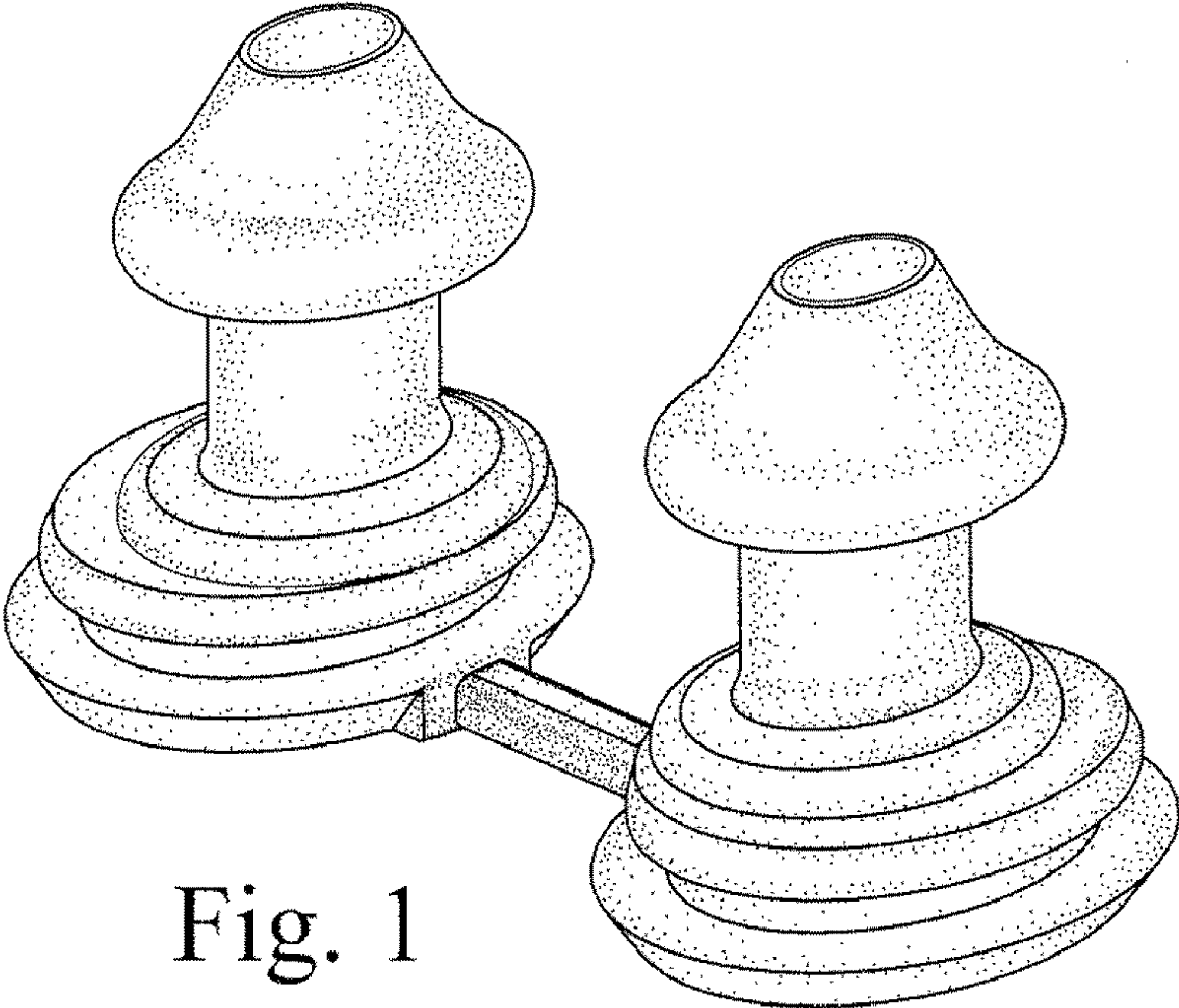


Fig. 1

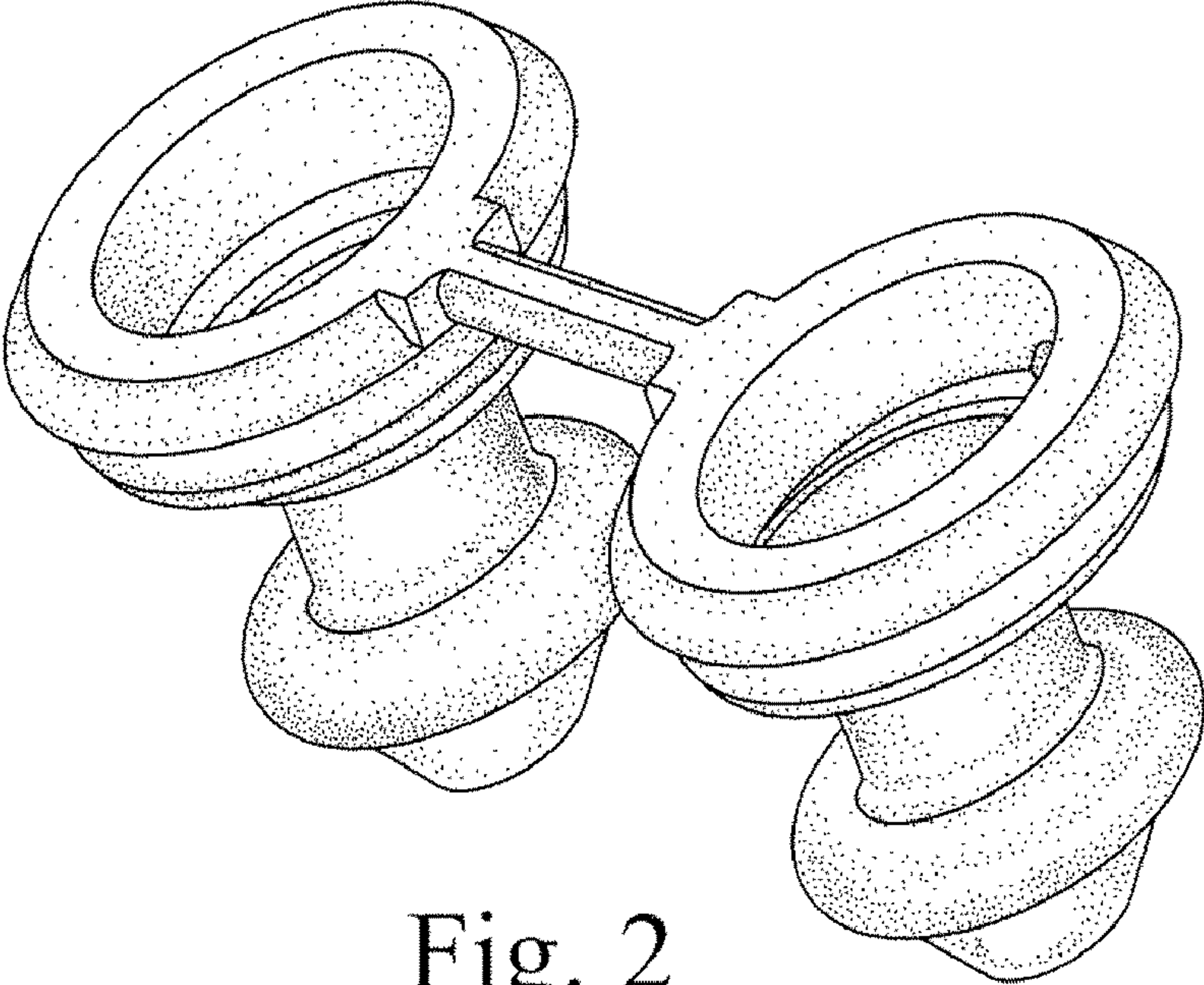


Fig. 2

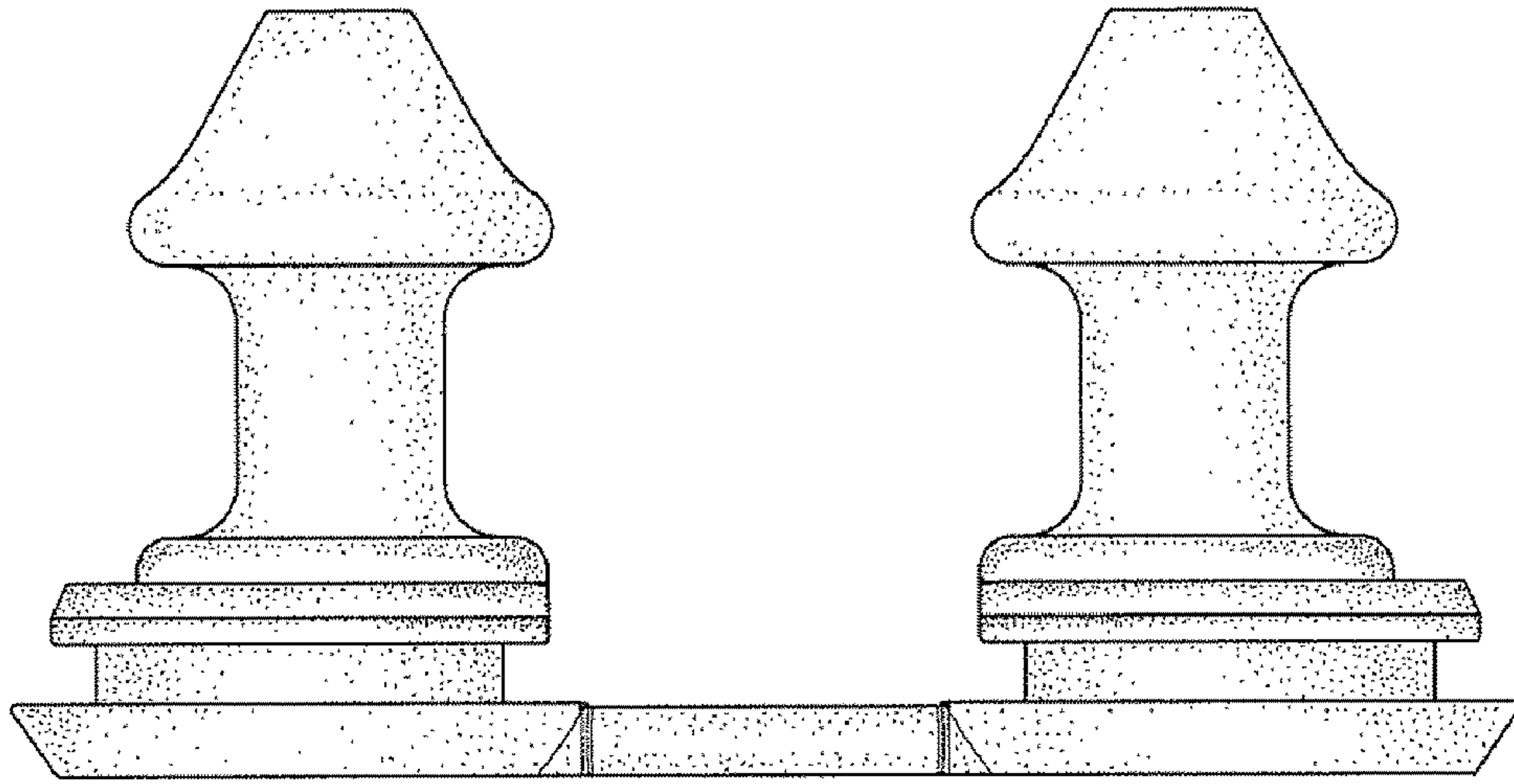


Fig. 3

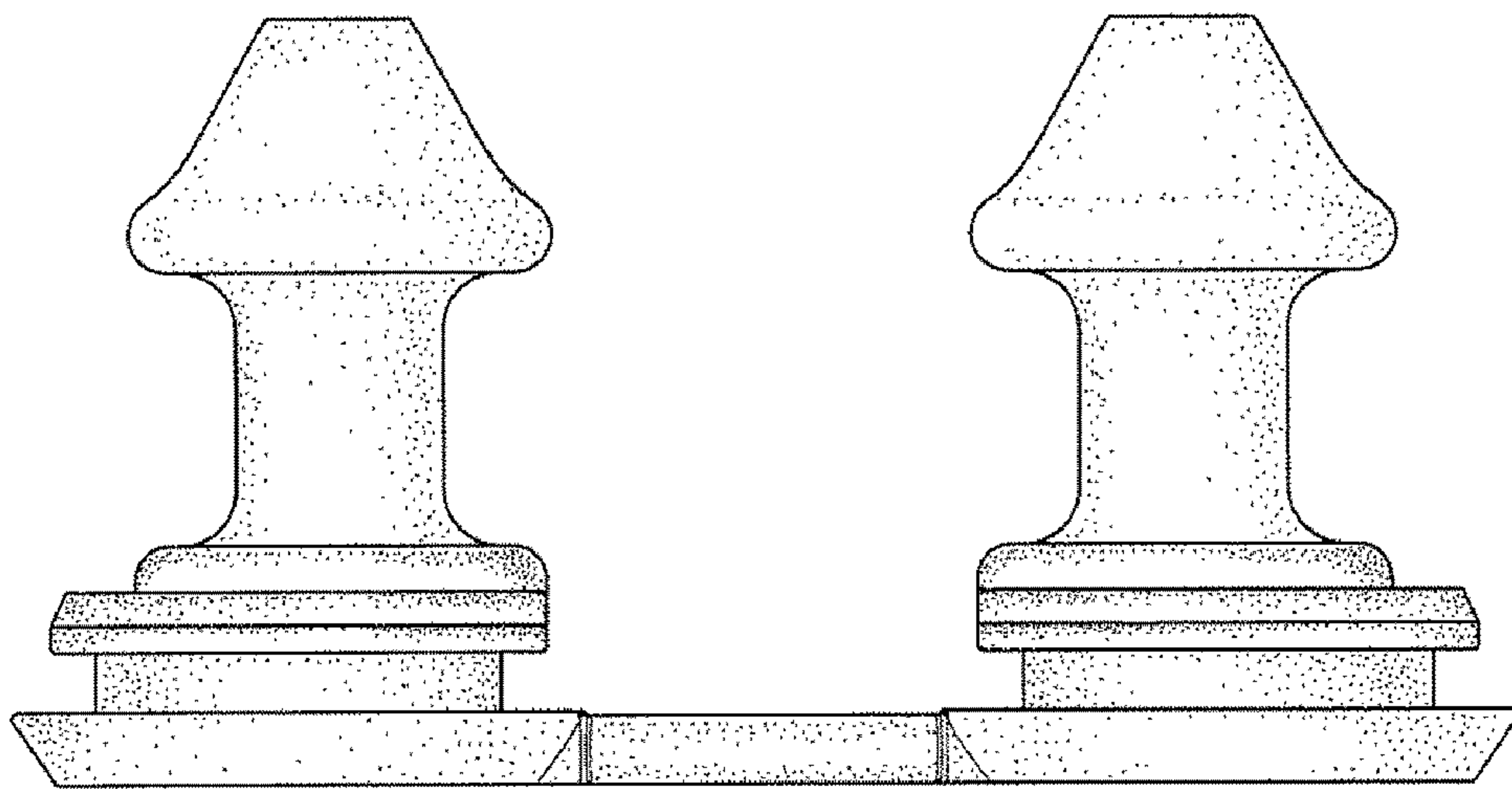


Fig. 4



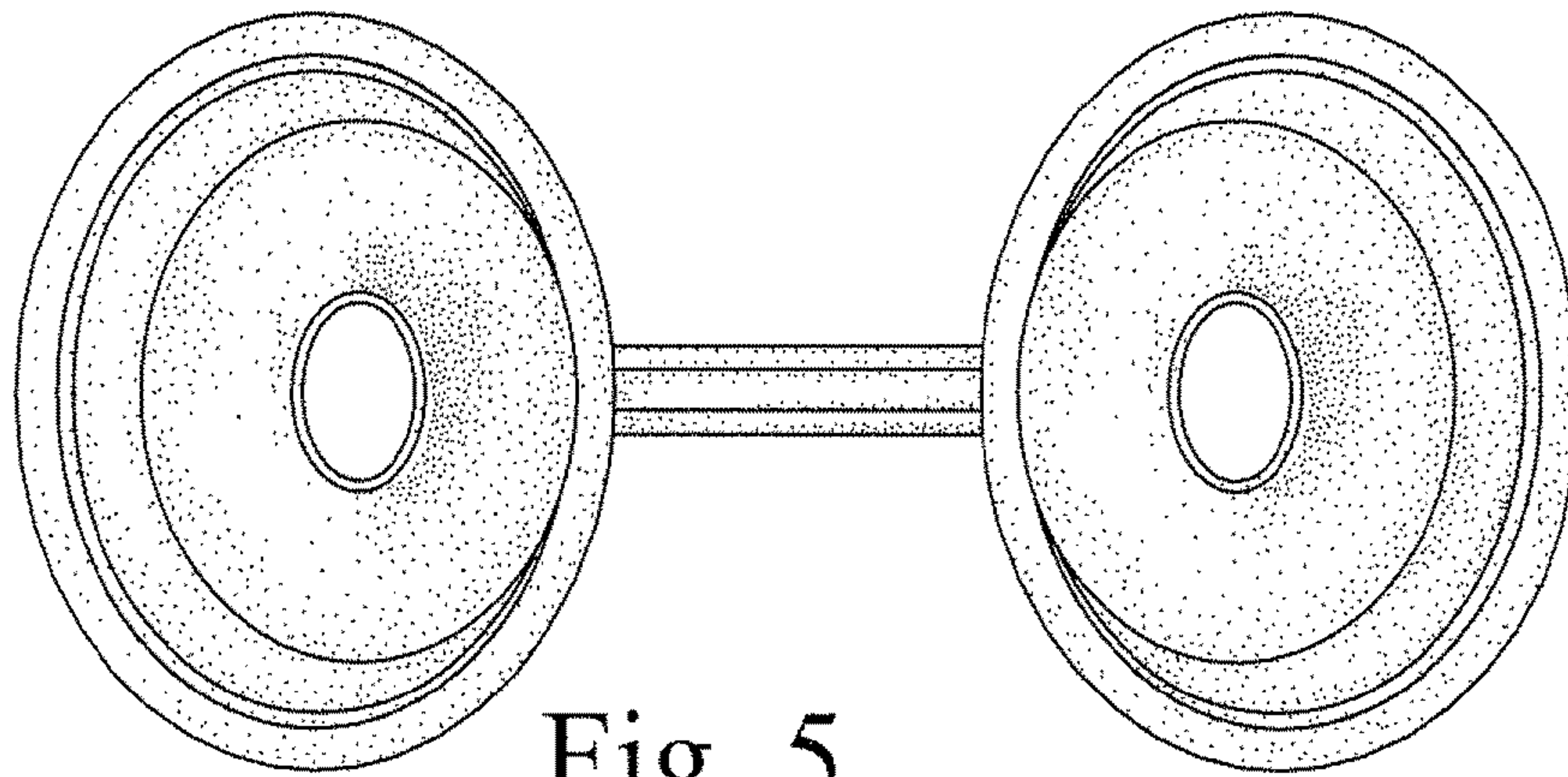


Fig. 5

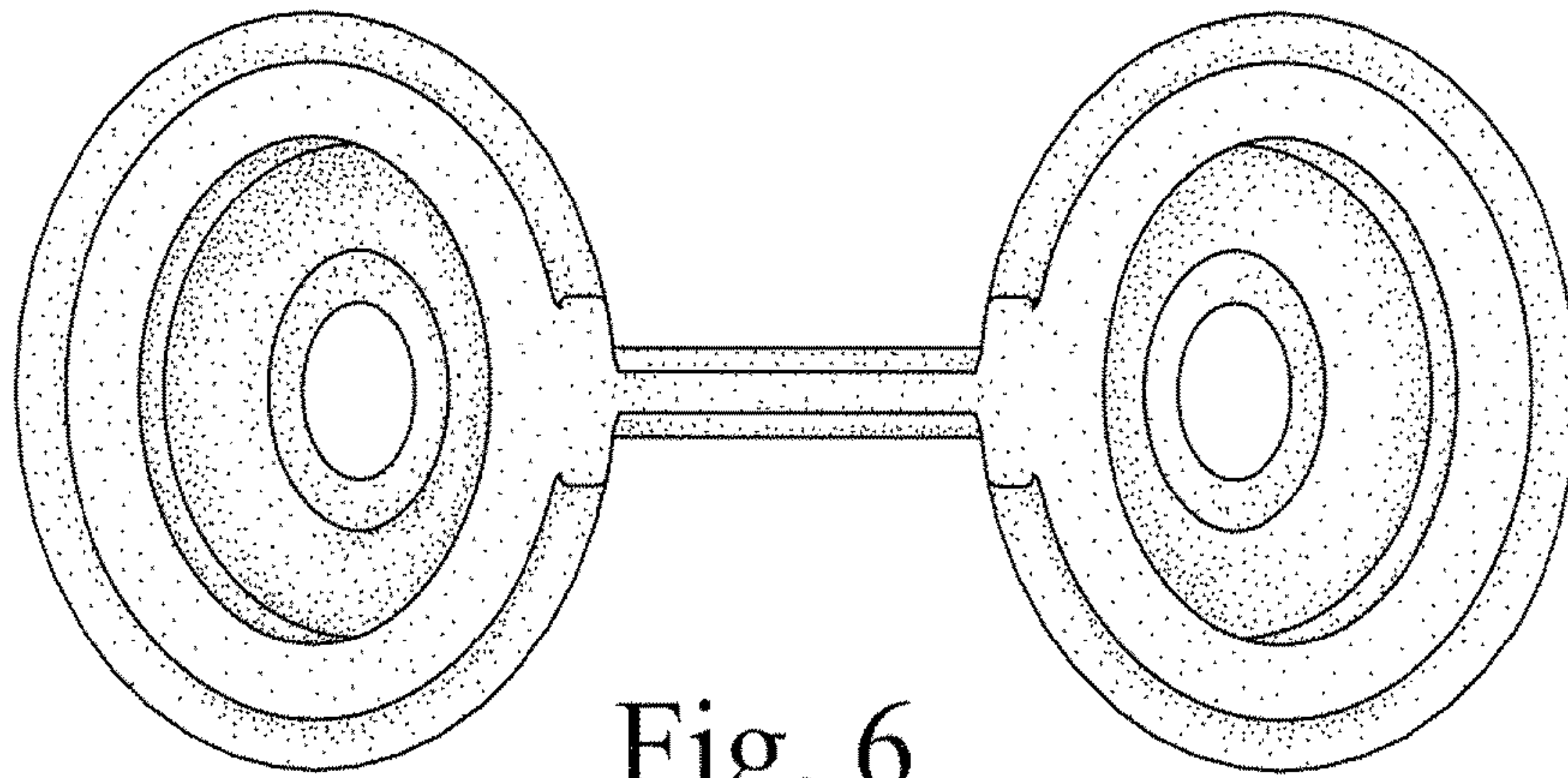


Fig. 6

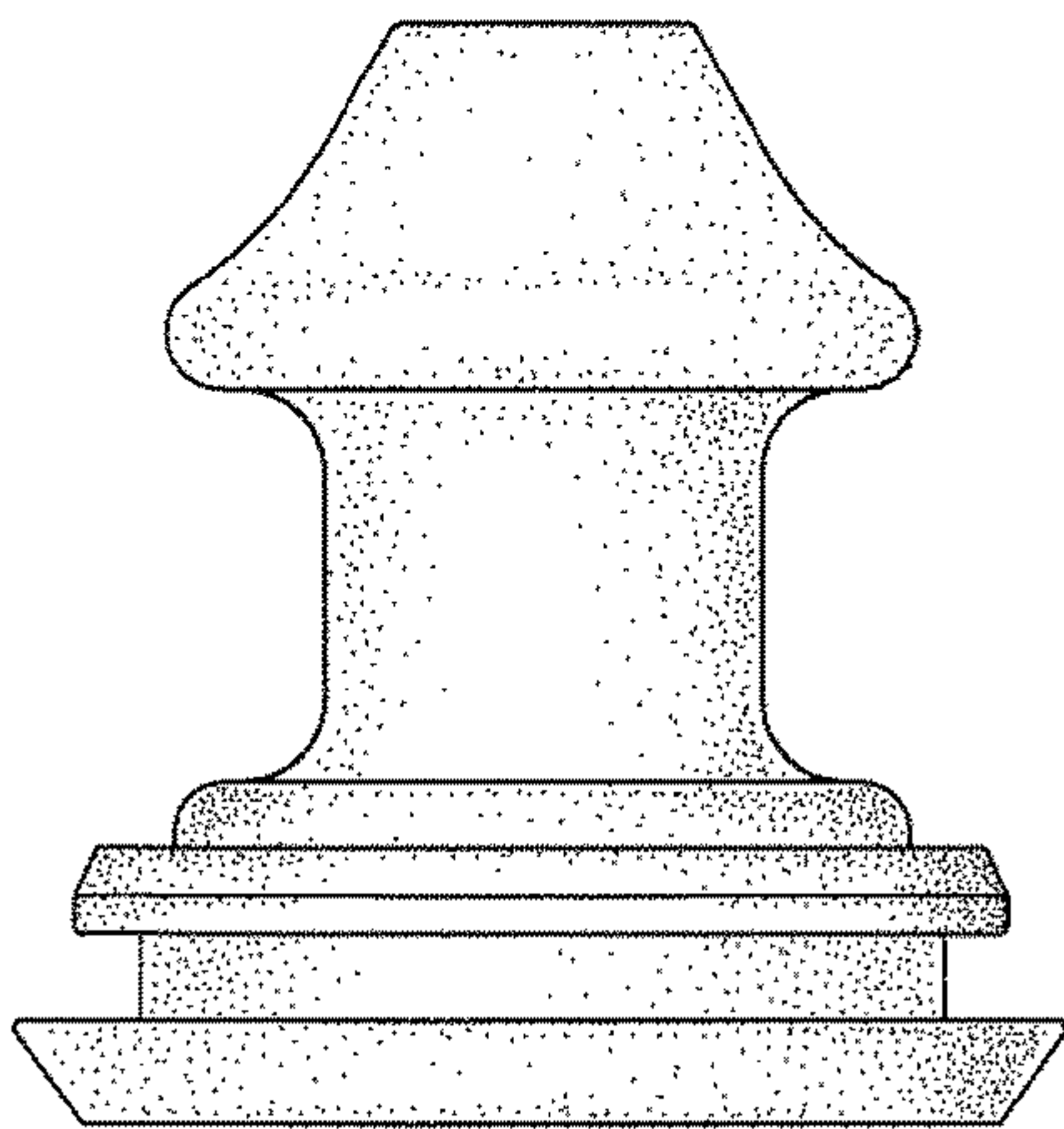


Fig. 7

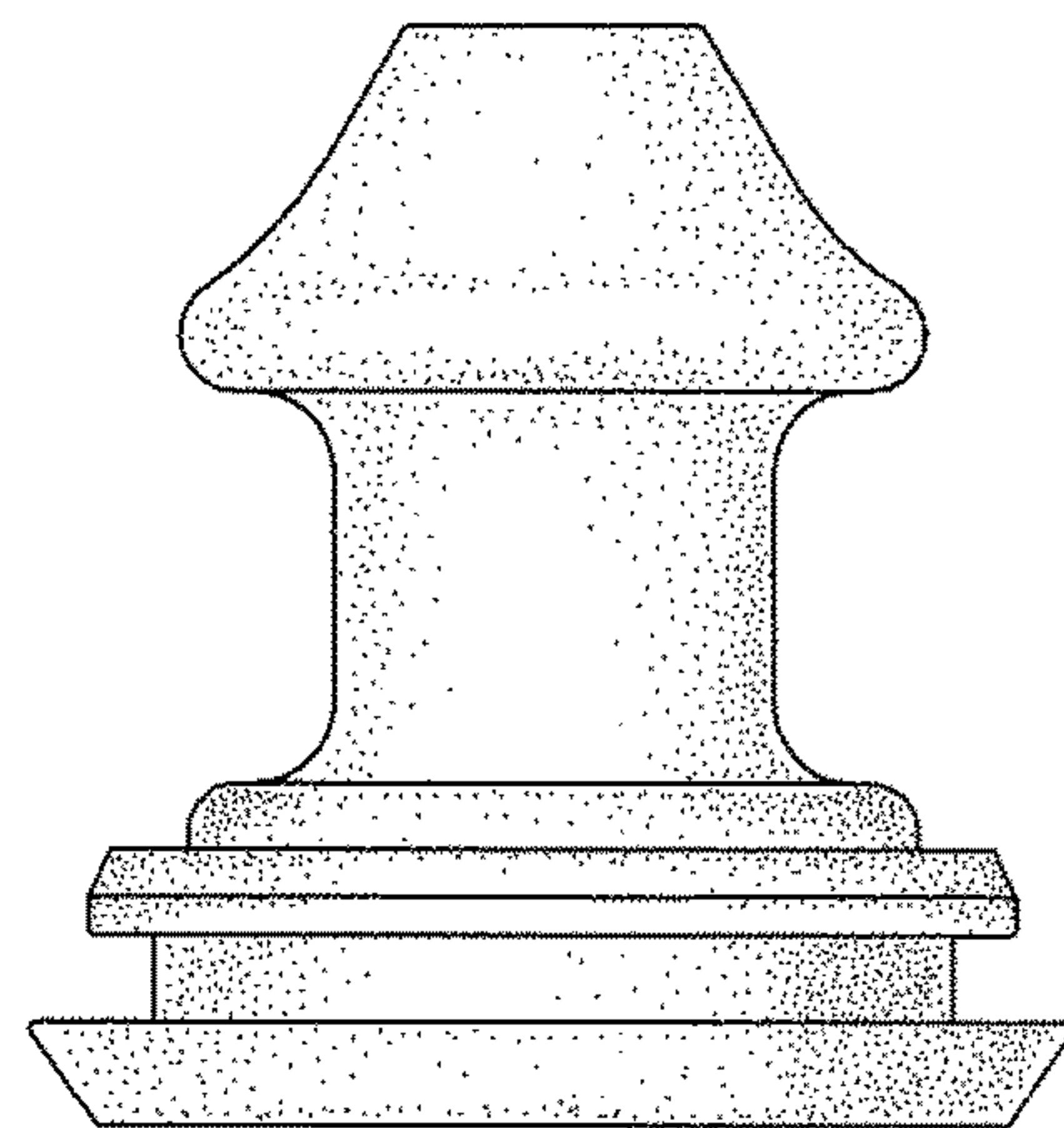


Fig. 8

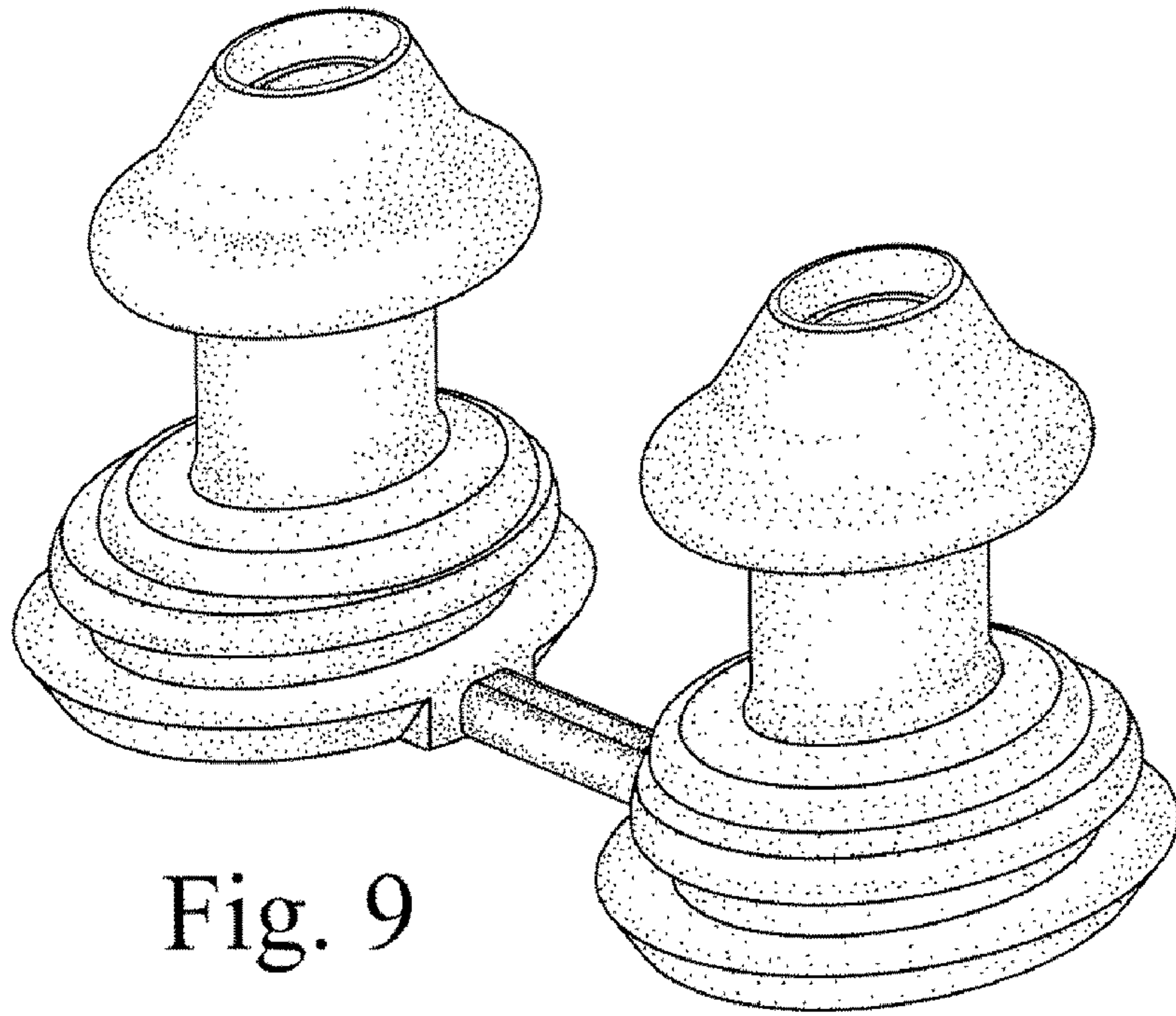


Fig. 9

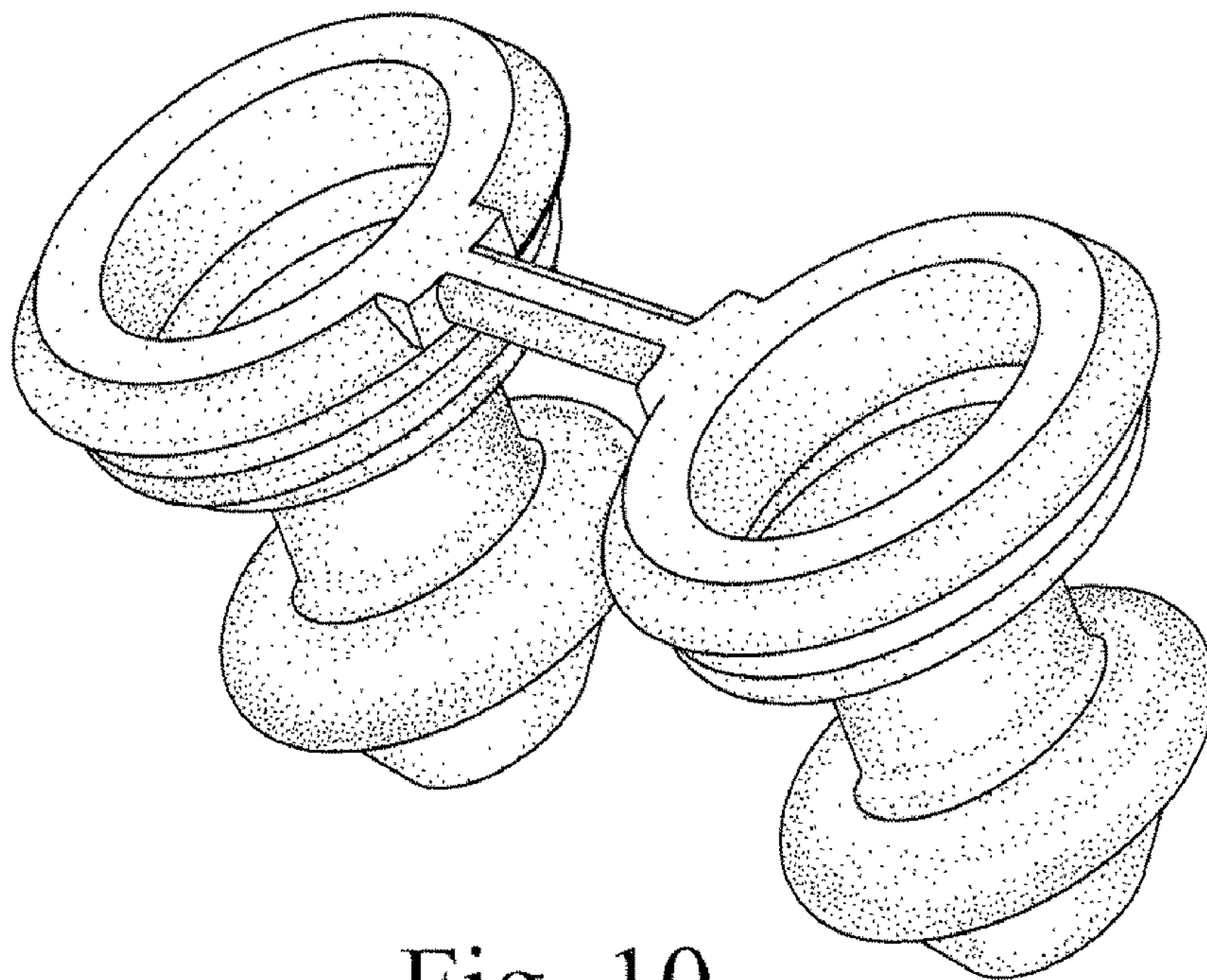


Fig. 10



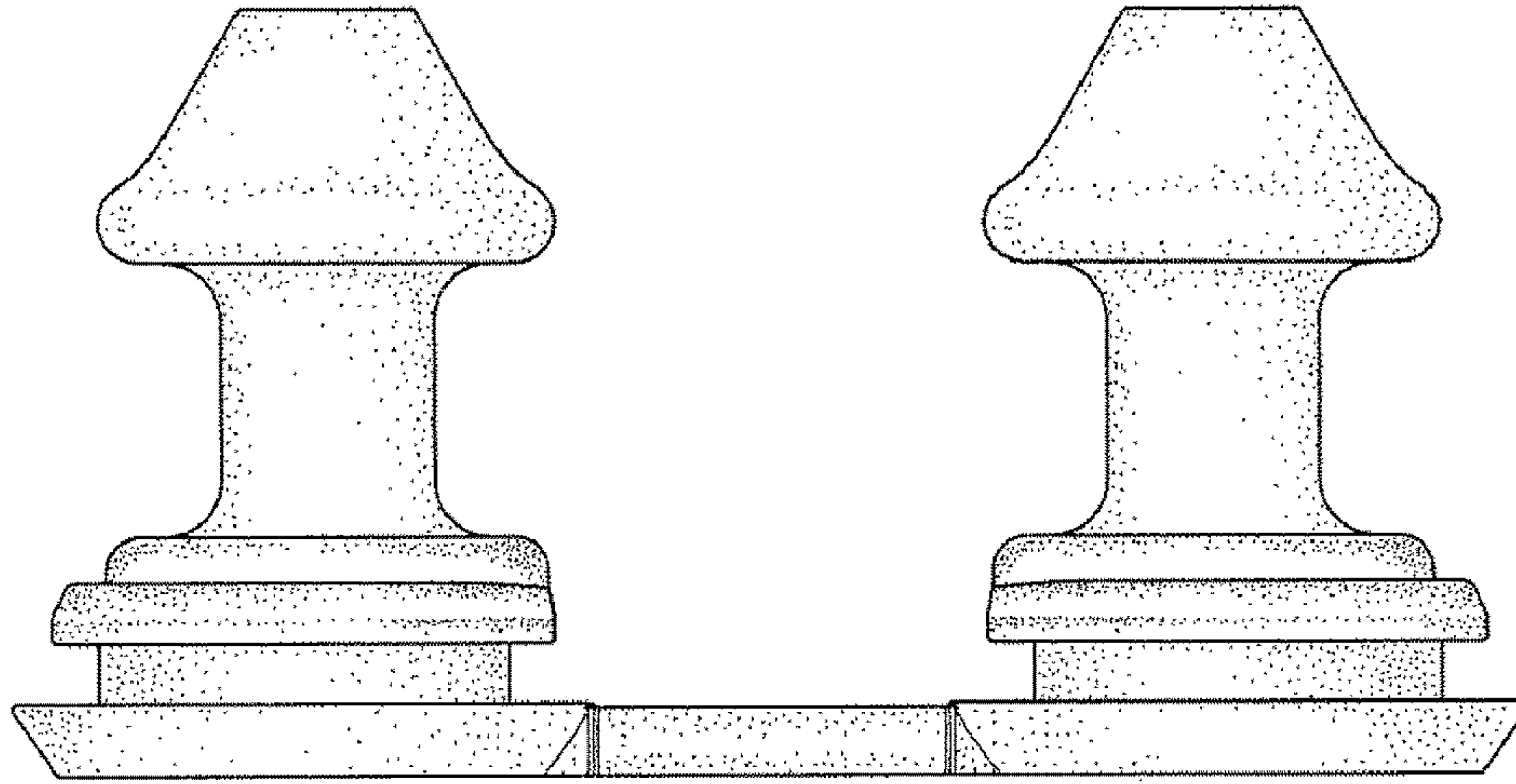


Fig. 11

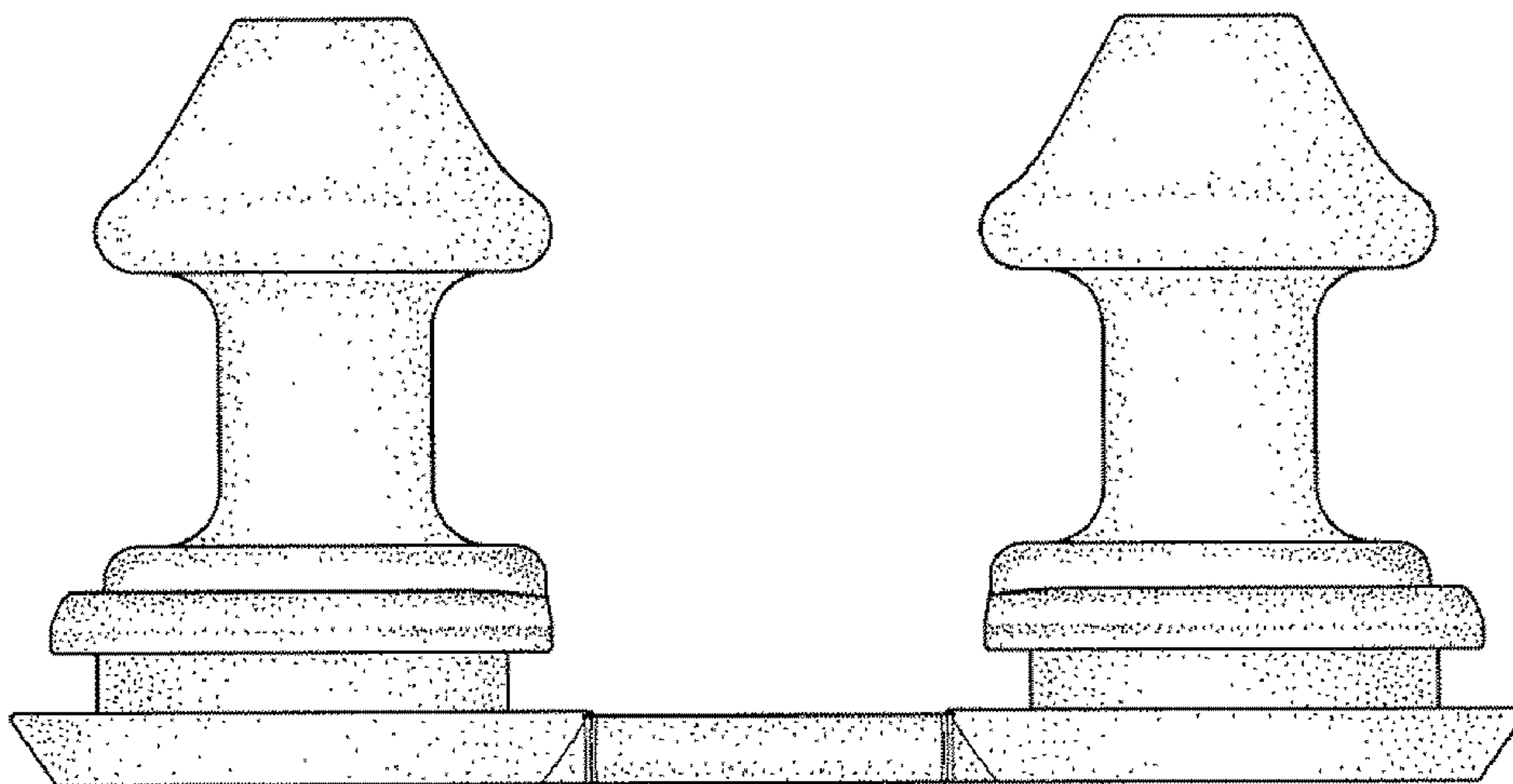


Fig. 12

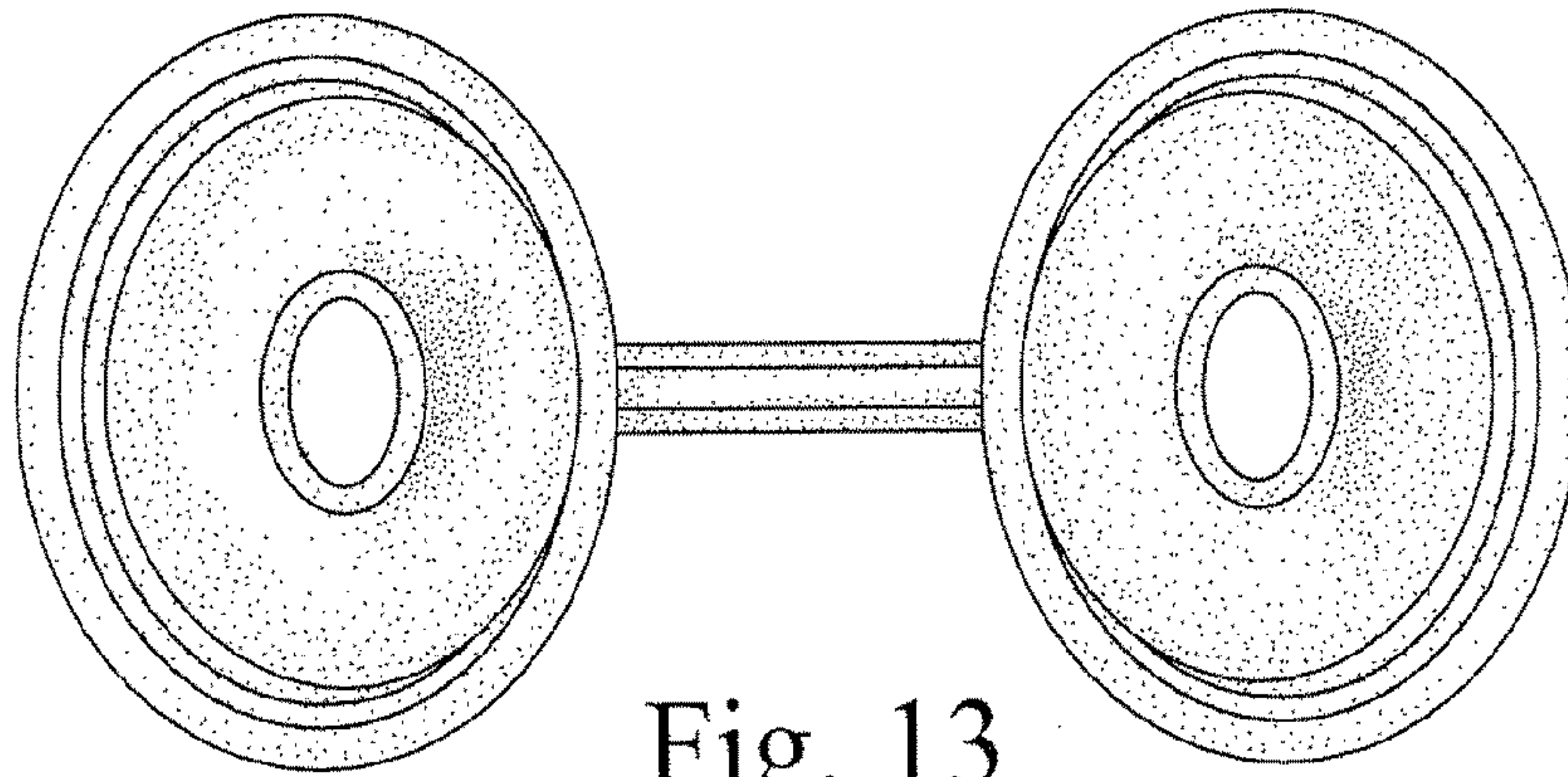


Fig. 13

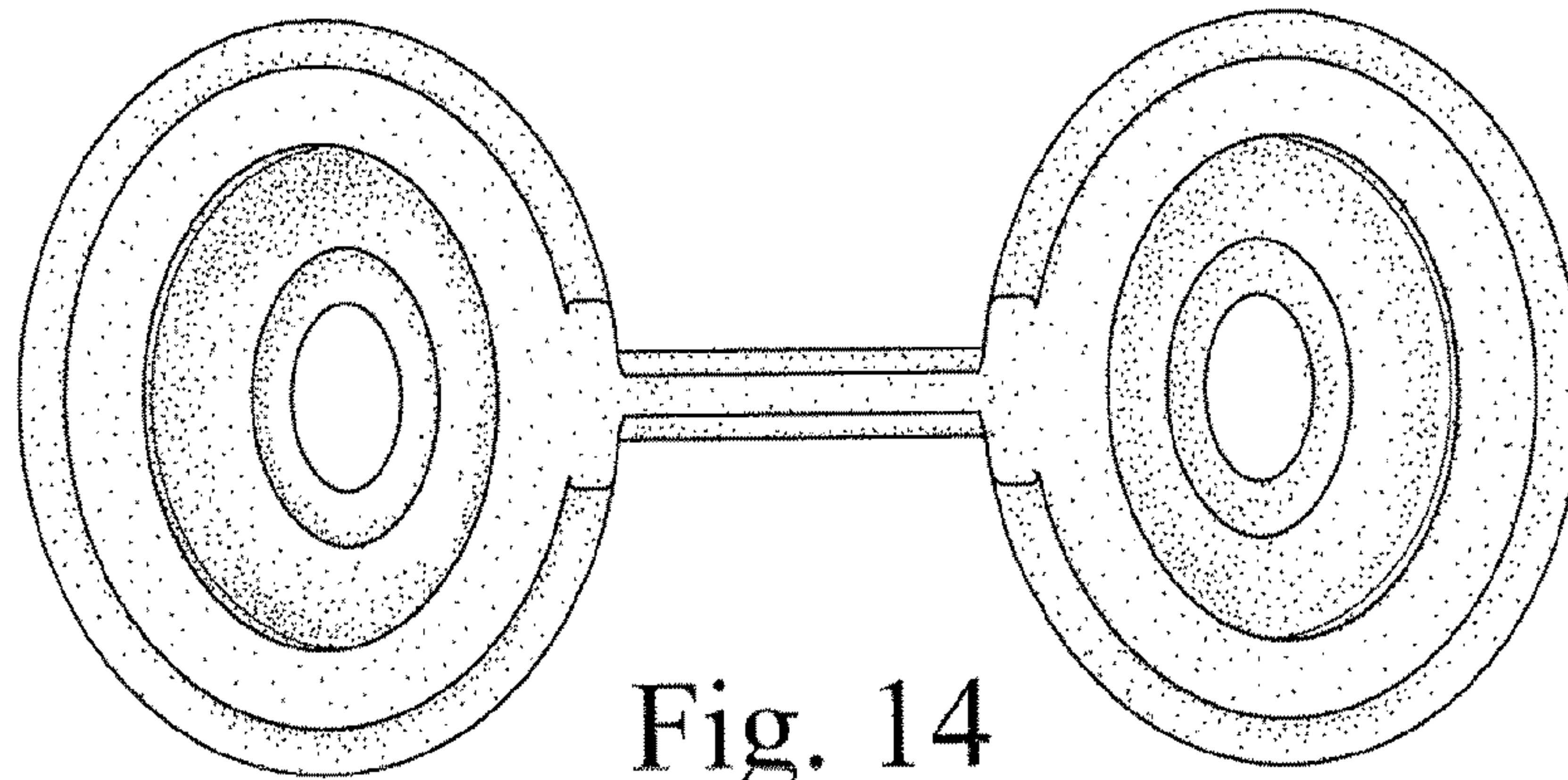


Fig. 14

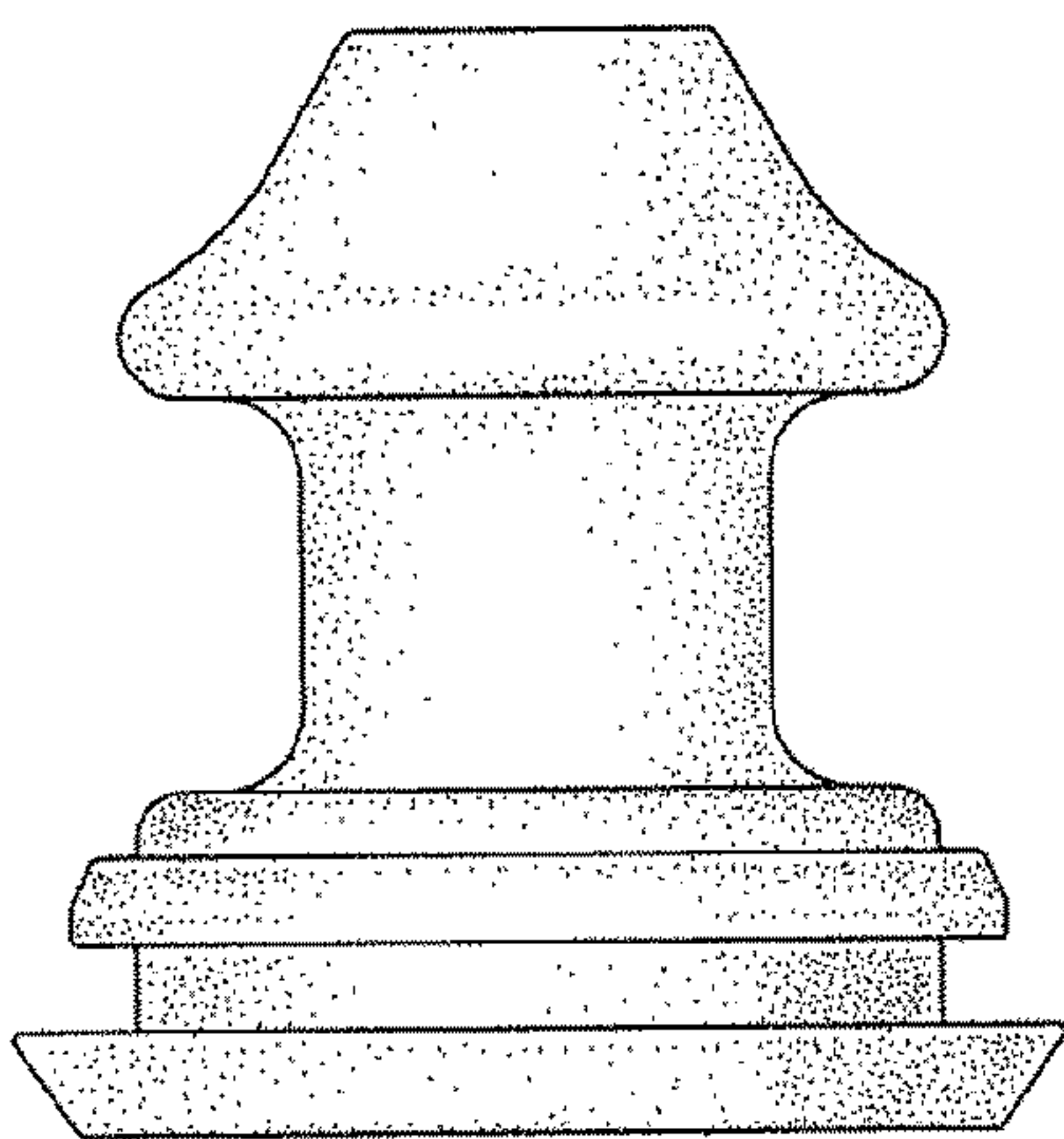


Fig. 15

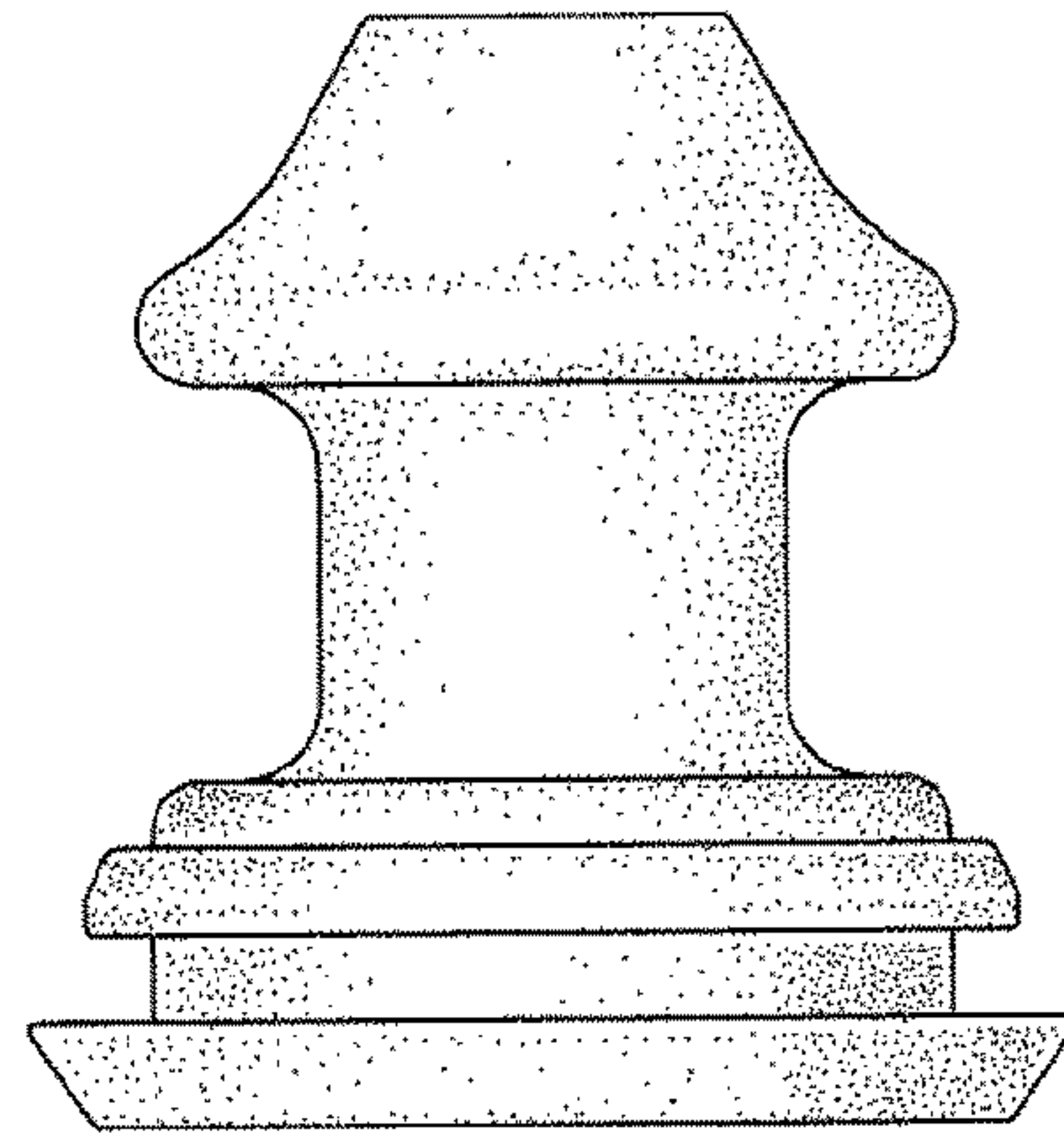


Fig. 16



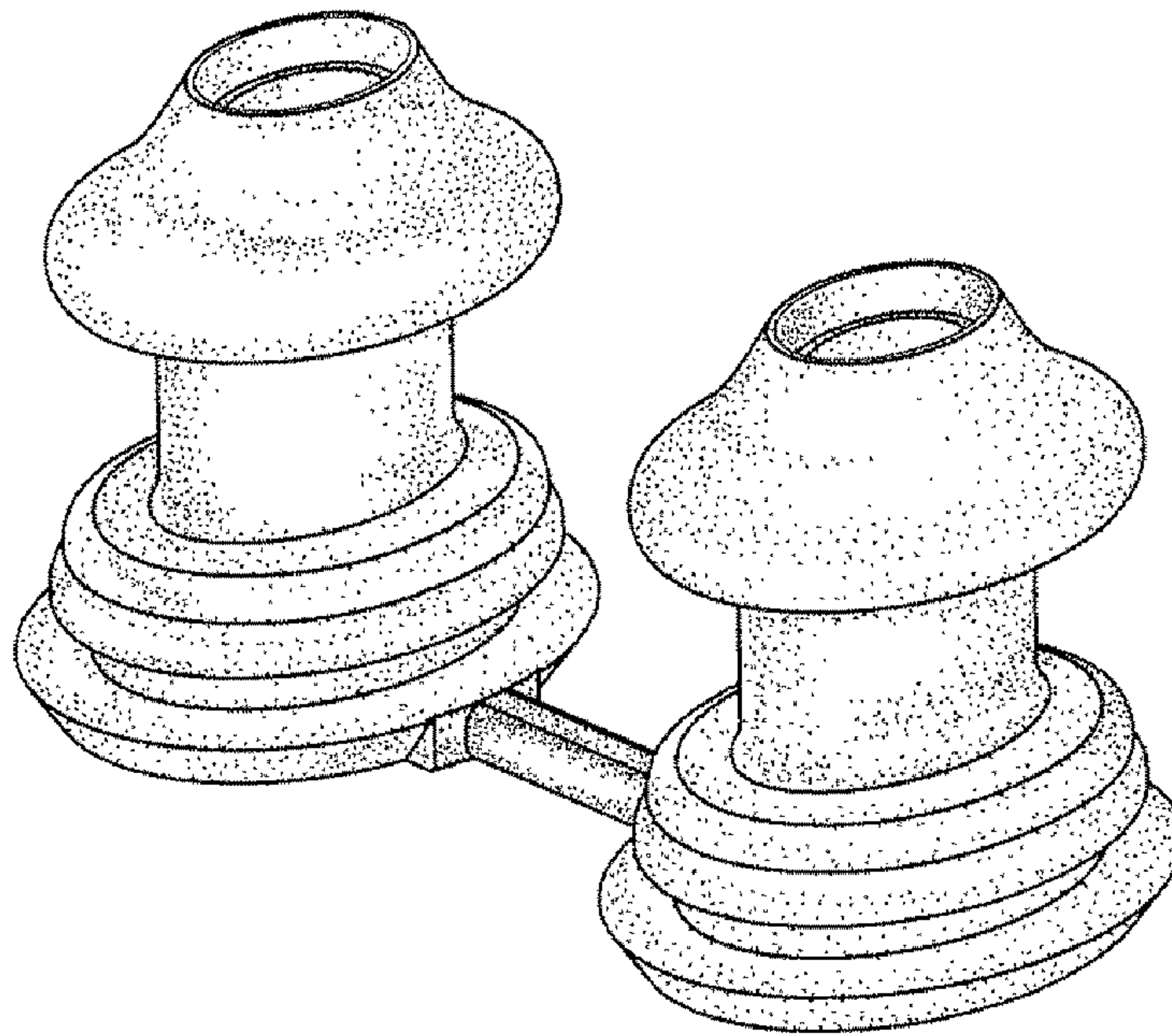


Fig. 17

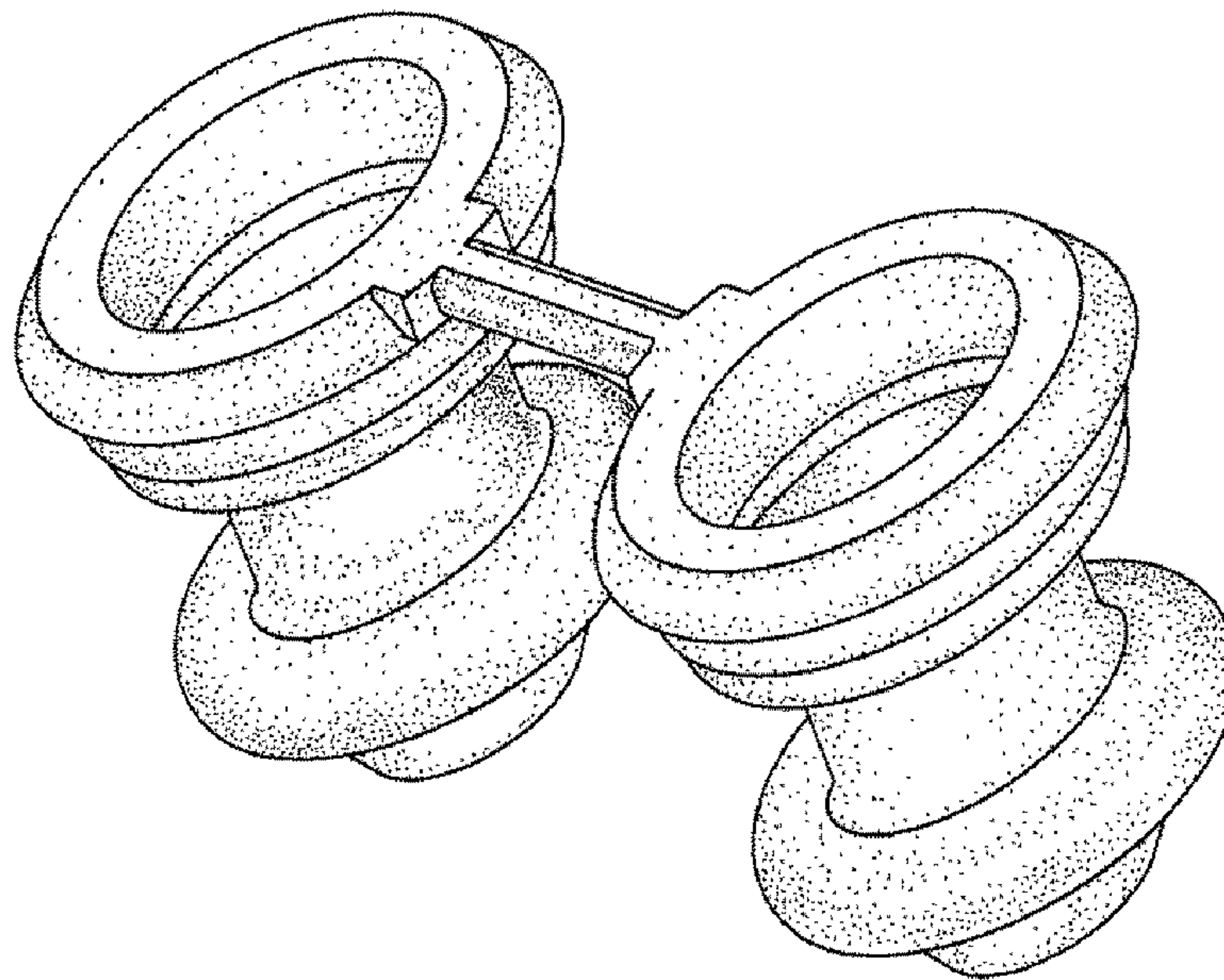


Fig. 18

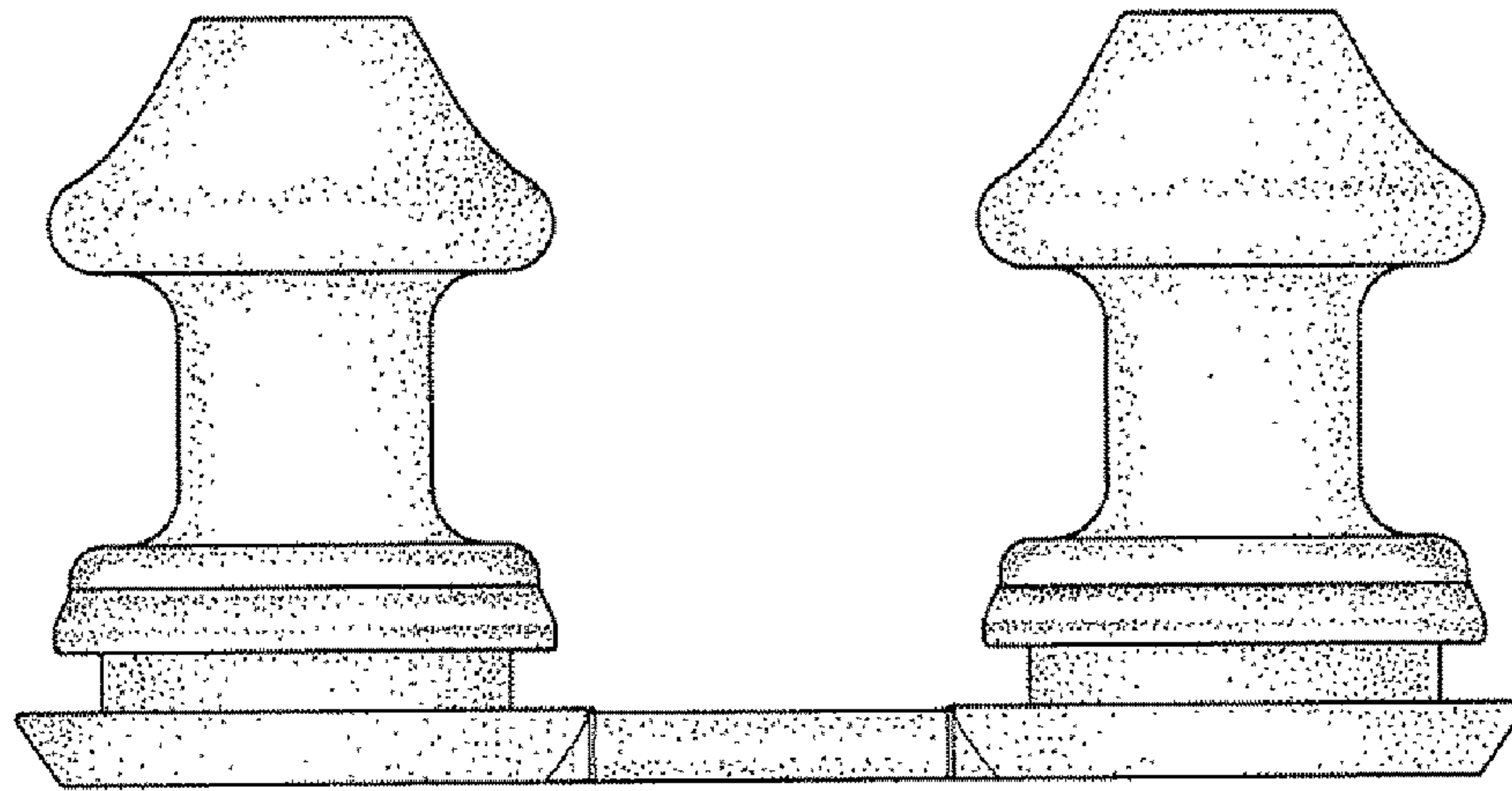


Fig. 19

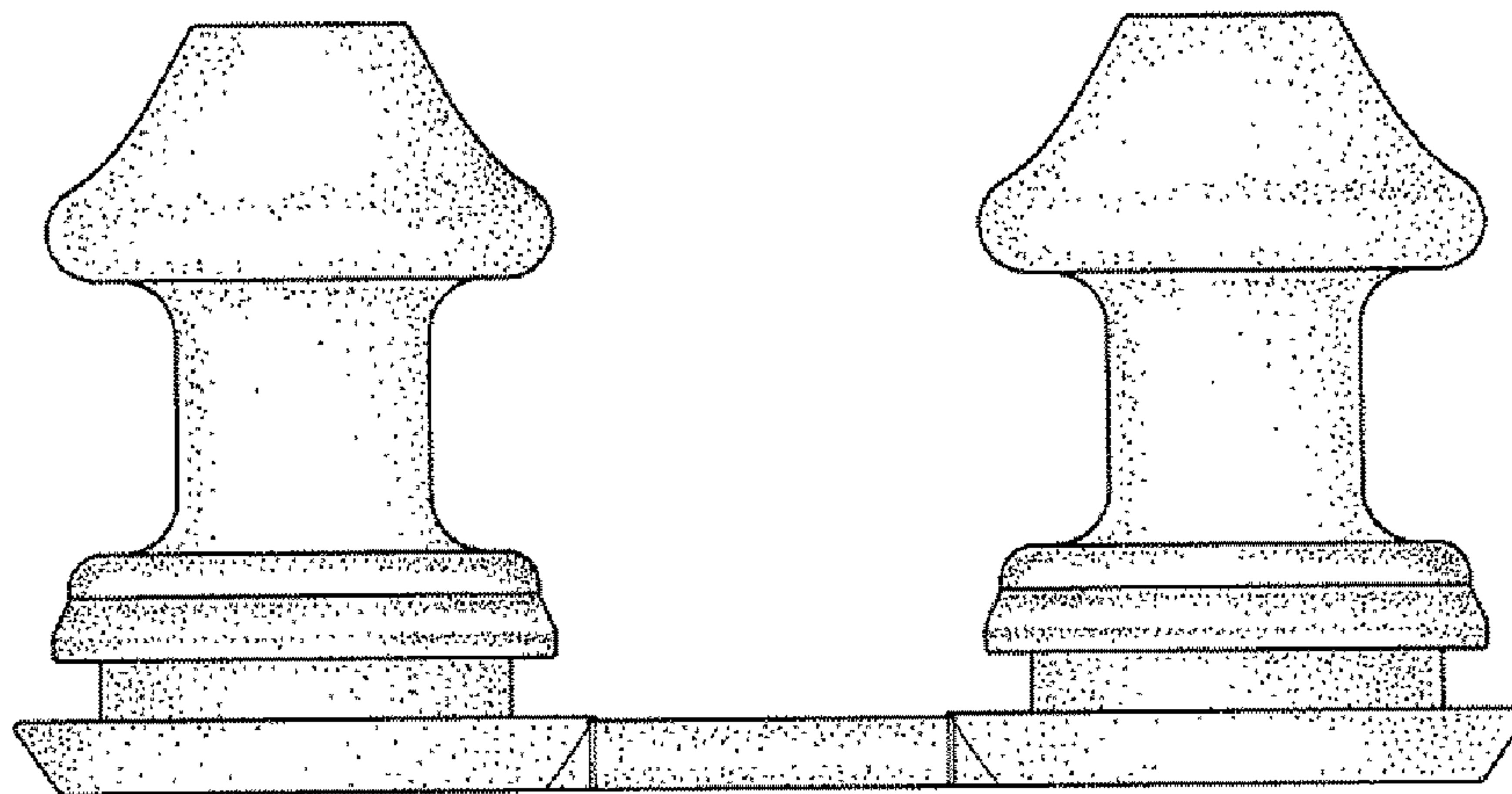


Fig. 20



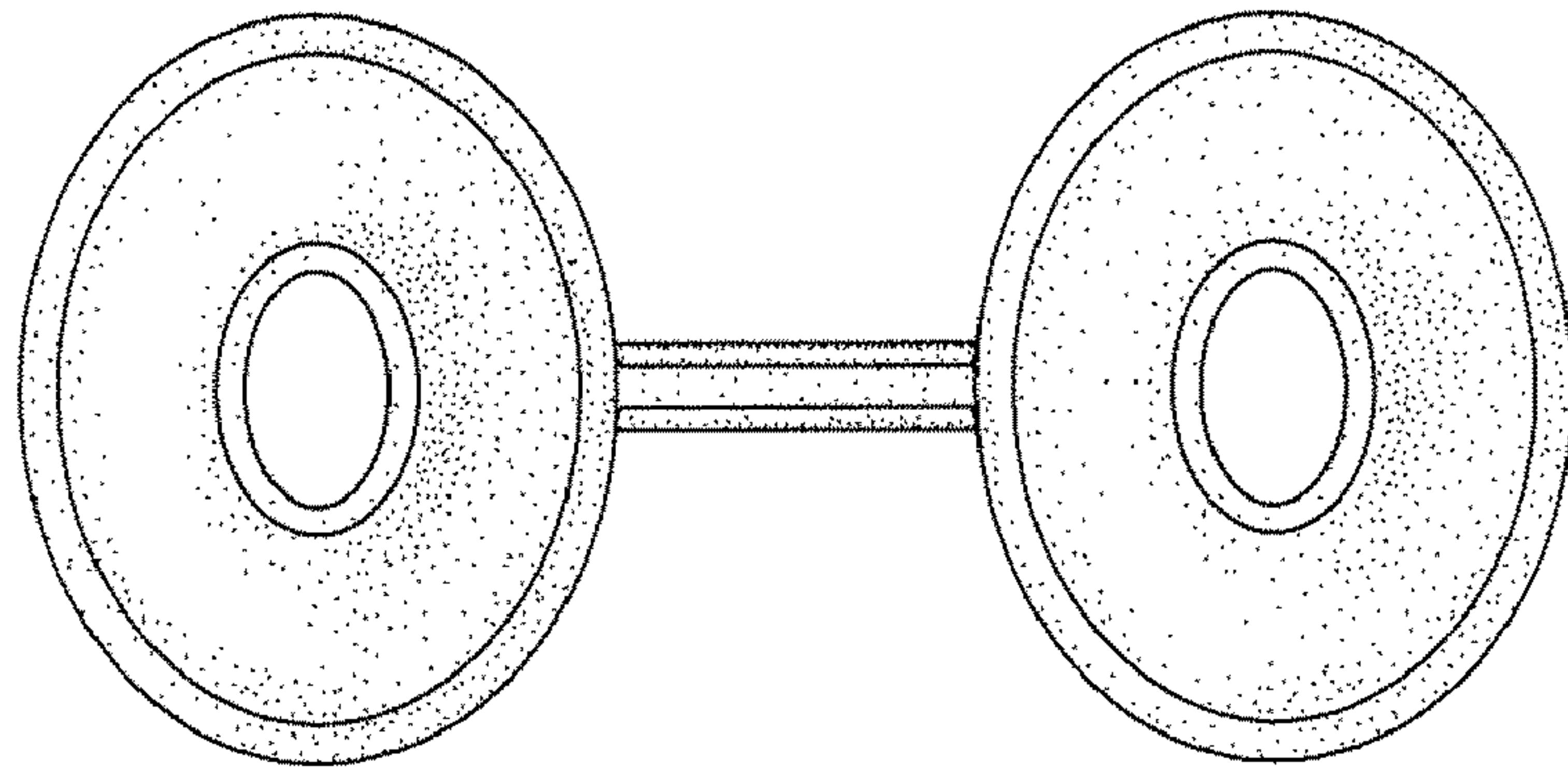


Fig. 21

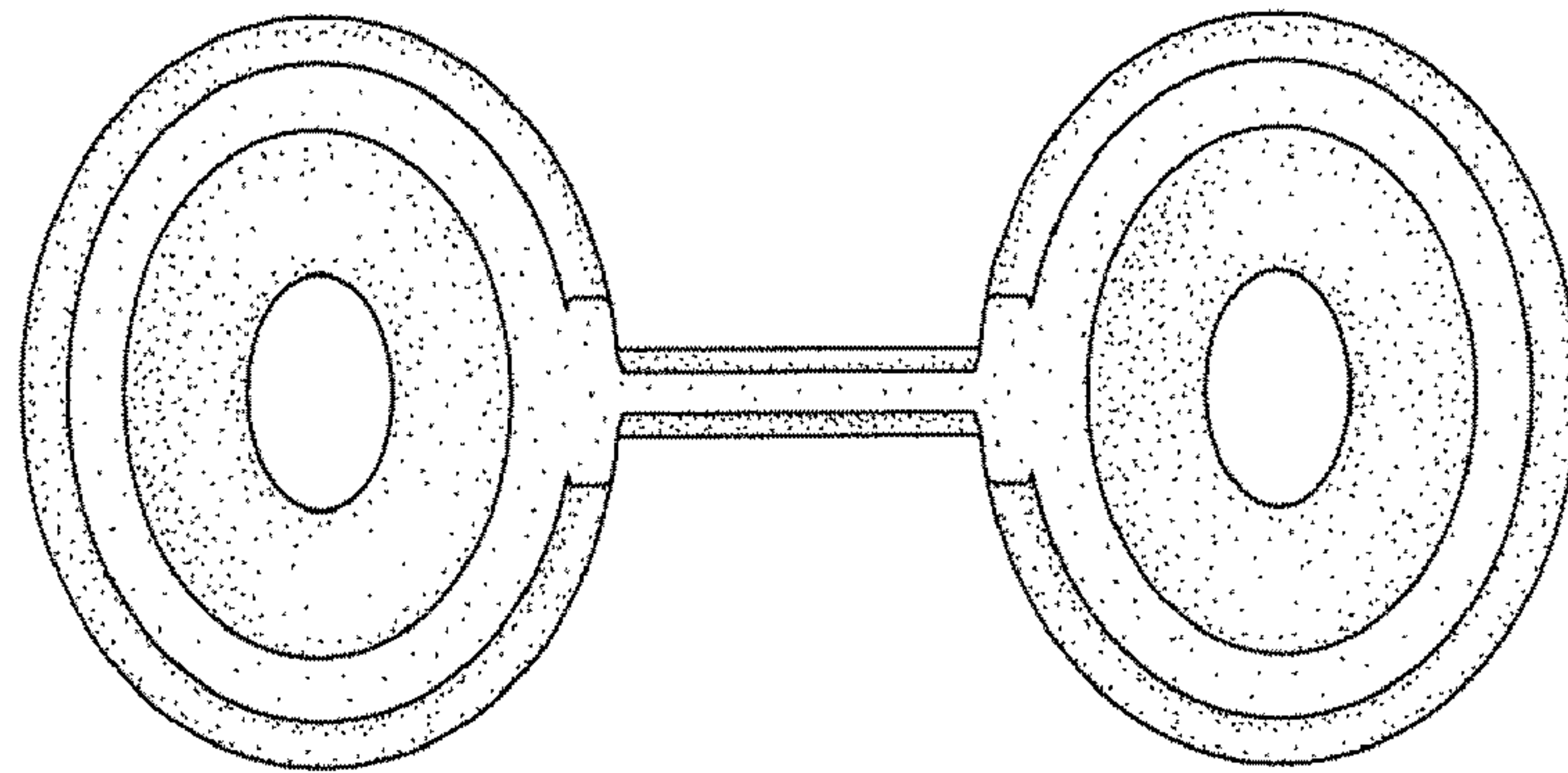


Fig. 22

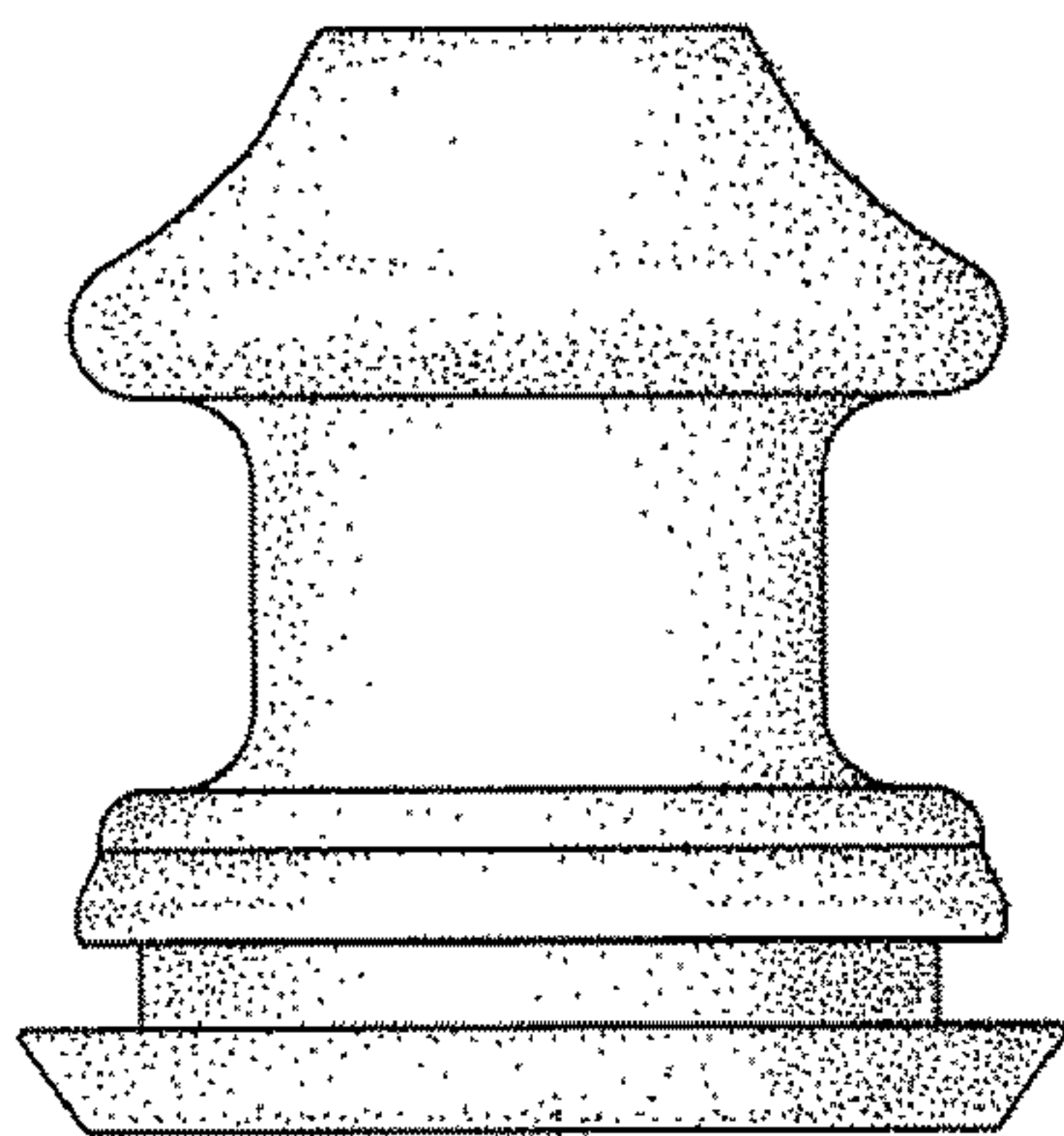


Fig. 23

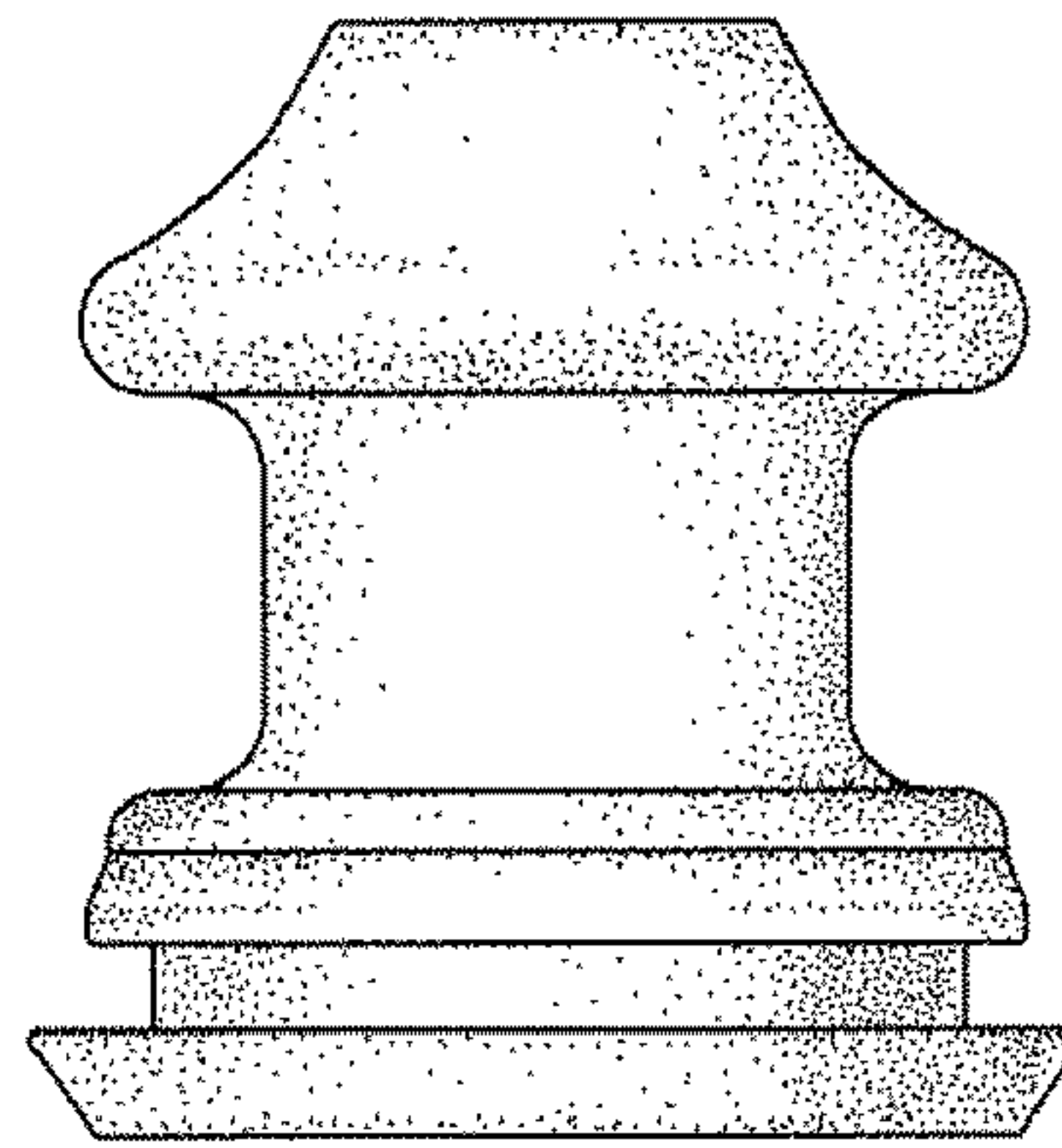


Fig. 24