



US00D645554S

(12) **United States Design Patent**
Peterson et al.

(10) **Patent No.:** **US D645,554 S**

(45) **Date of Patent:** **** Sep. 20, 2011**

(54) **FAN PART**

(75) Inventors: **Christopher Donald Peterson**,
Arlington Heights, IL (US); **Henry
Haiying Wu**, Chicago, IL (US); **Scott W.
Jackson**, Naperville, IL (US); **Manuel
Almanza**, LaGrange Park, IL (US);
Chungkin Yee, Naperville, IL (US)

(73) Assignee: **Camair LLC**, Chicago, IL (US)

(**) Term: **14 Years**

(21) Appl. No.: **29/364,382**

(22) Filed: **Jun. 23, 2010**

Related U.S. Application Data

(62) Division of application No. 29/340,864, filed on Jul.
27, 2009, now Pat. No. Des. 620,583.

(51) **LOC (9) Cl.** **23-04**

(52) **U.S. Cl.** **D23/411**

(58) **Field of Classification Search** D23/411,
D23/370, 381, 382, 332, 412, 335; 416/244 R,
416/247 R

See application file for complete search history.

(56) **References Cited**

U.S. PATENT DOCUMENTS

D407,478 S 3/1999 Wilson, Jr.
D408,907 S 4/1999 Moreno
D409,298 S 5/1999 Litvin
D409,300 S 5/1999 Moreno

D413,685 S 9/1999 Lasko et al.
D416,996 S 11/1999 Mack
6,015,265 A 1/2000 Lasko et al.
D422,354 S 4/2000 Shapiro
6,120,248 A 9/2000 Litvin et al.
6,126,415 A 10/2000 Lasko
D441,443 S 5/2001 Moreno
RE39,570 E 4/2007 Perella et al.
D620,582 S * 7/2010 Peterson et al. D23/382
D620,583 S 7/2010 Peterson et al.
2003/0235501 A1 12/2003 Herndon et al.
2008/0089798 A1 4/2008 Litvin

OTHER PUBLICATIONS

U.S. Trademark Registration No. 1697509, Jun. 30, 1992, 1 page.

U.S. Trademark Registration No. 2383447, Sep. 5, 2000, 1 page.

* cited by examiner

Primary Examiner — Lisa Lichtenstein

(74) *Attorney, Agent, or Firm* — Fitch, Even, Tabin &
Flannery

(57) **CLAIM**

We claim the ornamental design for a fan part, as shown and
described.

DESCRIPTION

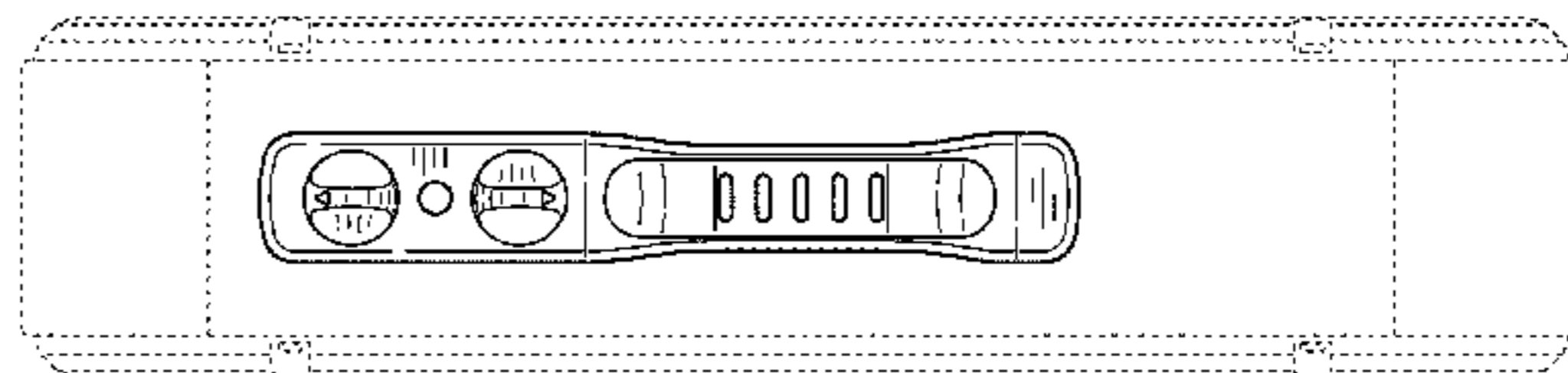
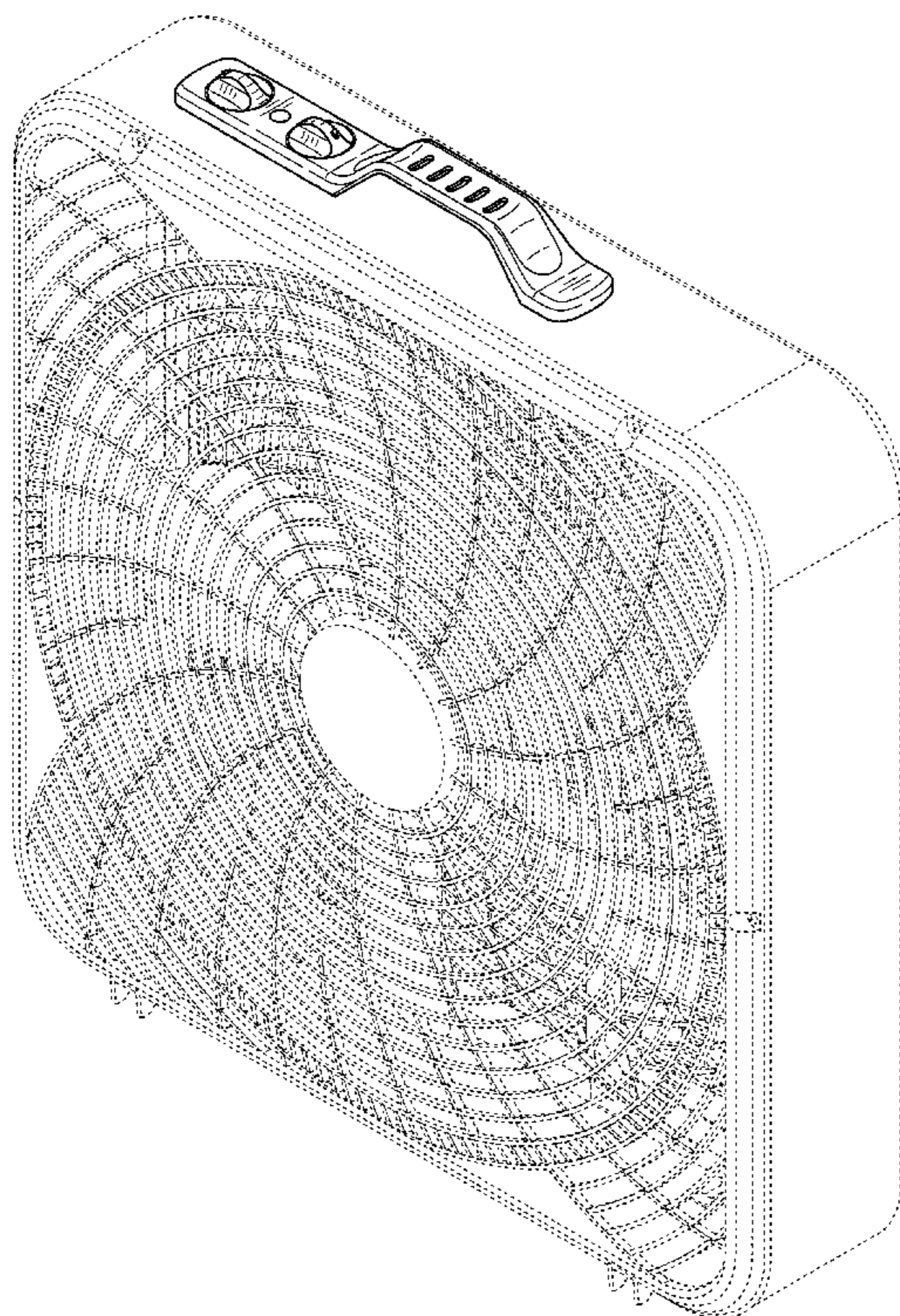
FIG. 1 is a perspective view of a fan part in accordance with
our new design;

FIG. 2 is a top view of the fan part of FIG. 1; and,

FIG. 3 is a front elevational view of the fan part of FIG. 1.

The broken lines showing a fan grille, housing and stand are
included for the purpose of illustrating environmental struc-
ture and form no part of the claimed design.

1 Claim, 2 Drawing Sheets



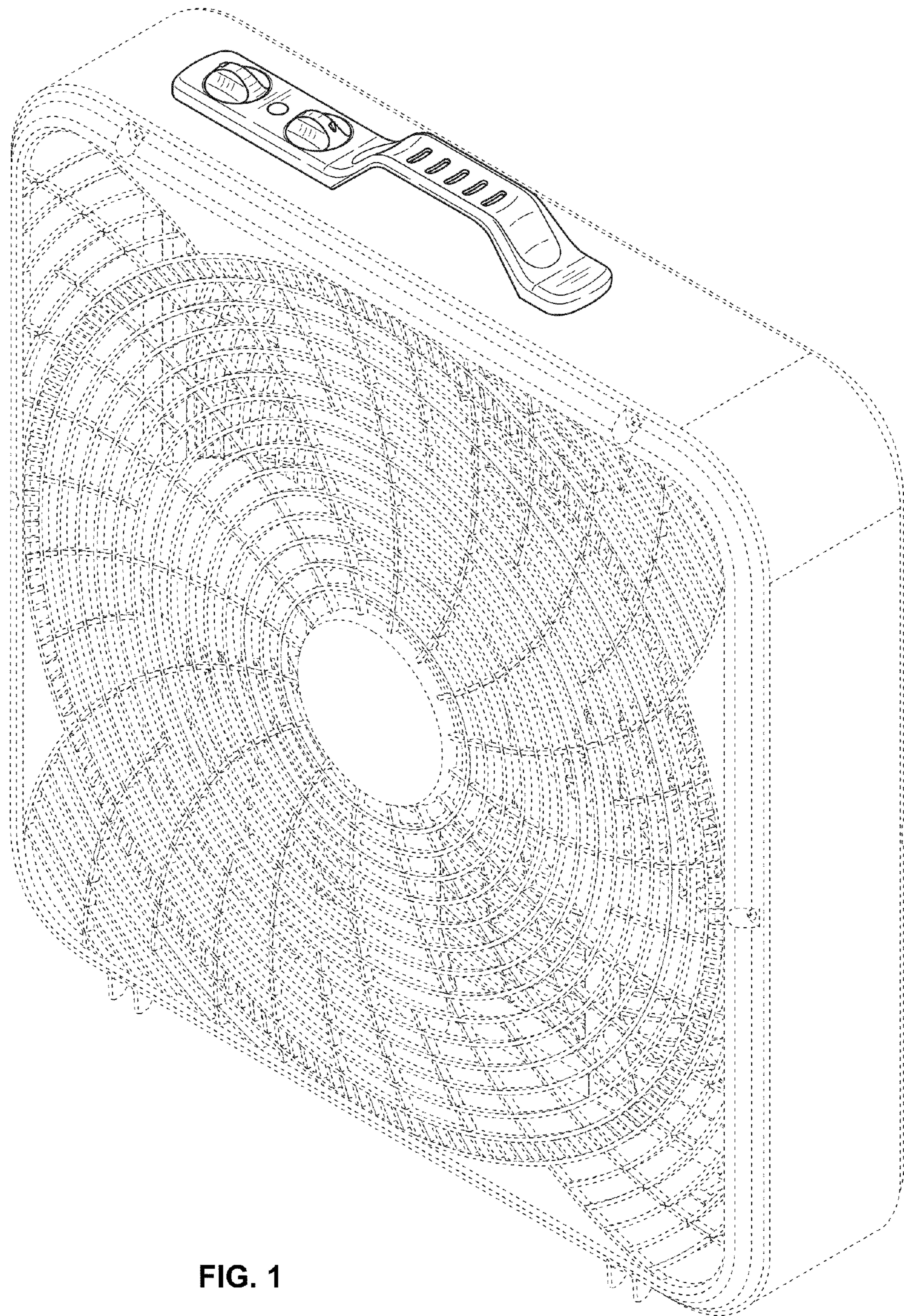


FIG. 1

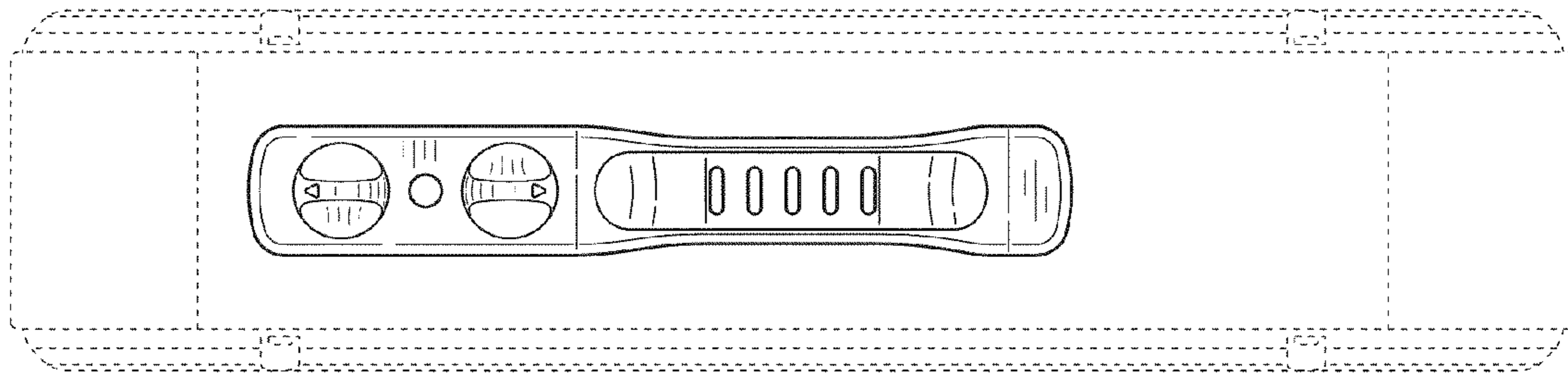


FIG. 2

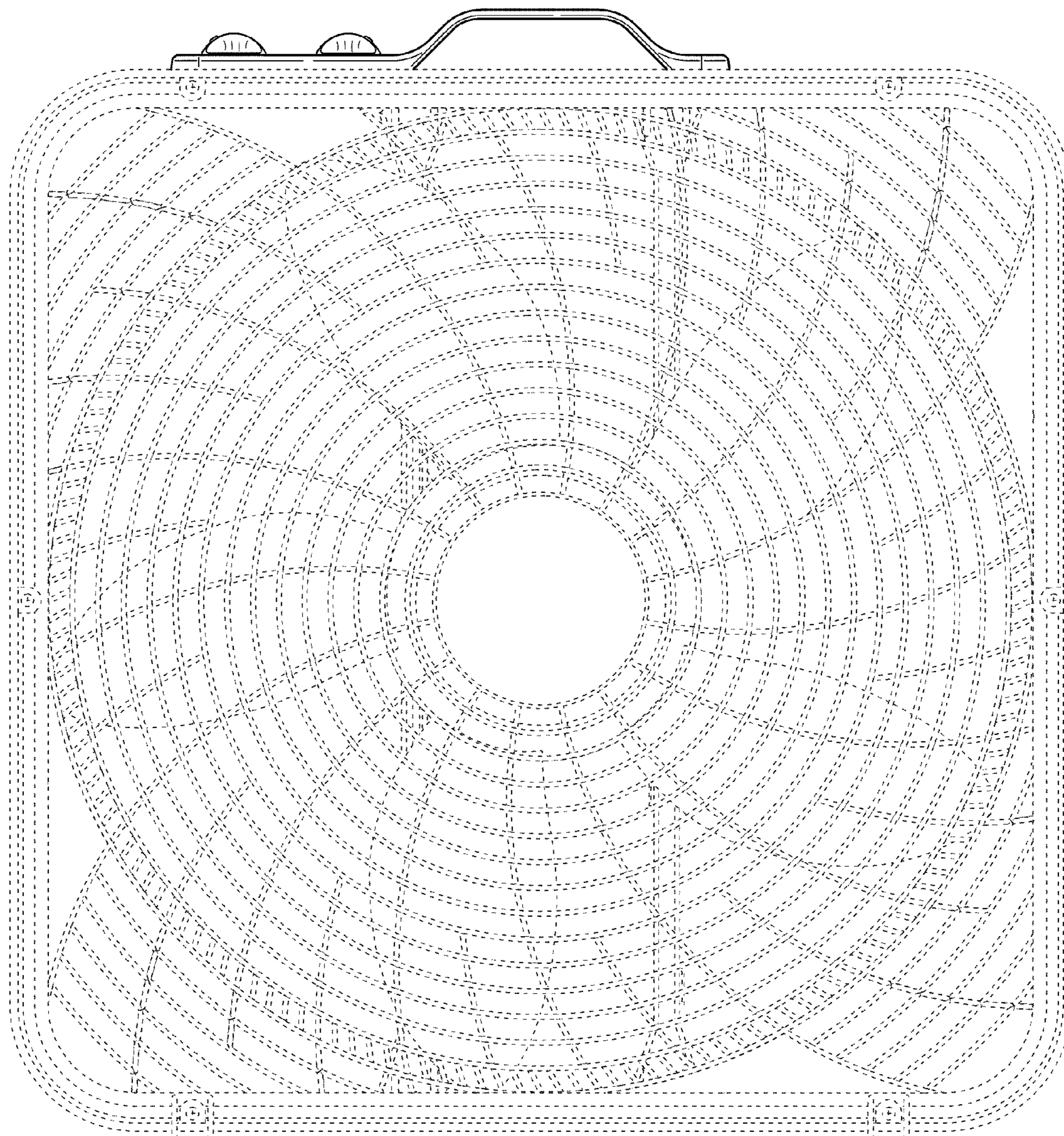


FIG. 3