



US00D645550S

(12) **United States Design Patent**  
**Ferroni**

(10) **Patent No.:** **US D645,550 S**

(45) **Date of Patent:** **\*\* Sep. 20, 2011**

(54) **PORTABLE DUCTING KIT**

(75) Inventor: **Anthony Ferroni**, Keswick, VA (US)

(73) Assignee: **No-Fade Coatings, Inc.**, Garden Grove, CA (US)

(\*\*) Term: **14 Years**

(21) Appl. No.: **29/313,212**

(22) Filed: **Dec. 17, 2008**

(51) **LOC (9) Cl.** ..... **23-04**

(52) **U.S. Cl.** ..... **D23/393**

(58) **Field of Classification Search** ..... D23/393,  
D23/266, 262, 355, 386, 314, 370, 328, 383,  
D23/384, 394, 399, 499; 138/118–122, 129,  
138/133–135, 138; 454/903, 171, 306  
See application file for complete search history.

(56) **References Cited**

U.S. PATENT DOCUMENTS

3,096,933	A *	7/1963	Bora	.....	454/903
4,274,455	A *	6/1981	Simons	.....	138/121
D291,243	S *	8/1987	Beavers	.....	D23/383
4,854,349	A *	8/1989	Foreman	.....	138/119
5,160,811	A *	11/1992	Ritzmann	.....	138/121
5,494,319	A *	2/1996	Thomas	.....	138/122
6,062,268	A *	5/2000	Elsasser et al.	.....	138/121
6,223,777	B1 *	5/2001	Smith et al.	.....	138/119
6,402,613	B1 *	6/2002	Teagle	.....	454/903
6,669,552	B1 *	12/2003	Beer	.....	454/171

6,774,312	B2 *	8/2004	Fatato	.....	138/122
D566,826	S *	4/2008	Liebson et al.	.....	D23/393
7,677,271	B2 *	3/2010	Boettner et al.	.....	138/119

\* cited by examiner

*Primary Examiner* — David Muller

(74) *Attorney, Agent, or Firm* — Cisló & Thomas, LLP

(57) **CLAIM**

The ornamental design for a portable ducting kit, as shown and described herein.

**DESCRIPTION**

FIG. 1 is a perspective view of the portable ducting kit showing a flexible tubing within a casing.

FIG. 2 is a front view of the portable ducting kit shown in FIG. 1.

FIG. 3 is a right side view of the rear portion of the portable ducting kit of FIG. 1, with the rear portion shown separated from the casing.

FIG. 4 is a top perspective view of the front portion of the portable ducting kit of FIG. 1, with the front portion shown separated from the casing and the flexible tubing extended to more clearly show the form of this portion.

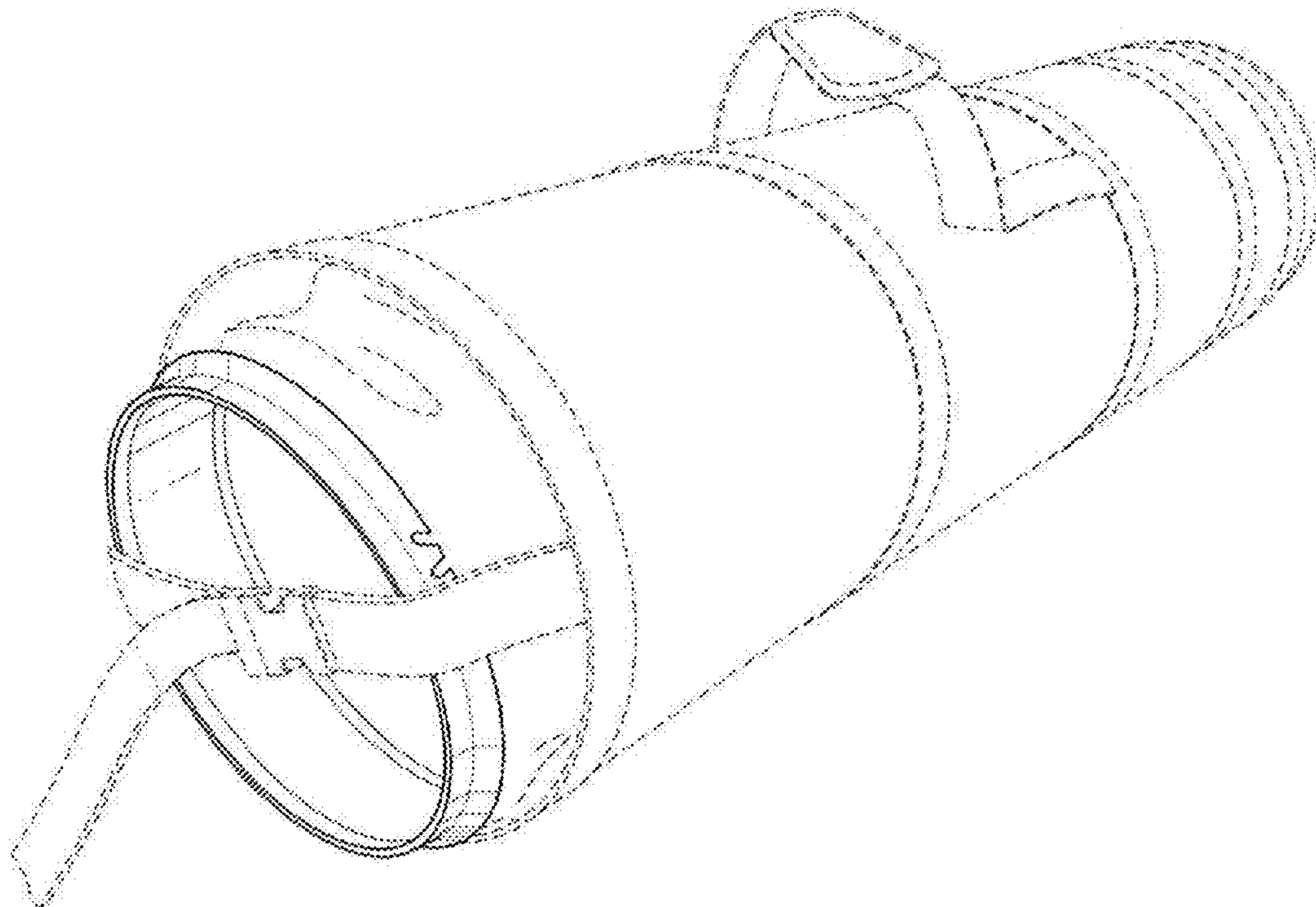
FIG. 5 is a detailed view of the rear end of the portable ducting kit shown separated from the casing and flexible tubing.

FIG. 6 is a detailed view of the front end of the portable ducting kit shown separated from the casing and flexible tubing; and,

FIG. 7 is a side view of the portable ducting kit of FIG. 1.

The features shown in broken lines in the drawing figures depict environmental subject matter only and form no part of the claimed design.

**1 Claim, 6 Drawing Sheets**



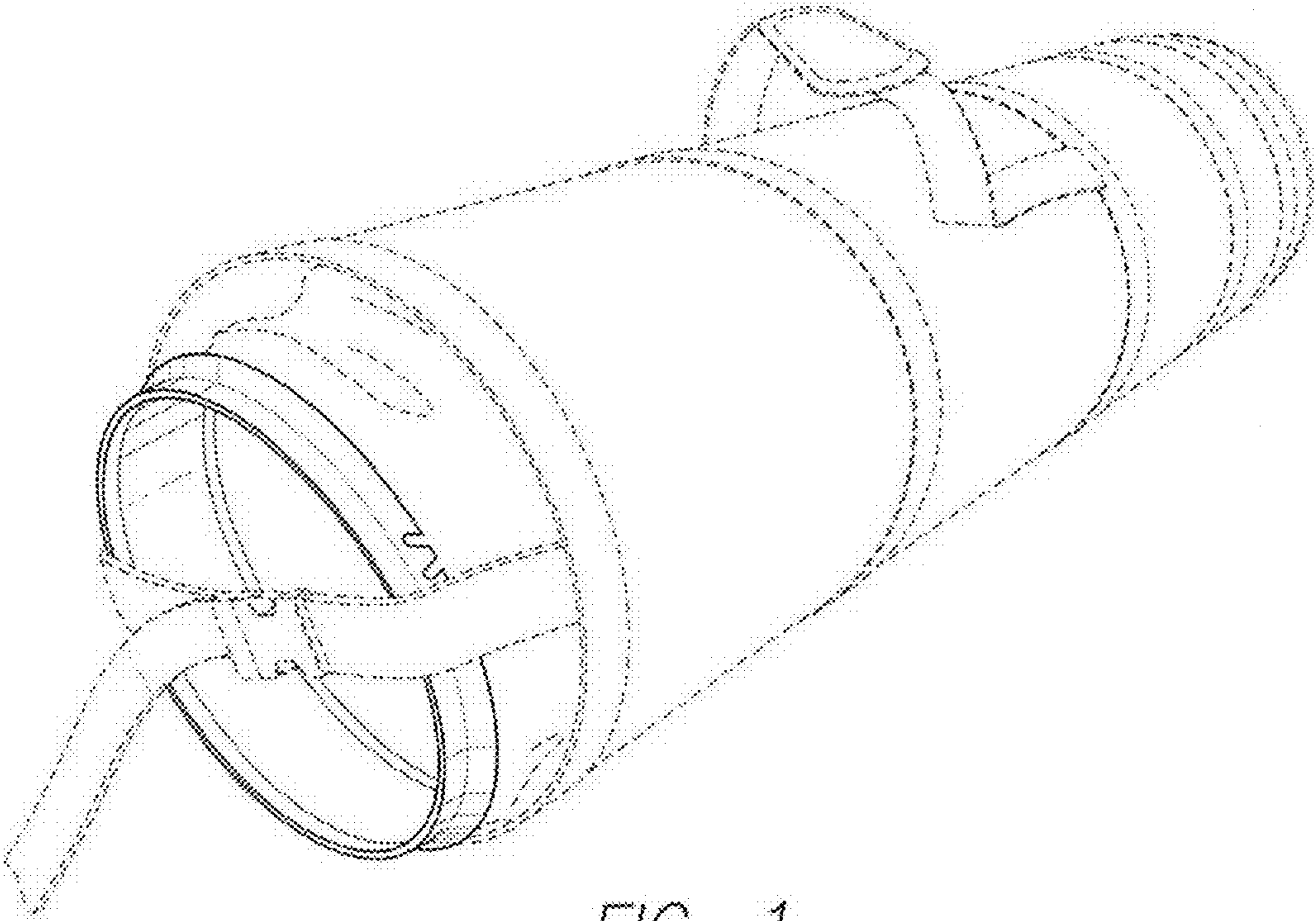


FIG. 1

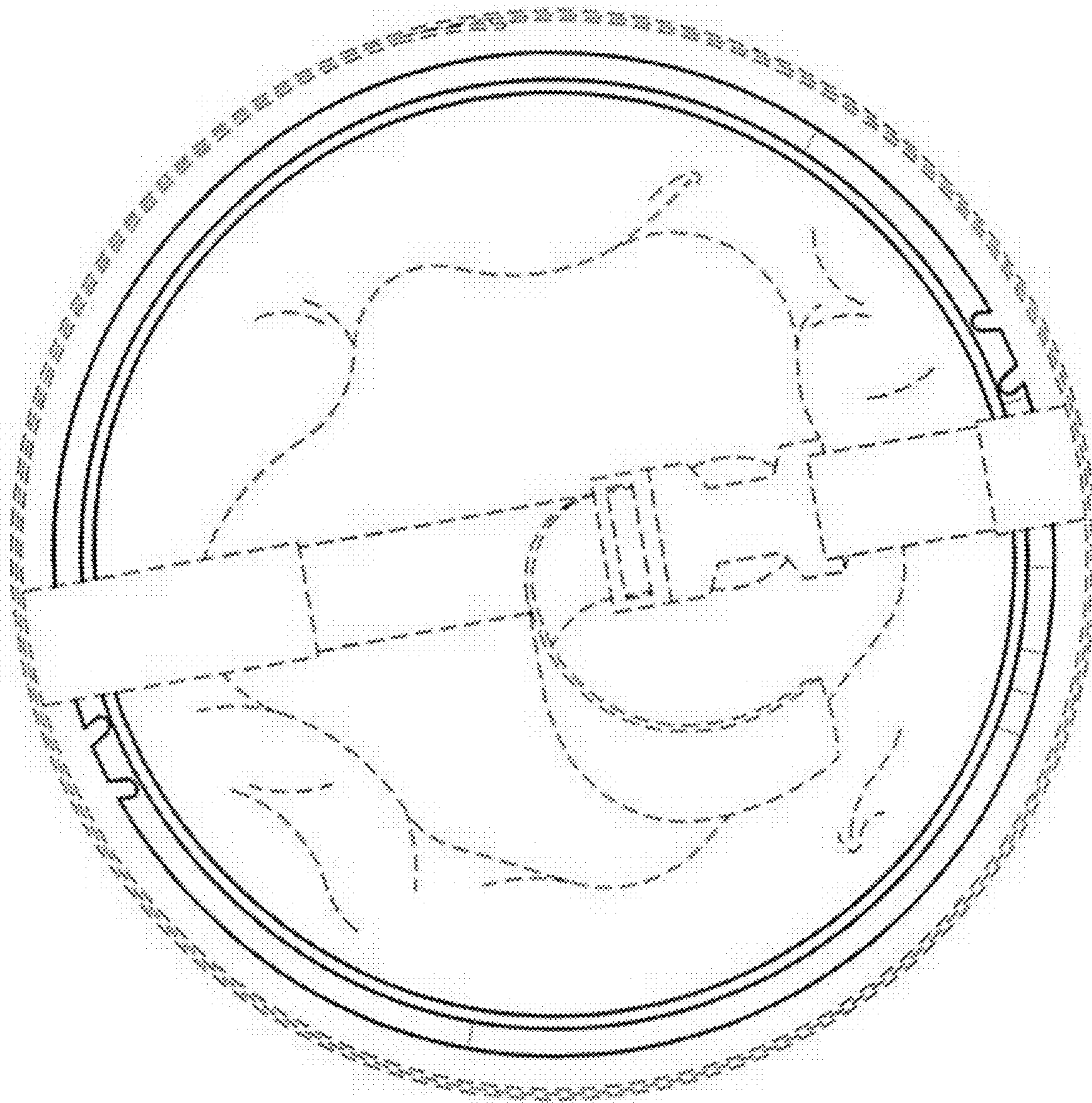


FIG. 2

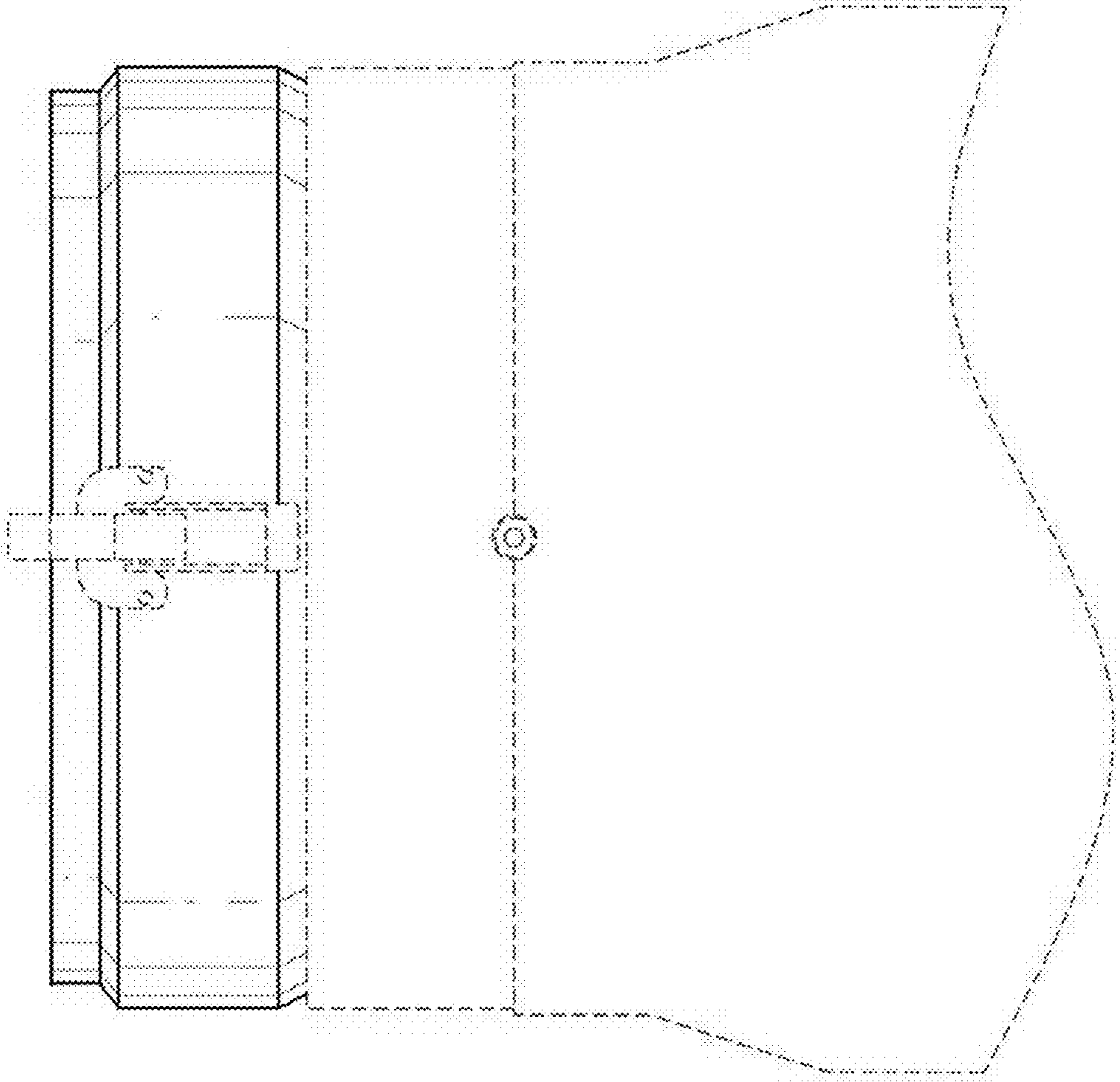


FIG. 3

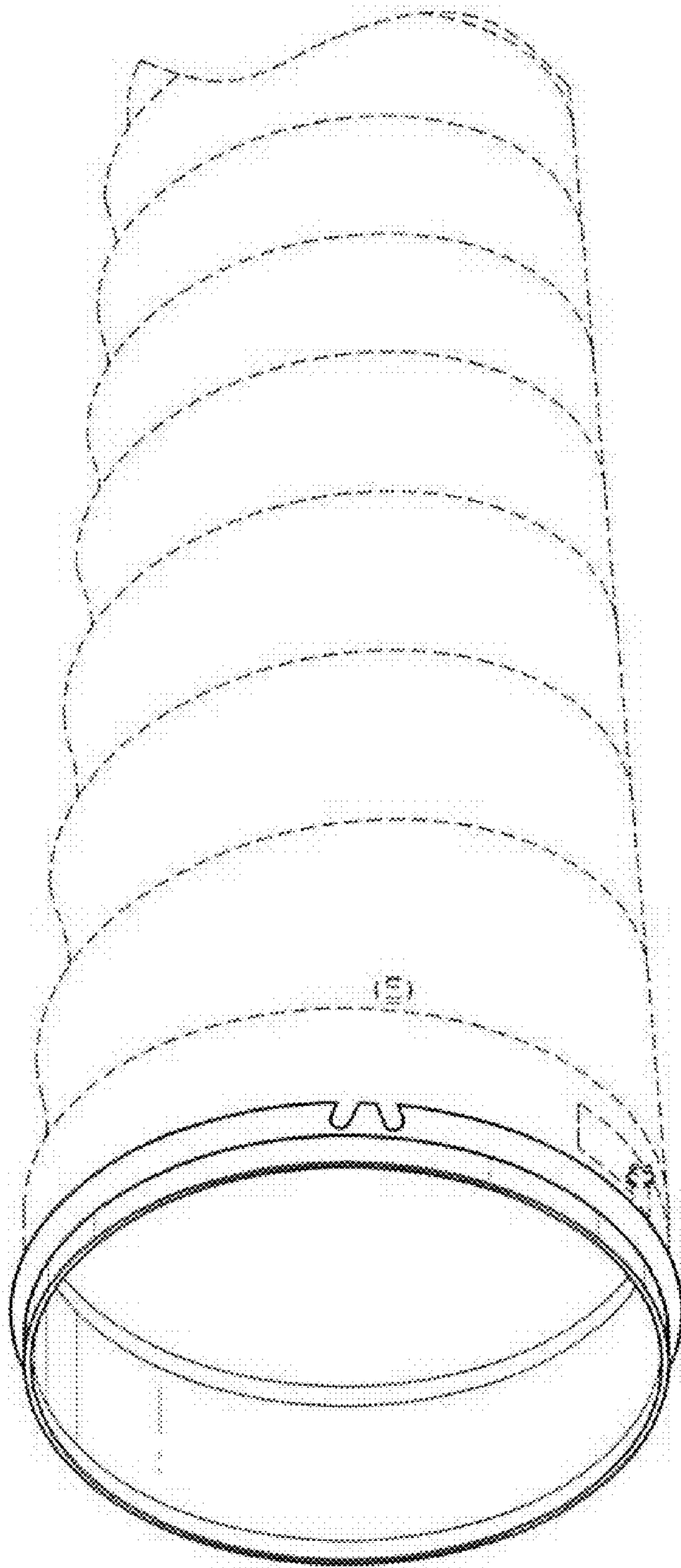


FIG. 4

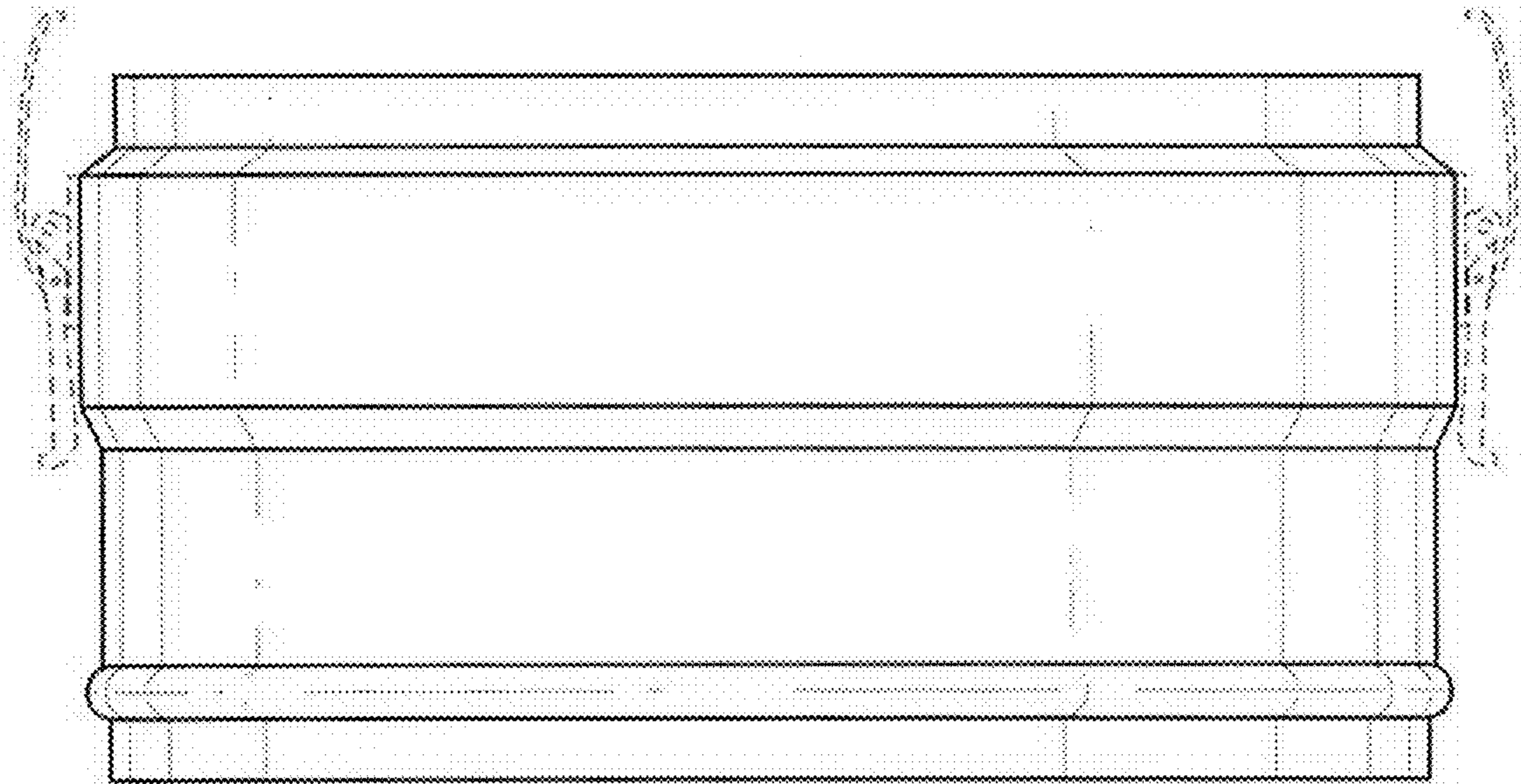


FIG. 5

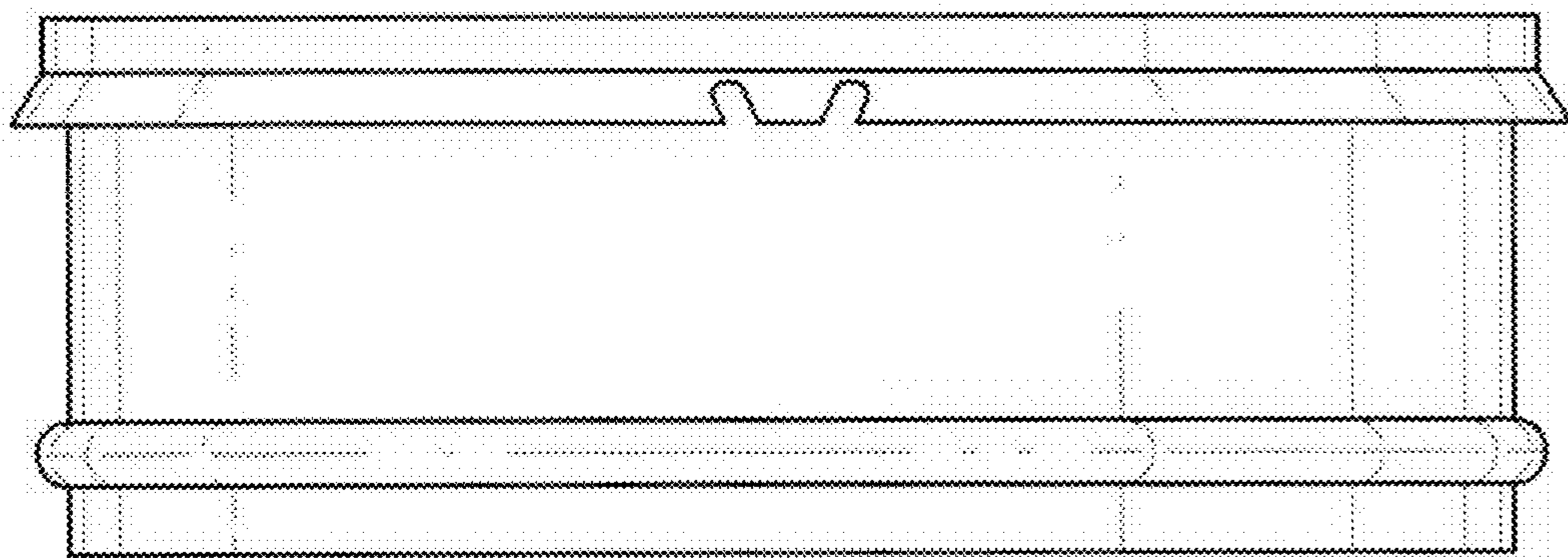


FIG. 6

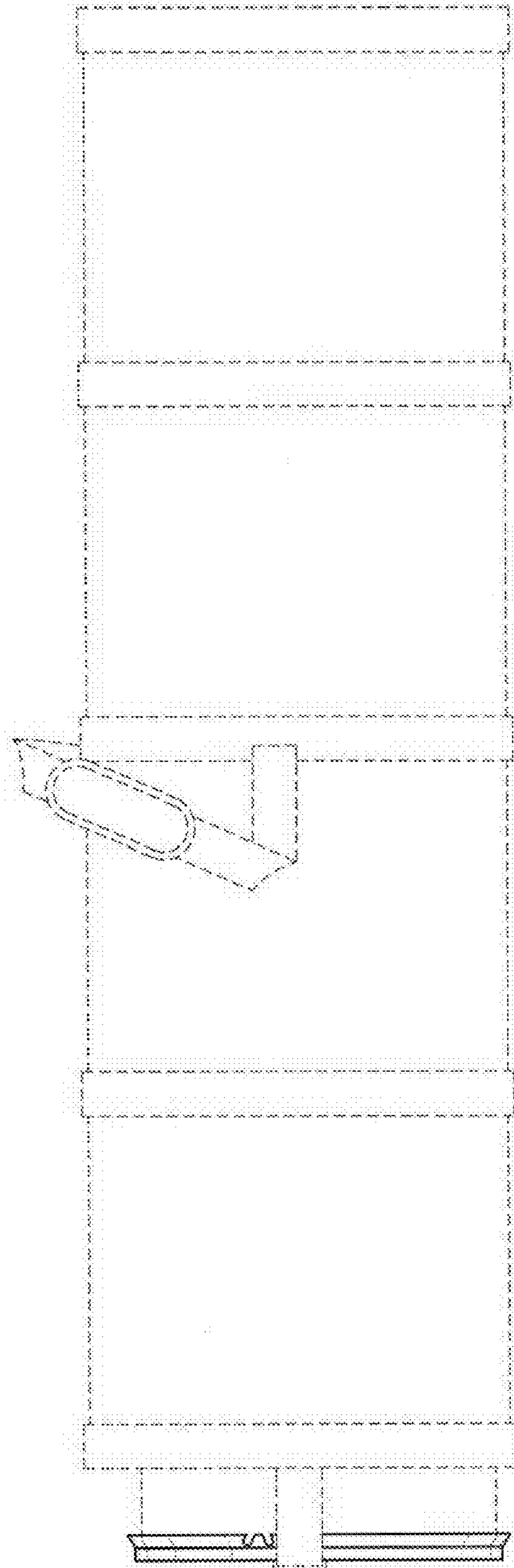


FIG. 7