



US00D645549S

(12) **United States Design Patent**  
**Booth**

(10) **Patent No.:** **US D645,549 S**

(45) **Date of Patent:** **\*\* Sep. 20, 2011**

(54) **SINK**

(75) Inventor: **Shawn J. Booth**, Sheboygan, WI (US)

(73) Assignee: **Kohler, Co.**, Kohler, WI (US)

(\*\*) Term: **14 Years**

(21) Appl. No.: **29/375,842**

(22) Filed: **Sep. 28, 2010**

(51) **LOC (9) Cl.** ..... **23-02**

(52) **U.S. Cl.** ..... **D23/290**

(58) **Field of Classification Search** ..... D23/272-274,  
D23/284, 286-287, 290, 293.1, 303, 308;  
4/619, 639, 642

See application file for complete search history.

(56) **References Cited**

**U.S. PATENT DOCUMENTS**

D464,125 S	10/2002	Bayer et al.	
D464,126 S	10/2002	Bayer et al.	
D497,415 S *	10/2004	Arnold	D23/290
D634,826 S *	3/2011	Booth	D23/290

**OTHER PUBLICATIONS**

American Standard. "Kitchen Fixtures Sink Undermount Shallow Double Bowl Holes: 4 Bone".

\* cited by examiner

*Primary Examiner* — Robert Delehanty

(74) *Attorney, Agent, or Firm* — Foley & Lardner LLP

(57) **CLAIM**

The ornamental design for a sink, as shown and described.

**DESCRIPTION**

FIG. 1 is a top, left, front perspective view of a sink according to my new design;

FIG. 2 is a top plan view thereof;

FIG. 3 is a front elevational view thereof;

FIG. 4 is a left side elevational view thereof;

FIG. 5 is a right side elevational view thereof;

FIG. 6 is a rear elevational view thereof;

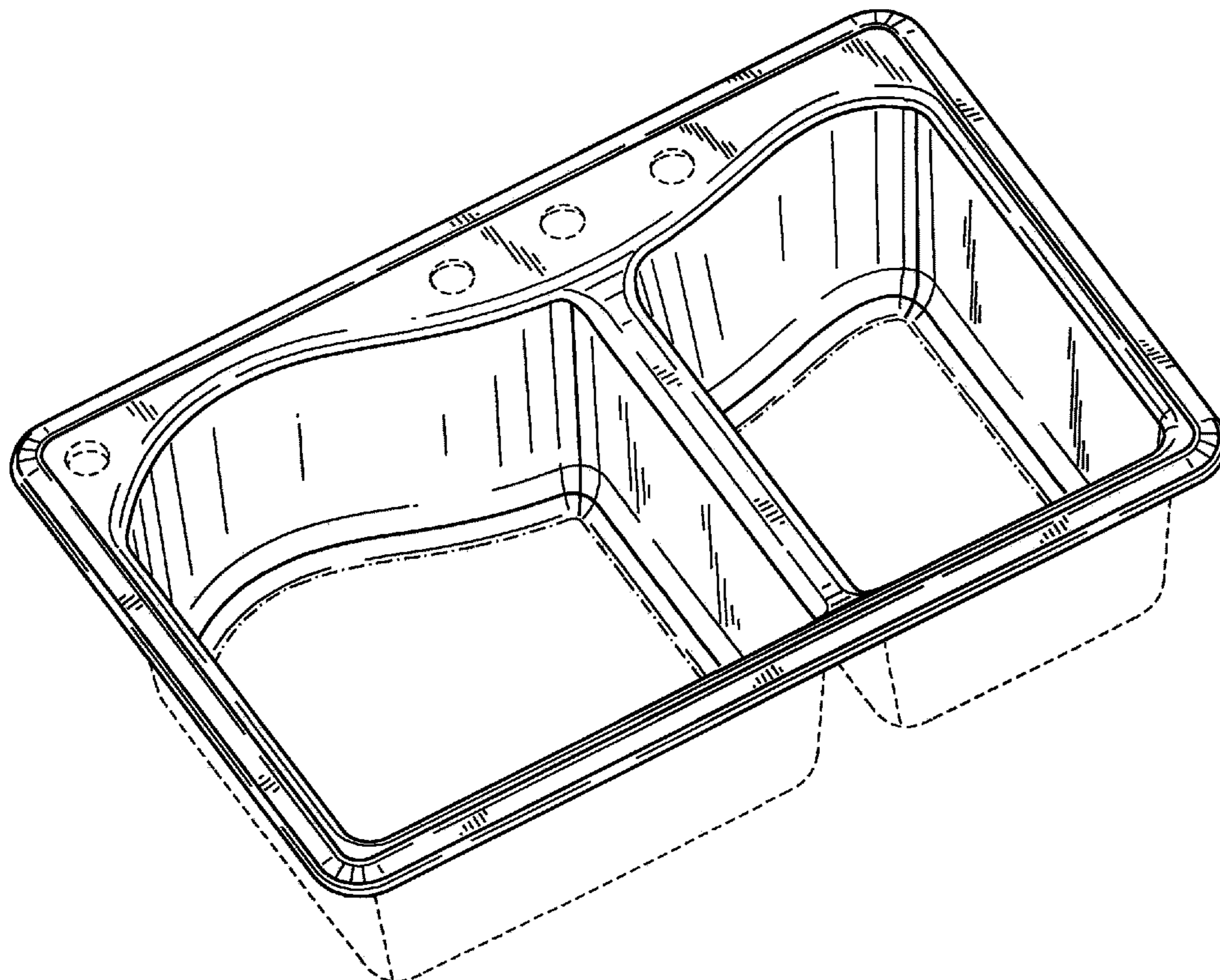
FIG. 7 is a bottom plan view thereof; and,

FIG. 8 is a top, right, front perspective view of a sink according to another embodiment of my new design, the top plan view, the front, left side, right side and rear elevational views, and the bottom plan view thereof being mirror images of the respective views shown in FIGS. 2-7 above.

The broken line representations in the figures are for the purpose of illustration only, and form no part of the claimed design.

In a preferred embodiment, the nature of this product is as a sink plumbing fixture primarily useful for washing various objects.

**1 Claim, 6 Drawing Sheets**



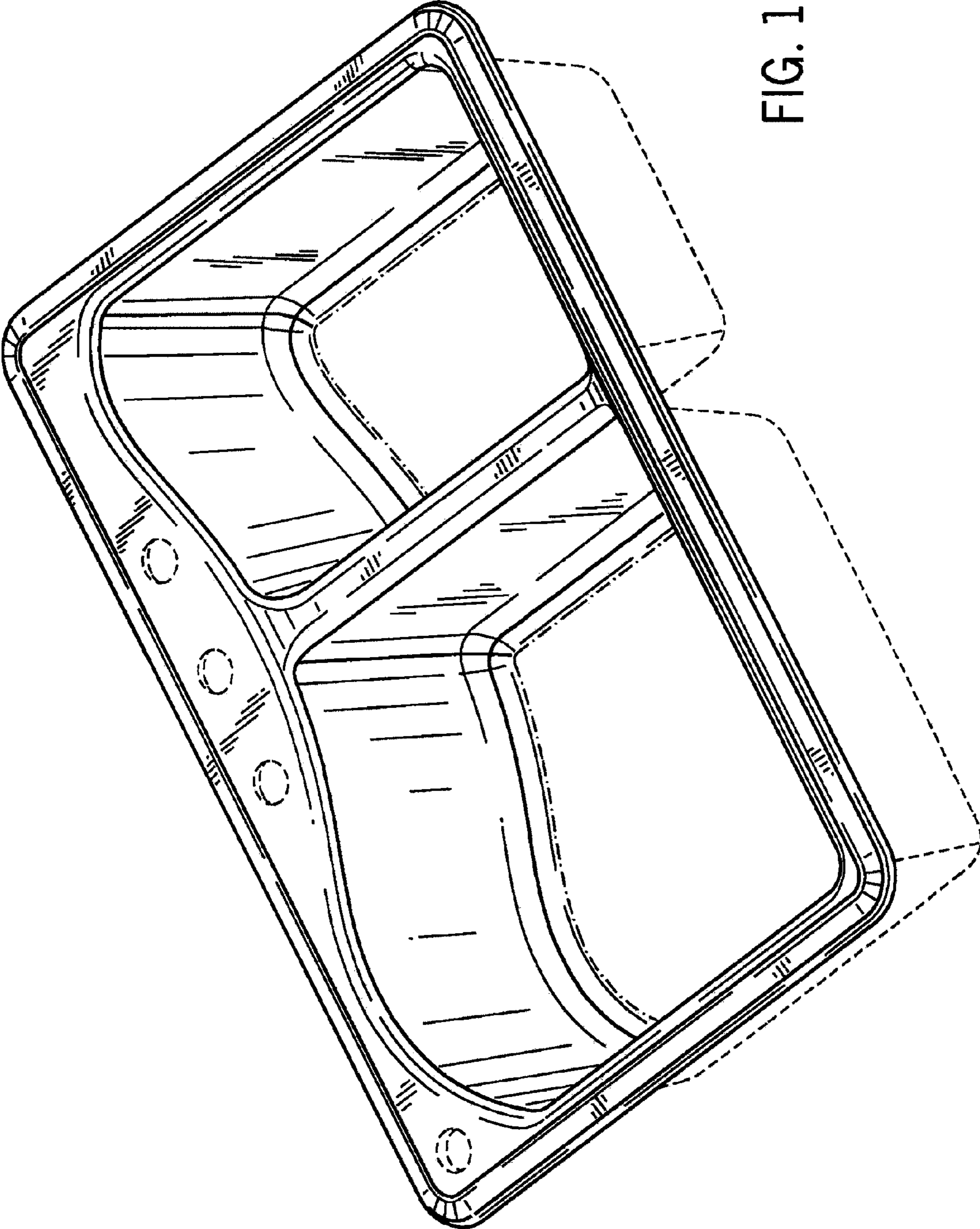


FIG. 1

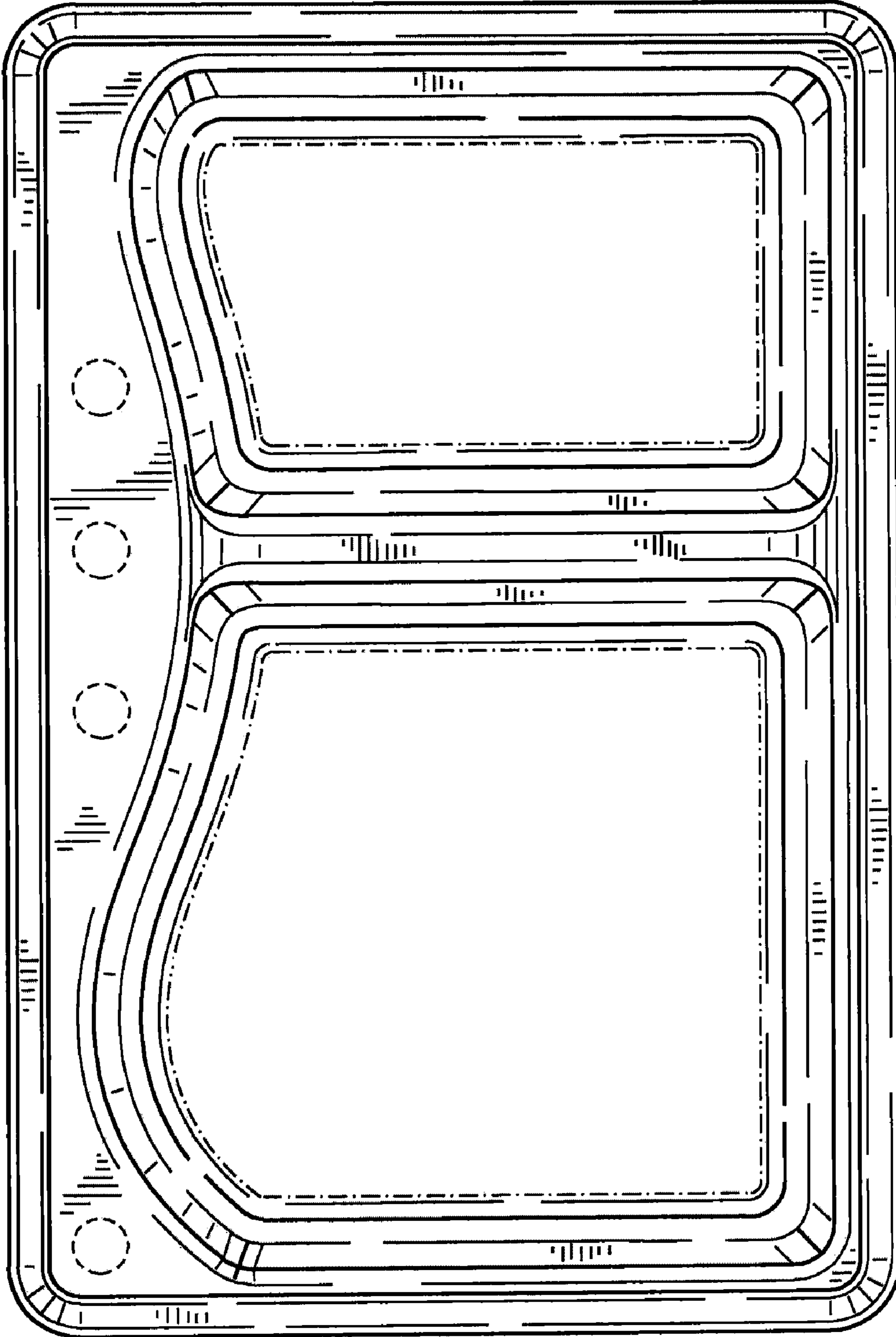


FIG. 2

FIG. 3

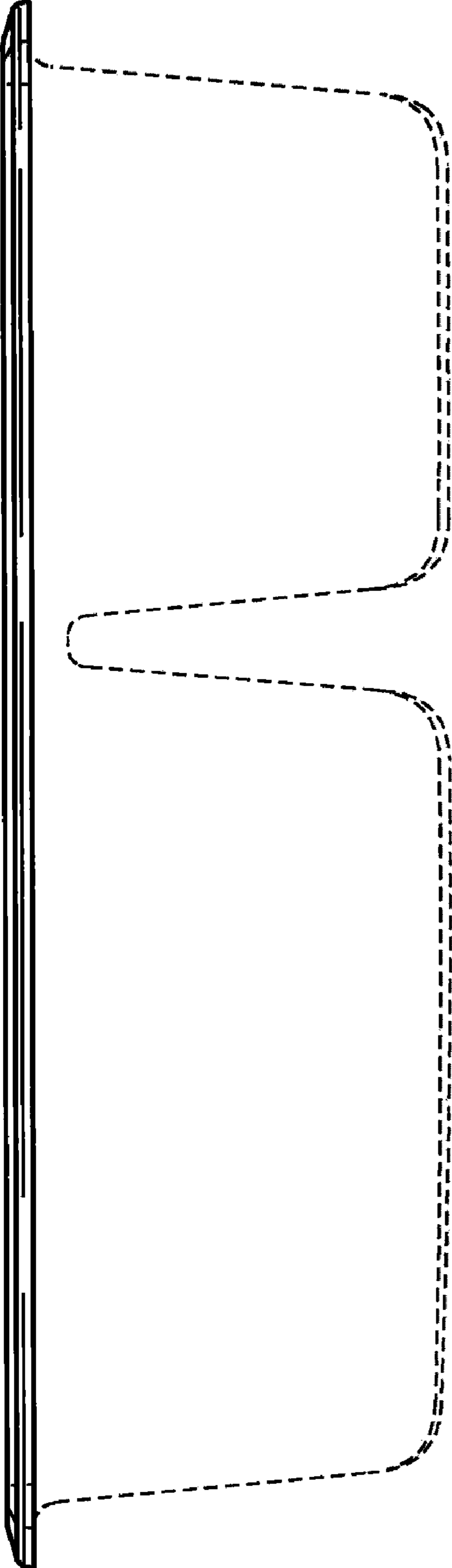
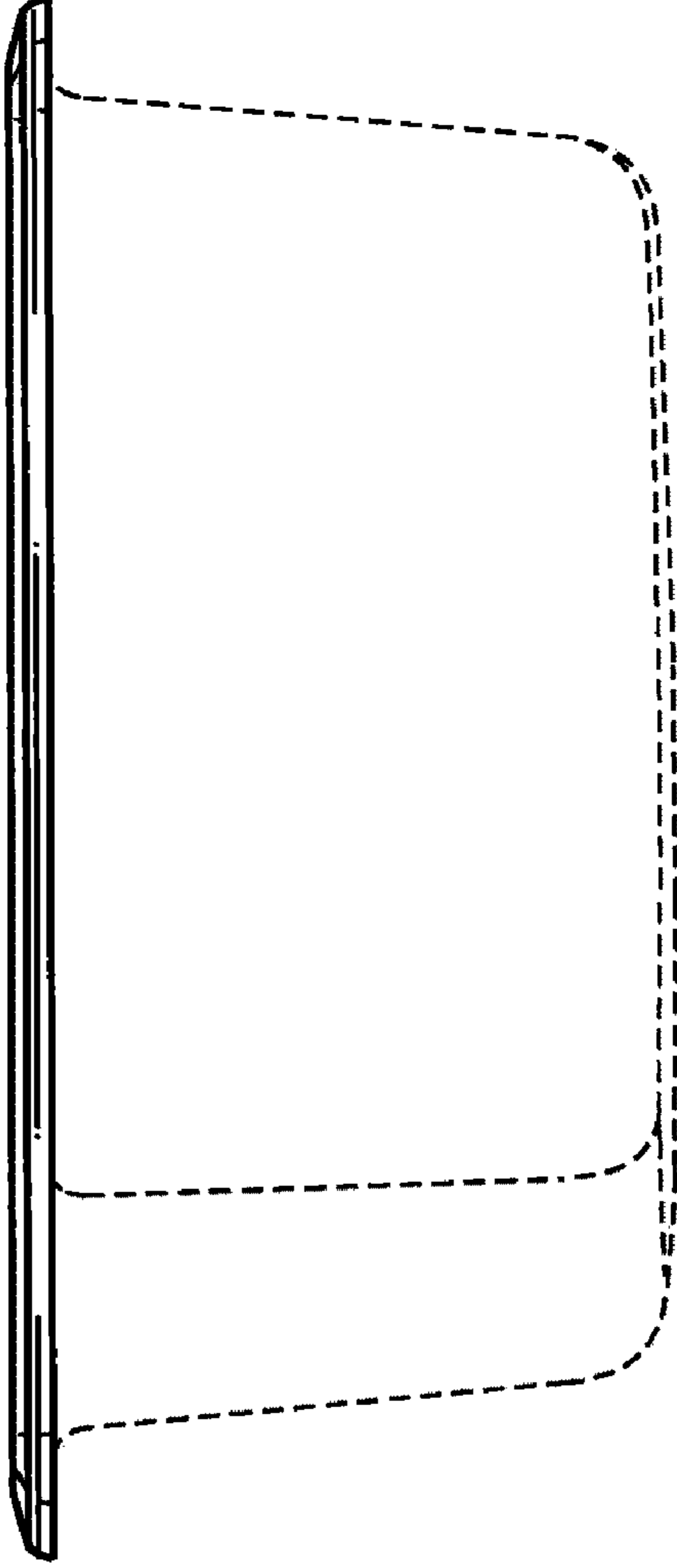


FIG. 4



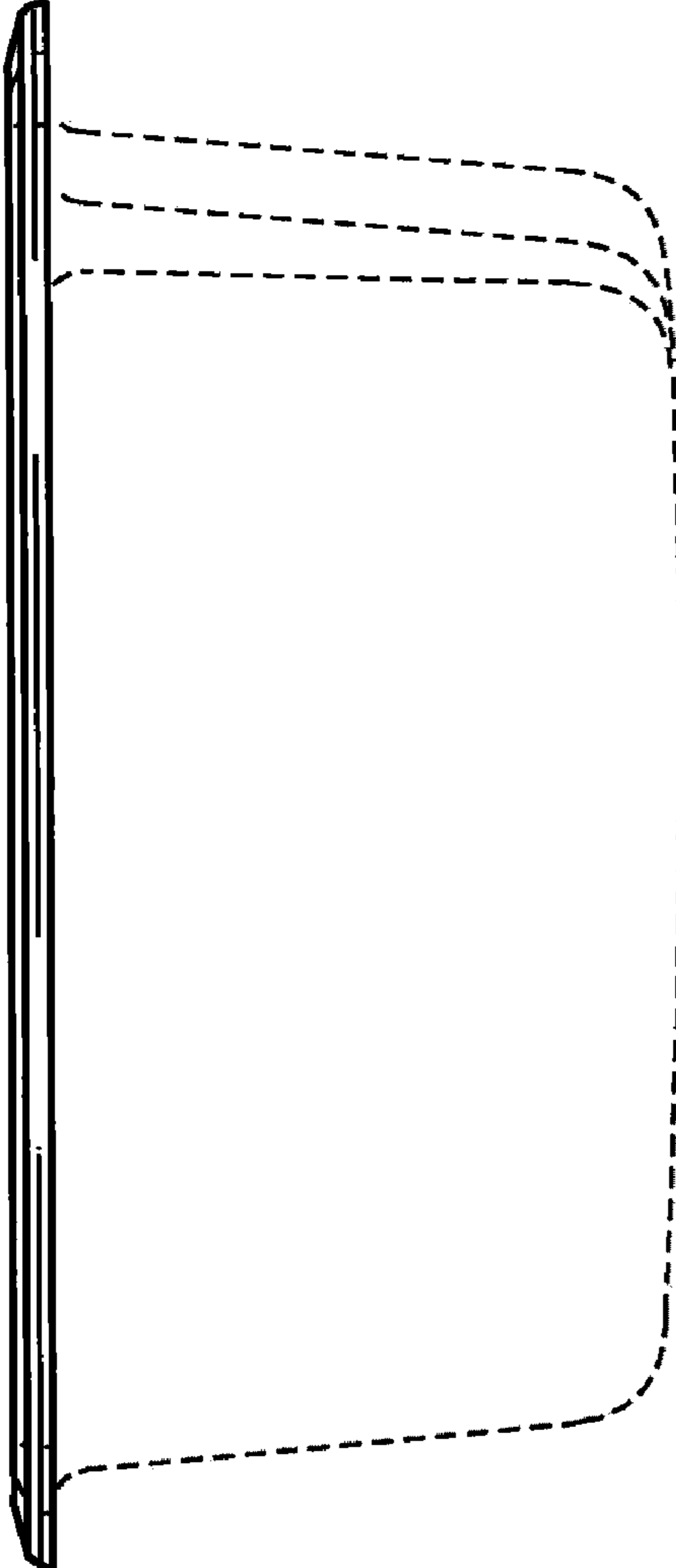


FIG. 5

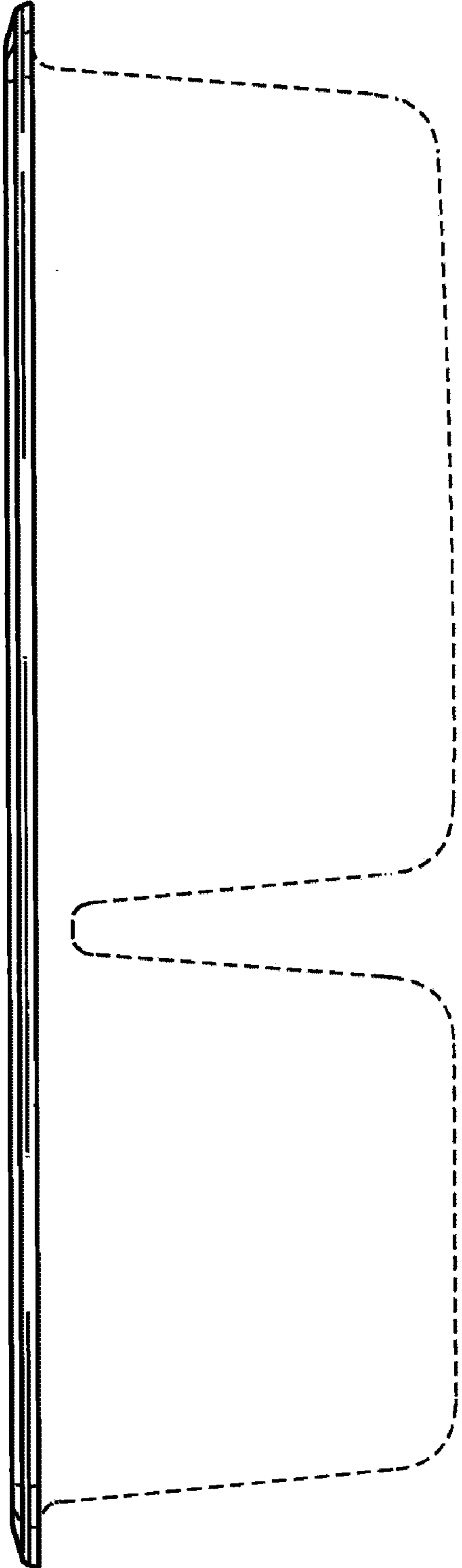
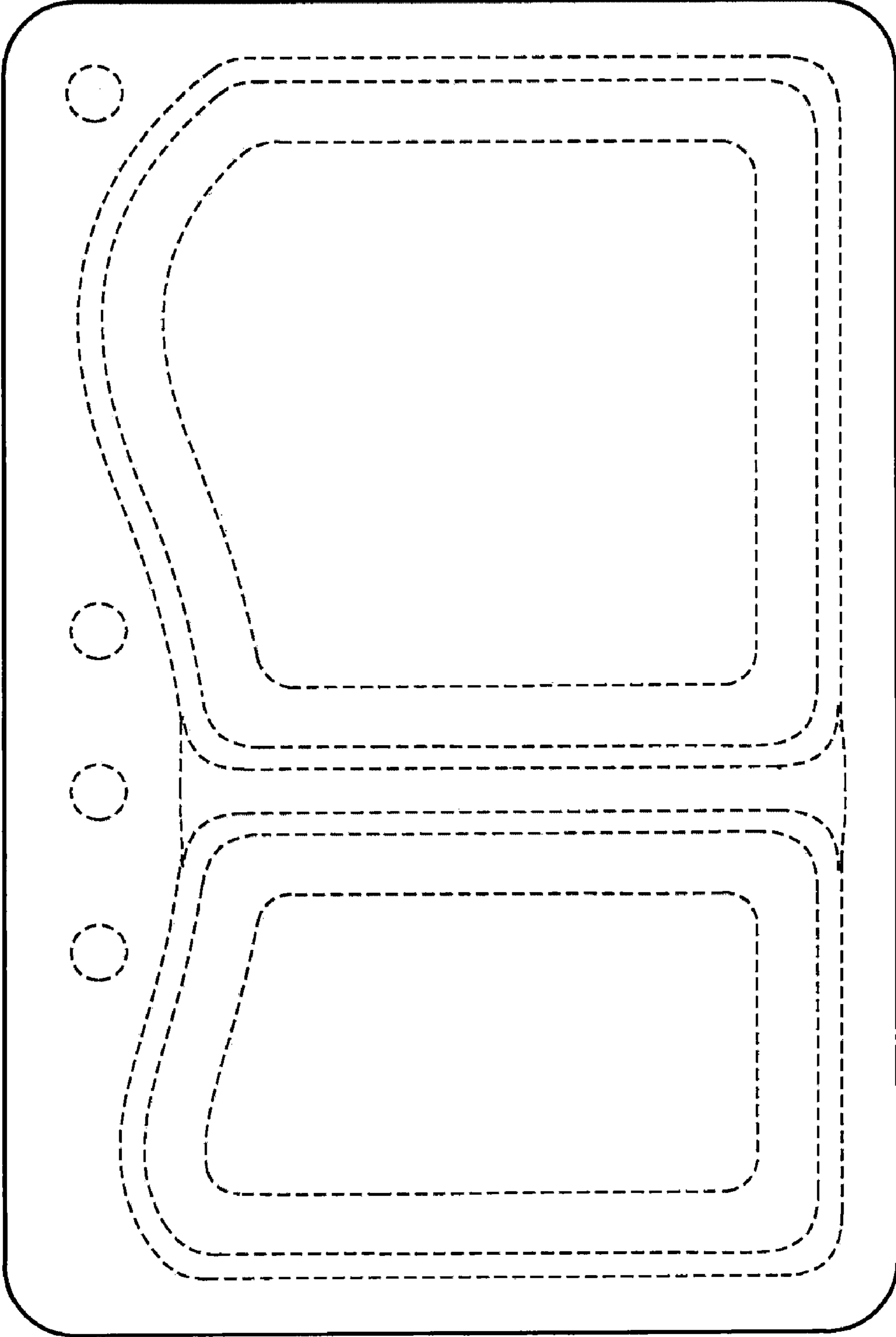


FIG. 6

FIG. 7



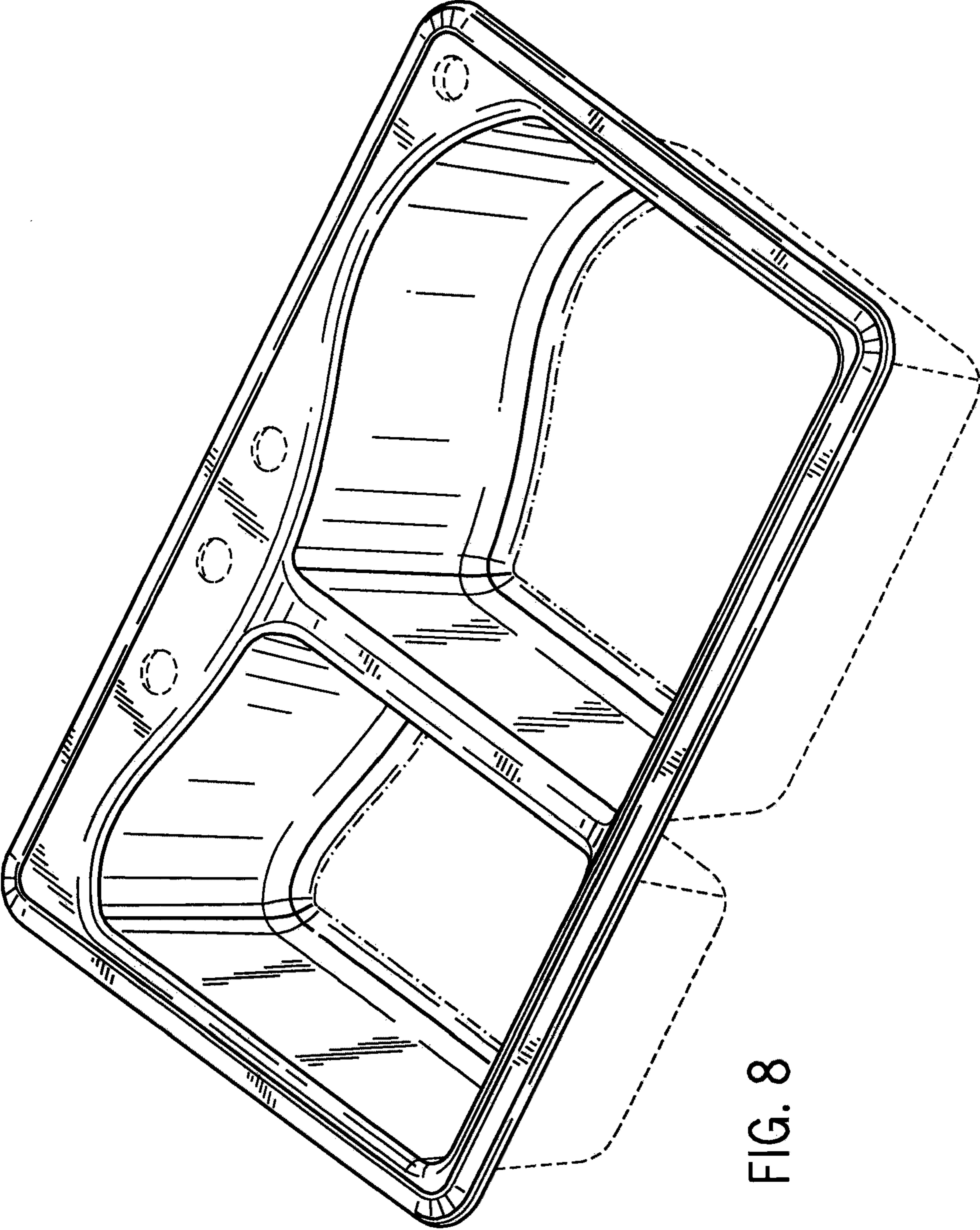


FIG. 8