



US00D645546S

(12) **United States Design Patent**
Forsythe

(10) **Patent No.:** **US D645,546 S**

(45) **Date of Patent:** **** Sep. 20, 2011**

(54) **BLOWOUT PLUG**

(75) **Inventor:** **Nathan Allen Forsythe**, Riverside, RI (US)

(73) **Assignee:** **Nathan A. Forsythe**, Riverside, RI (US)

(**) **Term:** **14 Years**

(21) **Appl. No.:** **29/373,089**

(22) **Filed:** **Feb. 25, 2011**

(51) **LOC (9) Cl.** **23-01**

(52) **U.S. Cl.** **D23/262**

(58) **Field of Classification Search** D23/259-269;
238/370-372; 138/89-91, 94; 285/121-122,
285/126, 129, 175; 52/169; 220/234, 358;
277/165

See application file for complete search history.

6,170,530	B1 *	1/2001	Steblina	138/89
6,431,215	B1 *	8/2002	Hsu	138/89
6,494,463	B1 *	12/2002	Rank	277/607
6,702,254	B2	3/2004	Noble et al.		
6,757,950	B2 *	7/2004	Malone	29/235
D600,322	S *	9/2009	Forsythe	D23/260
D607,546	S *	1/2010	Forsythe	D23/262
D608,422	S *	1/2010	Forsythe	D23/262
D608,423	S *	1/2010	Forsythe	D23/262
D610,239	S *	2/2010	Stuebgen et al.	D23/260
D620,084	S *	7/2010	Talamantez	D23/262
2002/0134447	A1 *	9/2002	Devers	138/89

* cited by examiner

Primary Examiner — T. Chase Nelson

Assistant Examiner — Eric L Goodman

(57) **CLAIM**

I claim, the ornamental design for a blowout plug, as shown and described.

(56) **References Cited**

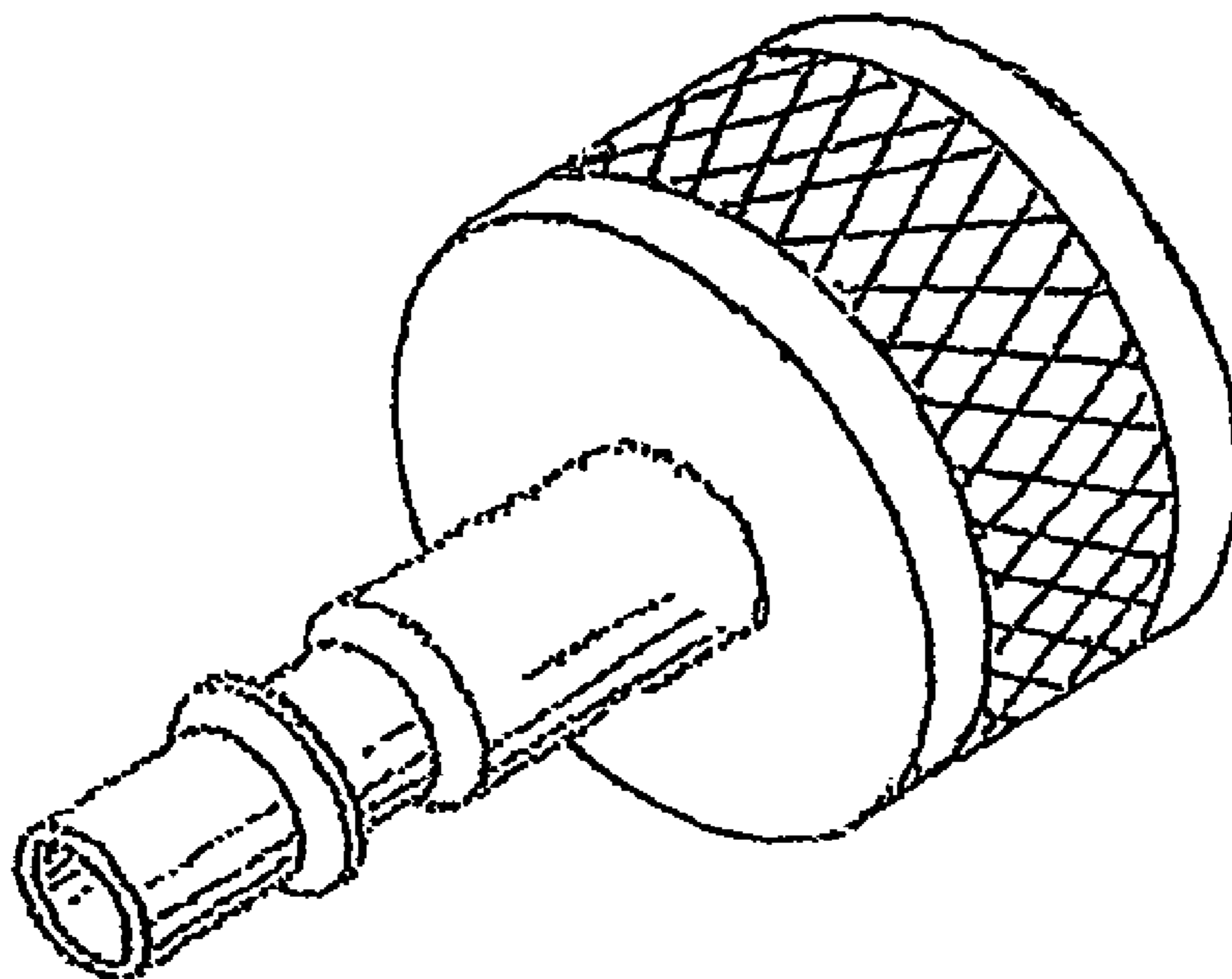
U.S. PATENT DOCUMENTS

1,948,056	A *	2/1934	Thompson	122/504.3
2,564,402	A *	8/1951	MacArthur	134/166 C
3,715,099	A	2/1973	Shendure		
3,761,117	A	9/1973	Shendure		
3,895,466	A *	7/1975	Melton	29/890.14
4,716,875	A *	1/1988	Troncoso, Jr.	123/469
4,765,173	A *	8/1988	Schellstede	72/325
5,373,869	A *	12/1994	Zdrok	138/90
D363,767	S *	10/1995	Swaim	D23/260
D375,786	S *	11/1996	Morris	D23/260
D404,472	S	1/1999	Tickle		

DESCRIPTION

FIG. 1 is an isometric view of a blowout plug embodying my new design;
FIG. 2 is a side cross-sectional view of the blowout plug adapter, taken along line 2-2 as shown in FIG. 5 thereof;
FIG. 3 is a side elevation view thereof;
FIG. 4 is a top plan view thereof; and,
FIG. 5 is bottom plan view thereof.

1 Claim, 2 Drawing Sheets



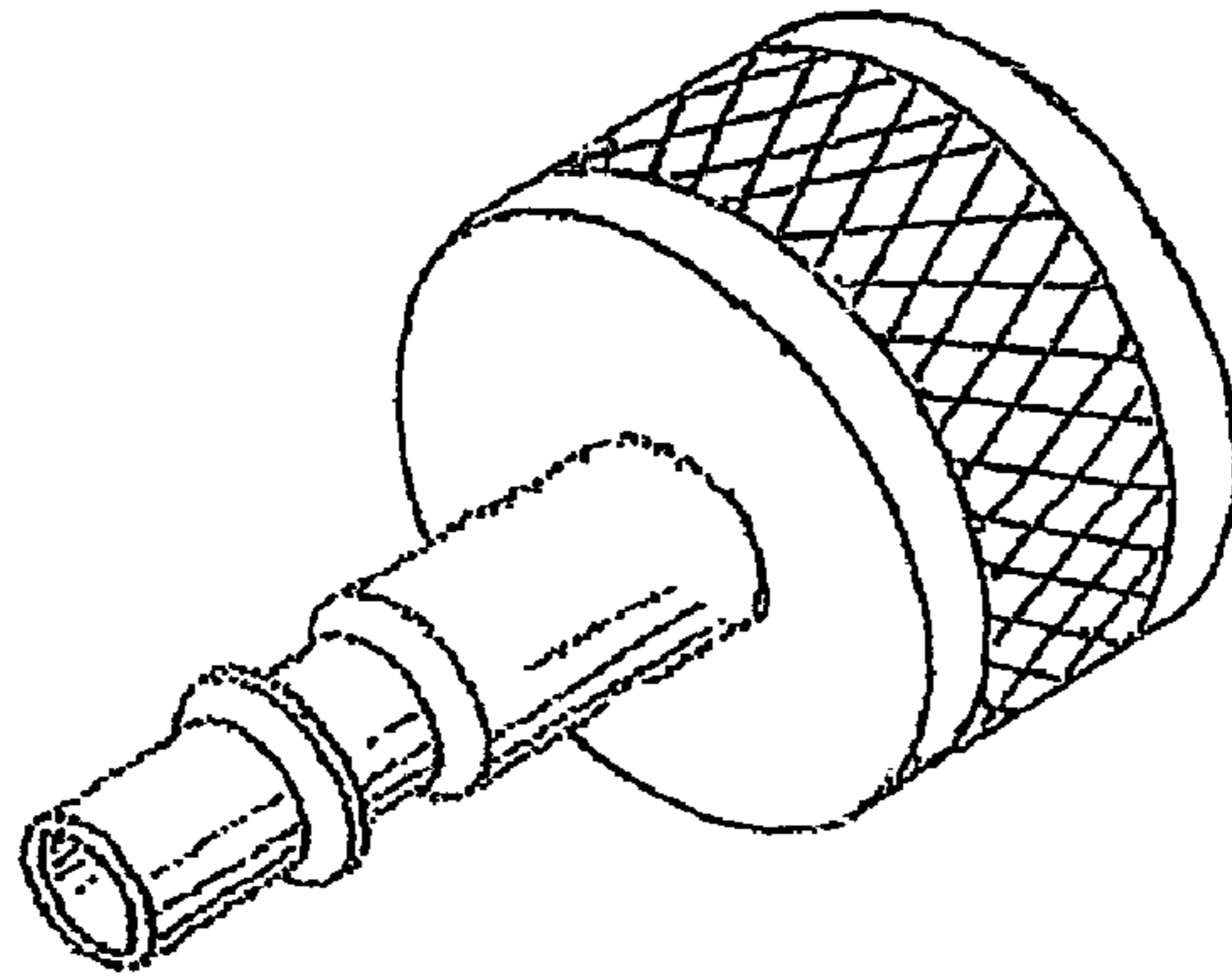


FIG. 1

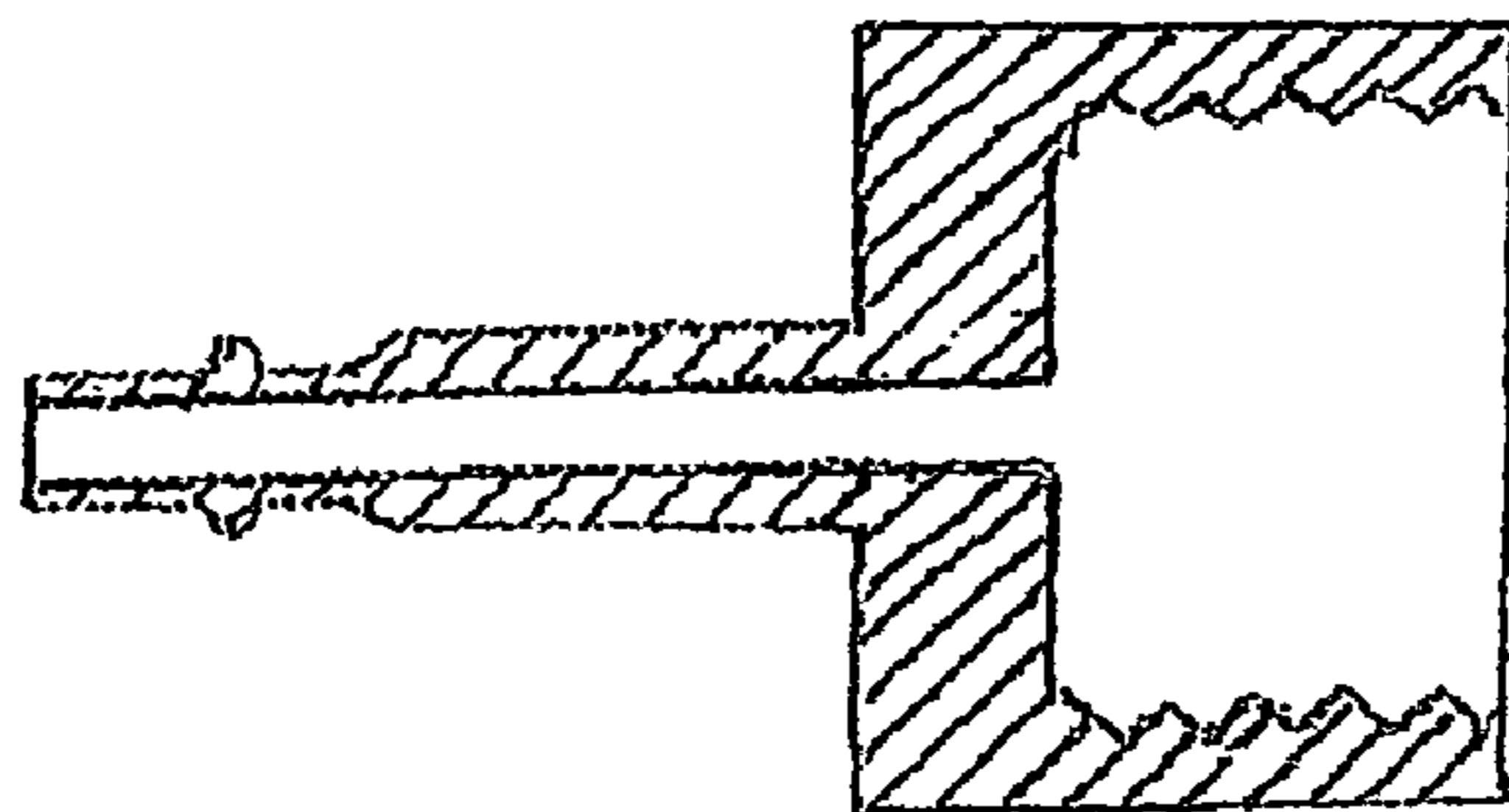


FIG. 2

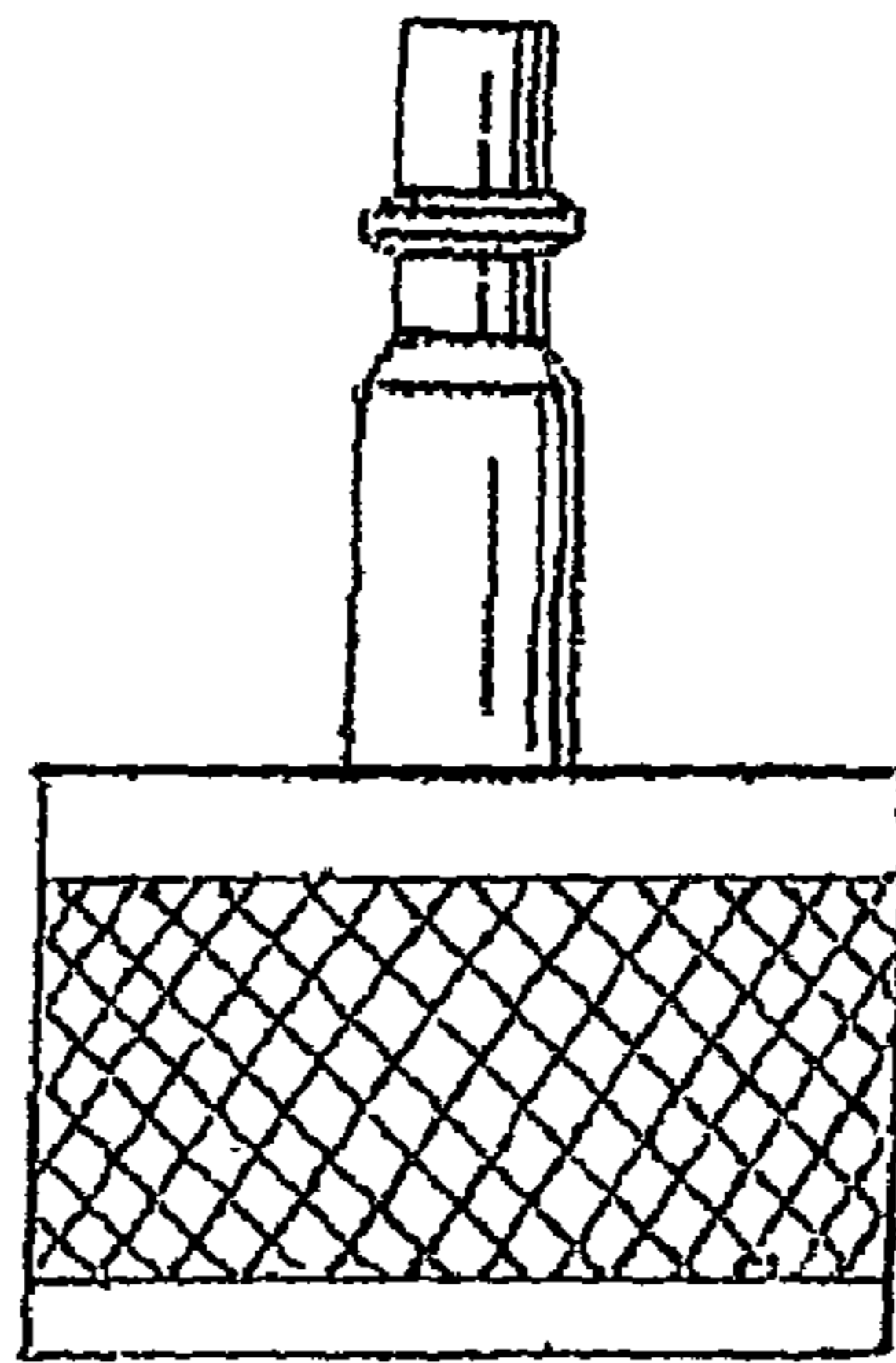


FIG. 3

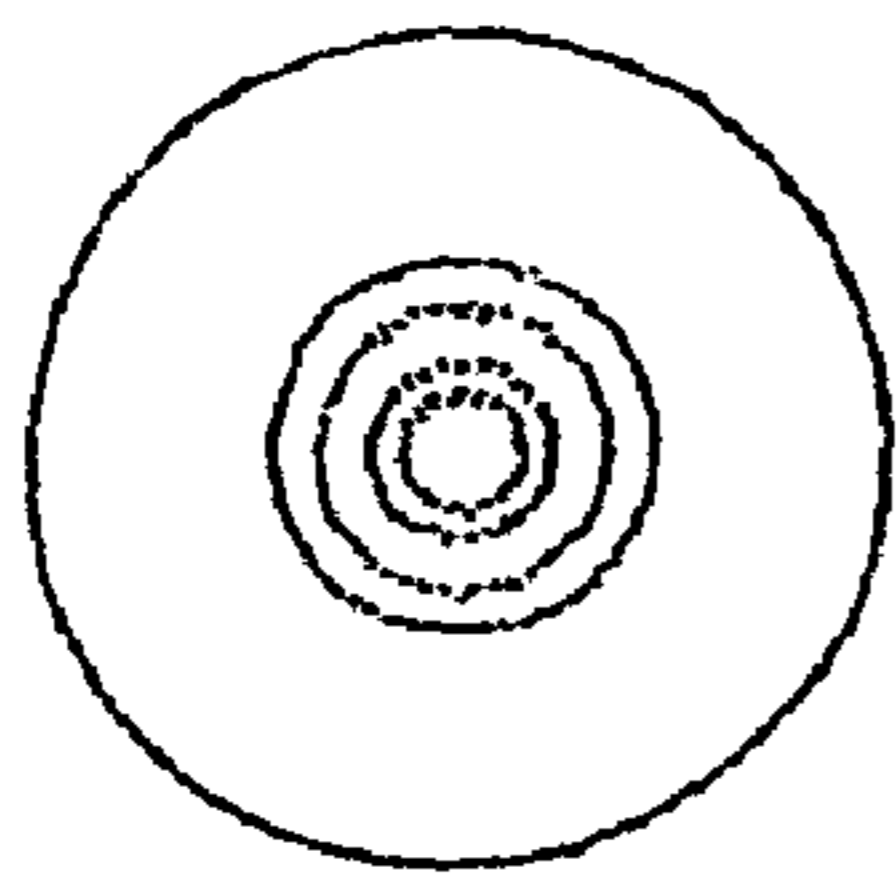


FIG. 4

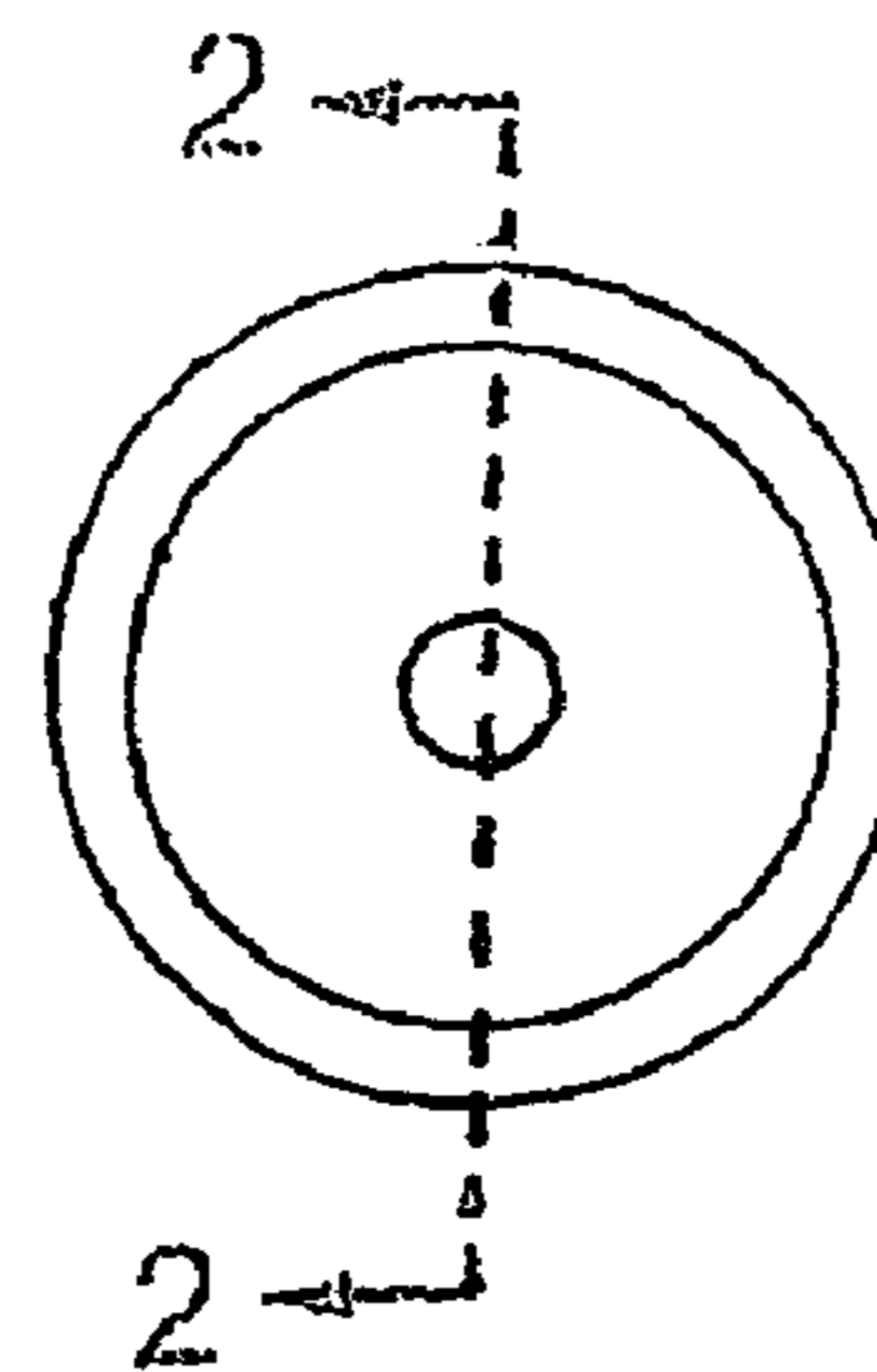


FIG. 5