



US00D645544S

(12) **United States Design Patent**  
**Flowers et al.**

(10) **Patent No.:** **US D645,544 S**  
(45) **Date of Patent:** **\*\* Sep. 20, 2011**

(54) **SINK MIXER**

(75) Inventors: **Paul Flowers**, Duesseldorf (DE); **Hans Lobermeier**, Menden (DE)

(73) Assignee: **Grohe AG**, Hemer (DE)

(\*\*) Term: **14 Years**

(21) Appl. No.: **29/386,701**

(22) Filed: **Mar. 3, 2011**

(30) **Foreign Application Priority Data**

Sep. 6, 2010 (EM) ..... 001751124-0002

(51) **LOC (9) Cl.** ..... **23-01**

(52) **U.S. Cl.** ..... **D23/238**

(58) **Field of Classification Search** ..... D23/238,  
D23/241-243, 250, 252, 255, 257; 4/676-678;  
137/801

See application file for complete search history.

(56) **References Cited**

**U.S. PATENT DOCUMENTS**

D575,848 S *	8/2008	Kirar .....	D23/238
D594,934 S *	6/2009	Vu et al. ....	D23/238
D632,365 S *	2/2011	Choi .....	D23/238
D635,221 S *	3/2011	Rubin et al. ....	D23/238

**FOREIGN PATENT DOCUMENTS**

EM	000886700-0002	2/2008
EM	001604885-0013	8/2009

\* cited by examiner

*Primary Examiner* — Robert Delehanty

(74) *Attorney, Agent, or Firm* — Muncy, Geissler, Olds & Lowe, PLLC

(57) **CLAIM**

The ornamental design for a sink mixer, as shown and described.

**DESCRIPTION**

FIG. 1 is a left side elevational view of a sink mixer according to the present invention.

FIG. 2 is a right side elevational view of the sink mixer of FIG. 1.

FIG. 3 is a top plan view of the sink mixer of FIG. 1.

FIG. 4 is a bottom plan view of the sink mixer of FIG. 1.

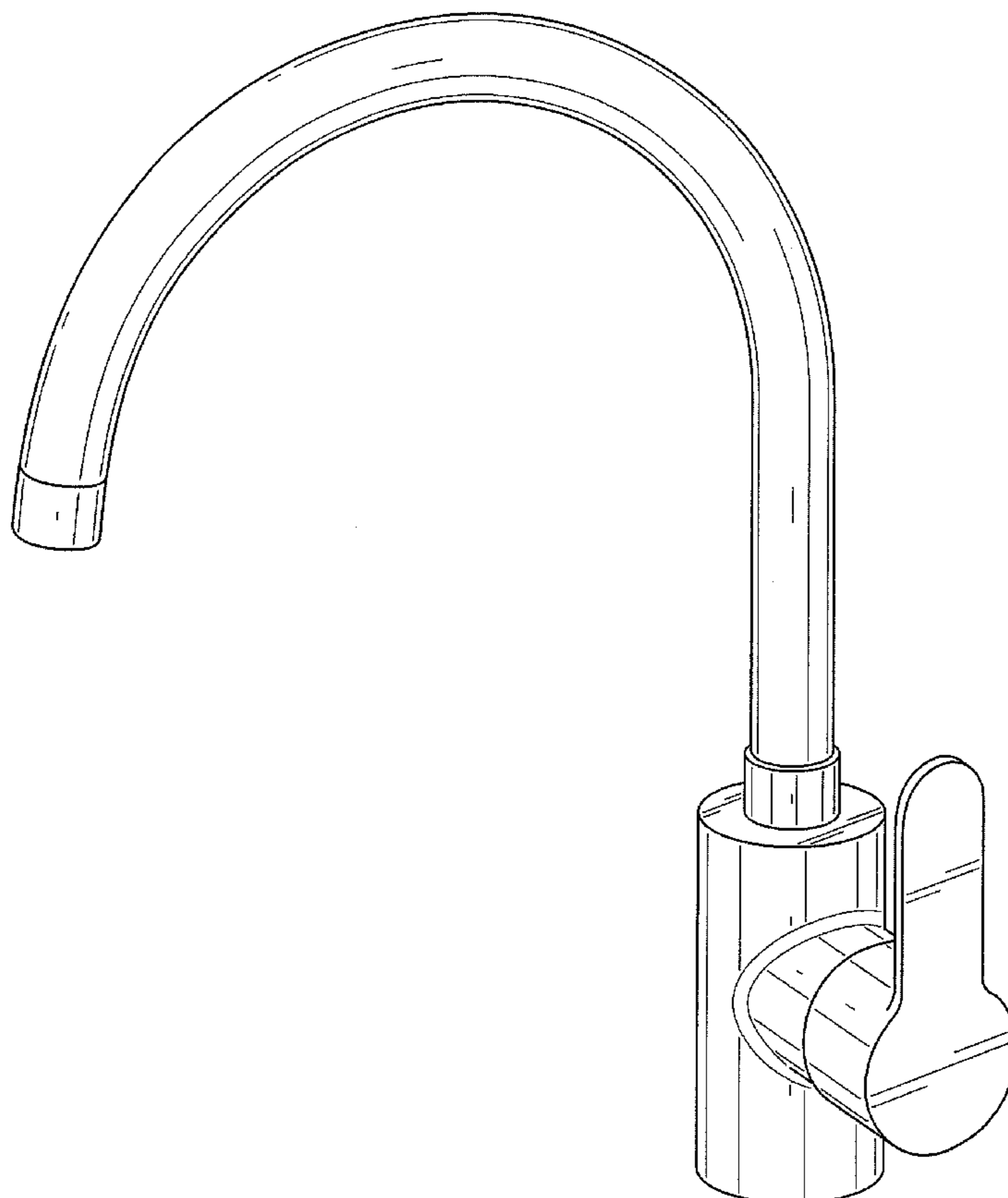
FIG. 5 is a front elevational view of the sink mixer of FIG. 1.

FIG. 6 is a rear elevational view of the sink mixer of FIG. 1; and,

FIG. 7 is a three quarter view of the sink mixer of FIG. 1.

The dashed lines illustrate environment that does not form a part of the present invention, and no claim is made to the material illustrated with dashed lines.

**1 Claim, 5 Drawing Sheets**



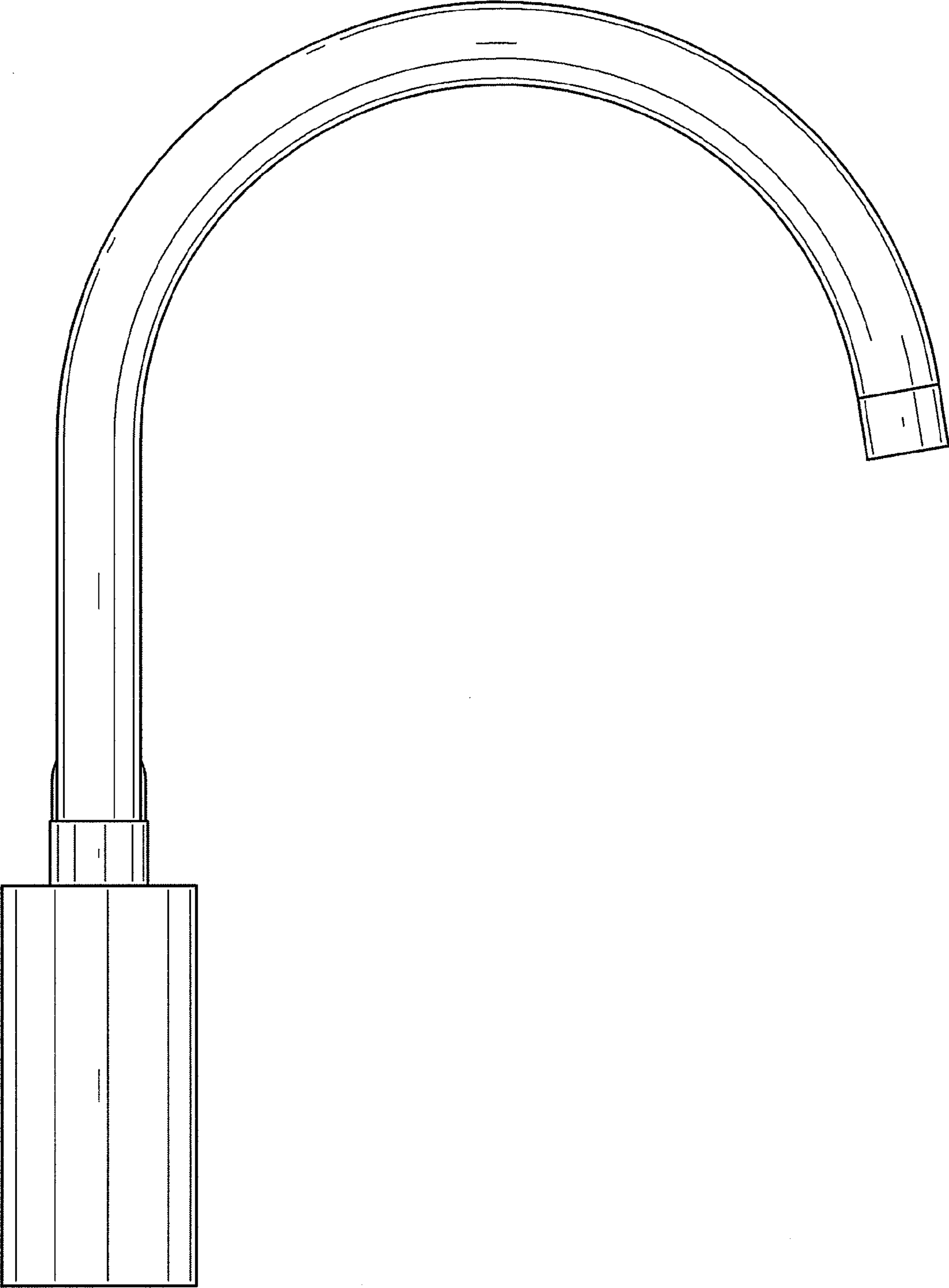


FIG. 1

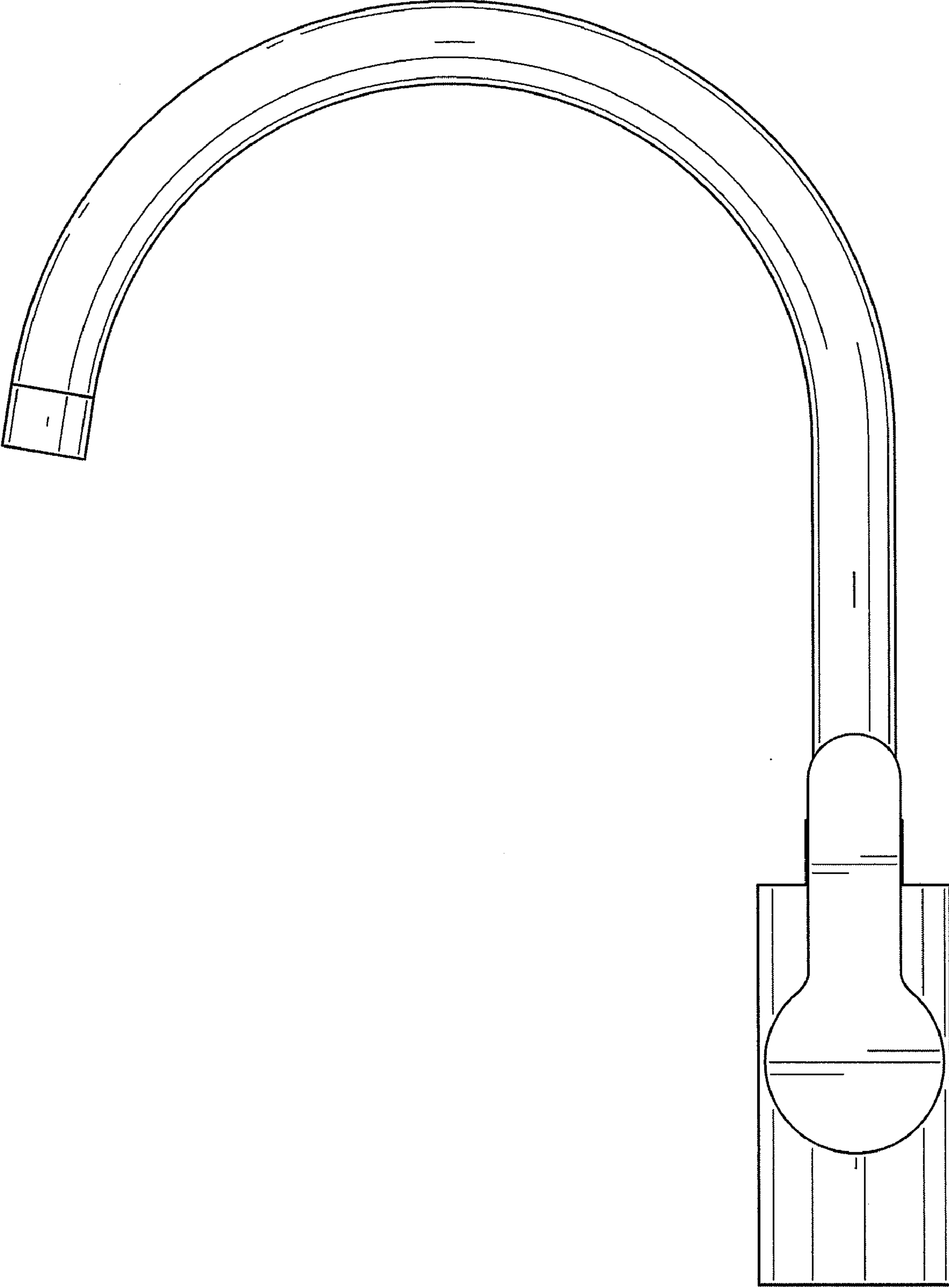


FIG. 2

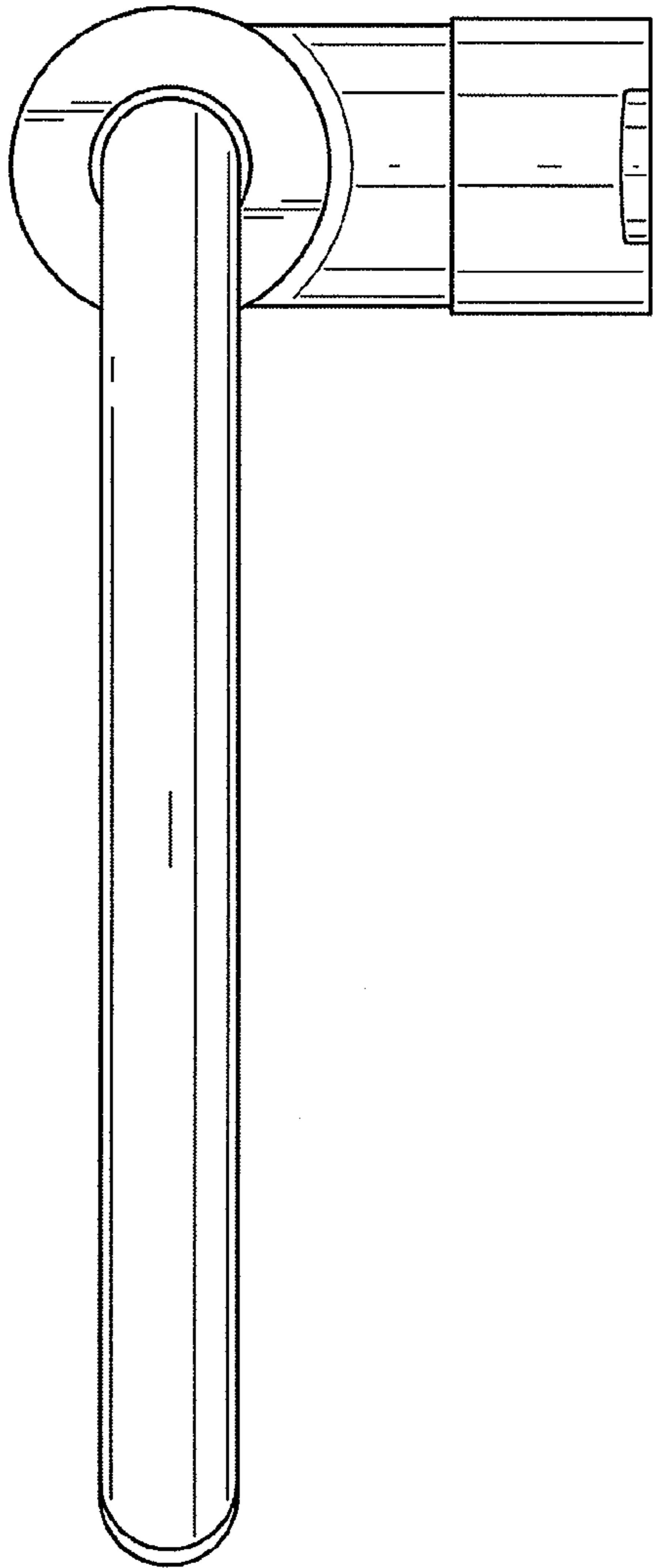


FIG. 3

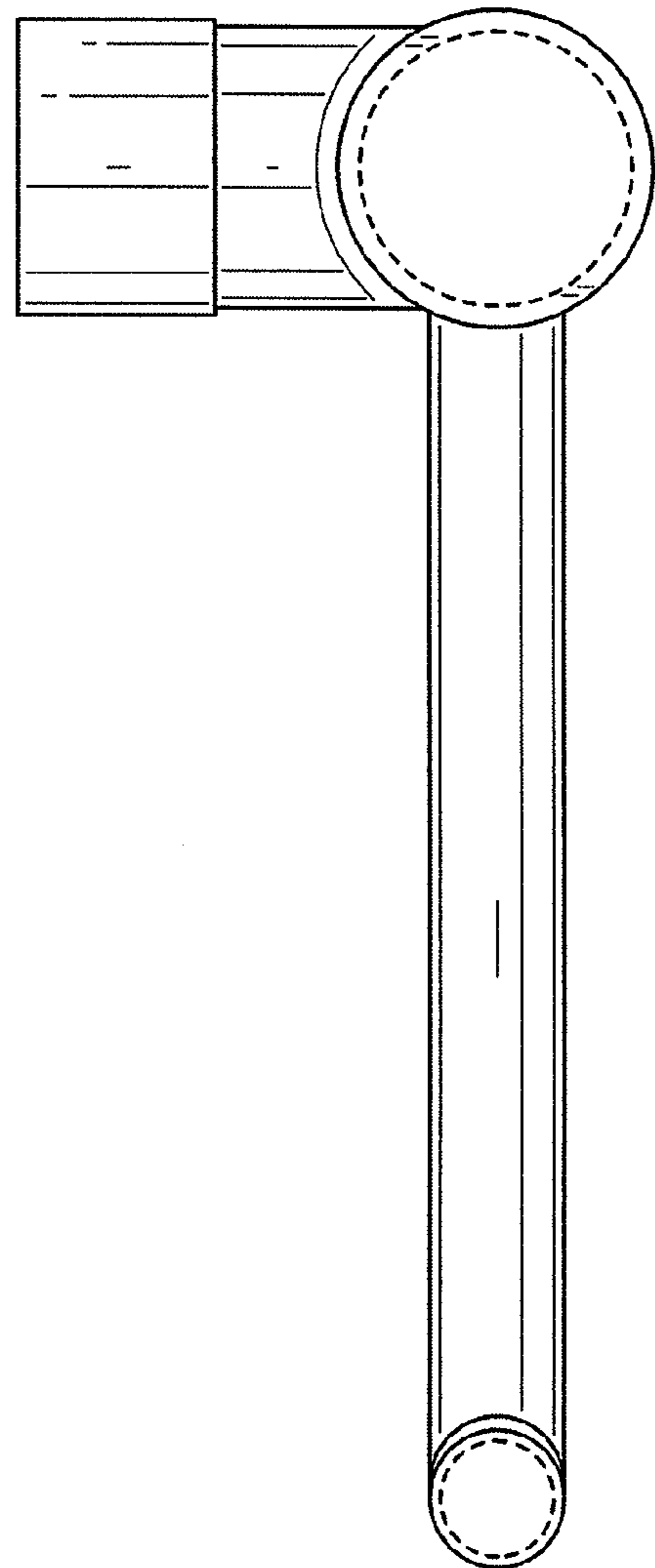


FIG. 4

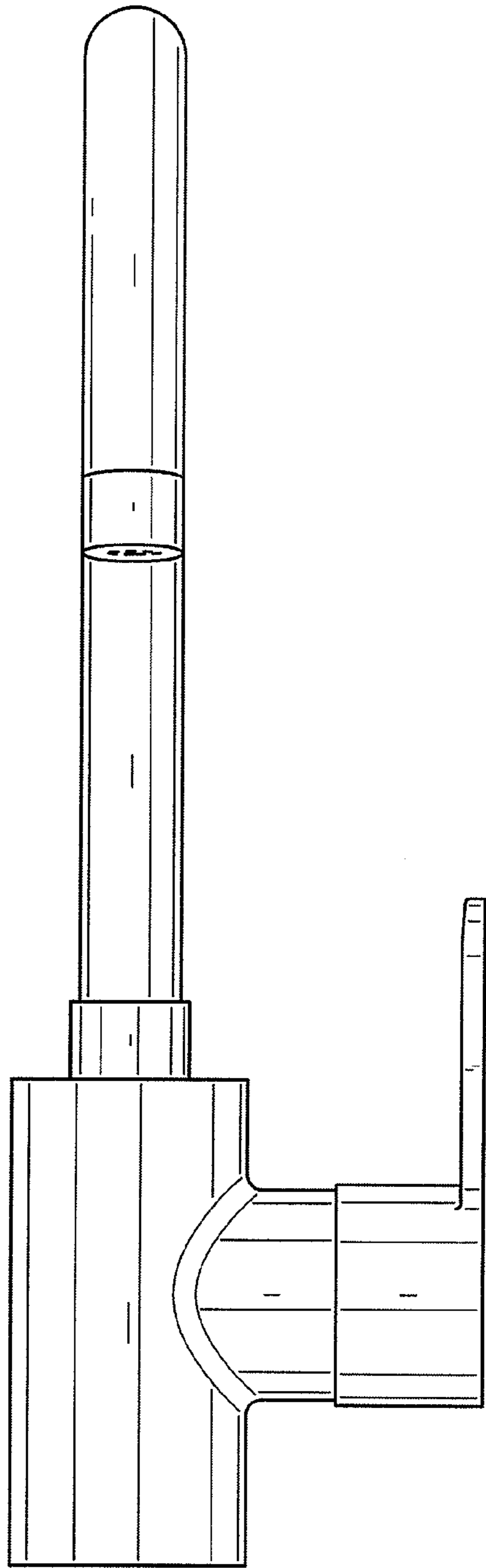


FIG. 5

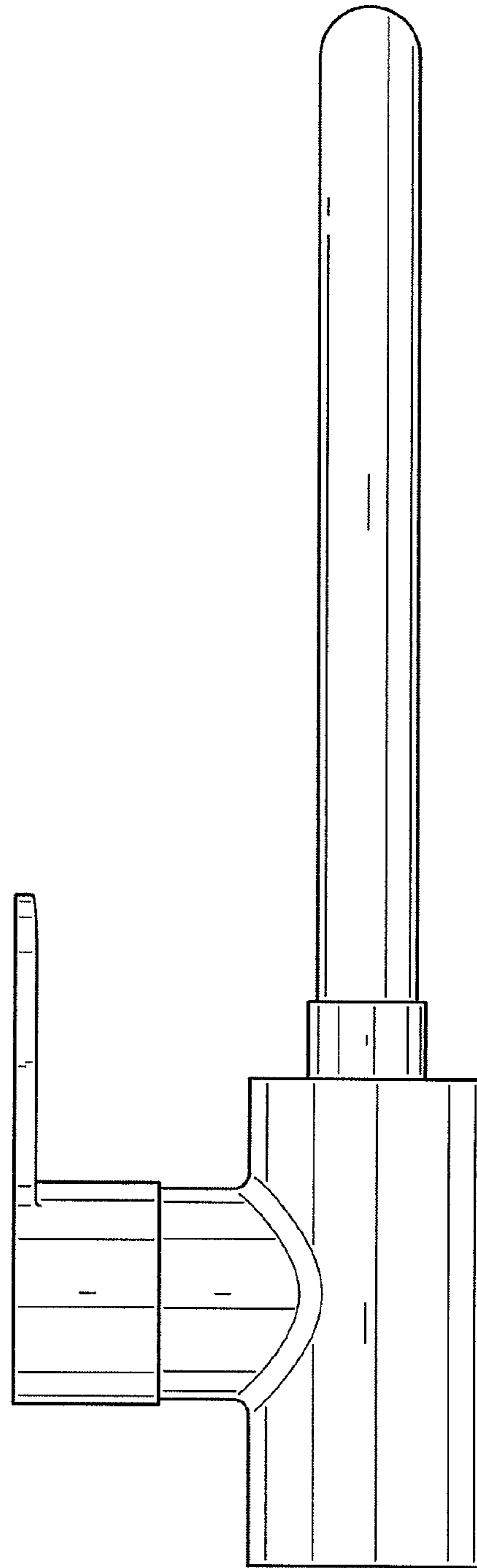


FIG. 6

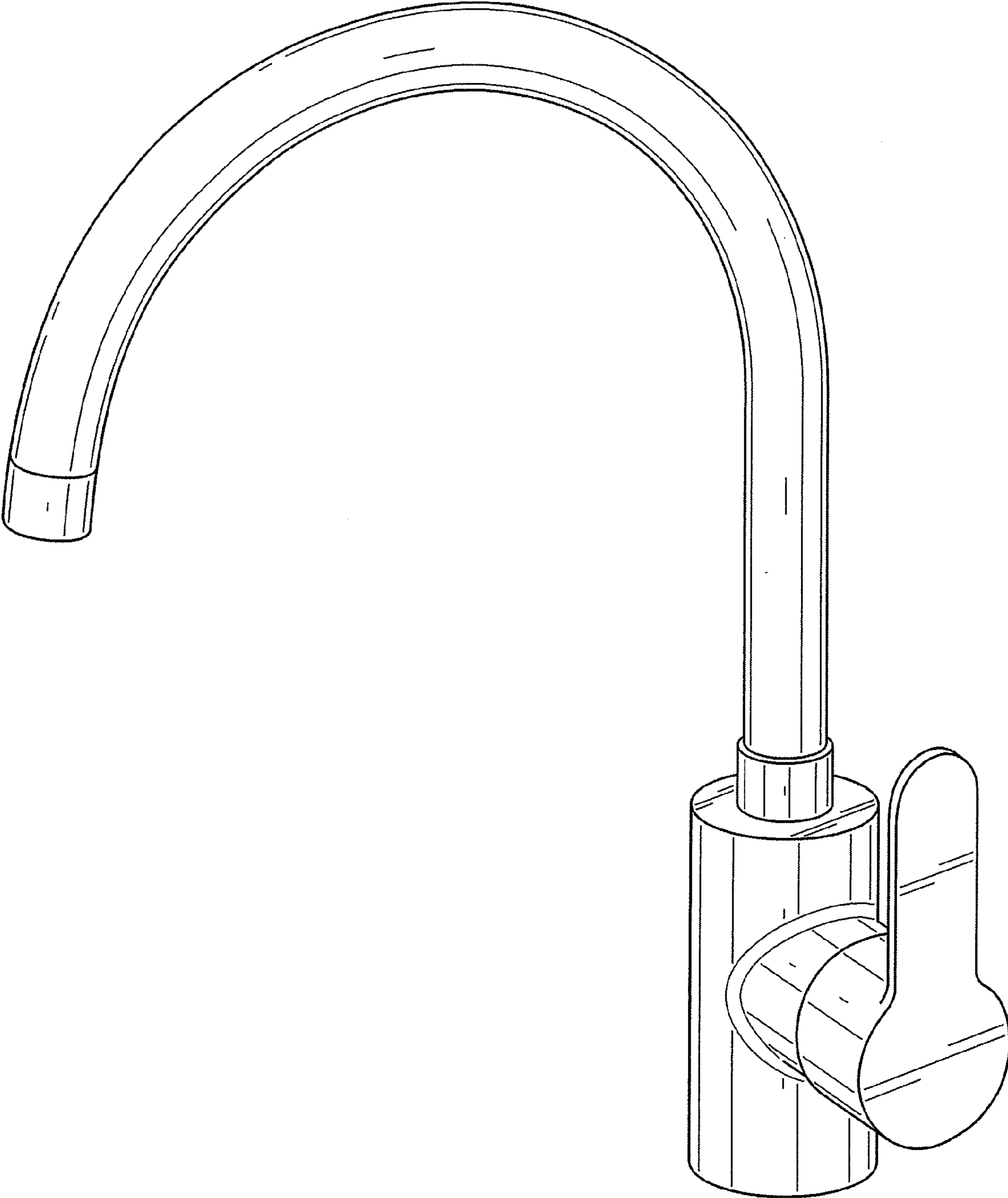


FIG. 7