



US00D645543S

(12) **United States Design Patent**
Lai

(10) **Patent No.:** **US D645,543 S**

(45) **Date of Patent:** **** Sep. 20, 2011**

(54) **SWITCH VALVE**

(75) Inventor: **Hung-Lin Lai**, Changhua (TW)

(73) Assignee: **Wen Sheng Fli Co. Ltd.**, Changhua (TW)

(**) Term: **14 Years**

(21) Appl. No.: **29/387,831**

(22) Filed: **Mar. 18, 2011**

(51) **LOC (9) Cl.** **23-01**

(52) **U.S. Cl.** **D23/233; D23/250**

(58) **Field of Classification Search** **D23/233-237,**
D23/244-250; 251/14, 309-310, 315, 315.01,
251/315.1

See application file for complete search history.

(56) **References Cited**

U.S. PATENT DOCUMENTS

D430,272 S *	8/2000	Hung-Lin	D23/245
D448,454 S *	9/2001	Lai	D23/245
D458,665 S *	6/2002	Lai	D23/233
D459,792 S *	7/2002	Lai	D23/252
D473,631 S *	4/2003	Lai	D23/245
D473,931 S *	4/2003	Lai	D23/245
D478,650 S *	8/2003	Lai	D23/233

D583,019 S *	12/2008	Soriano	D23/250
D583,910 S *	12/2008	Hoernig	D23/250
D605,252 S *	12/2009	Lai	D23/233
D605,254 S *	12/2009	Lai	D23/233
D611,573 S *	3/2010	Gao	D23/250
D621,914 S *	8/2010	Fritz et al.	D23/250

* cited by examiner

Primary Examiner — Cathron C. Brooks

Assistant Examiner — Maurice Stevens

(74) *Attorney, Agent, or Firm* — Che-Yang Chen; Law Office of Michael Chen

(57) **CLAIM**

The ornamental design for a switch valve, as shown and described.

DESCRIPTION

FIG. 1 is a perspective view of a switch valve showing my new design;

FIG. 2 is a front view of the embodiment shown in FIG. 1;

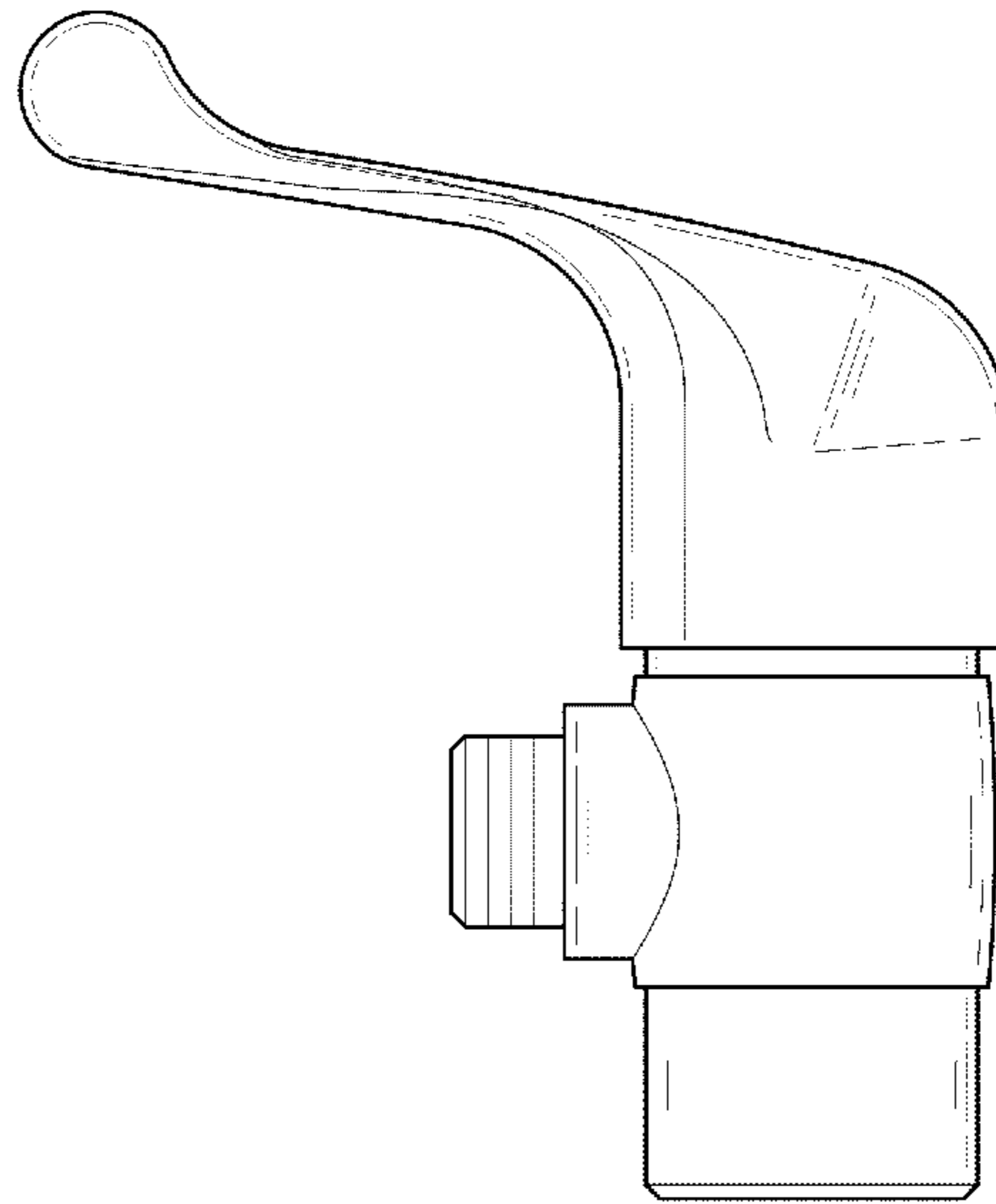
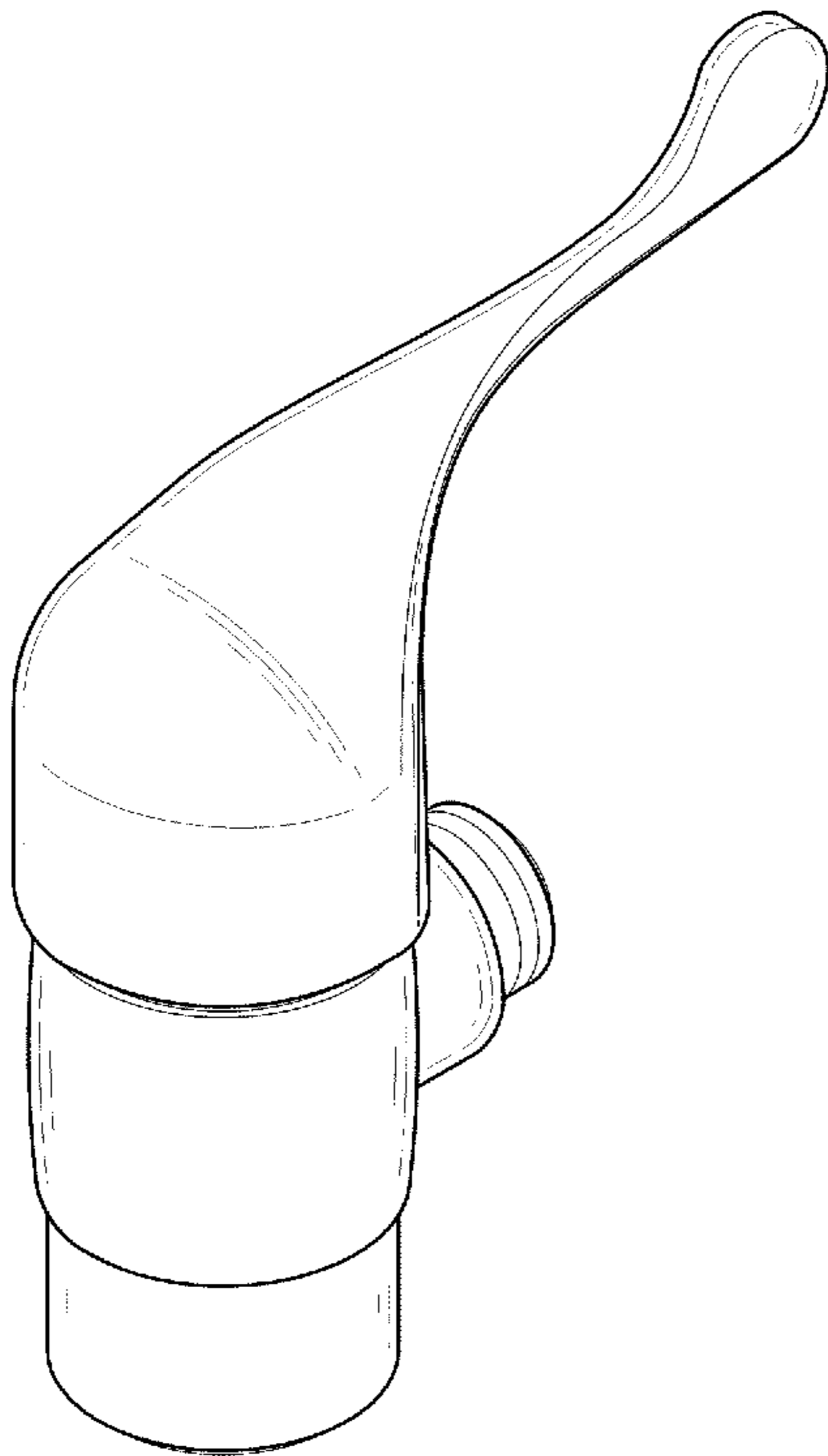
FIG. 3 is a rear view of the embodiment shown in FIG. 1;

FIG. 4 is a left side view of the embodiment shown in FIG. 1;

FIG. 5 is a right side view of the embodiment shown in FIG. 1;

FIG. 6 is a top view of the embodiment shown in FIG. 1; and, FIG. 7 is a bottom view of the embodiment shown in FIG. 1.

1 Claim, 4 Drawing Sheets



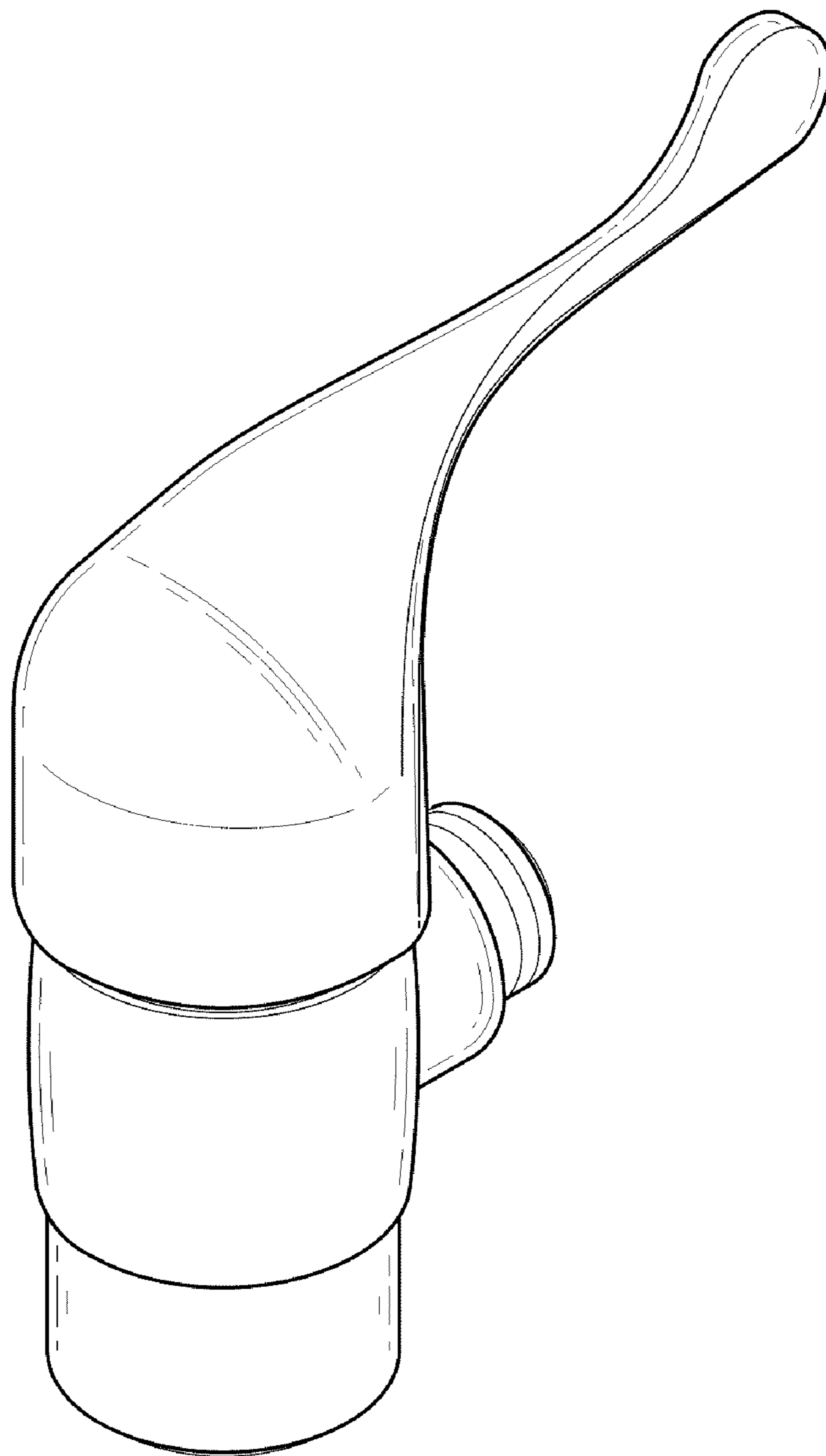


FIG. 1

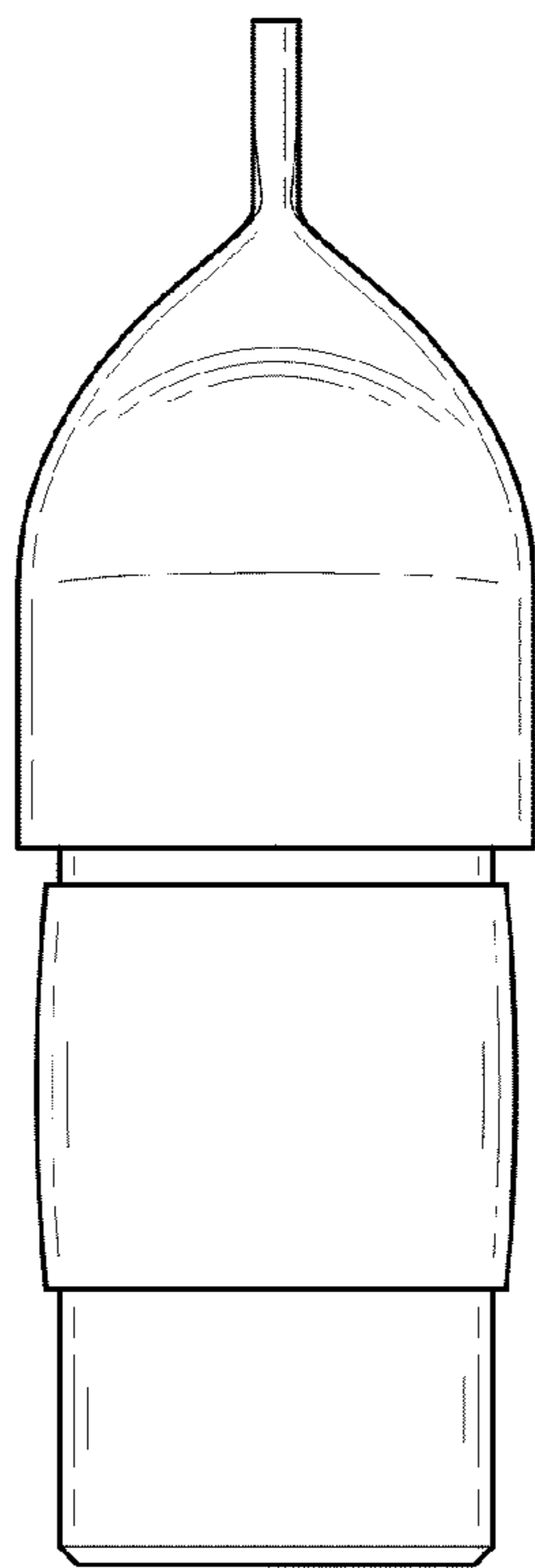


FIG. 2

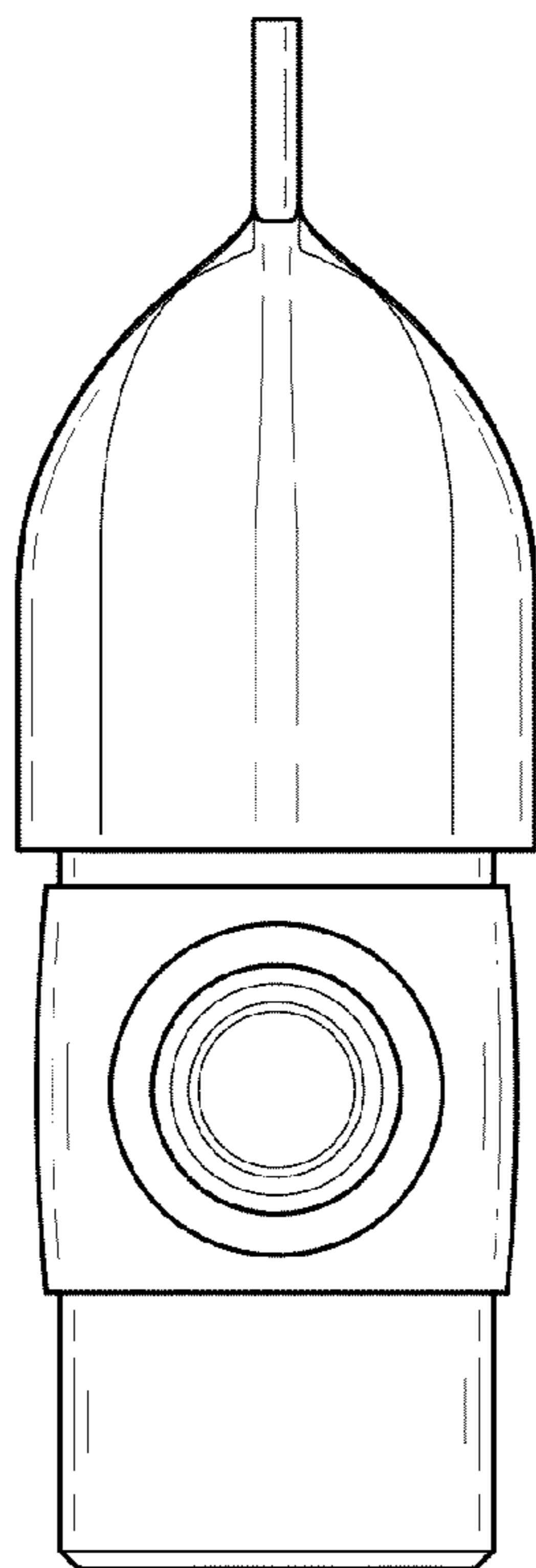


FIG. 3

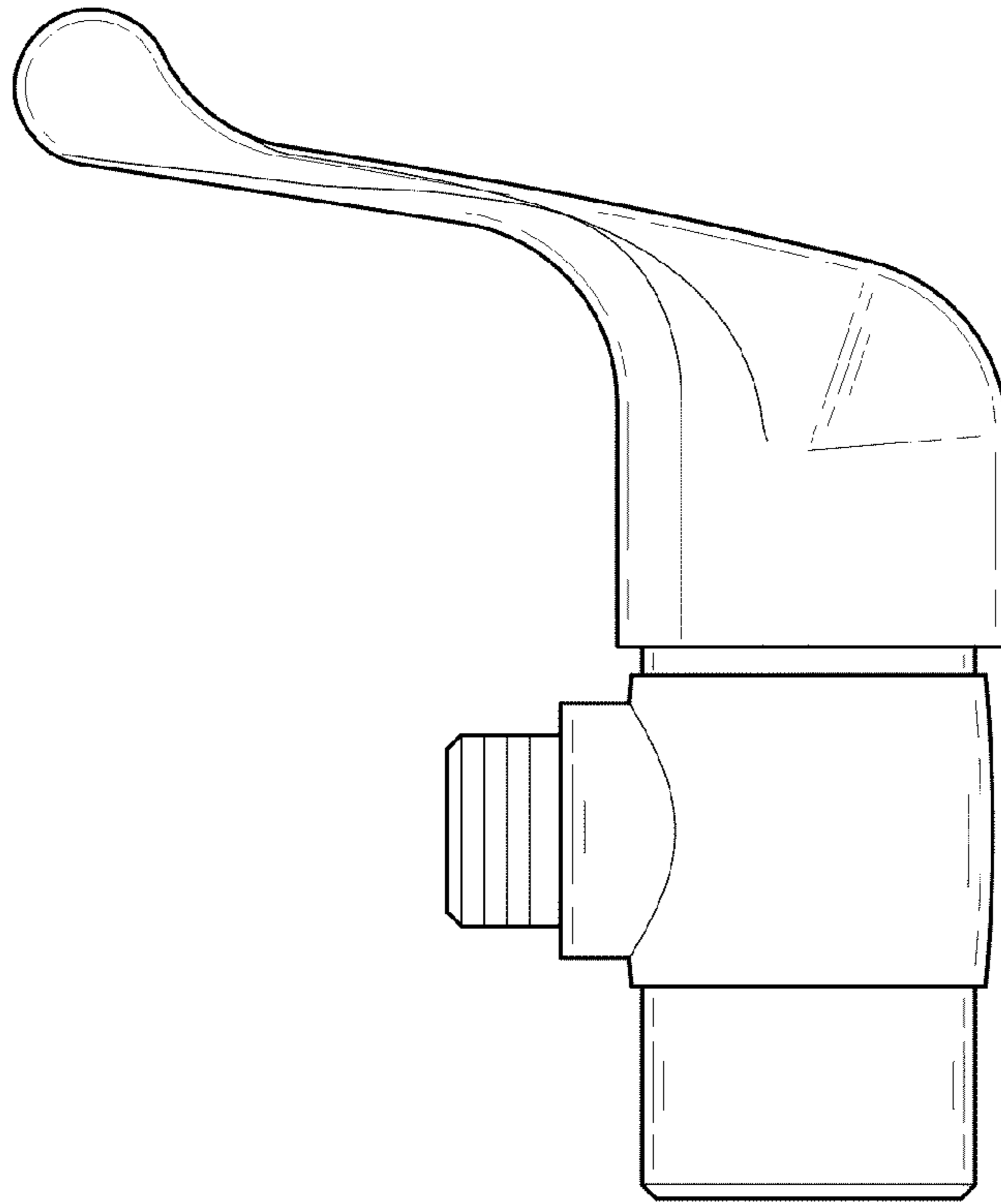


FIG. 4

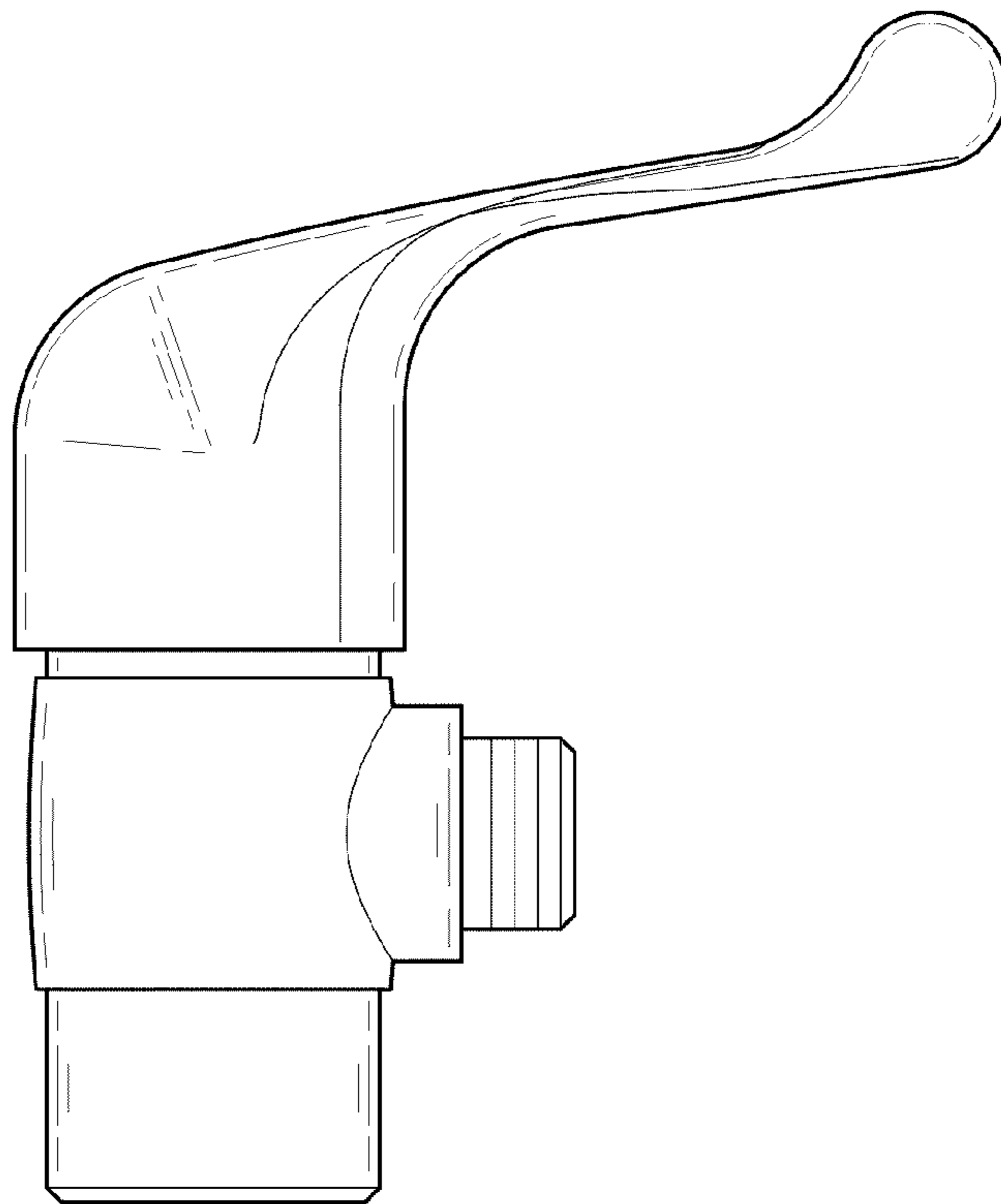


FIG. 5

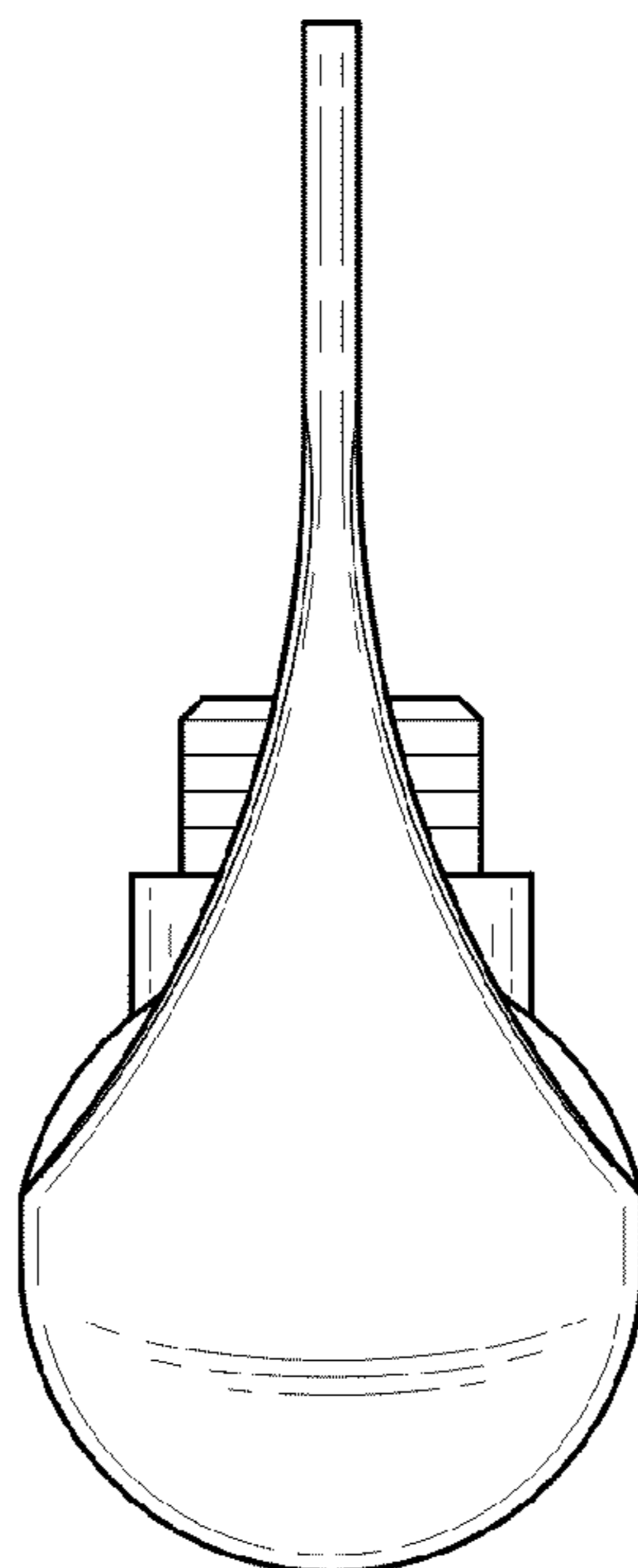


FIG. 6

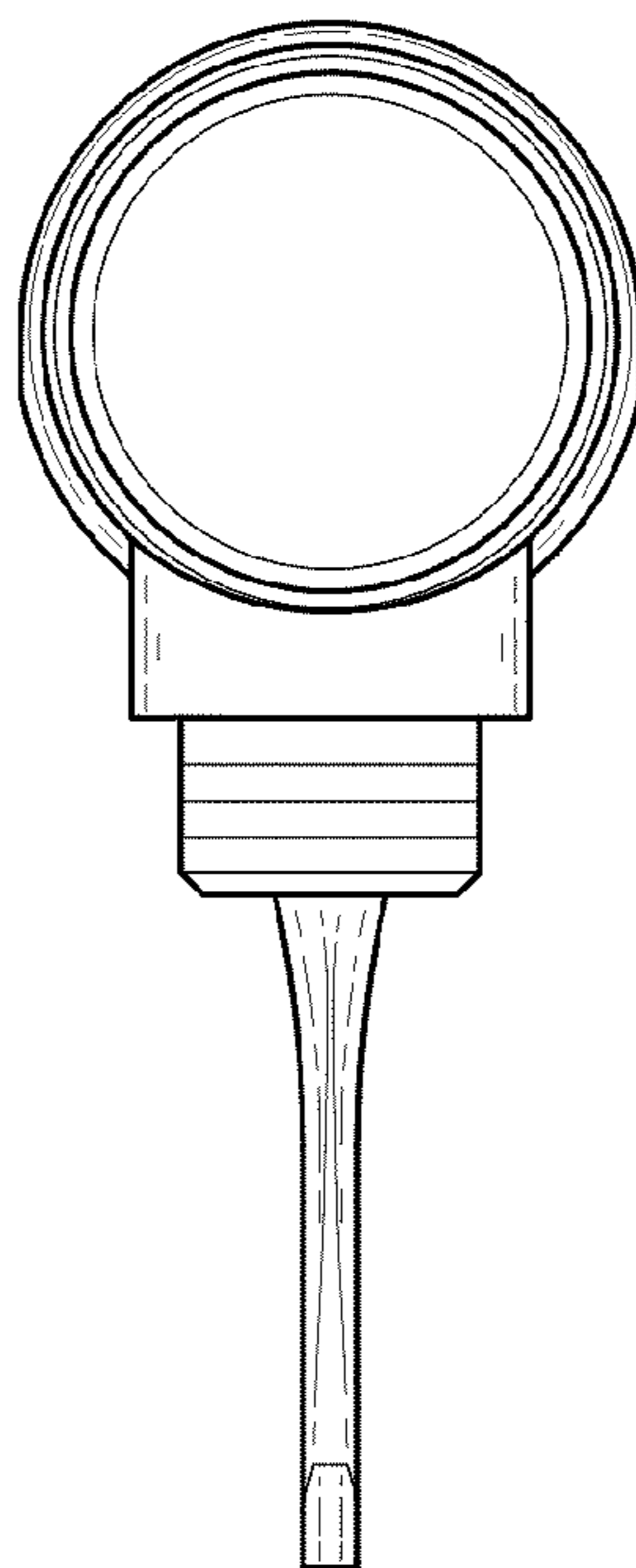


FIG. 7