



US00D645541S

(12) **United States Design Patent**
Miller

(10) **Patent No.:** **US D645,541 S**

(45) **Date of Patent:** **** Sep. 20, 2011**

(54) **PAINT SPRAYER**

(75) Inventor: **David A. Miller**, Baltimore, MD (US)

(73) Assignee: **Black & Decker Inc.**, Newark, DE (US)

(**) Term: **14 Years**

(21) Appl. No.: **29/388,137**

(22) Filed: **Mar. 24, 2011**

(51) **LOC (9) Cl.** **23-01**

(52) **U.S. Cl.** **D23/225**

(58) **Field of Classification Search** D23/213,
D23/225, 223; 239/302, 308, 332, 333, 337,
239/DIG. 14; 222/383.1

See application file for complete search history.

(56) **References Cited**

U.S. PATENT DOCUMENTS

D235,871 S *	7/1975	Parks et al.	D23/225
D490,500 S *	5/2004	Ye et al.	D23/225
D495,400 S *	8/2004	Hopper	D23/225

7,350,723 B2 *	4/2008	Reedy	239/332
D623,722 S *	9/2010	Tinius	D23/225
D633,176 S *	2/2011	Blenkush et al.	D23/225

* cited by examiner

Primary Examiner — Robin V Webster

(74) *Attorney, Agent, or Firm* — Stephen R. Valancius

(57) **CLAIM**

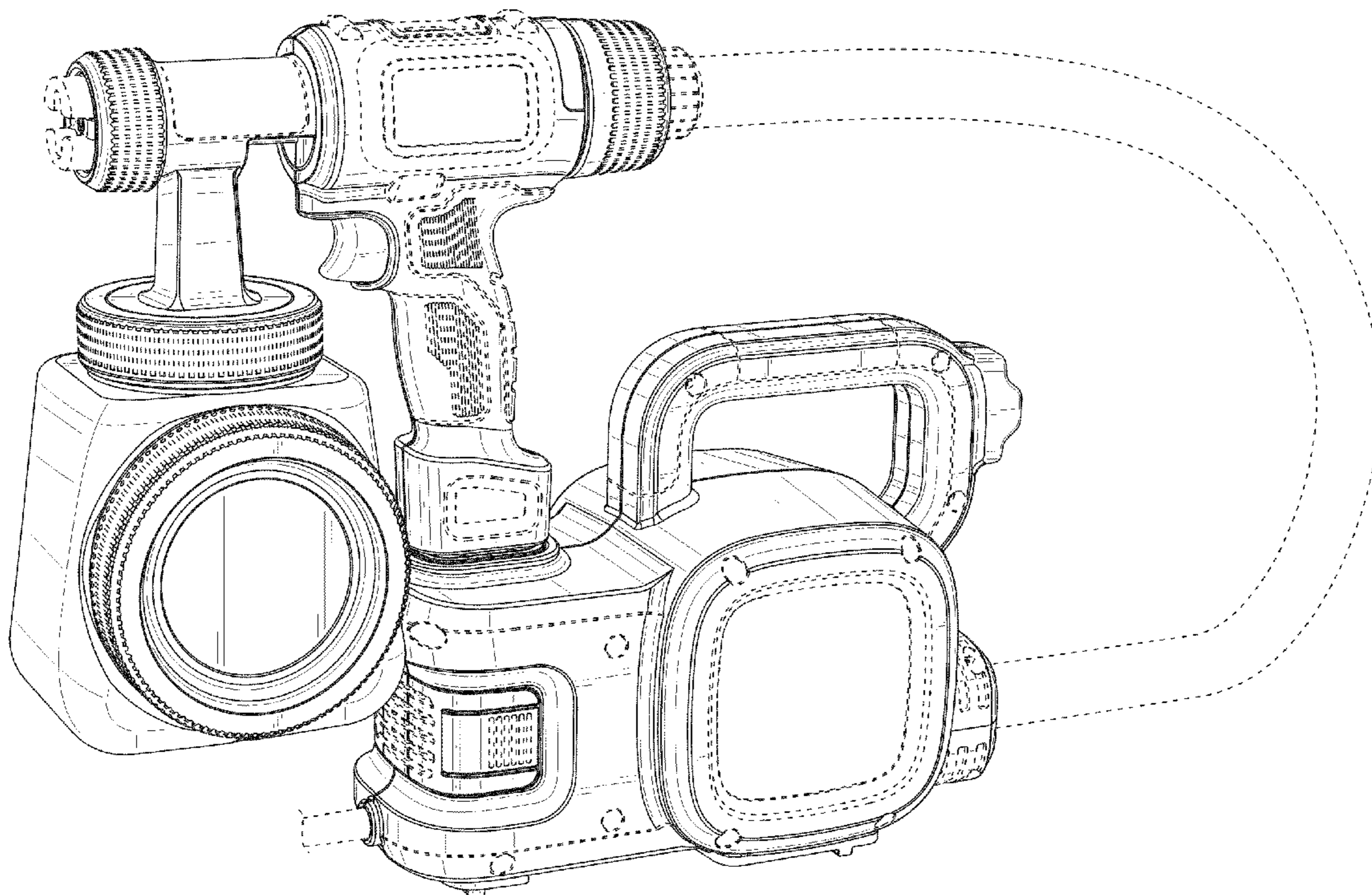
The ornamental design for a paint sprayer, as shown and described.

DESCRIPTION

FIG. 1 is a left perspective view of a paint sprayer according to the present invention;
FIG. 2 is a front view of the paint sprayer of FIG. 1;
FIG. 3 is a back view of the paint sprayer of FIG. 1;
FIG. 4 is a right side view of the paint sprayer of FIG. 1;
FIG. 5 is a left side view of the paint sprayer of FIG. 1;
FIG. 6 is a top view of the paint sprayer of FIG. 1; and
FIG. 7 is a bottom view of the paint sprayer of FIG. 1; and,
FIG. 8 is a right perspective view of a paint sprayer according to the present invention.

The broken lines in the figures illustrate features that form no part of the claimed design.

1 Claim, 6 Drawing Sheets



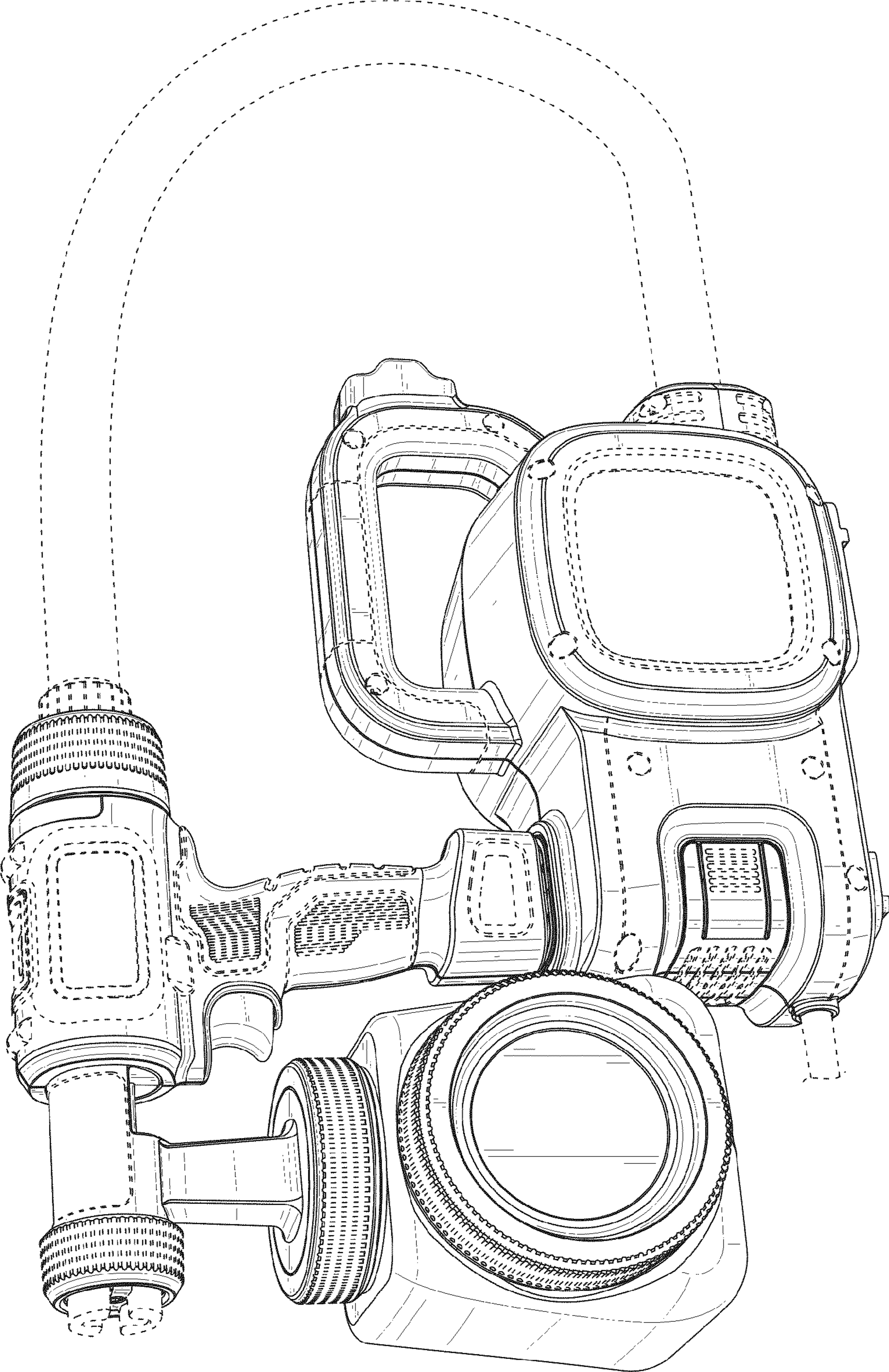


FIG. 1

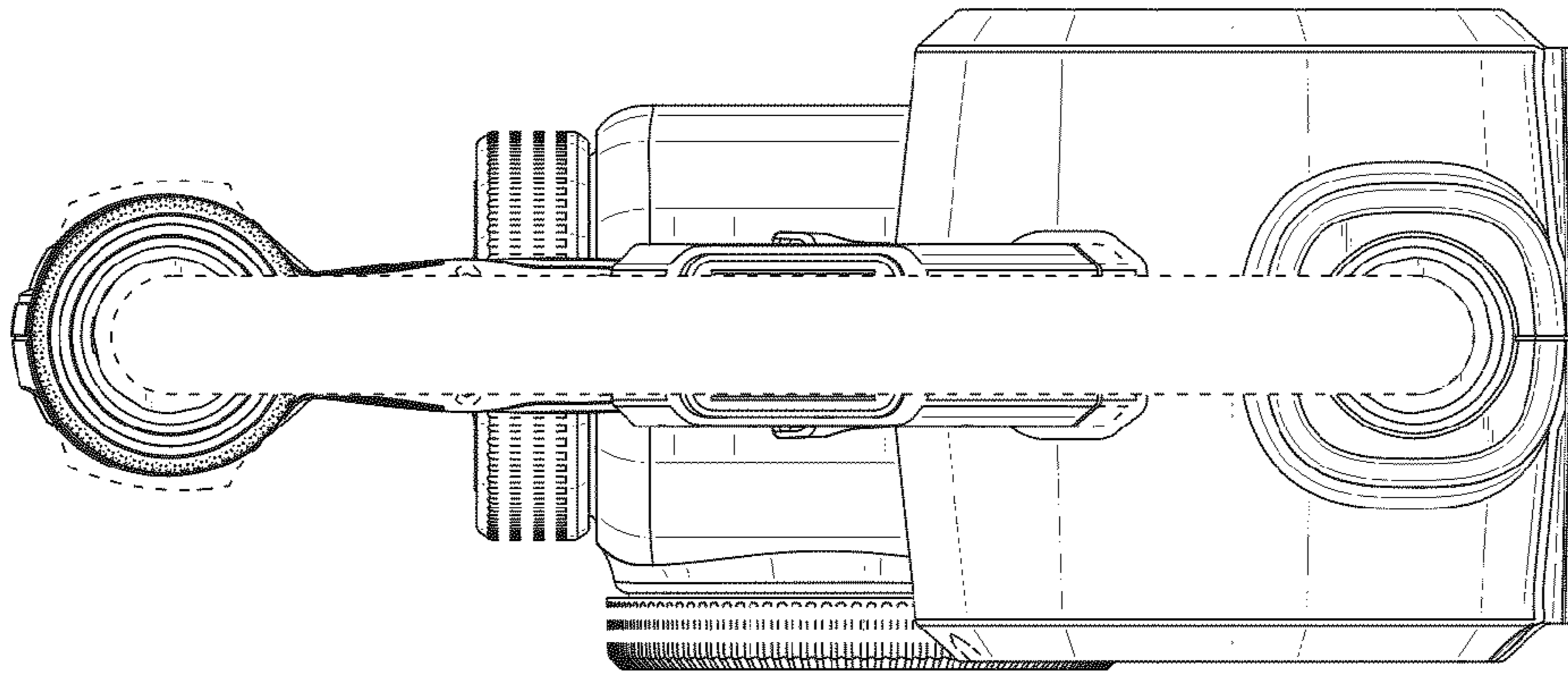


FIG. 3

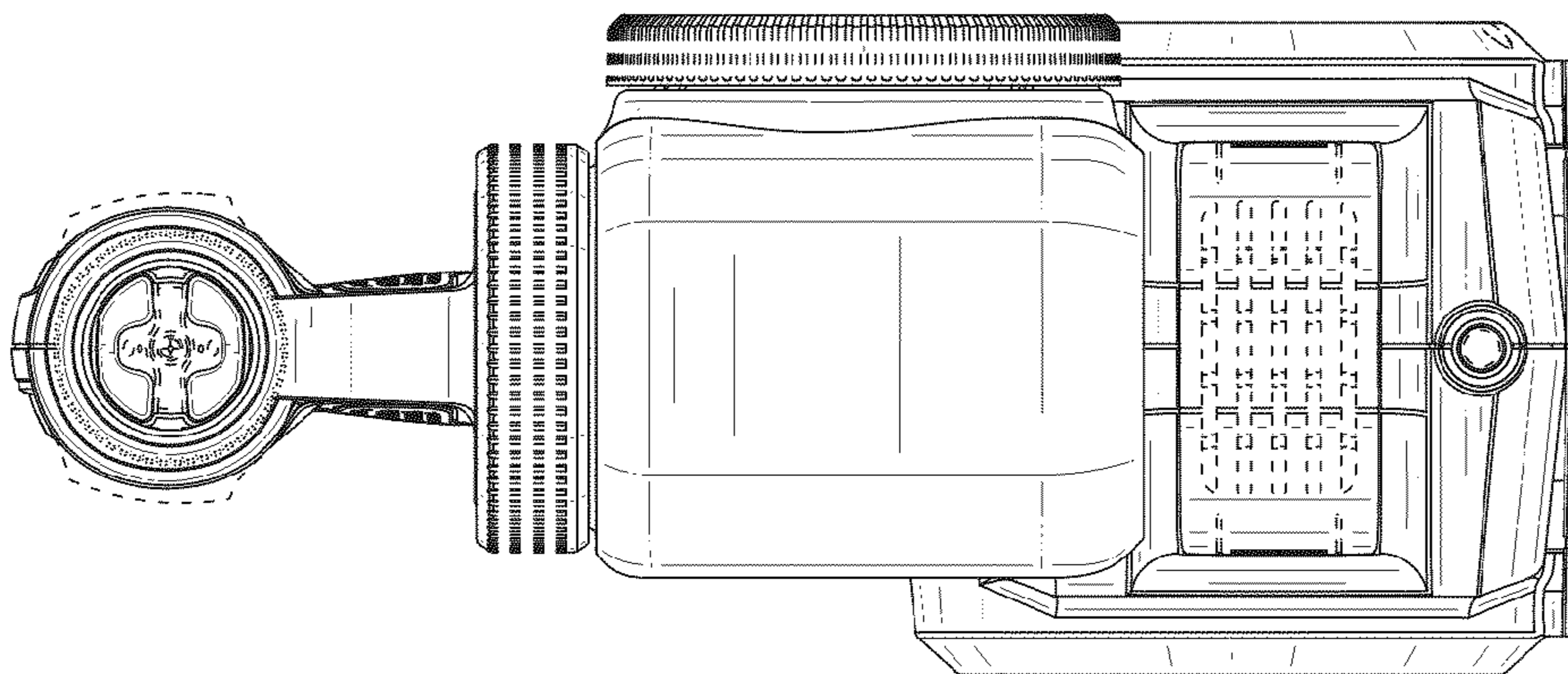


FIG. 2

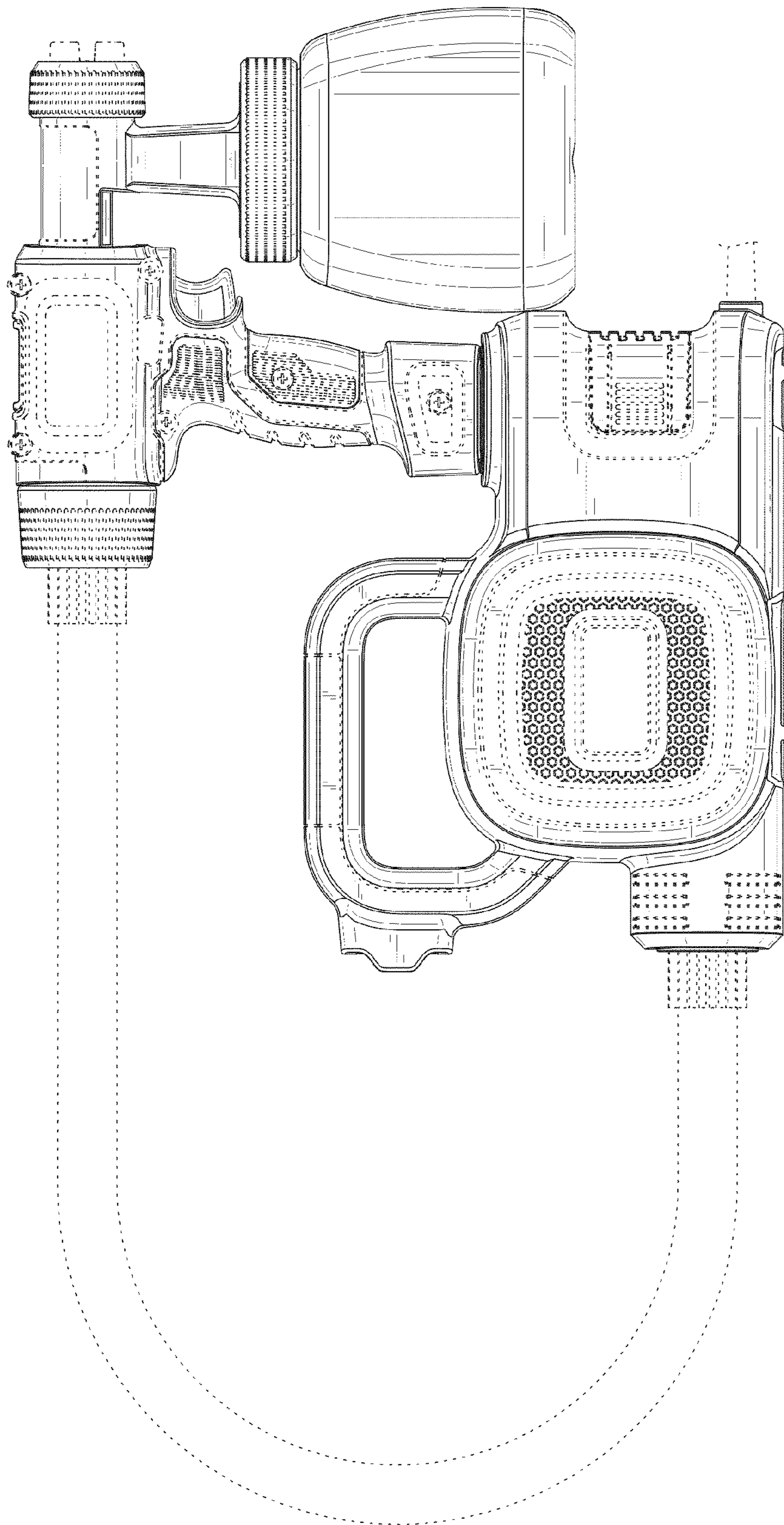


FIG. 4

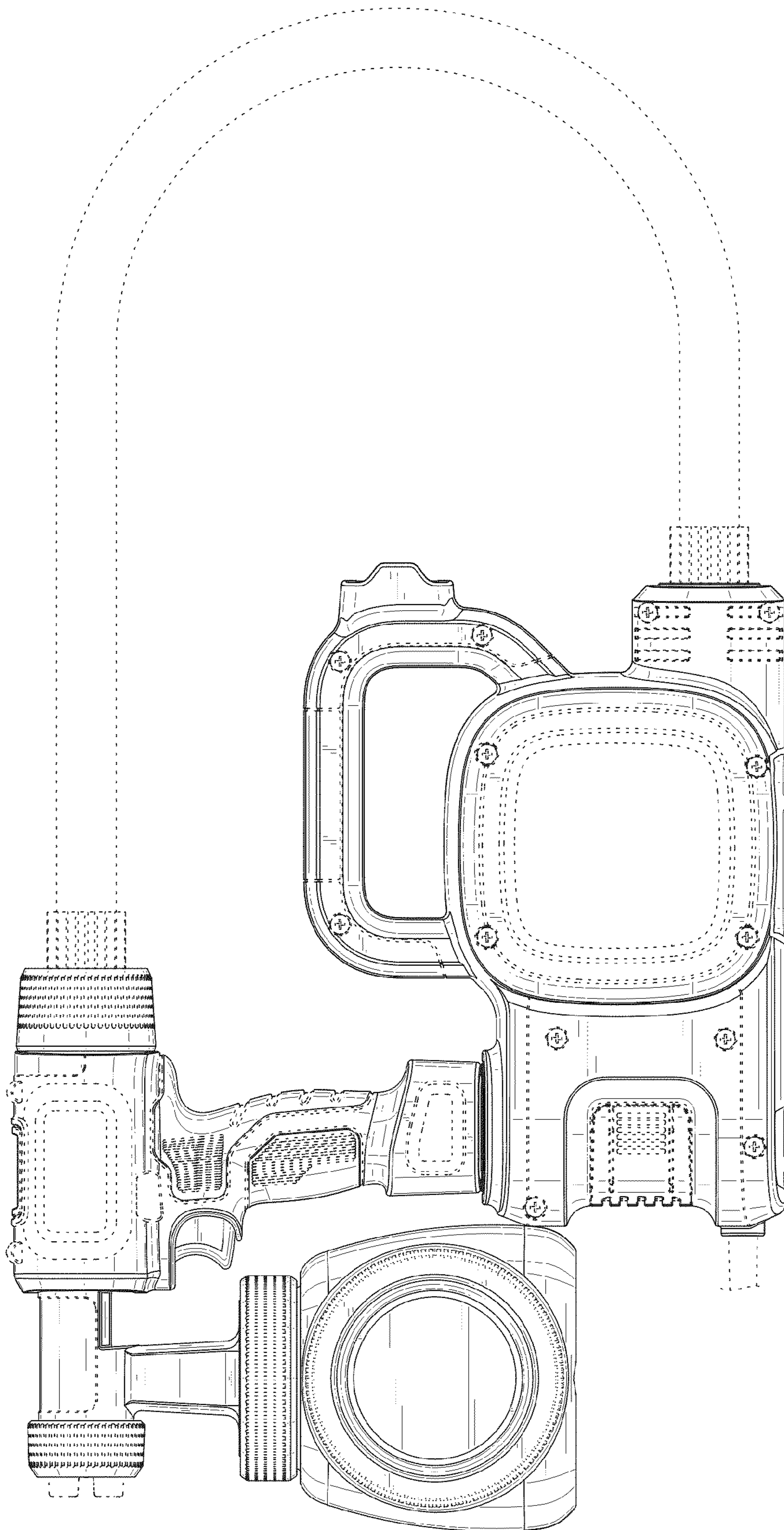


FIG. 5

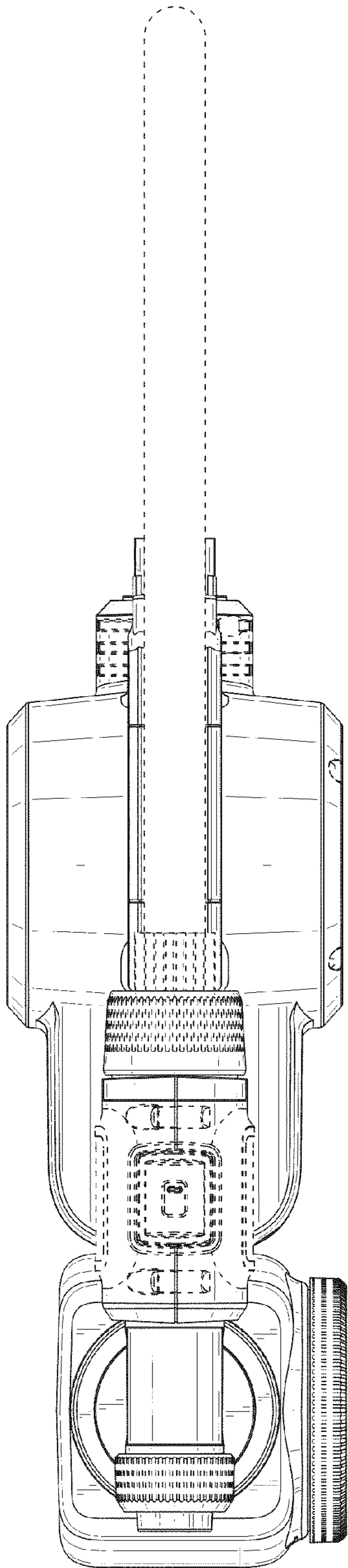


FIG. 6

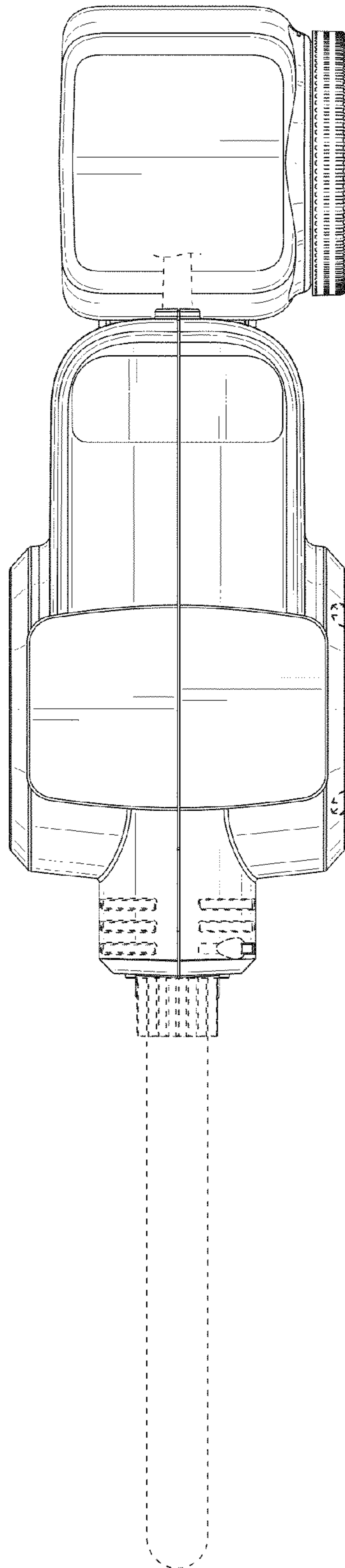


FIG. 7

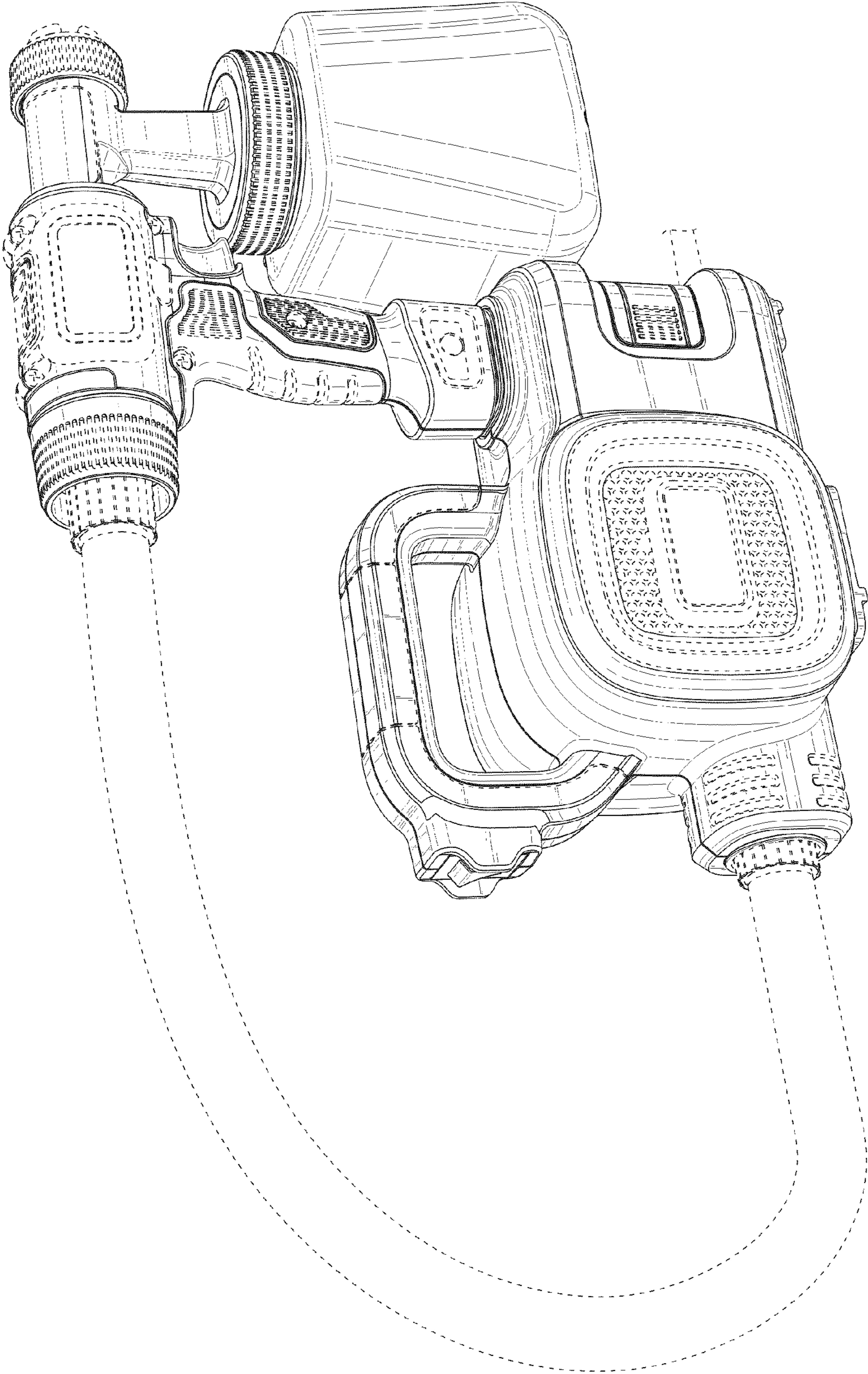


FIG. 8