



US00D645540S

(12) **United States Design Patent**
Fritz

(10) **Patent No.:** **US D645,540 S**

(45) **Date of Patent:** **** Sep. 20, 2011**

(54) **SHOWERHEAD**

(75) Inventor: **Seth Fritz**, Carmel, IN (US)

(73) Assignee: **Masco Corporation of Indiana**,
Indianapolis, IN (US)

(**) Term: **14 Years**

(21) Appl. No.: **29/384,034**

(22) Filed: **Jan. 26, 2011**

(51) **LOC (9) Cl.** **23-01**

(52) **U.S. Cl.** **D23/213**

(58) **Field of Classification Search** D23/213,
D23/223, 229–230; 239/282–283, 460; 4/615
See application file for complete search history.

(56) **References Cited**

U.S. PATENT DOCUMENTS

D514,197 S *	1/2006	Gilbert	D23/229
7,077,342 B2 *	7/2006	Lee	239/589
D531,261 S *	10/2006	Tse	D23/213
D555,769 S *	11/2007	Lee	D23/229

D556,295 S *	11/2007	Genord et al.	D23/229
D587,339 S *	2/2009	Schoenherr et al.	D23/213
D619,680 S *	7/2010	Lee	D23/229

* cited by examiner

Primary Examiner — Robin V Webster

(74) *Attorney, Agent, or Firm* — Edgar A. Zarins; Nirav D. Parikh

(57) **CLAIM**

The ornamental design for a showerhead, as shown and described.

DESCRIPTION

FIG. 1 is a top perspective view of a showerhead showing my new design;

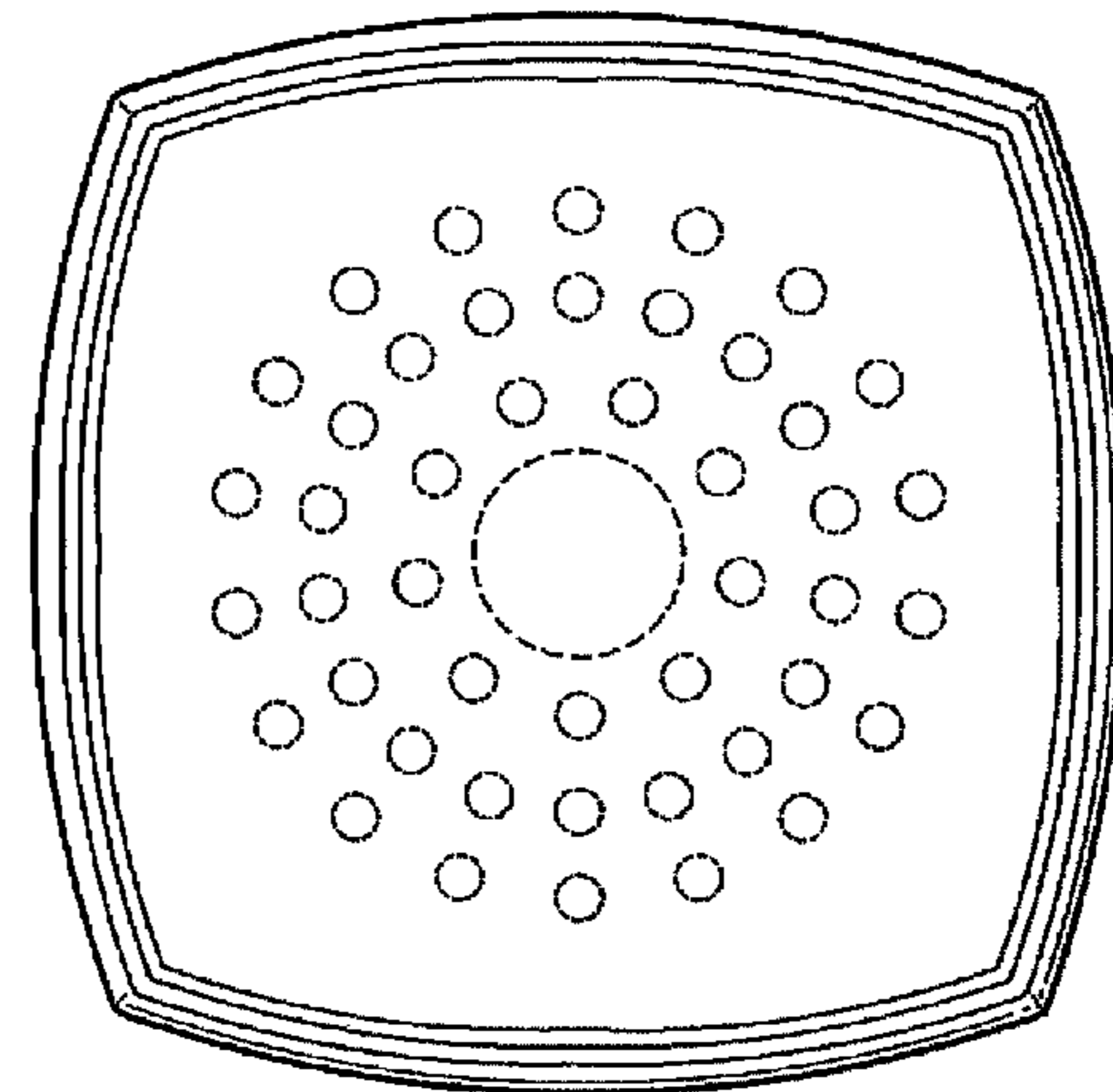
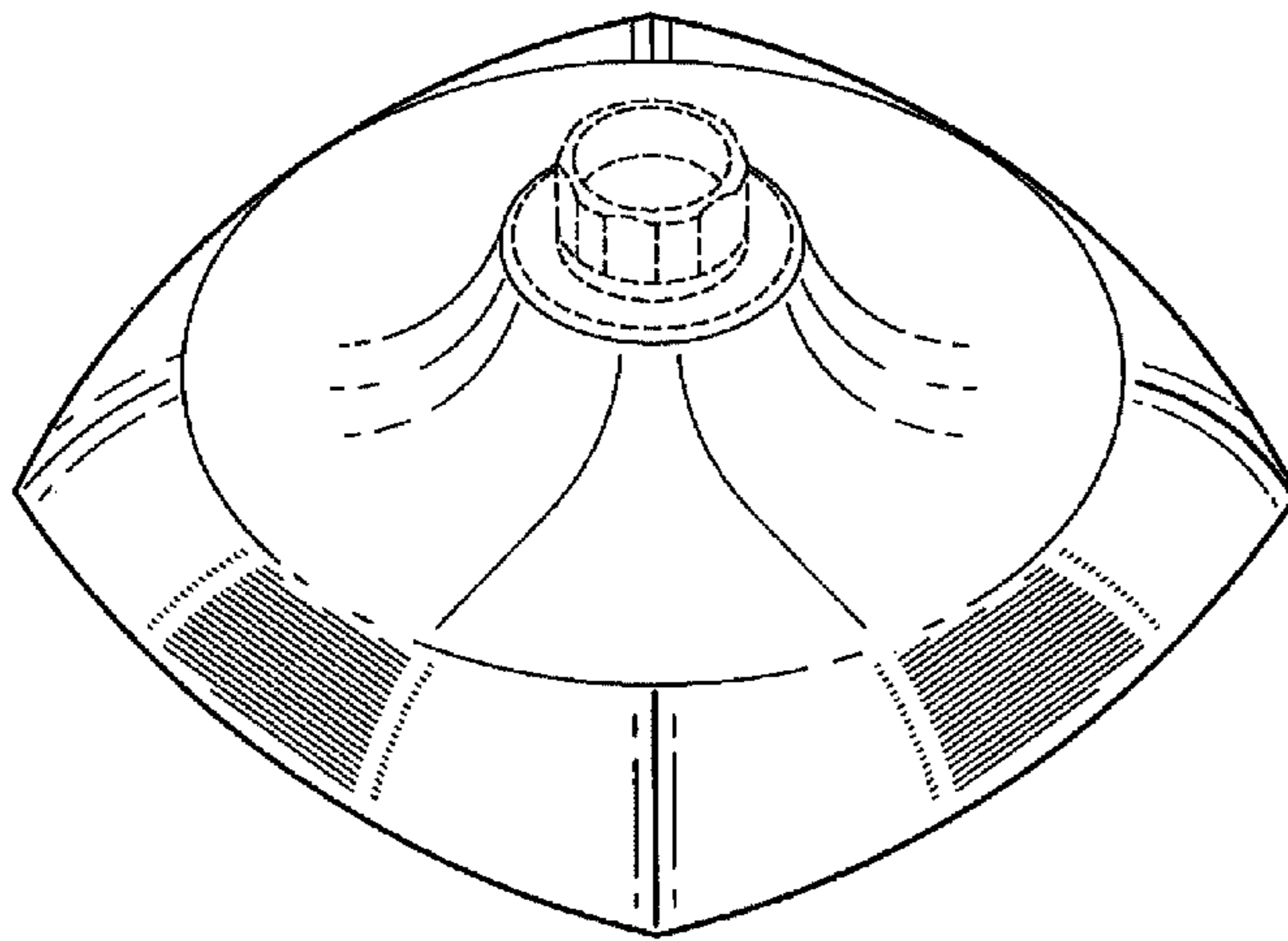
FIG. 2 is a top plan view thereof;

FIG. 3 is a bottom view thereof; and,

FIG. 4 is a side view thereof, the other sides being a mirror image of the side shown.

The broken line showing of the face and rear attachment is included for the purpose of illustrating and forms no part of the claimed design.

1 Claim, 2 Drawing Sheets



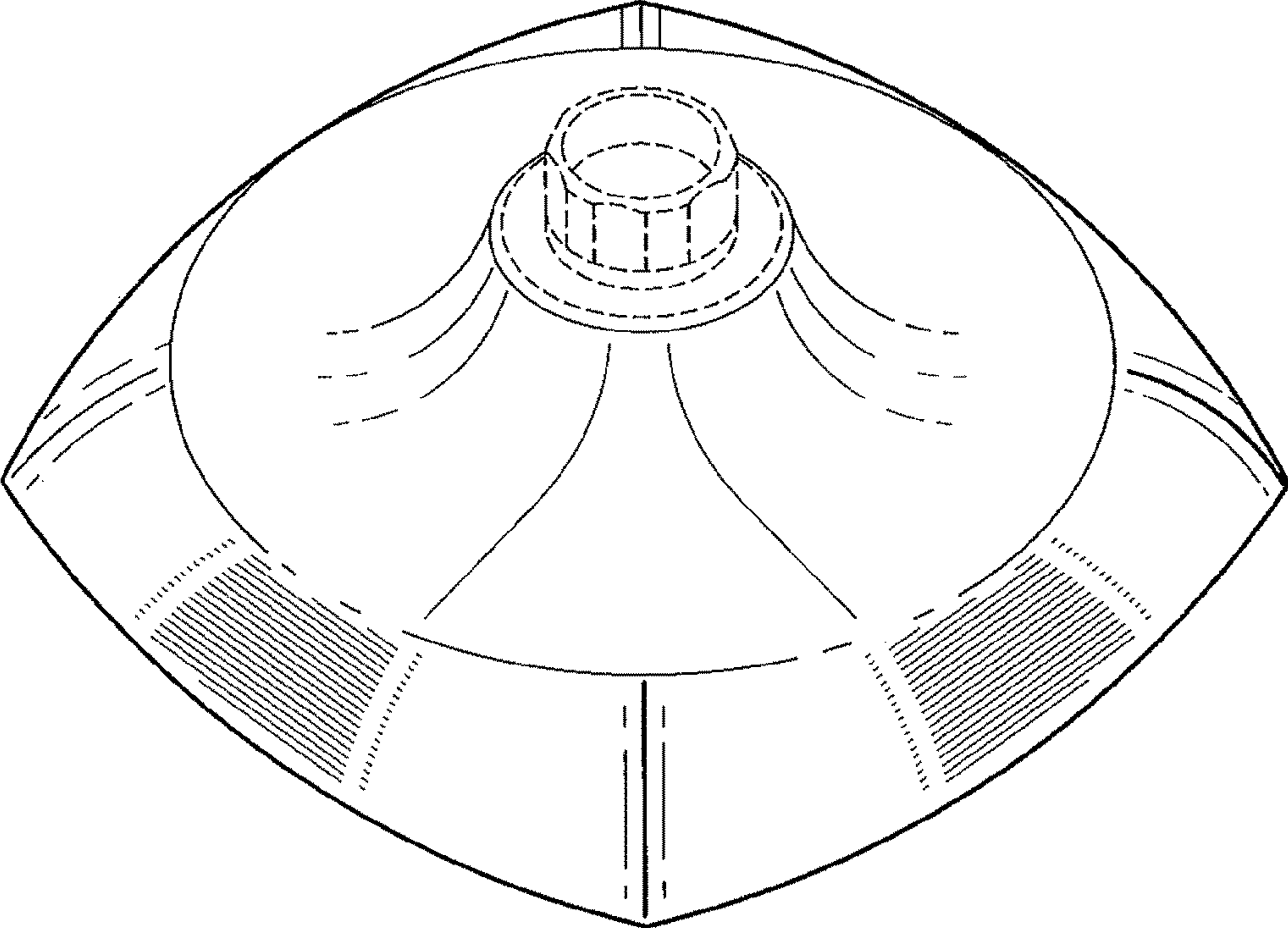


Fig-1

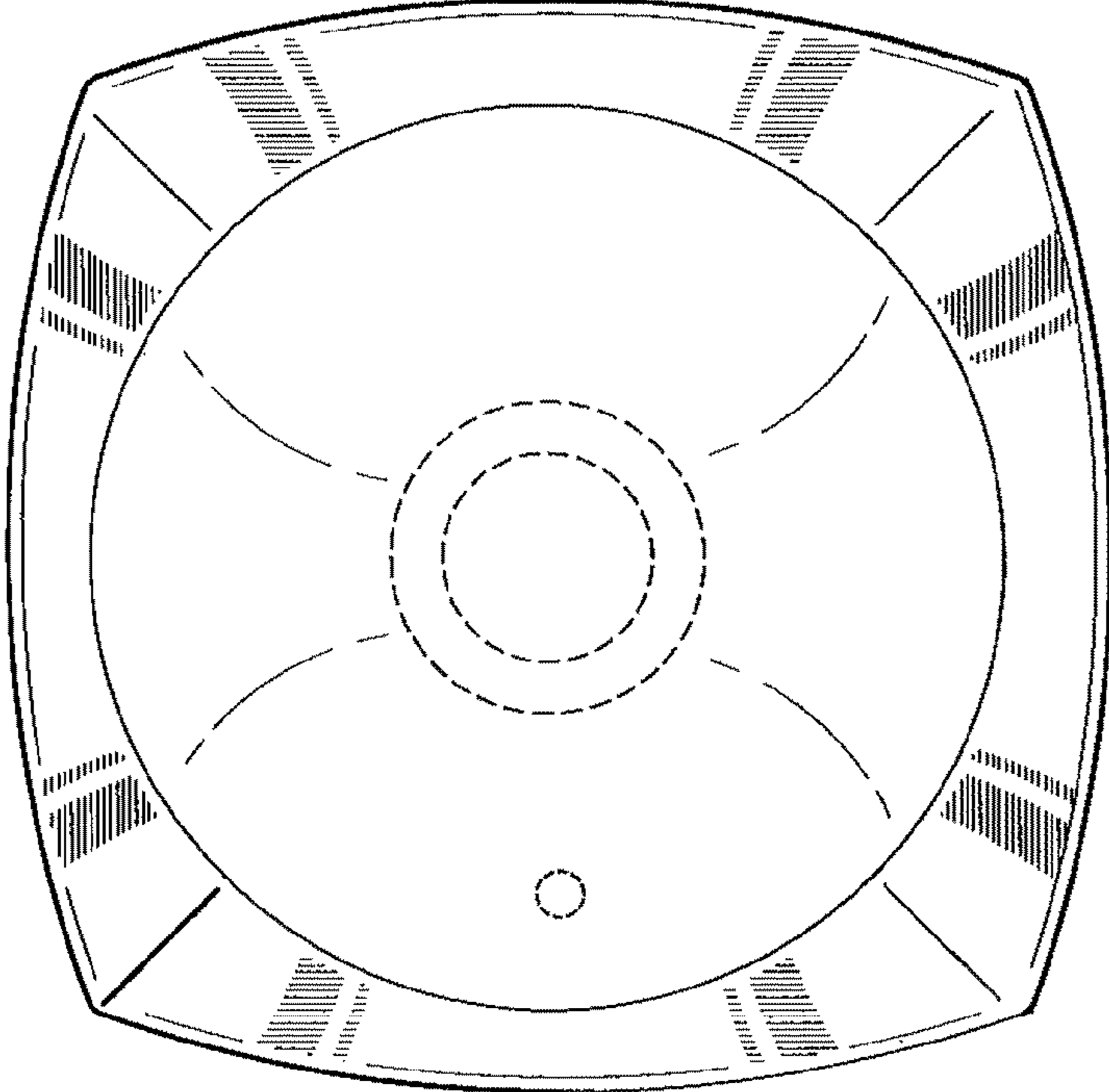


Fig-2

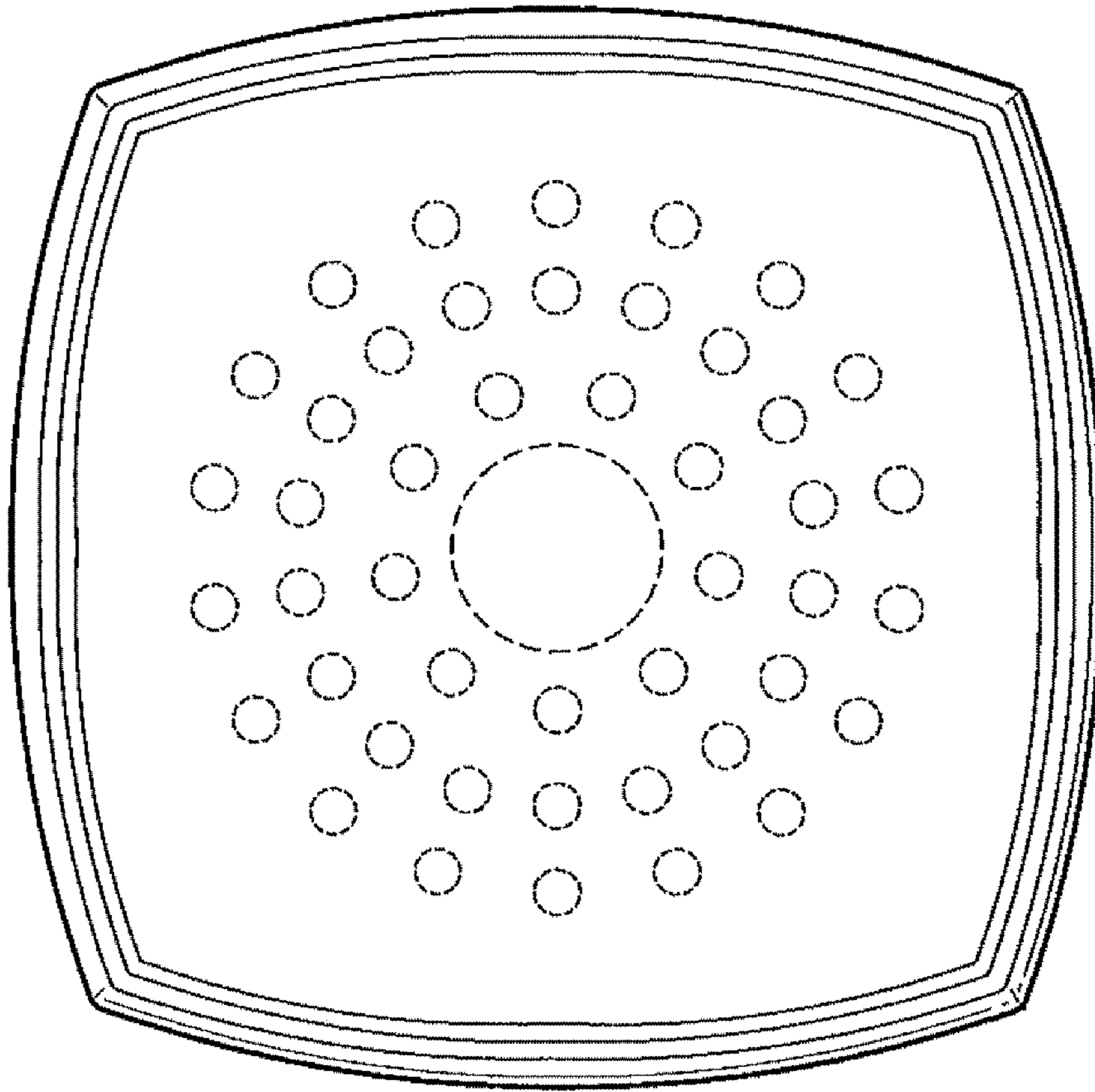


Fig-3

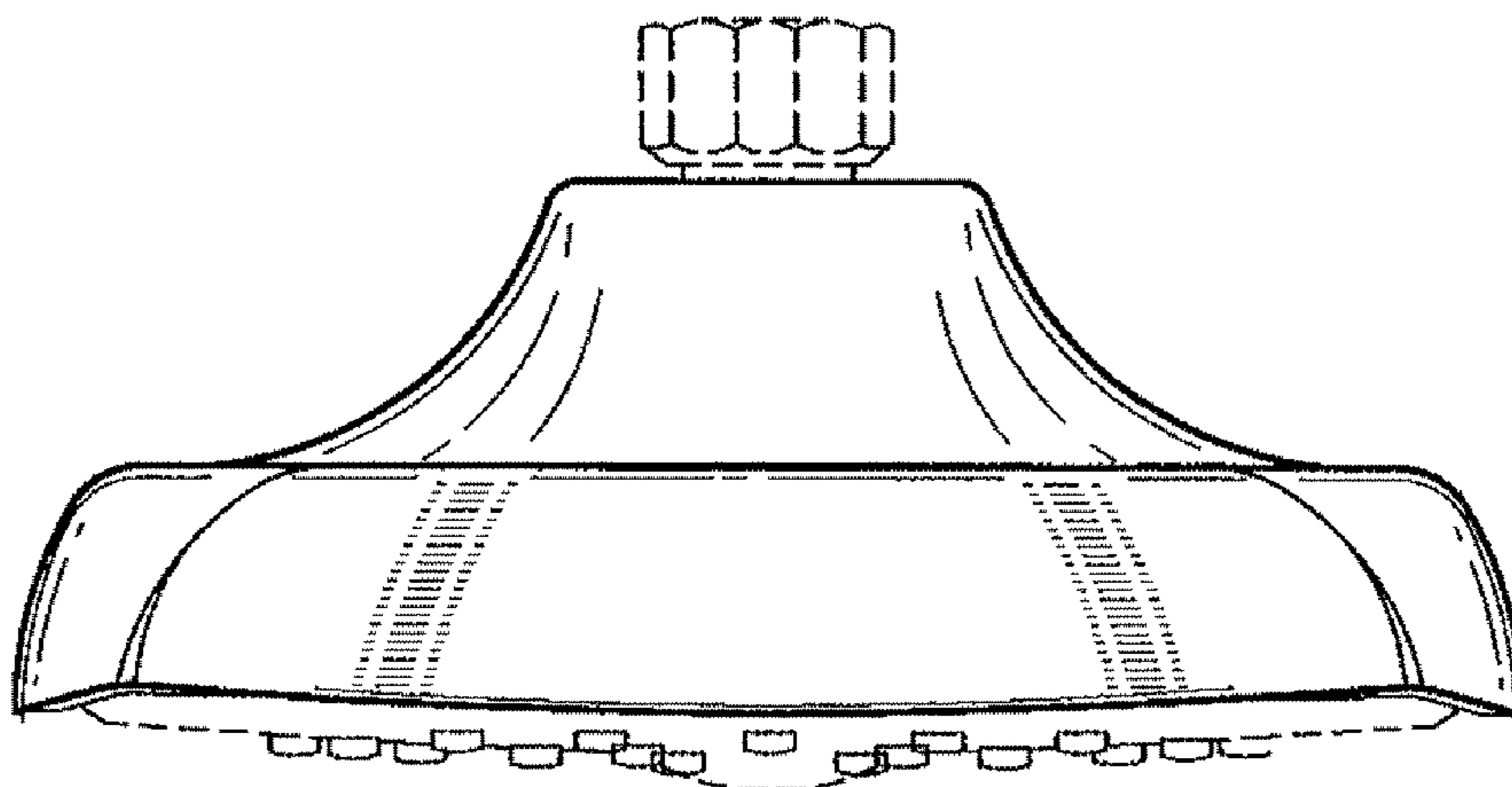


Fig-4