



US00D645535S

(12) **United States Design Patent**  
**Schneidmiller et al.**

(10) **Patent No.:** **US D645,535 S**

(45) **Date of Patent:** **\*\* Sep. 20, 2011**

(54) **BUG TRAP**

(56) **References Cited**

(75) Inventors: **Rodney G. Schneidmiller**, Greenacres,  
WA (US); **Qing-He Zhang**, Spokane  
Valley, WA (US); **Marc Chapin**,  
Spokane, WA (US)

U.S. PATENT DOCUMENTS

5,392,560 A \* 2/1995 Donahue et al. .... 43/122  
D544,065 S \* 6/2007 MacQueen ..... D22/122  
D561,297 S \* 2/2008 Schneidmiller ..... D22/122  
D590,041 S \* 4/2009 Schneidmiller et al. .... D22/122

\* cited by examiner

(73) Assignee: **Sterling International Inc.**, Spokane,  
WA (US)

*Primary Examiner* — Catheri Oliver

(74) *Attorney, Agent, or Firm* — Christensen O'Connor  
Johnson Kindness PLLC

(\*\*) Term: **14 Years**

(57) **CLAIM**

The ornamental design for a bug trap, as shown and described.

(21) Appl. No.: **29/383,484**

**DESCRIPTION**

(22) Filed: **Jan. 18, 2011**

FIG. 1 is a perspective view of a bug trap according to the  
present invention;

(51) **LOC (9) Cl.** ..... **22-06**

FIG. 2 is a front view of the bug trap shown in FIG. 1;

(52) **U.S. Cl.** ..... **D22/122**

FIG. 3 is a rear view of the bug trap shown in FIG. 1;

(58) **Field of Classification Search** ..... D22/119–124;  
43/85, 88, 90–92, 77–79, 112–113, 121,  
43/124, 131, 132.1

FIG. 4 is a left side view of the bug trap shown in FIG. 1;

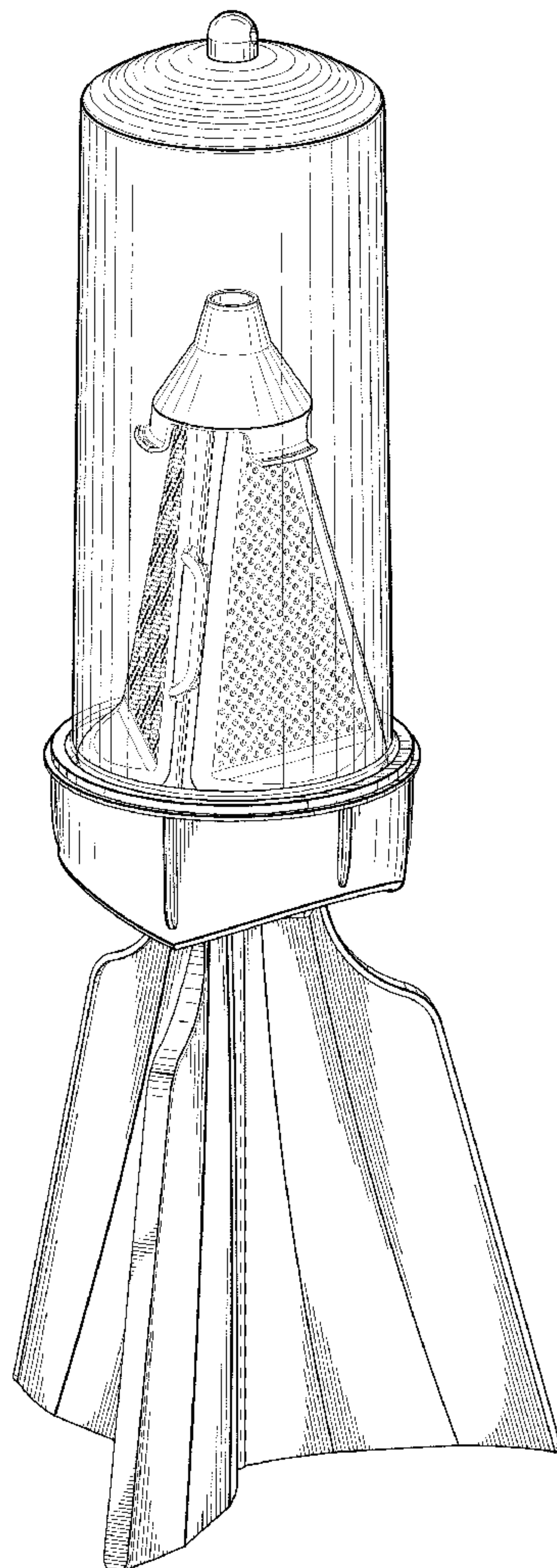
FIG. 5 is a right side view of the bug trap shown in FIG. 1;

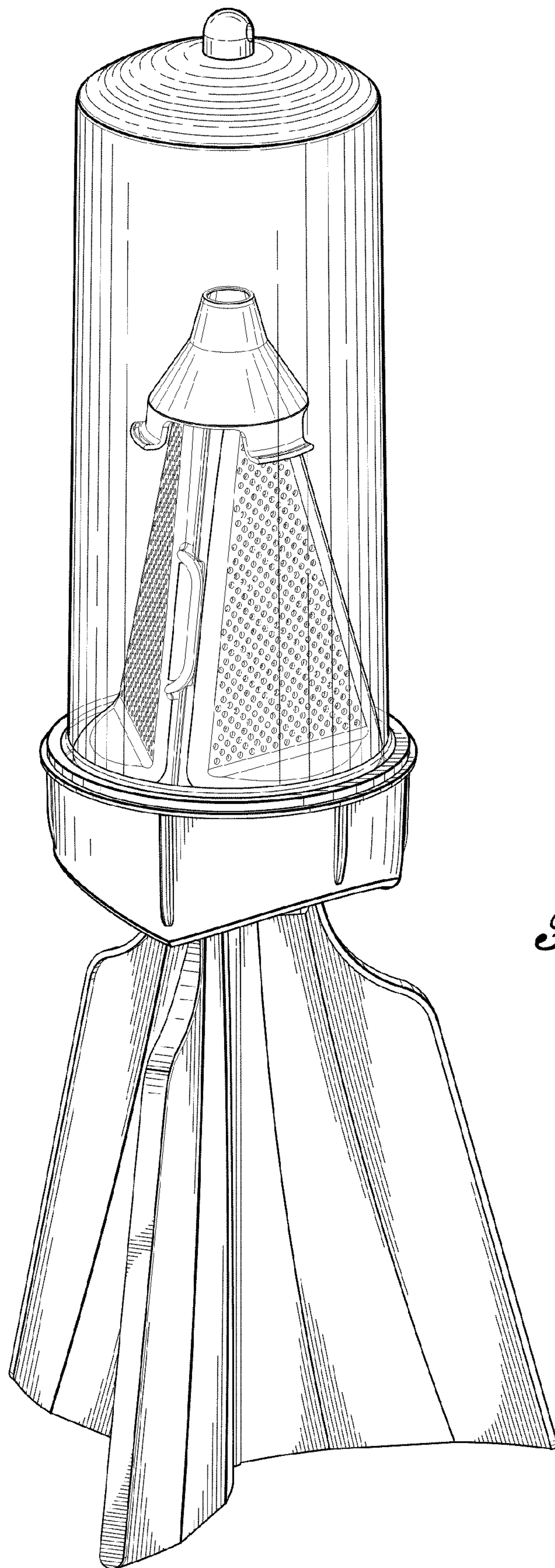
FIG. 6 is a plan view of the bug trap shown in FIG. 1; and,

FIG. 7 is a bottom view of the bug trap shown in FIG. 1.

See application file for complete search history.

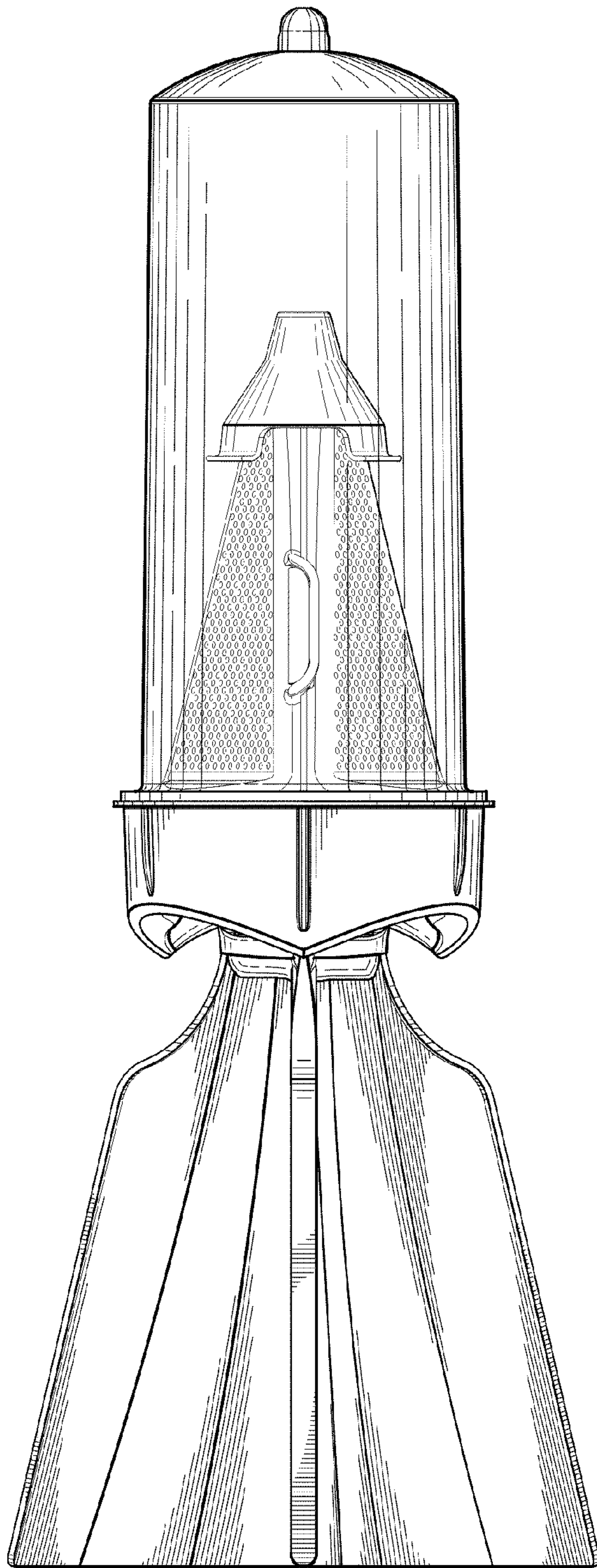
**1 Claim, 4 Drawing Sheets**



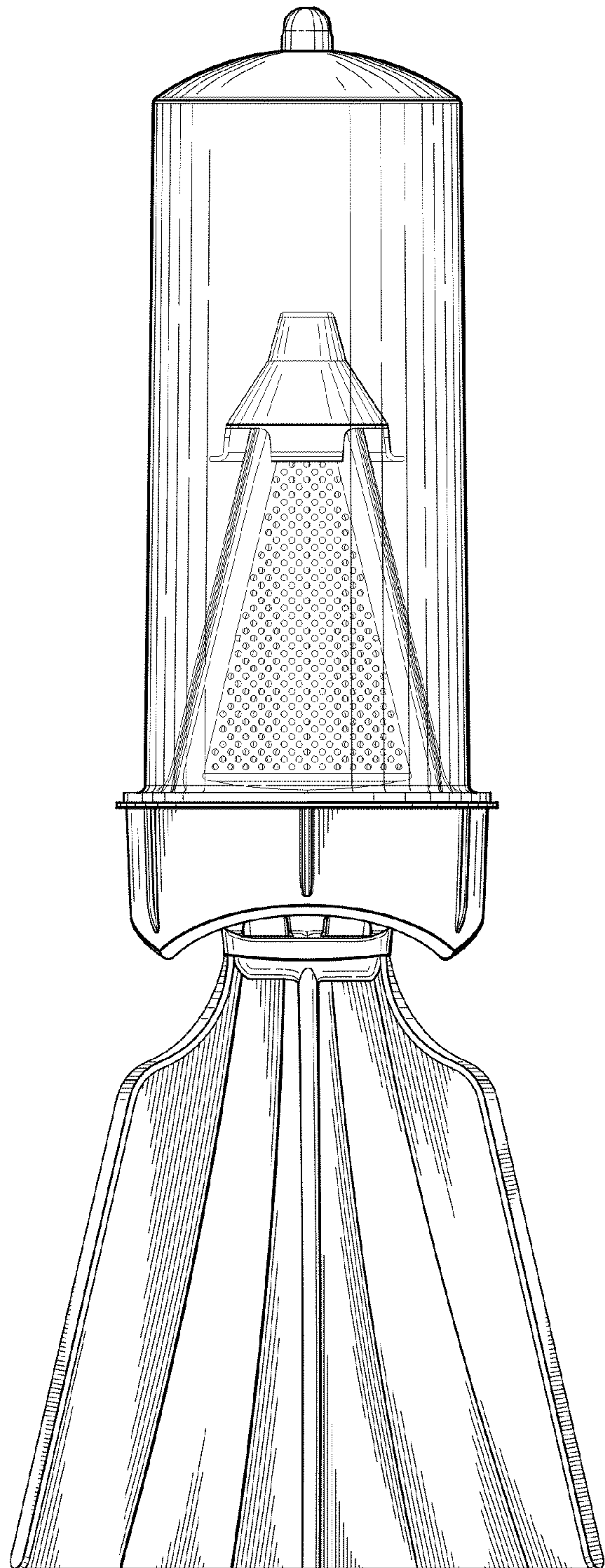


*Fig. 1.*



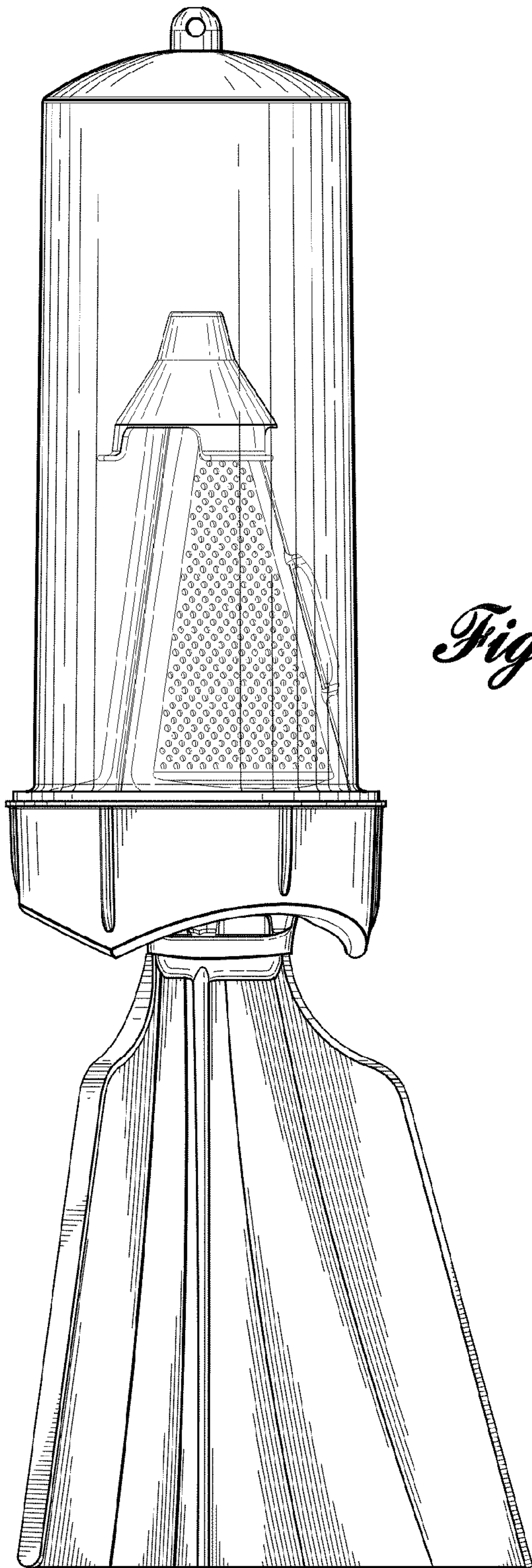


*Fig. 2.*

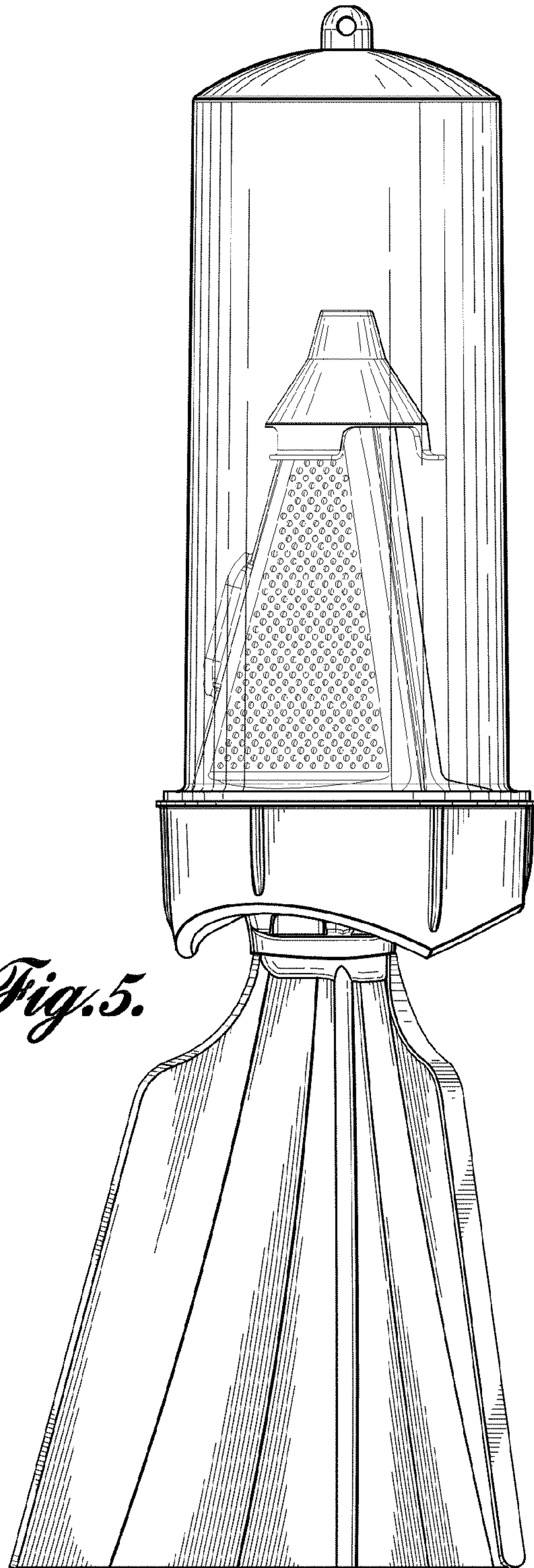


*Fig. 3.*

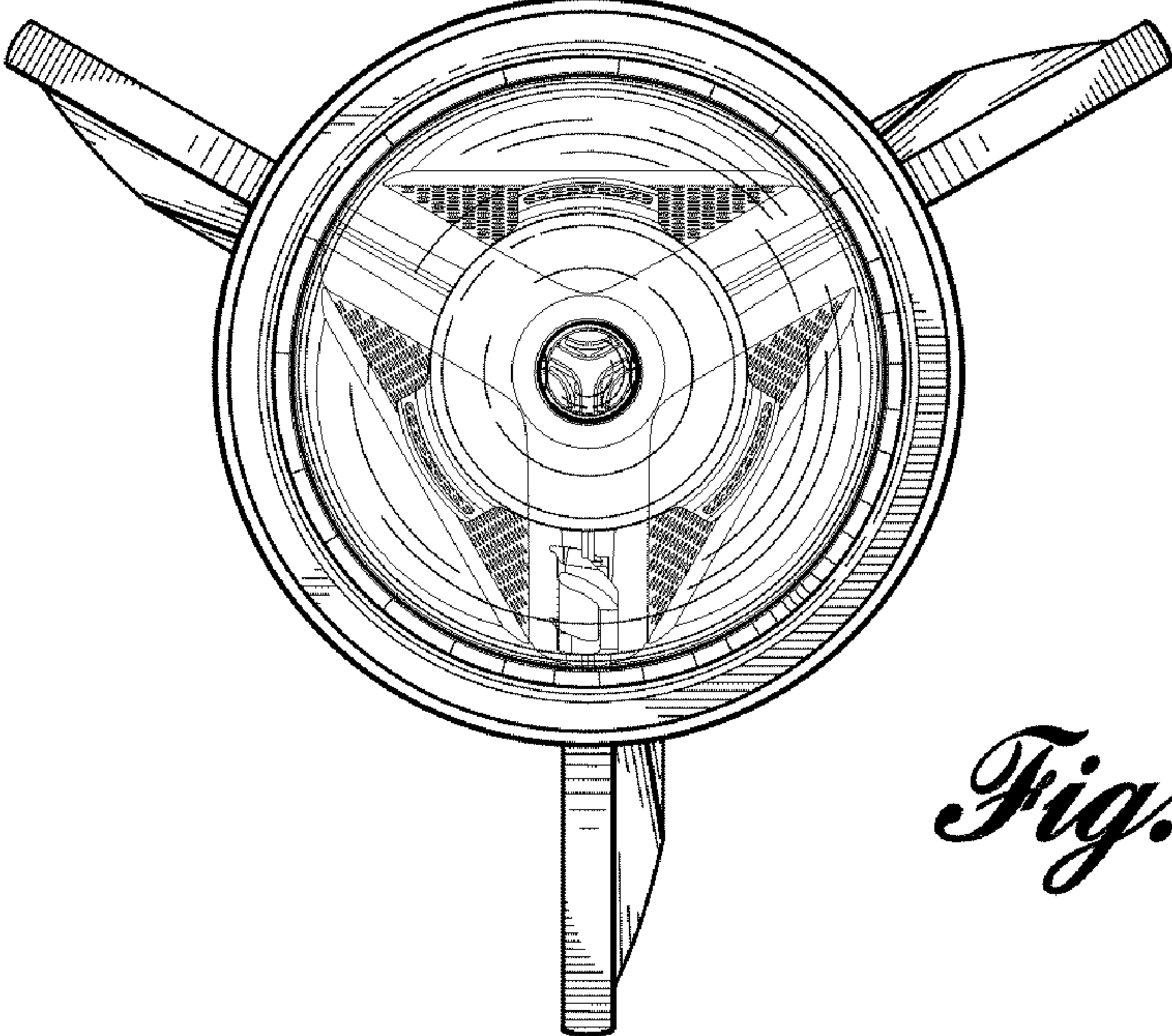




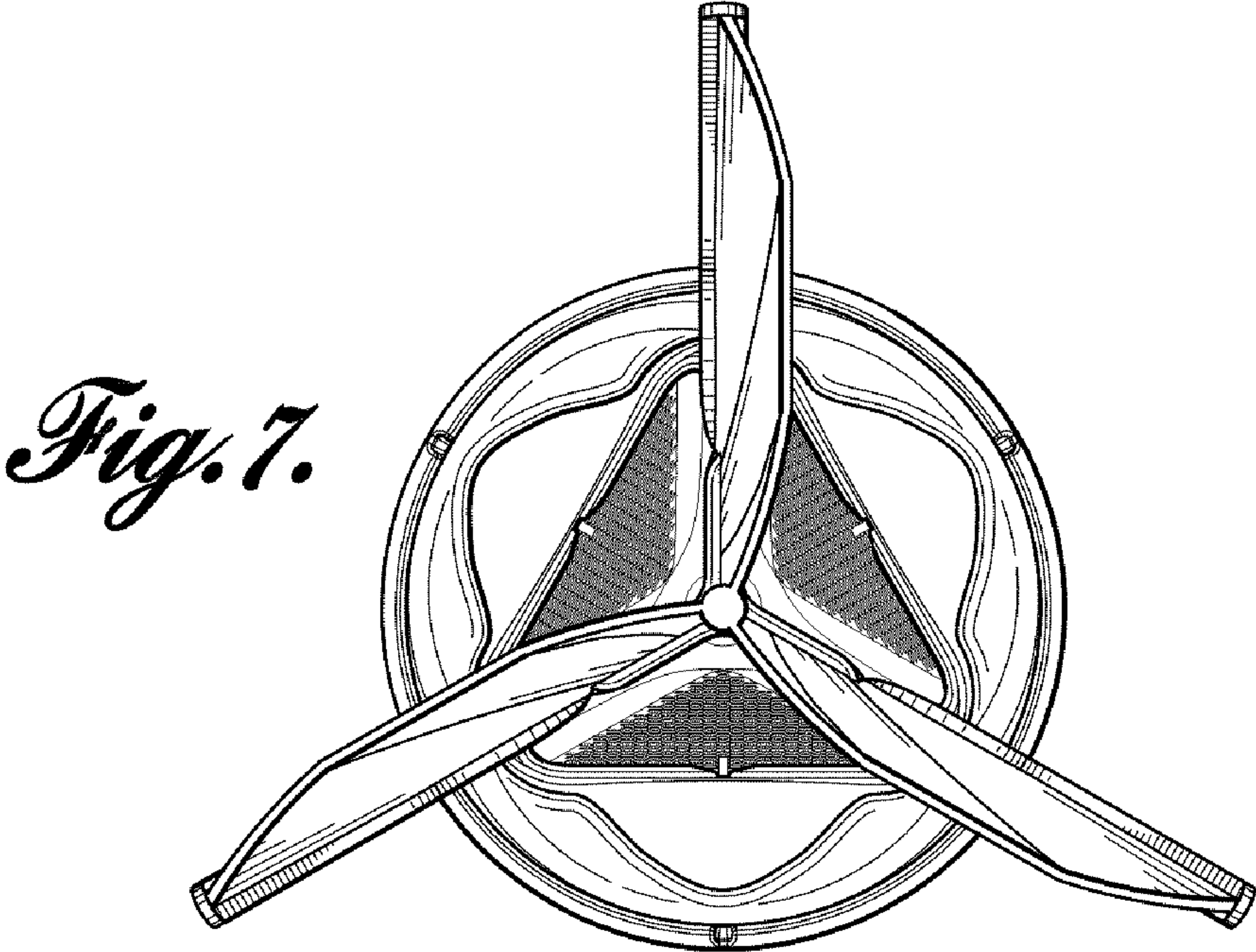
*Fig. 4.*



*Fig. 5.*



*Fig. 6.*



*Fig. 7.*