



US00D645534S

(12) **United States Design Patent**
Schneidmiller et al.

(10) **Patent No.:** **US D645,534 S**

(45) **Date of Patent:** **** Sep. 20, 2011**

(54) **ENTRY STRUCTURE FOR BUG TRAP**

(56) **References Cited**

(75) Inventors: **Rodney G. Schneidmiller**, Greenacres,
WA (US); **Qing-He Zhang**, Spokane
Valley, WA (US); **Marc Chapin**,
Spokane, WA (US)

U.S. PATENT DOCUMENTS

5,392,560	A *	2/1995	Donahue et al.	43/122
D544,065	S *	6/2007	MacQueen	D22/122
D561,297	S *	2/2008	Schneidmiller	D22/122
D590,041	S *	4/2009	Schneidmiller et al.	D22/122

* cited by examiner

(73) Assignee: **Sterling International Inc.**, Spokane,
WA (US)

Primary Examiner — Catheri Oliver

(74) *Attorney, Agent, or Firm* — Christensen O'Connor
Johnson Kindness PLLC

(**) Term: **14 Years**

(57) **CLAIM**

The ornamental design for an entry structure for bug trap, as shown and described.

(21) Appl. No.: **29/383,483**

DESCRIPTION

(22) Filed: **Jan. 18, 2011**

FIG. 1 is a perspective view of a bug trap according to the present invention;

(51) **LOC (9) Cl.** **22-06**

FIG. 2 is a front view of the bug trap shown in FIG. 1;

(52) **U.S. Cl.** **D22/122**

FIG. 3 is a rear view of the bug trap shown in FIG. 1;

(58) **Field of Classification Search** D22/119-124;

FIG. 4 is a left side view of the bug trap shown in FIG. 1;

43/85, 88, 90-92, 77-79, 124, 131, 132.1,

FIG. 5 is a right side view of the bug trap shown in FIG. 1;

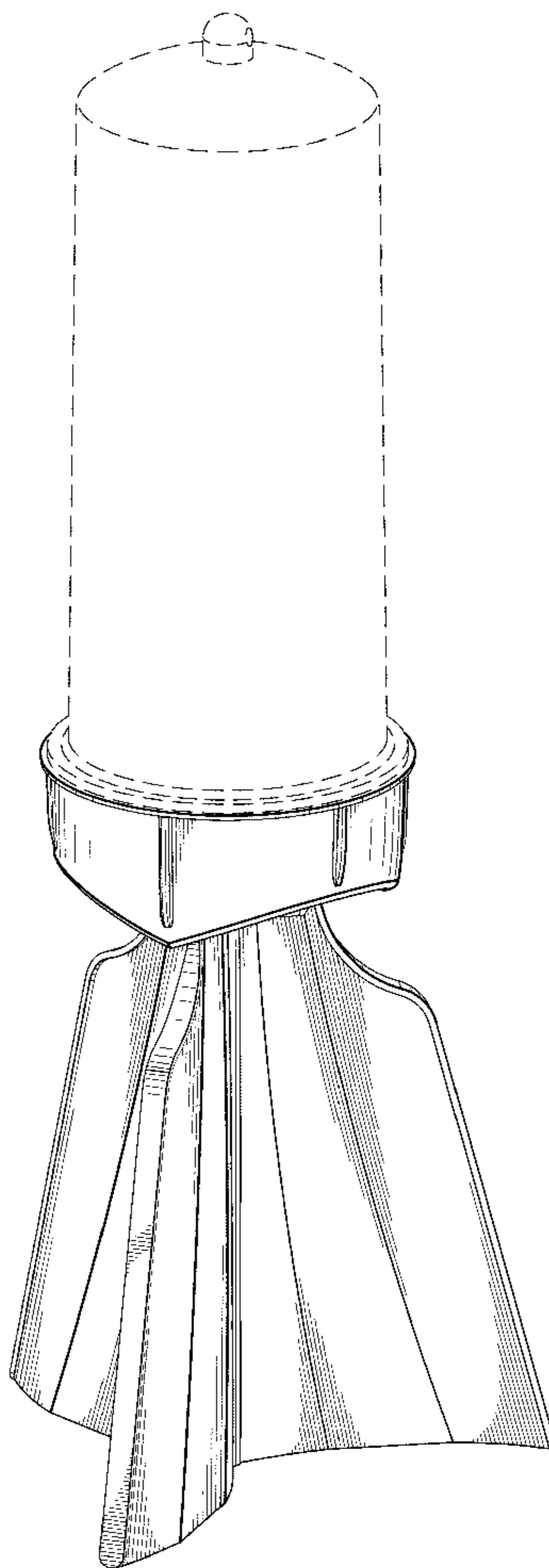
43/112-113, 121

FIG. 6 is a plan view of the bug trap shown in FIG. 1; and,

FIG. 7 is a bottom view of the bug trap shown in FIG. 1.

See application file for complete search history.

1 Claim, 4 Drawing Sheets



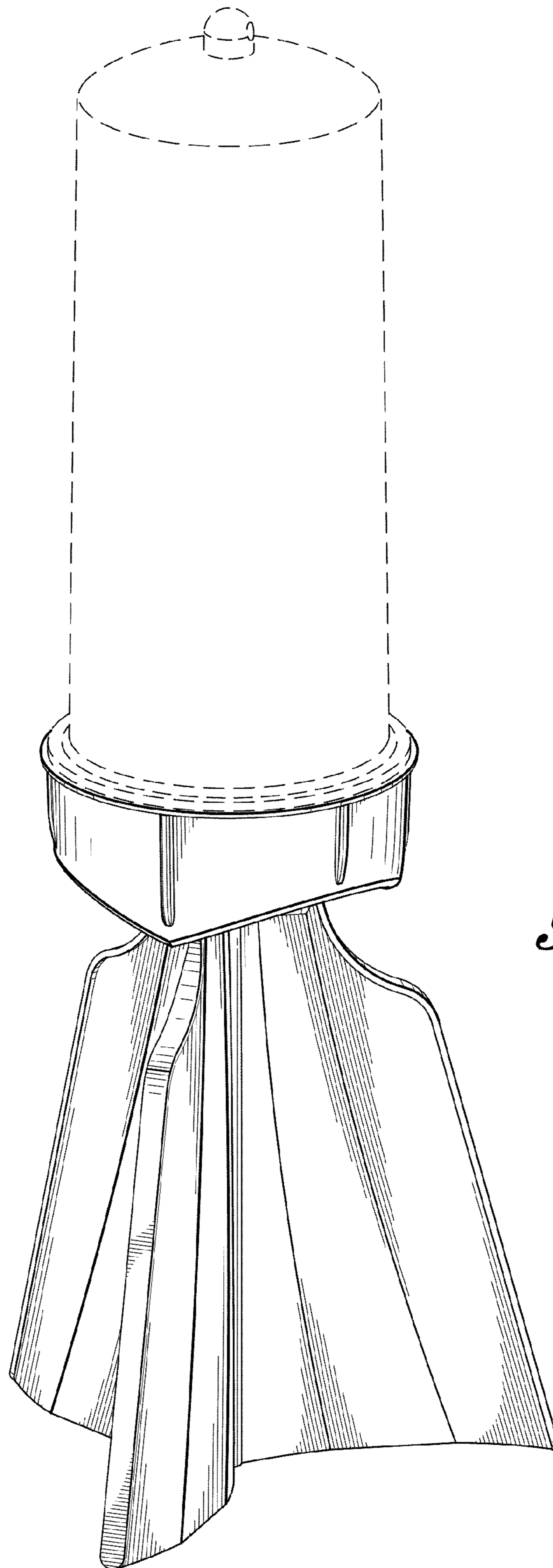


Fig. 1.

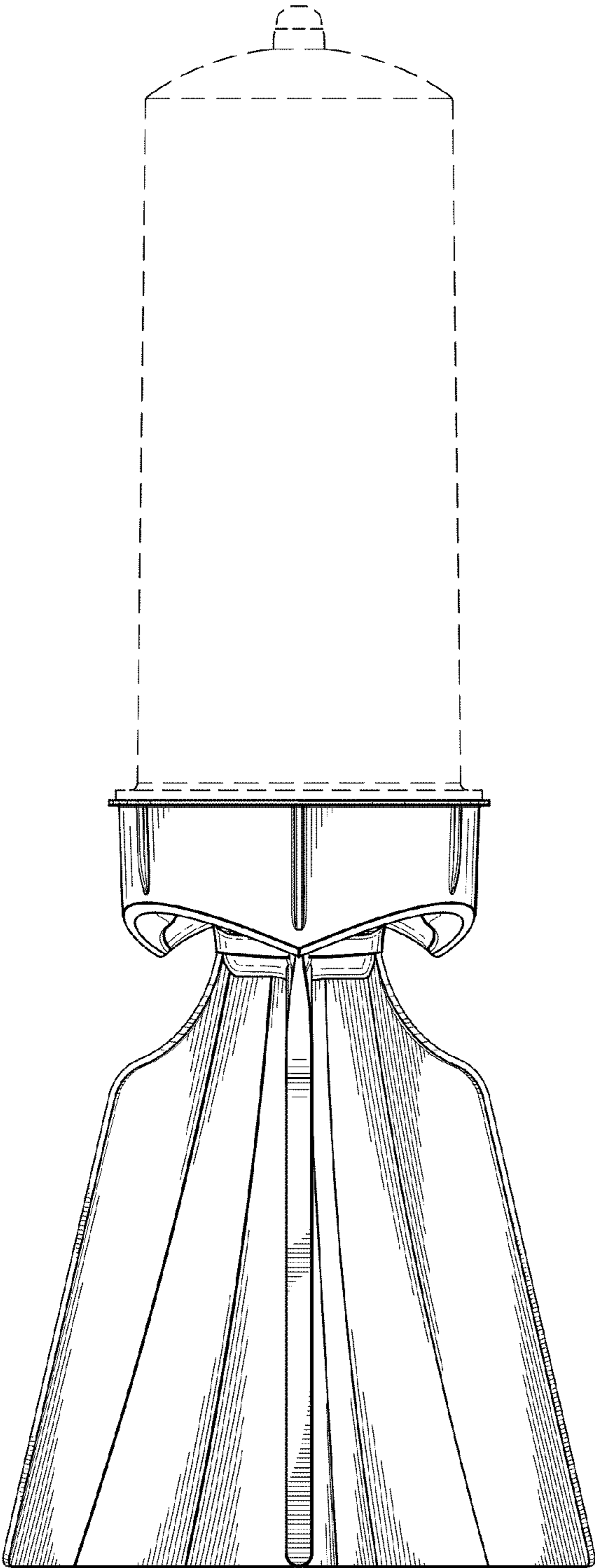


Fig. 2.

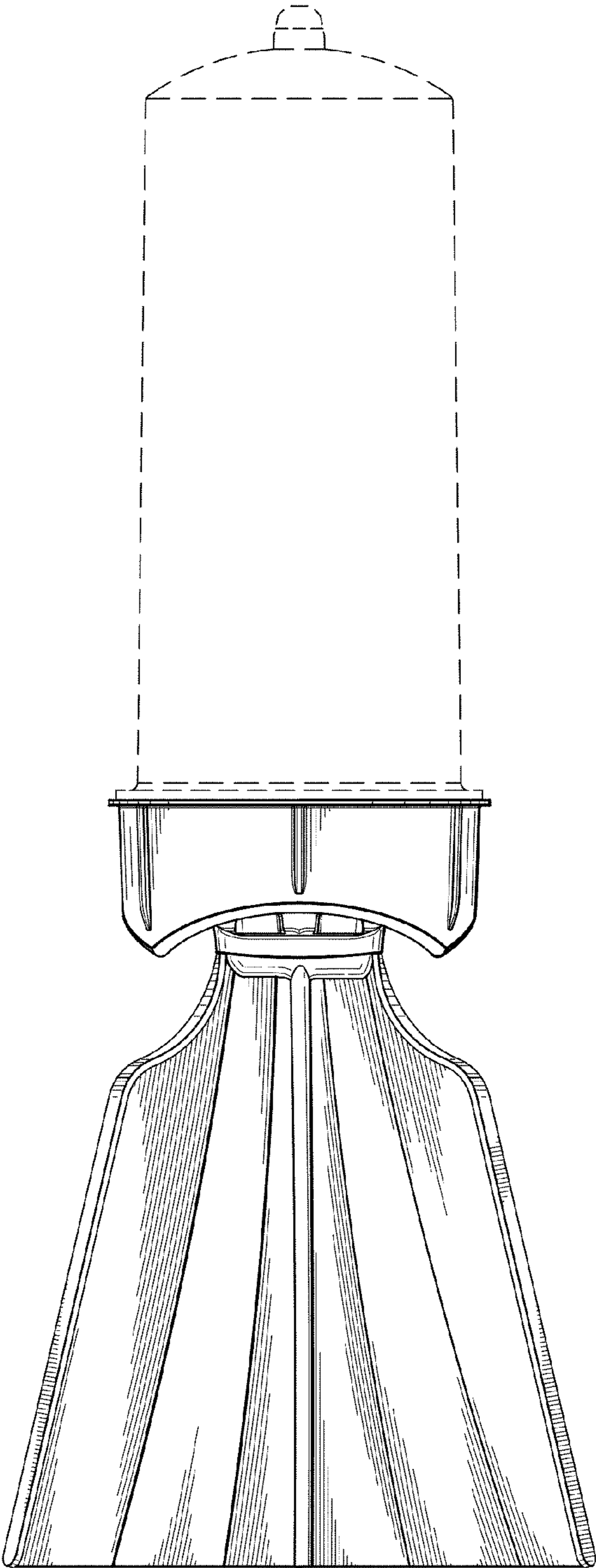


Fig. 3.

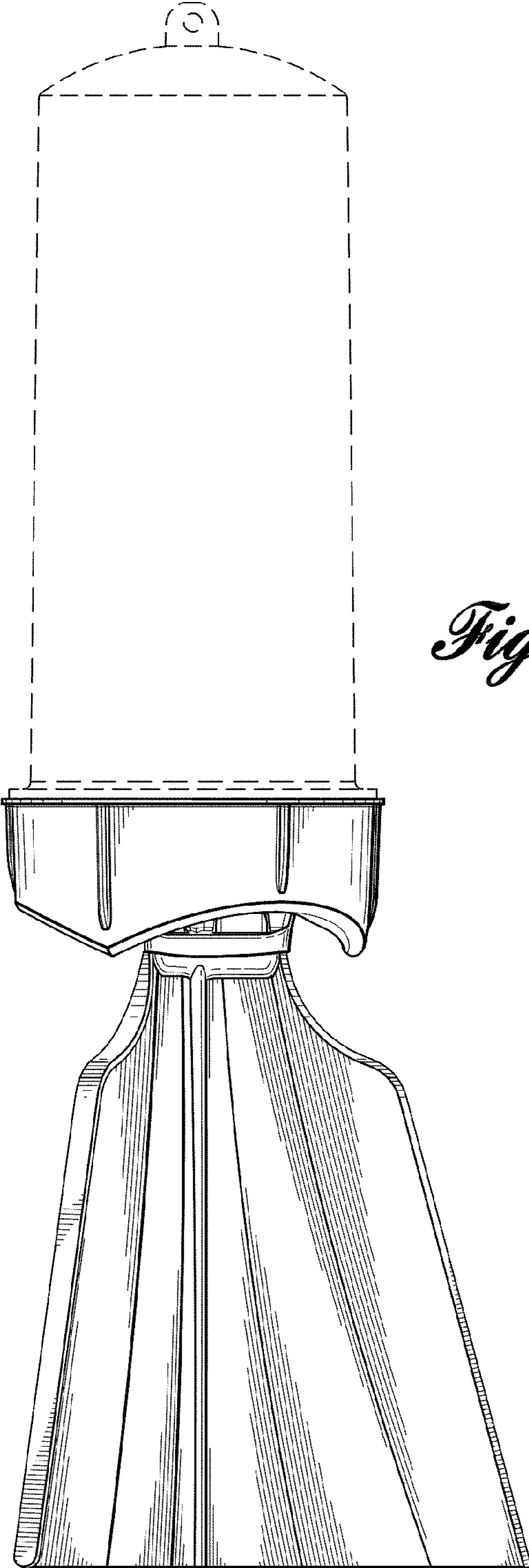


Fig. 4.

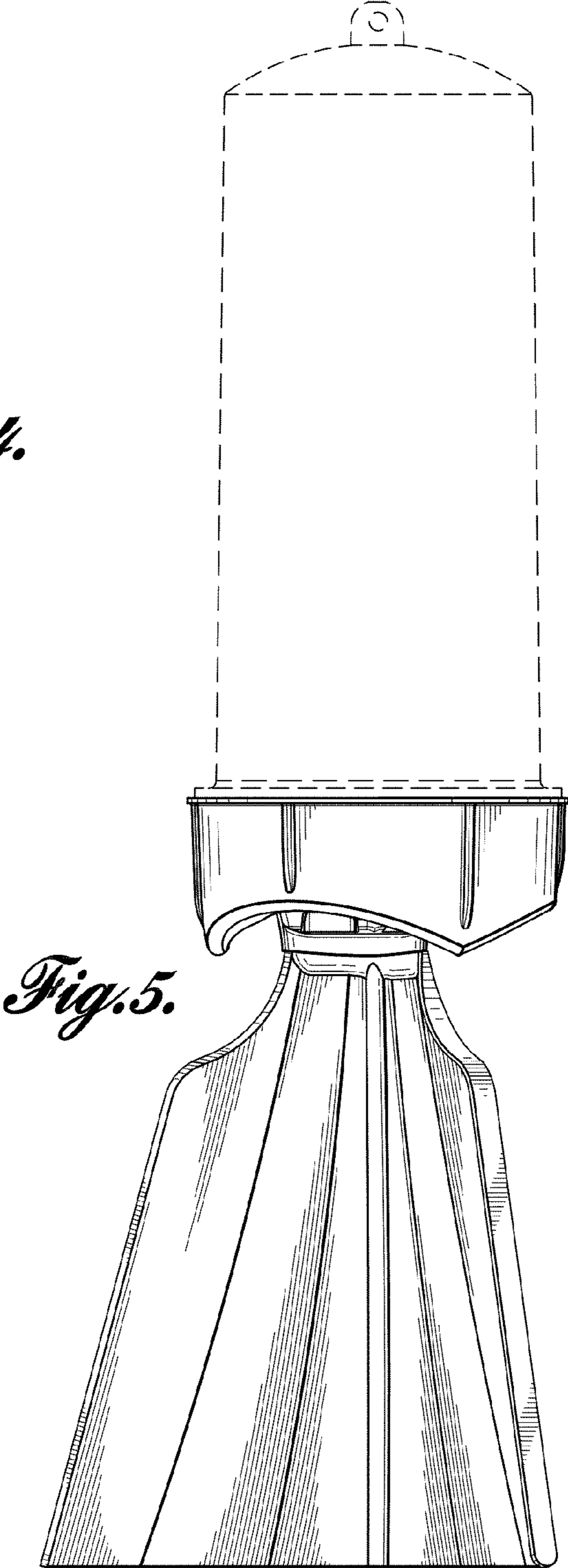


Fig. 5.

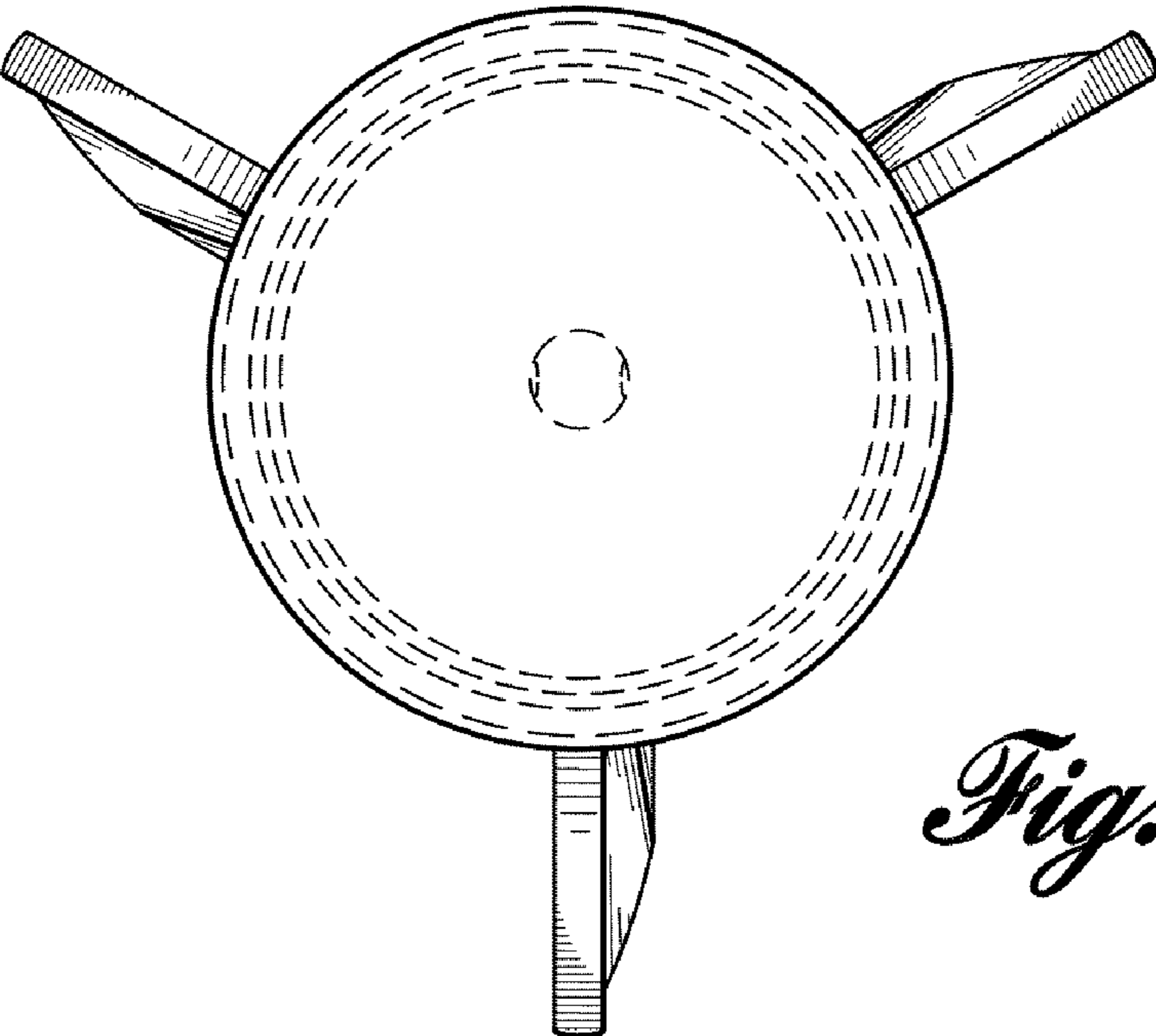


Fig. 6.

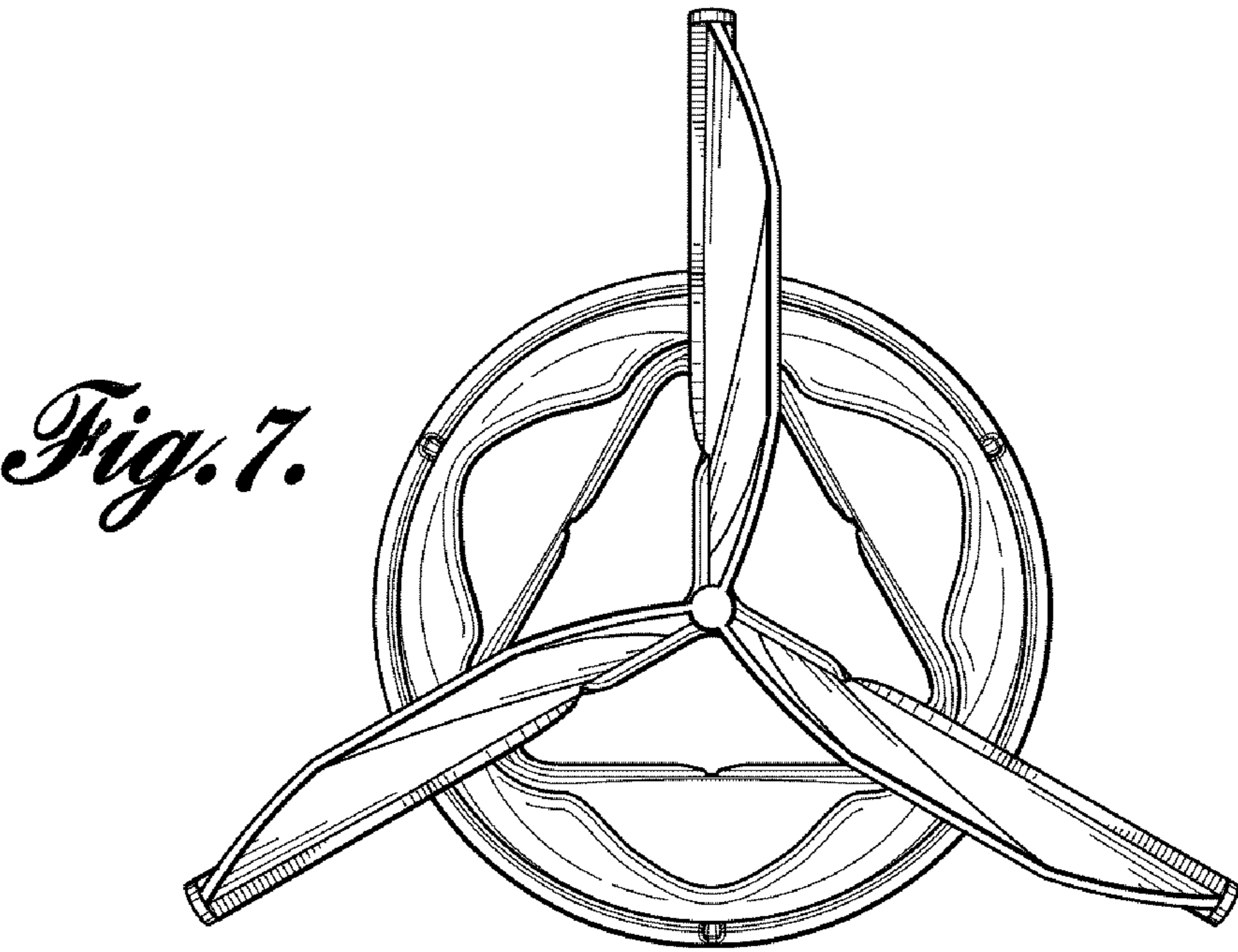


Fig. 7.