



US00D645532S

(12) **United States Design Patent**
Peterson et al.

(10) **Patent No.:** **US D645,532 S**
(45) **Date of Patent:** **** Sep. 20, 2011**

(54) **MODULAR, ADJUSTABLE TACTICAL FIREARM SYSTEM**

(75) Inventors: **Morris Peterson**, Earlysville, VA (US);
Matthew Peterson, Crozet, VA (US);
Gary Vance, Bristol, VA (US); **William McCormick**, Bluff City, TN (US);
Charles Robert Overbey, Jr., Deland, FL (US)

(73) Assignee: **Ashbury International Group, Inc.**, Ruckersville, VA (US)

(**) Term: **14 Years**

(21) Appl. No.: **29/367,160**

(22) Filed: **Aug. 4, 2010**

Related U.S. Application Data

(60) Division of application No. 29/340,267, filed on Jul. 15, 2009, now Pat. No. Des. 629,062, which is a continuation of application No. 12/251,384, filed on Oct. 14, 2009.

(51) **LOC (9) Cl.** **22-01**

(52) **U.S. Cl.** **D22/103**

(58) **Field of Classification Search** D22/100, D22/101, 103, 104, 108, 199; D21/572, D21/573; 42/51, 71.01, 75.01, 75.02, 90, 42/94, 134, 136, 139, 125, 72, 111; 362/110; 33/241, 277; 313/105 R; 89/40.06, 41.19, 89/37.04, 33.04, 191.01, 200-204; 124/67, 124/66, 74

See application file for complete search history.

(56) **References Cited**

U.S. PATENT DOCUMENTS

D304,062 S	*	10/1989	Barrett	D22/103
D584,373 S	*	1/2009	Young	D22/103
D604,793 S	*	11/2009	Fitzpatrick et al.	D22/108
D610,218 S	*	2/2010	Barrett	D22/103

* cited by examiner

Primary Examiner — T. Chase Nelson

Assistant Examiner — Michael Pratt

(74) *Attorney, Agent, or Firm* — Troutman Sanders LLP; Robert R. Elliott, Jr.

(57) **CLAIM**

The ornamental design for a modular, adjustable tactical firearm system, as shown and described.

DESCRIPTION

FIG. 1 illustrates a perspective, side view of a new design for a modular, adjustable tactical firearm system depicting a modular, extendable folding buttstock; a modular carbon fiber forend; and a modular lower receiver;

FIG. 2 illustrates a rear cross-sectional view of a new design for a modular, adjustable tactical firearm system depicting a modular, extendable folding buttstock; a modular carbon fiber forend; and a modular lower receiver;

FIG. 3 illustrates a front cross-sectional view of a new design for a modular, adjustable tactical firearm system depicting a modular, extendable folding buttstock; a modular carbon fiber forend; and a modular lower receiver;

FIG. 4 illustrates a side view of a new design for a modular, adjustable tactical firearm system depicting a modular, extendable folding buttstock; a modular carbon fiber forend; and a modular lower receiver;

FIG. 5 illustrates a side view of a new design for a modular, adjustable tactical firearm system depicting a modular, extendable folding buttstock; a modular carbon fiber forend; and a modular lower receiver;

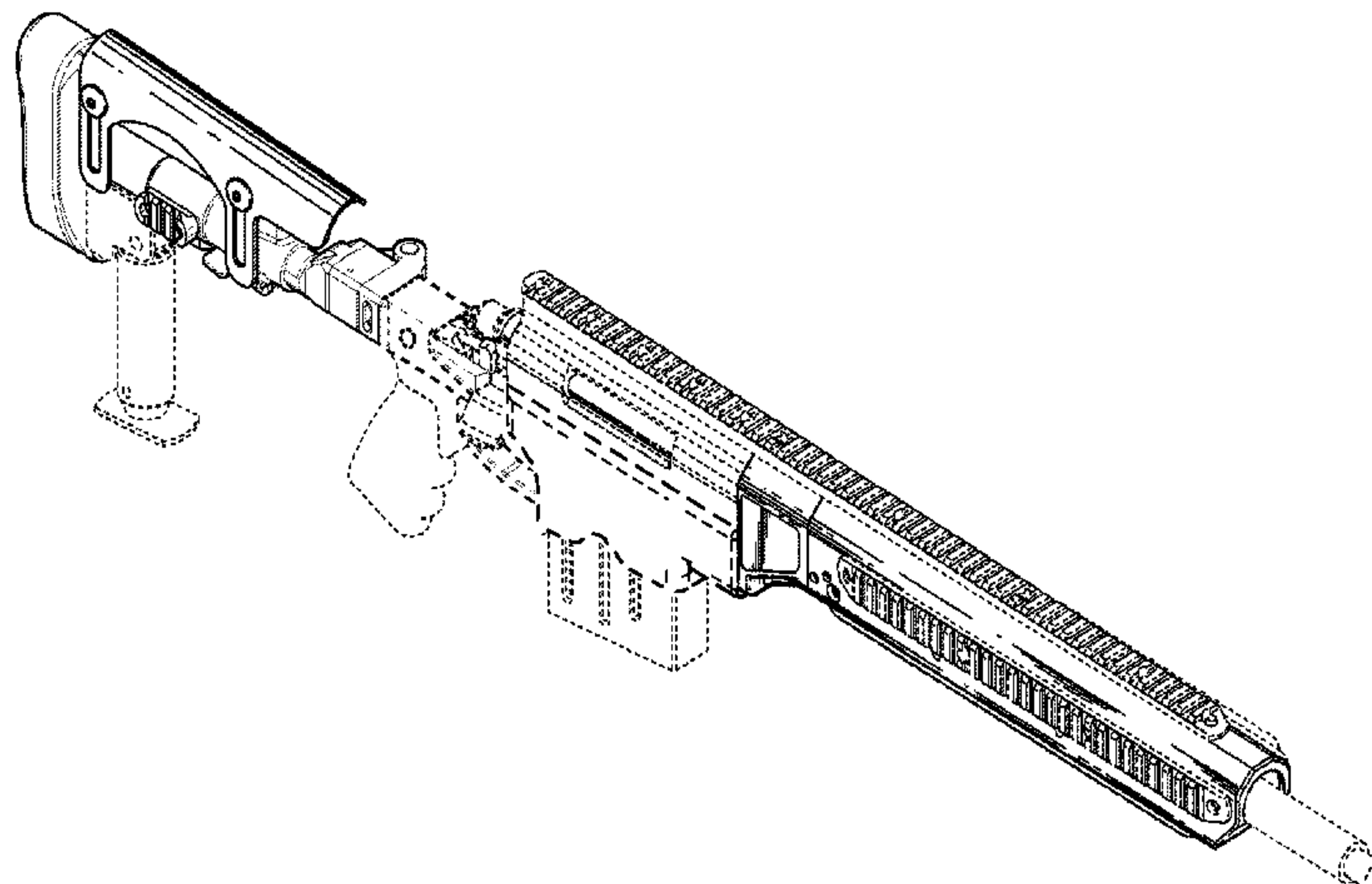
FIG. 6 illustrates a top view of a new design for a modular, adjustable tactical firearm system depicting a modular, extendable folding buttstock; a modular carbon fiber forend; and a modular lower receiver;

FIG. 7 illustrates a bottom view of a new design for a modular, adjustable tactical firearm system depicting a modular, extendable folding buttstock; a modular carbon fiber forend; and a modular lower receiver; and,

FIG. 8 illustrates an exploded, perspective, side view of a new design for a modular, adjustable tactical firearm system depicting a modular, extendable folding buttstock; a modular carbon fiber forend; and a modular lower receiver.

The broken, dashed lines shown in the various figures depicting embodiments of the invention are included for the purpose of illustrating environment and do not form any part of the claimed design.

1 Claim, 5 Drawing Sheets



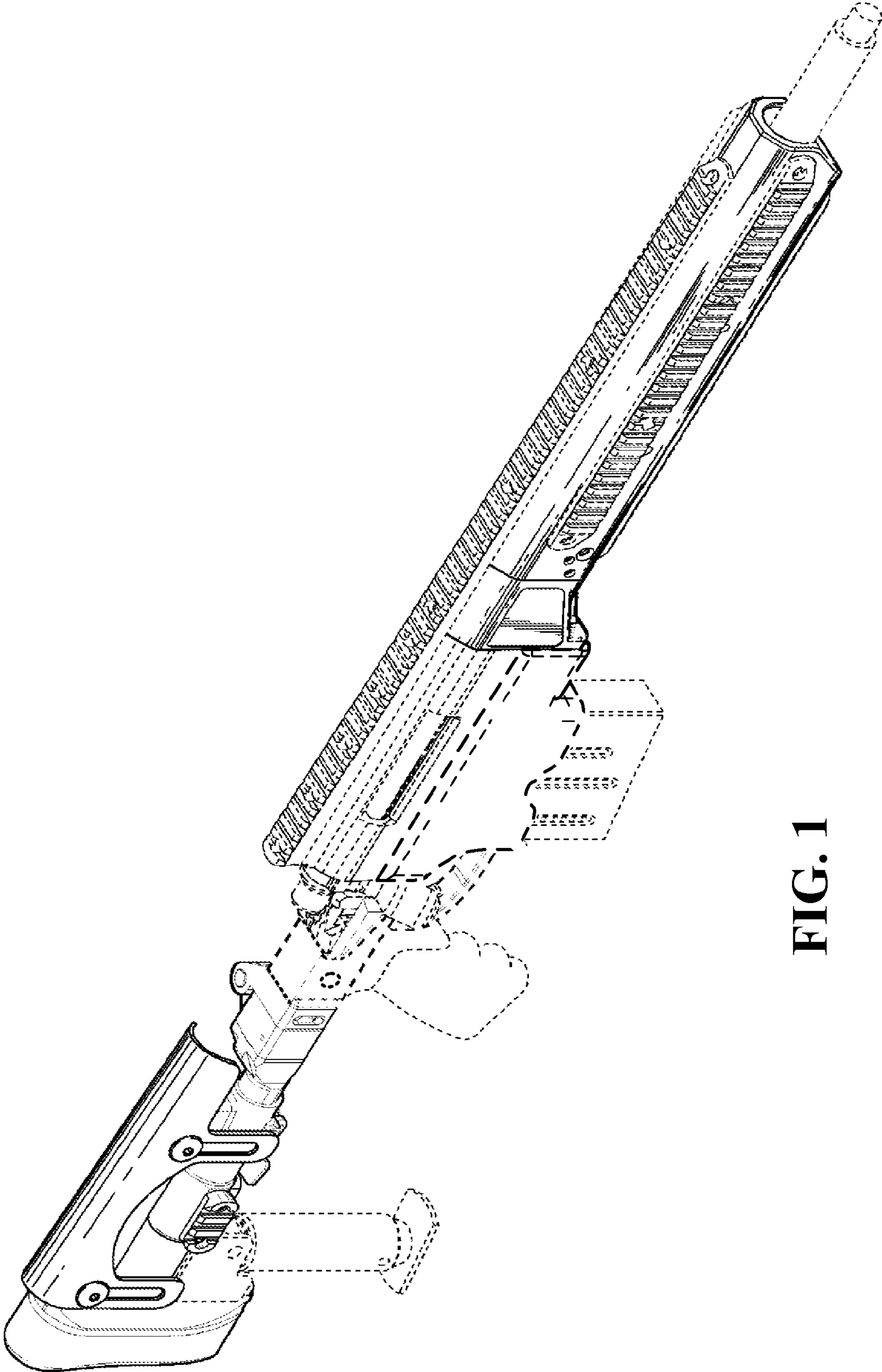


FIG. 1

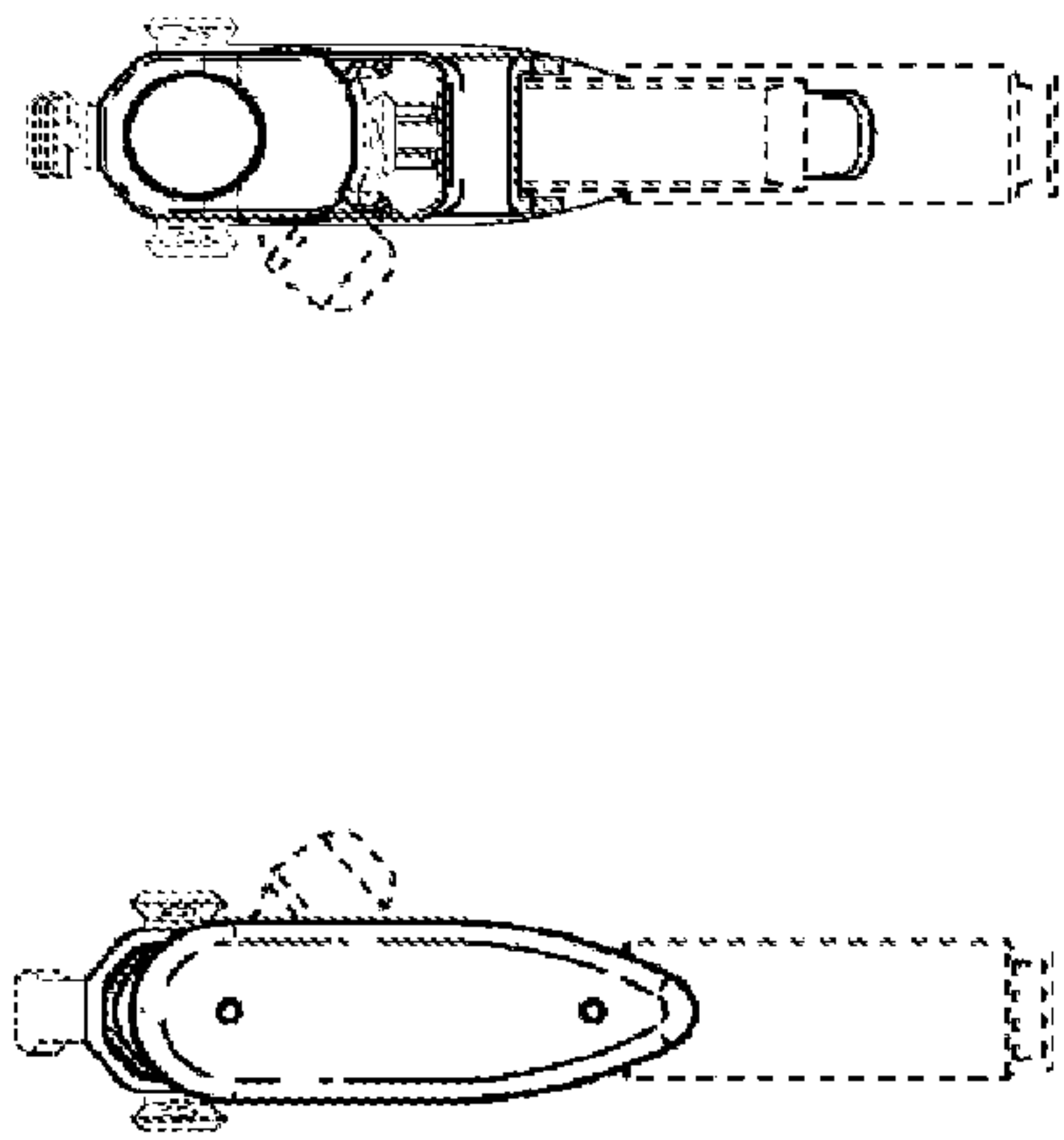


FIG. 2

FIG. 3

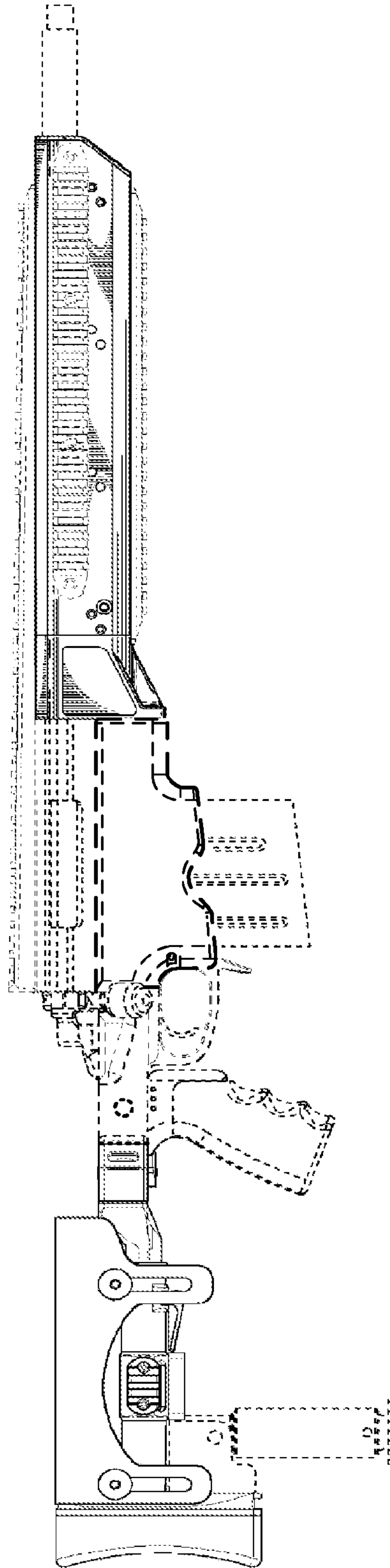


FIG. 4

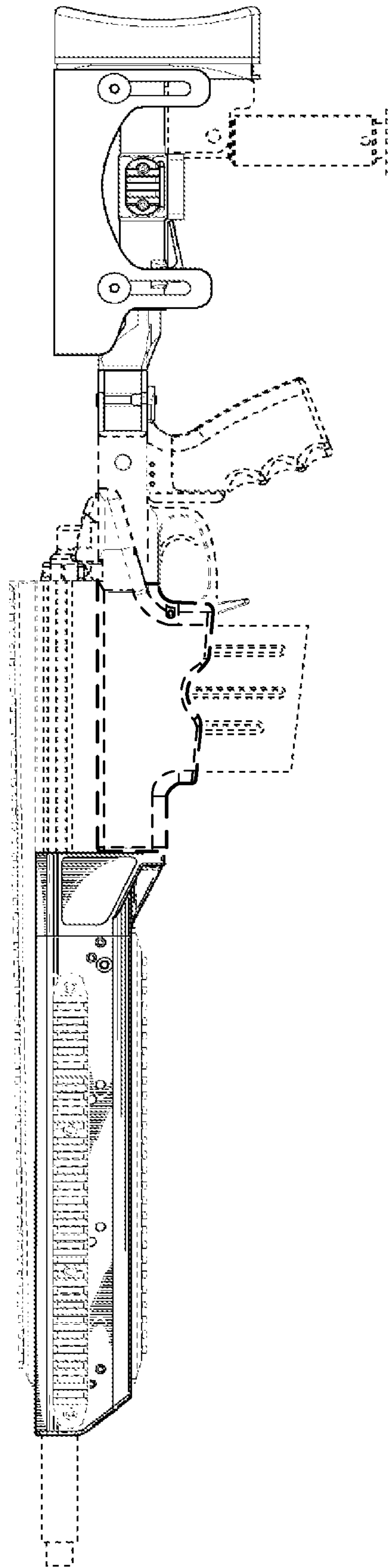


FIG. 5

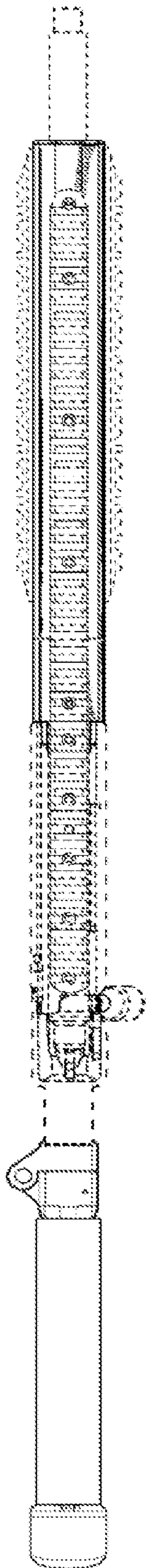


FIG. 6

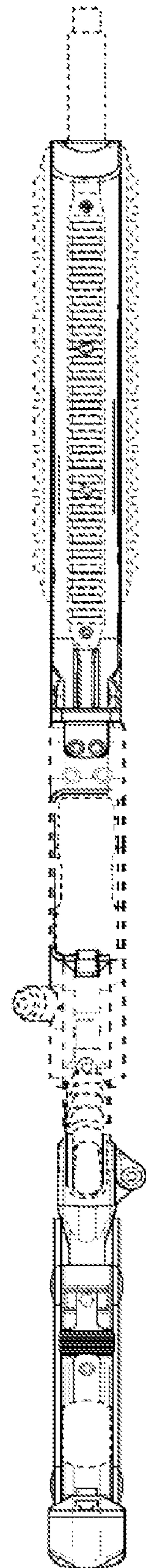


FIG. 7

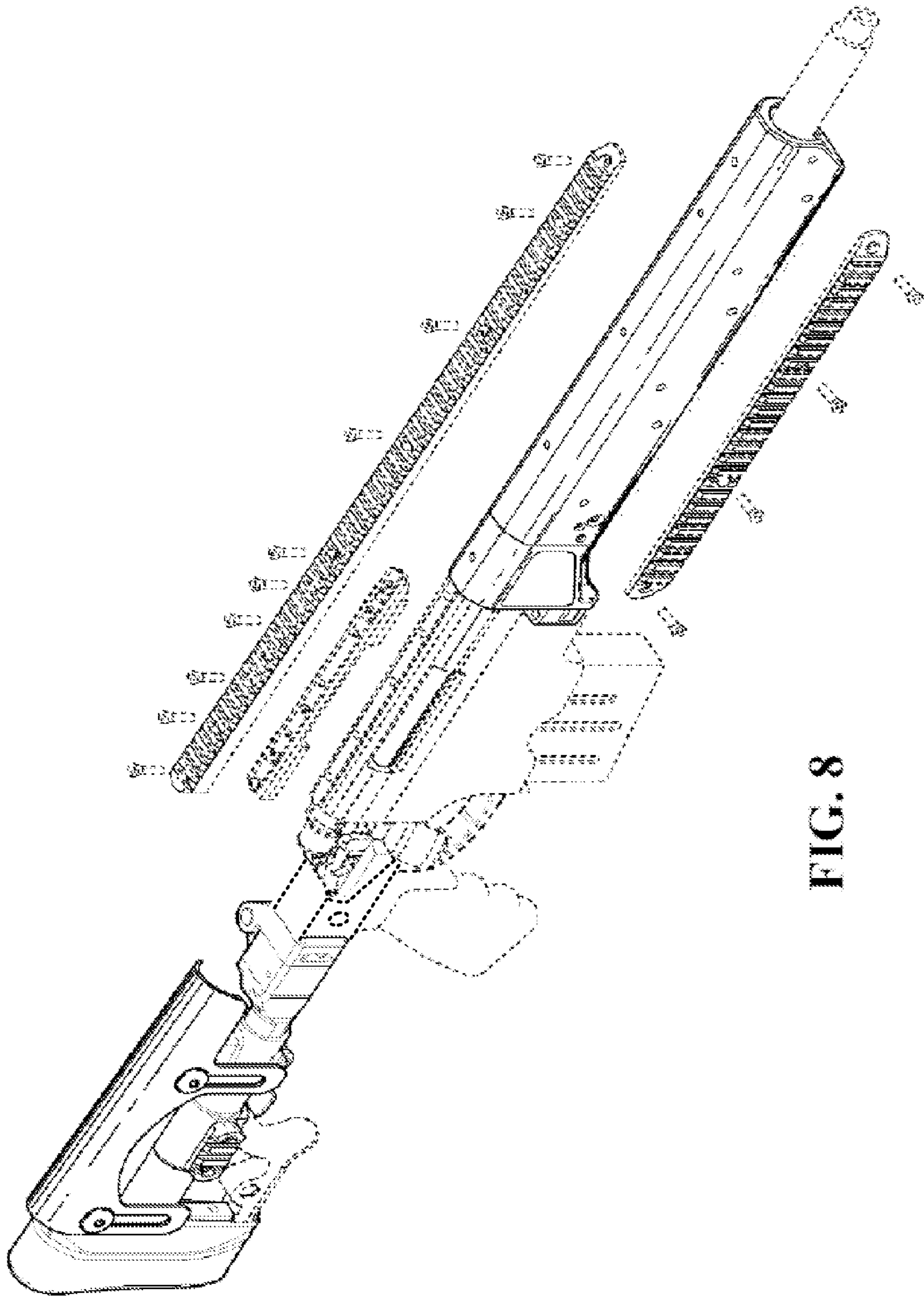


FIG. 8