



US00D645531S

(12) **United States Design Patent**
Nebbia

(10) **Patent No.:** **US D645,531 S**

(45) **Date of Patent:** **** Sep. 20, 2011**

(54) **FOLDING DIVOT REPAIR TOOL**

(75) **Inventor:** **David G. Nebbia**, Suwanee, GA (US)

(73) **Assignee:** **The Perfect Golf Company LLC**,
Suwanee, GA (US)

(**) **Term:** **14 Years**

(21) **Appl. No.:** **29/372,307**

(22) **Filed:** **Nov. 8, 2010**

(51) **LOC (9) Cl.** **21-02**

(52) **U.S. Cl.** **D21/793**

(58) **Field of Classification Search** D21/789,
D21/793, 794; 473/286, 408

See application file for complete search history.

(56) **References Cited**

U.S. PATENT DOCUMENTS

5,759,120	A *	6/1998	Mathis et al.	473/408
D424,151	S *	5/2000	Miura	D21/793
D434,825	S *	12/2000	Miura	D21/793
D538,374	S *	3/2007	Dow	D21/793

* cited by examiner

Primary Examiner — Mitchell Siegel

(74) *Attorney, Agent, or Firm* — William Nitkin

(57) **CLAIM**

The ornamental design for a folding divot repair tool, as shown and described.

DESCRIPTION

FIG. 1 is a perspective view of a divot repair tool in its open mode showing my new design;

FIG. 2 is a right side elevational view thereof in its open mode;

FIG. 3 is a left side elevational view thereof in its open mode;

FIG. 4 is a front elevational view thereof in its open mode;

FIG. 5 is a rear elevational view thereof in its open mode;

FIG. 6 is a top plan view thereof in its open mode;

FIG. 7 is a bottom plan view thereof in its open mode;

FIG. 8 is an enlarged perspective view of a divot repair tool in its closed mode;

FIG. 9 is a slightly enlarged right side elevational view thereof in its closed mode;

FIG. 10 is a slightly enlarged left side elevational view thereof in its closed mode;

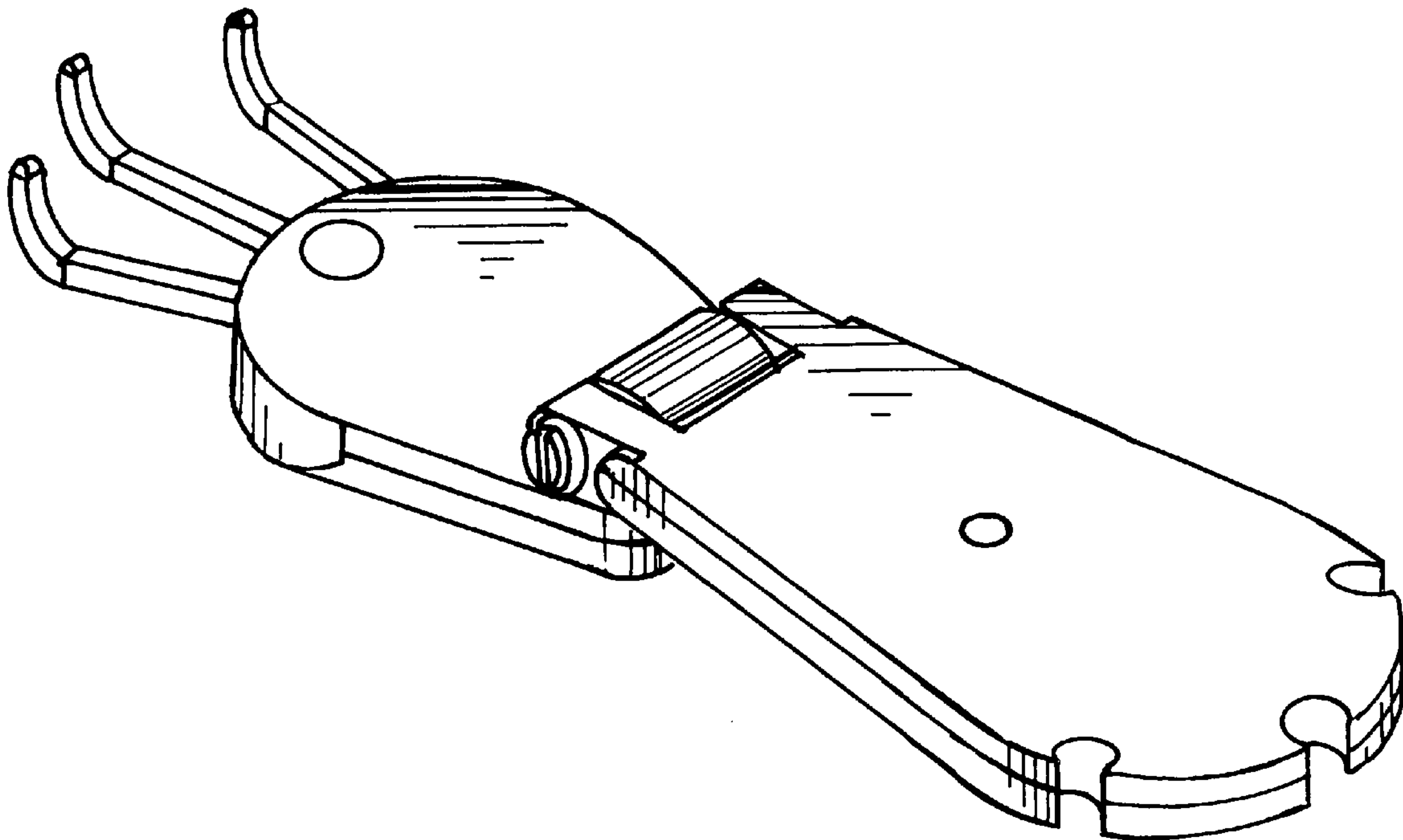
FIG. 11 is a slightly enlarged rear elevational view thereof in its closed mode;

FIG. 12 is a slightly enlarged front elevational view thereof in its closed mode;

FIG. 13 is a slightly enlarged bottom plan view thereof in its closed mode; and,

FIG. 14 is a slightly enlarged top plan view thereof in its closed mode.

1 Claim, 7 Drawing Sheets



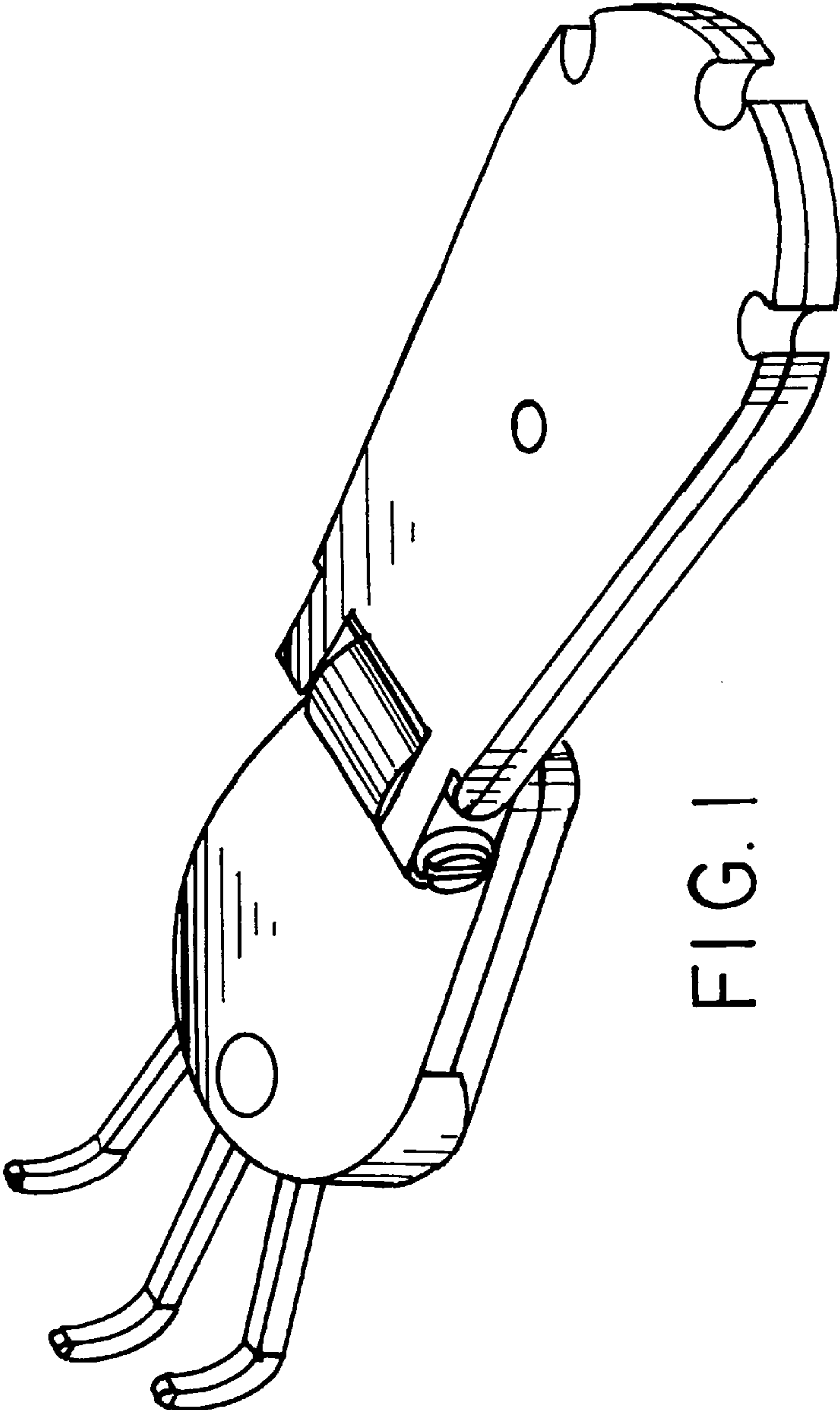


FIG. 1

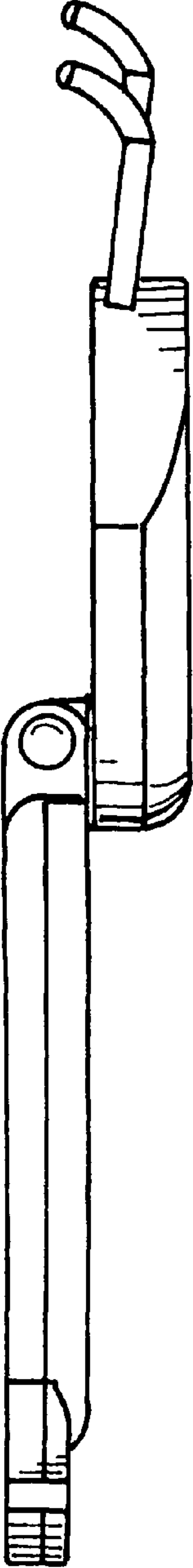


FIG. 2

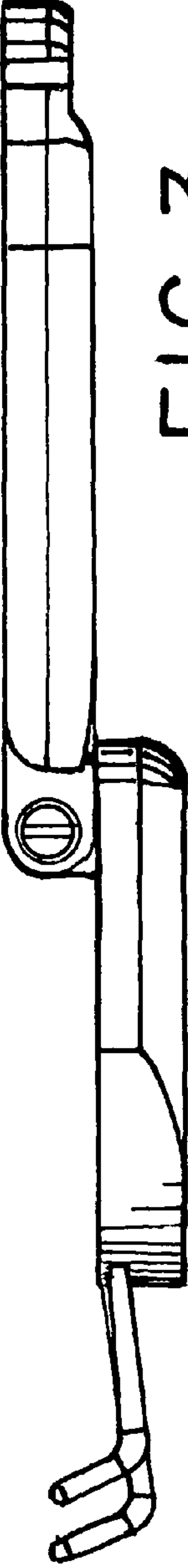


FIG. 3

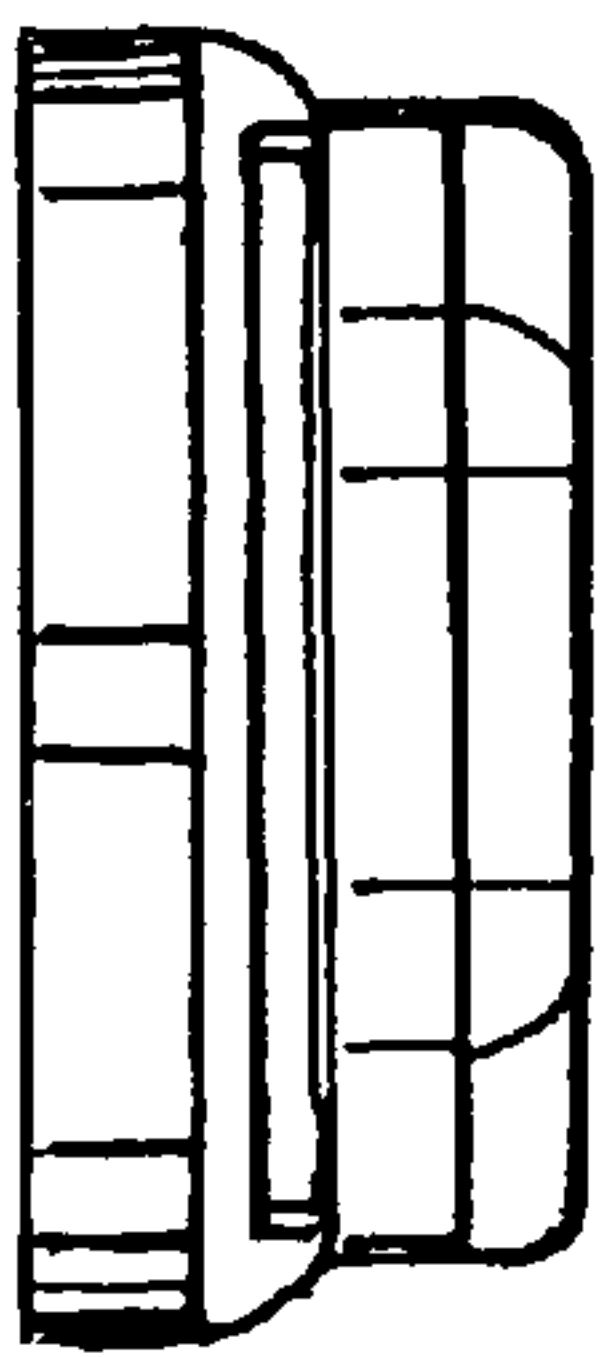


FIG. 4

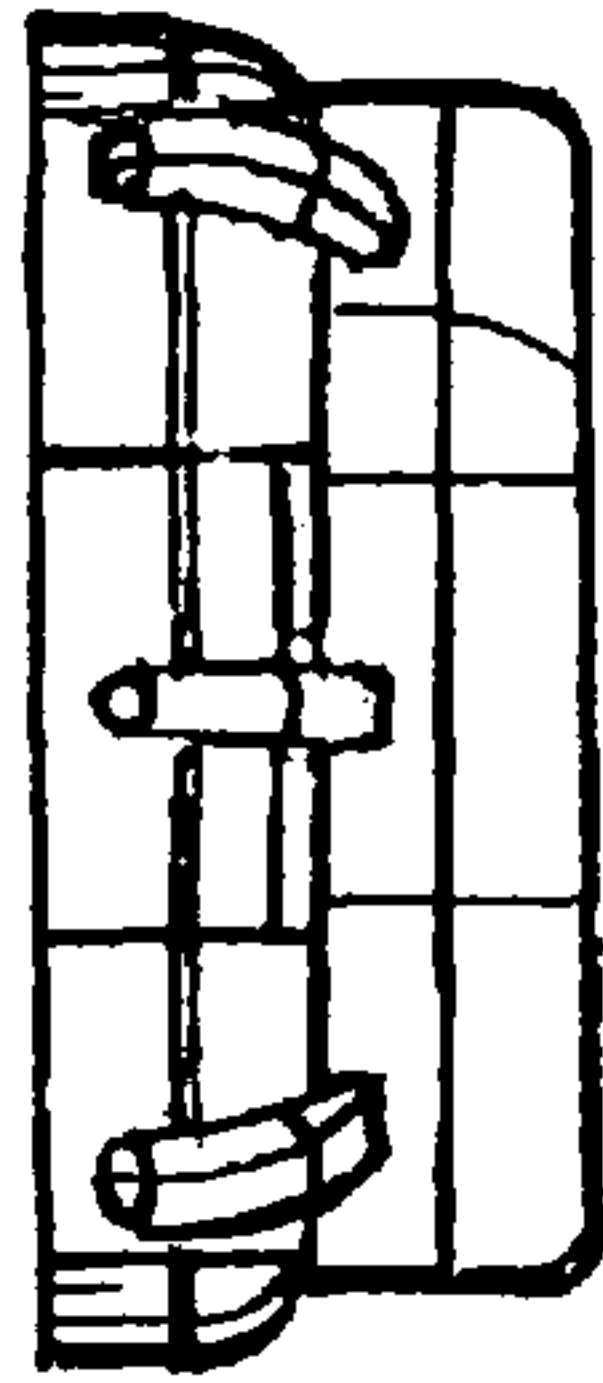


FIG. 5

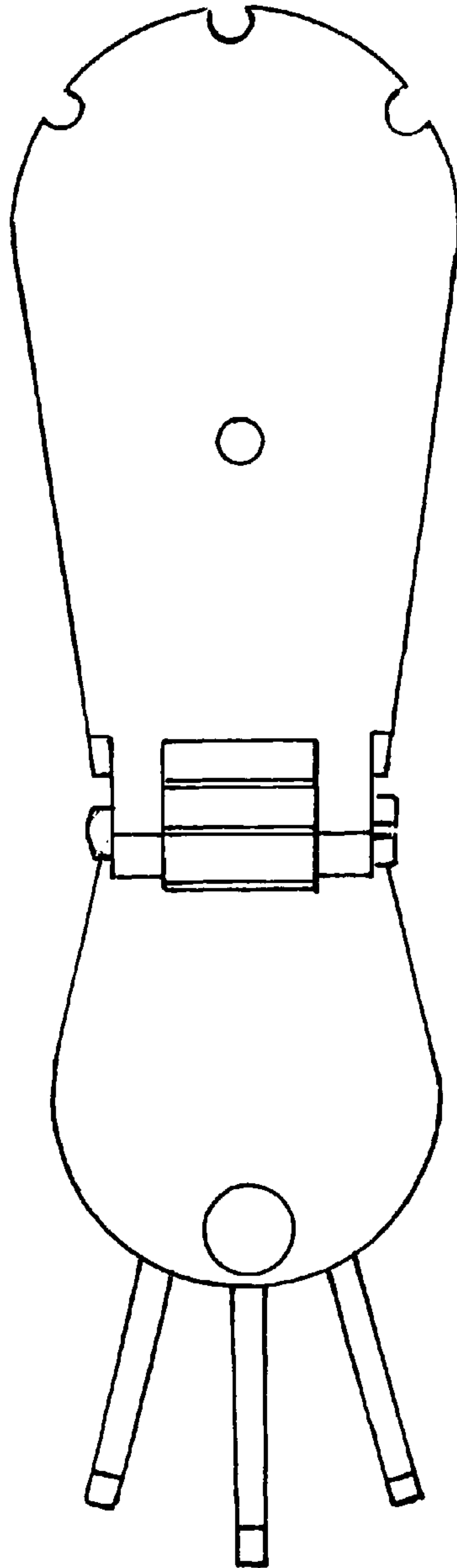


FIG. 6

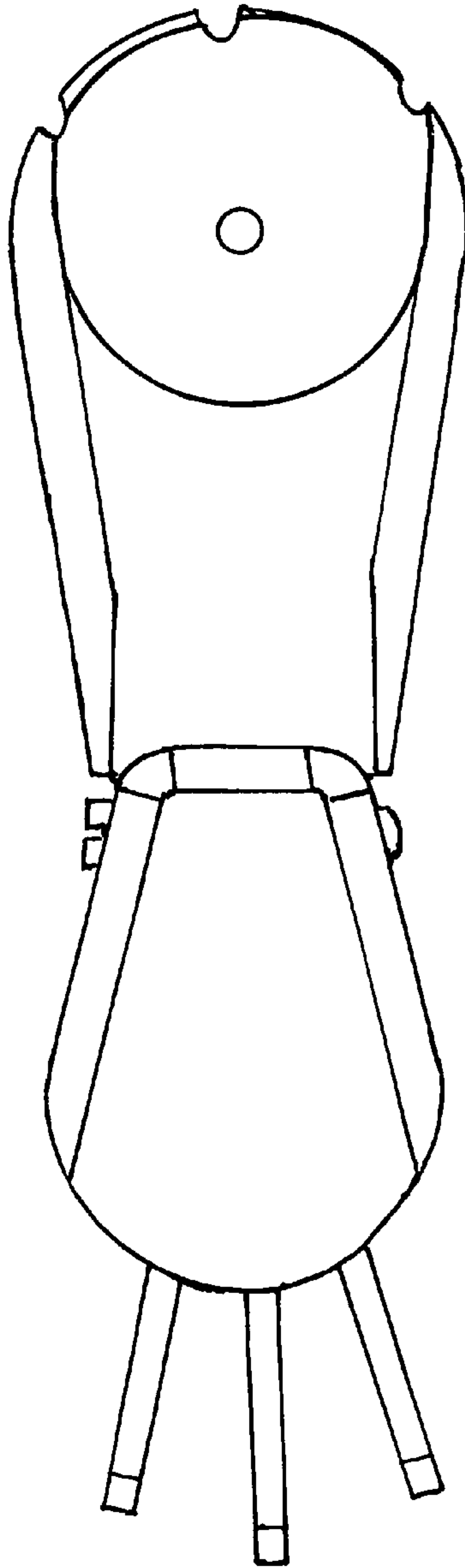


FIG. 7

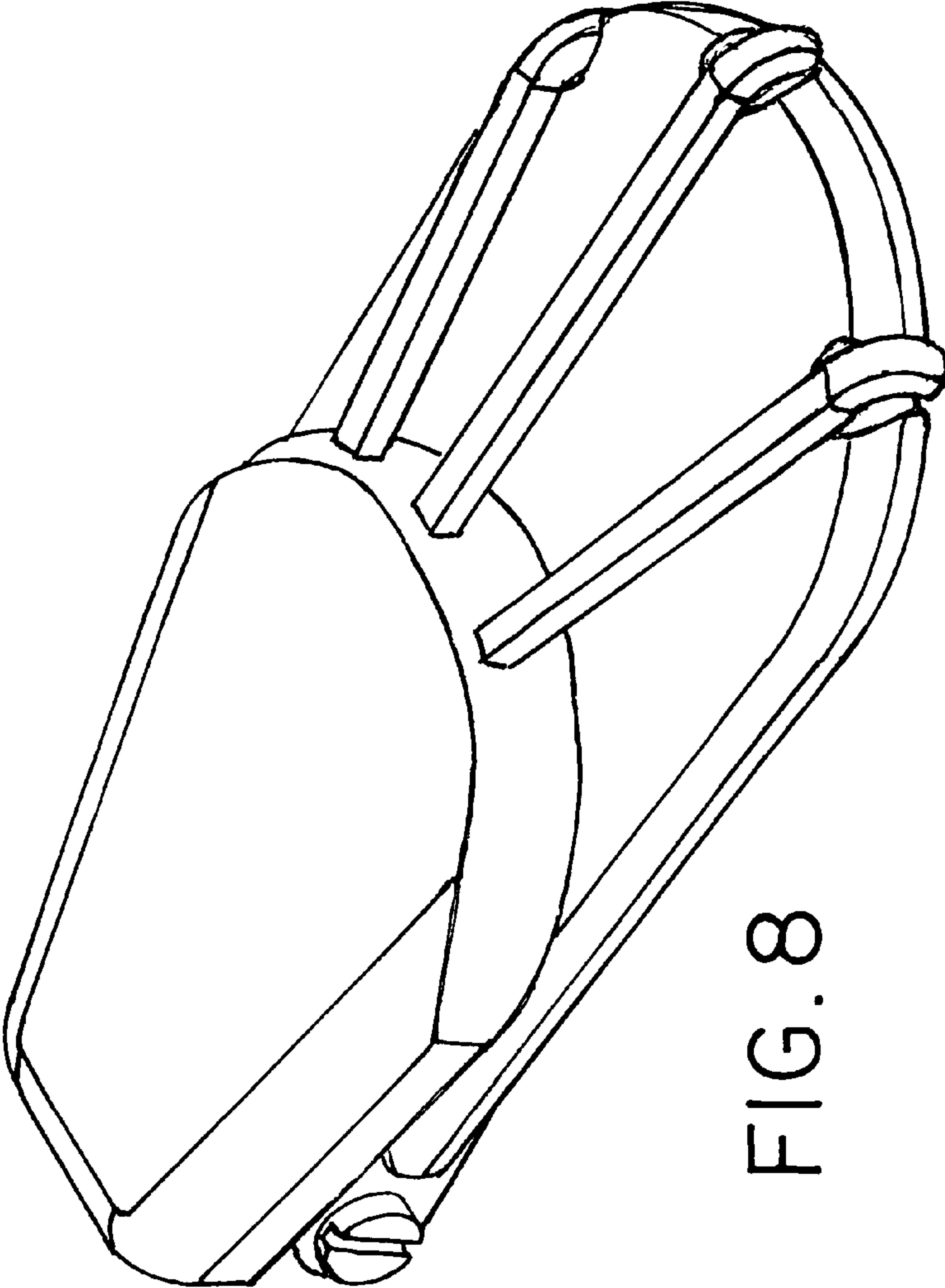


FIG. 8

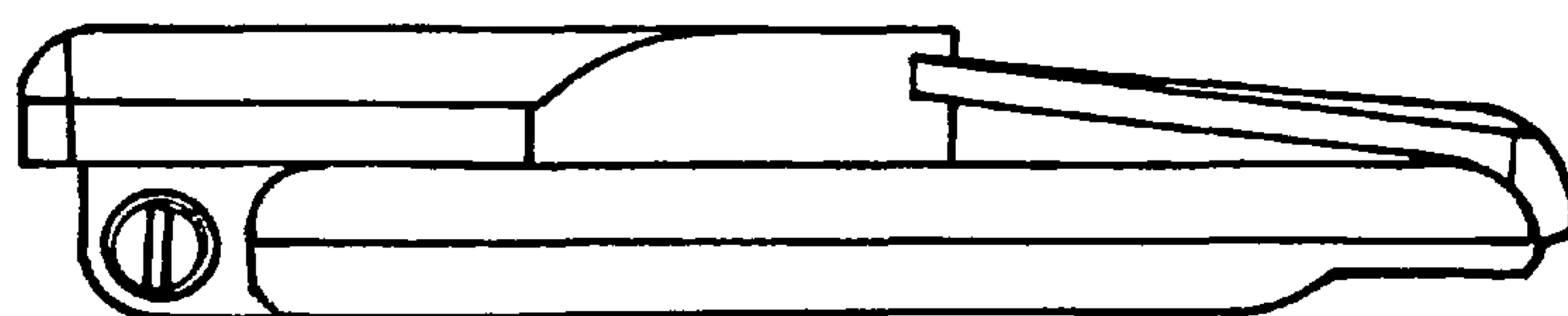


FIG. 9

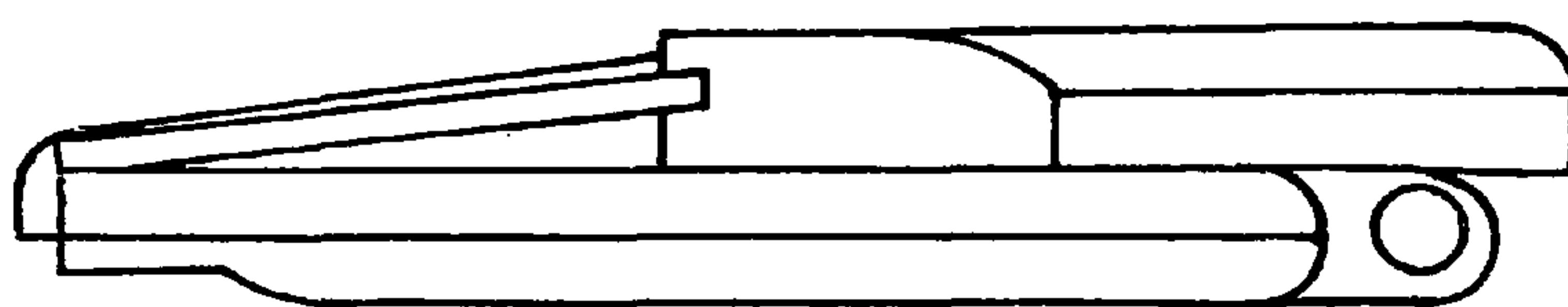


FIG. 10

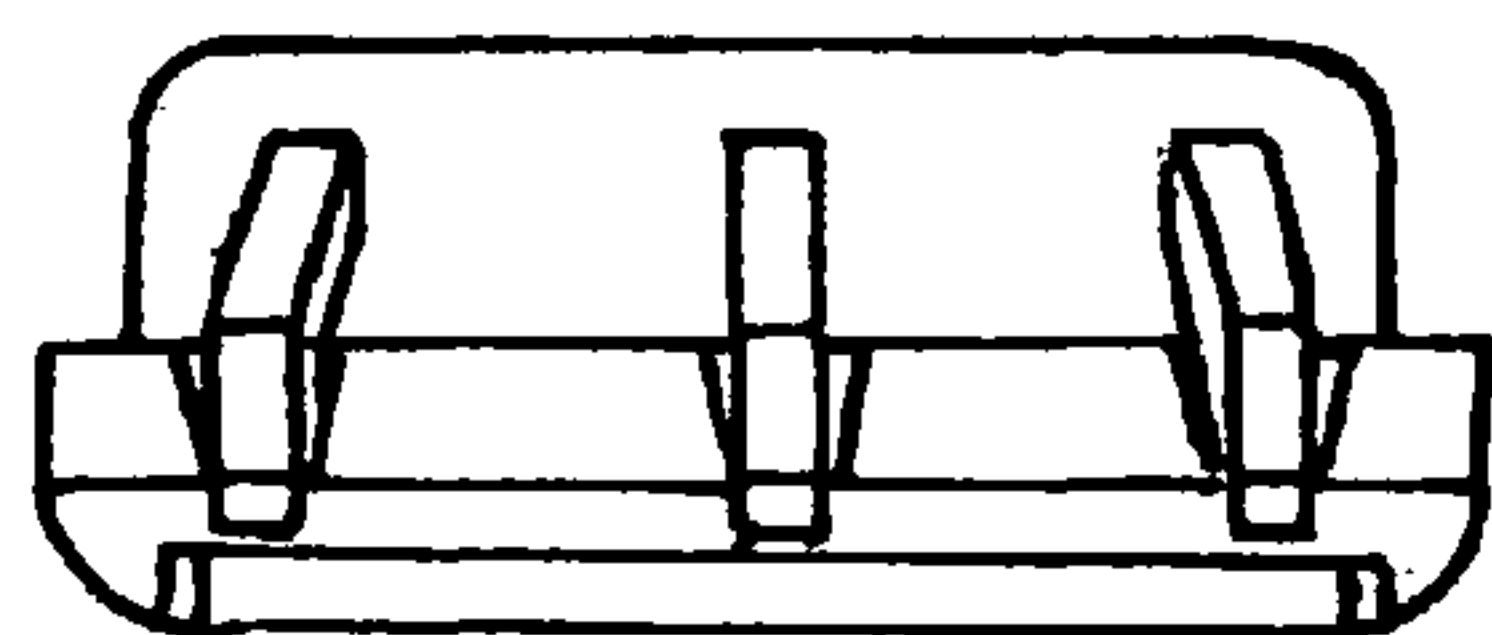


FIG. 11

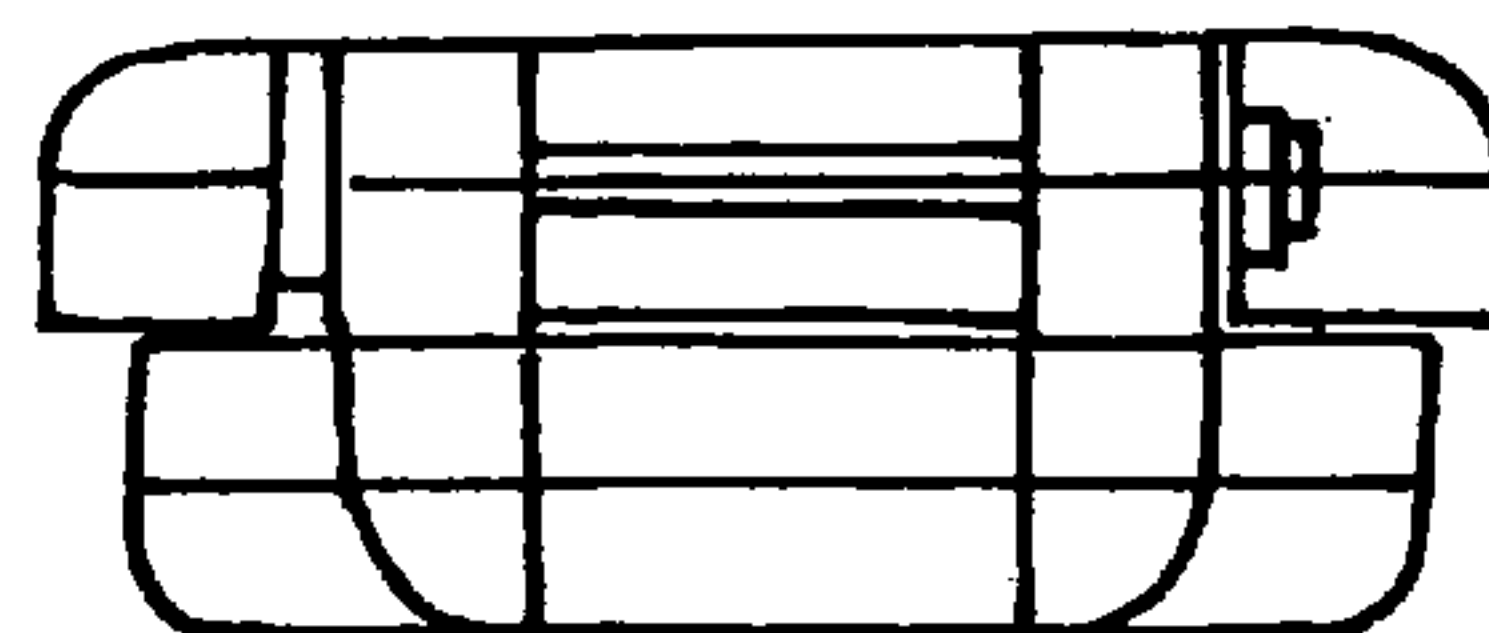


FIG. 12

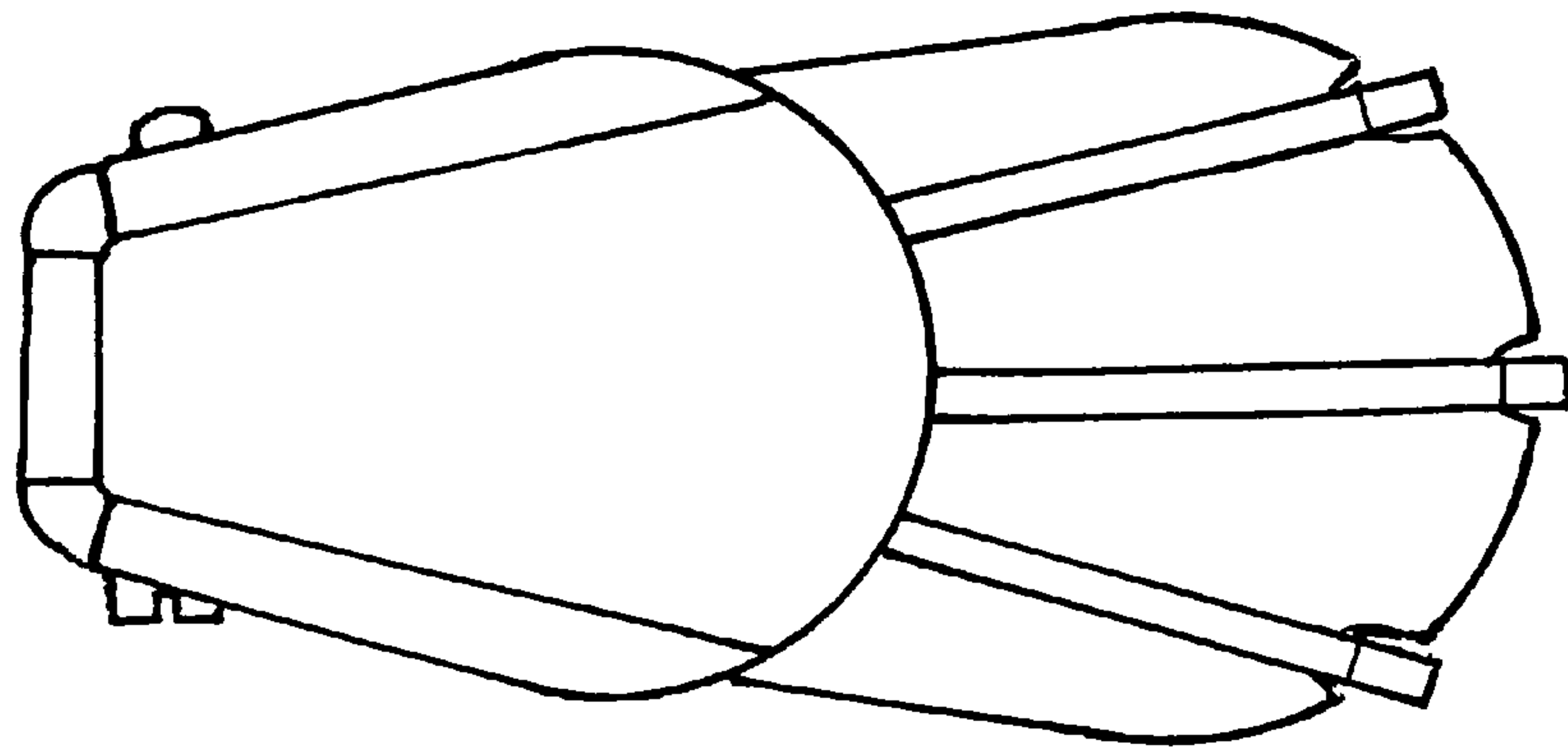


FIG. 13

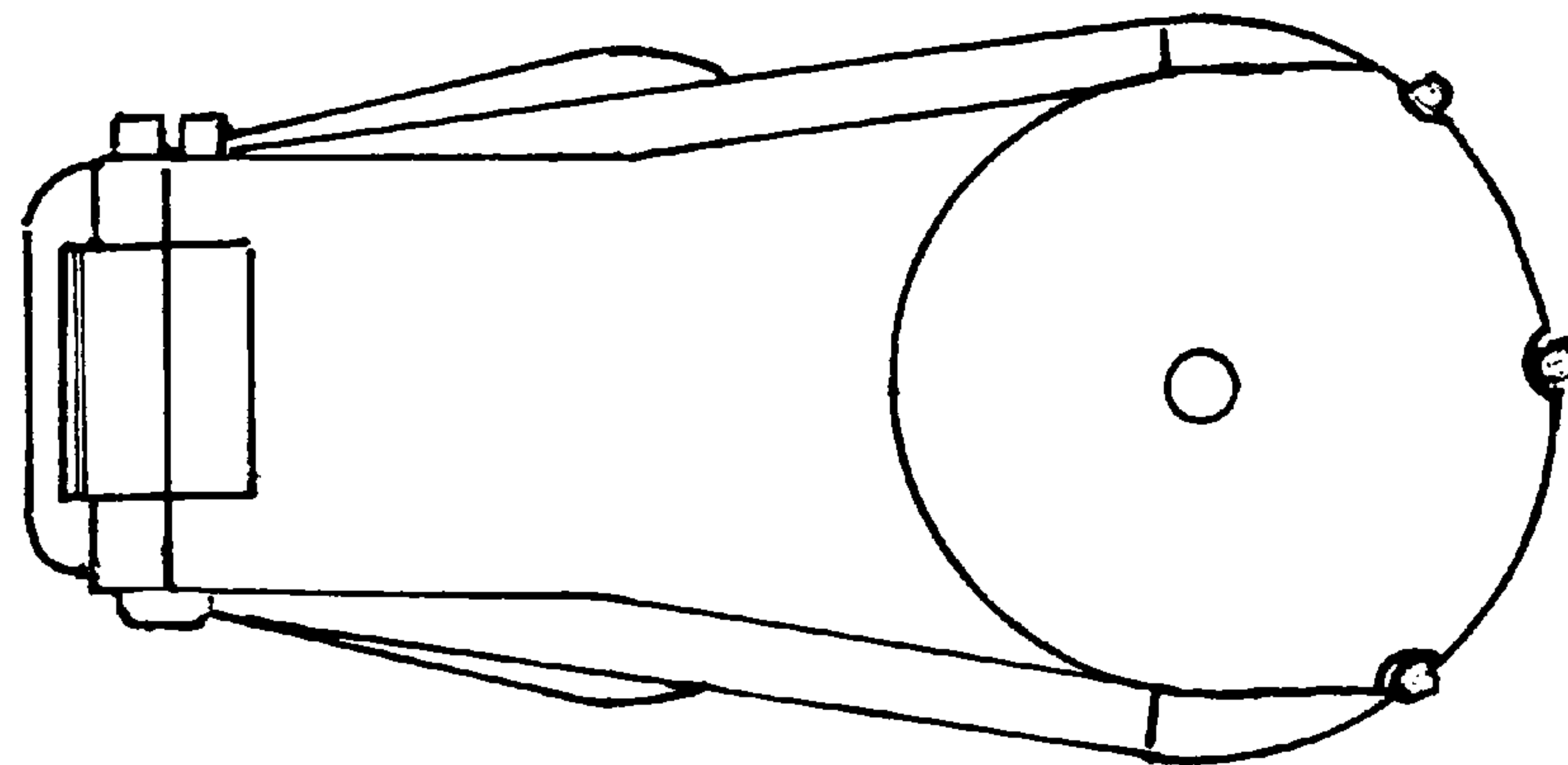


FIG. 14