

US00D645527S

(12) **United States Design Patent**
Norman et al.

(10) **Patent No.:** **US D645,527 S**

(45) **Date of Patent:** **** Sep. 20, 2011**

(54) **INSECT TOY**

(75) Inventors: **David Anthony Norman**, Greenville, TX (US); **Robert Henry Mimlitch, III**, Rowlett, TX (US); **Joel Reagan Carter**, Argyle, TX (US); **Douglas Michael Galletti**, Allen, TX (US)

(73) Assignee: **Innovation First, Inc.**, Greenville, TX (US)

(**) Term: **14 Years**

(21) Appl. No.: **29/362,449**

(22) Filed: **May 25, 2010**

(51) **LOC (9) Cl.** **21-01**

(52) **U.S. Cl.** **D21/650; D21/585**

(58) **Field of Classification Search** D11/157-158; D21/576, 578-579, 584-585, 650; 446/3, 446/72, 97, 268, 356, 368, 377, 484

See application file for complete search history.

(56) **References Cited**

U.S. PATENT DOCUMENTS

D289,070	S	*	3/1987	Forbes et al.	D21/650
D289,747	S	*	5/1987	Sethares et al.	D11/158
D291,711	S	*	9/1987	Dixon	D21/650
5,040,626	A	*	8/1991	Paynter	180/8.1
D405,850	S	*	2/1999	Witkin	D21/650
D421,932	S	*	3/2000	Hawkins et al.	D11/158
D427,256	S	*	6/2000	Teigiser	D21/650

6,238,264	B1	*	5/2001	Kazami et al.	446/368
D456,467	S	*	4/2002	Corbett	D21/650
6,652,352	B1	*	11/2003	MacArthur et al.	446/356
6,681,150	B1	*	1/2004	Haga et al.	446/368
6,964,309	B2	*	11/2005	Quinn et al.	180/8.1
D517,131	S	*	3/2006	Carruth	D21/592
7,204,455	B2	*	4/2007	Sinclair	244/72
D555,213	S	*	11/2007	Bowen et al.	D21/578

* cited by examiner

Primary Examiner — Sandra Morris

(74) *Attorney, Agent, or Firm* — Fish & Richardson P.C.

(57) **CLAIM**

The ornamental design for an insect toy, as shown and described.

DESCRIPTION

FIG. 1 is a perspective view of an insect toy showing the top, front, and left sides of my new design;

FIG. 2 is a front side view thereof;

FIG. 3 is a rear side view thereof;

FIG. 4 is a left side view thereof;

FIG. 5 is a right side view thereof;

FIG. 6 is a top plan view thereof; and

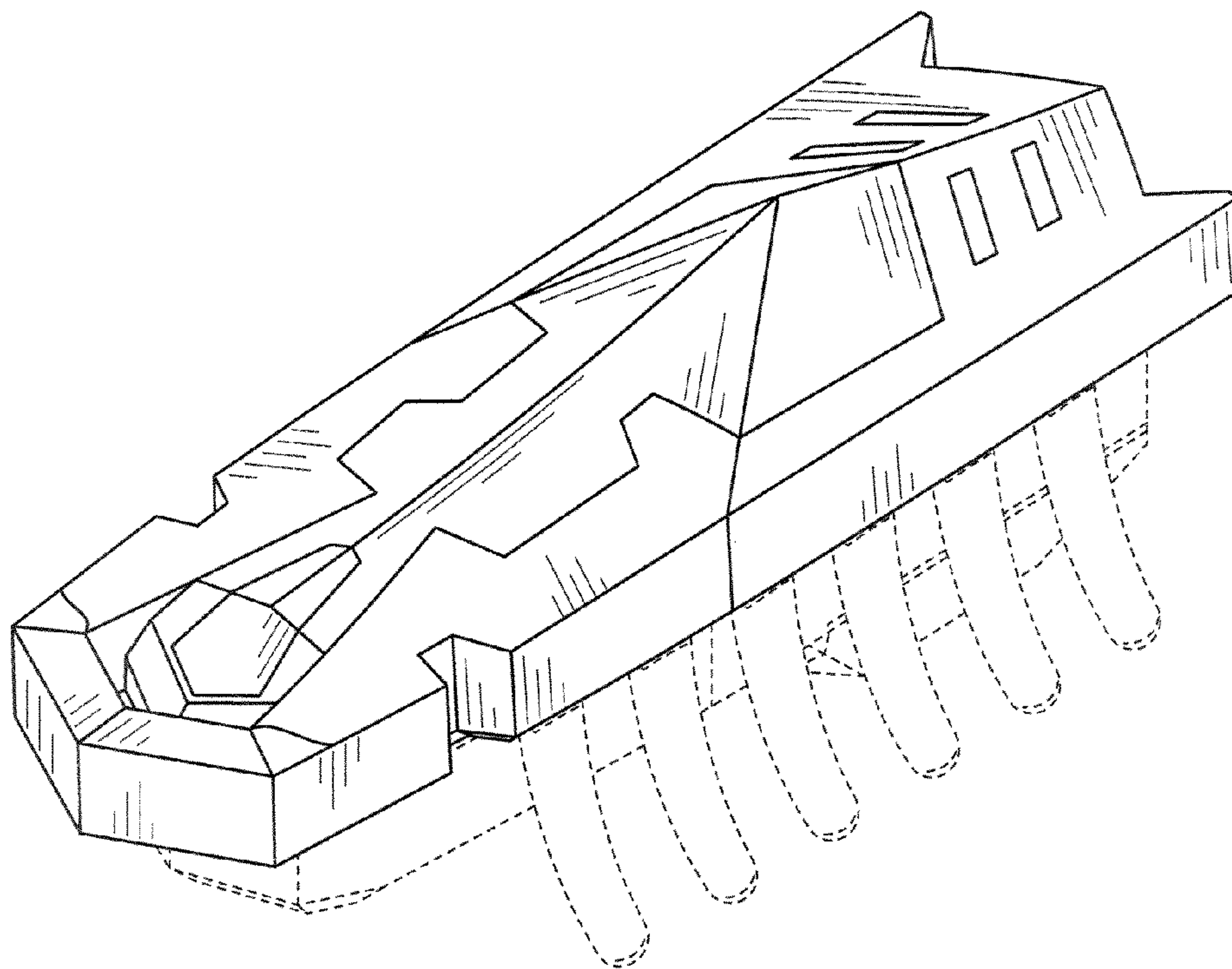
FIG. 7 is a second perspective view showing the top, front, and right sides thereof;

FIG. 8 is a first bottom perspective view showing the bottom, front, and left sides thereof; and,

FIG. 9 is a second bottom perspective view showing the bottom, rear, and left sides thereof.

The broken lines are for environmental purposes only and form no part of the claimed design.

1 Claim, 6 Drawing Sheets



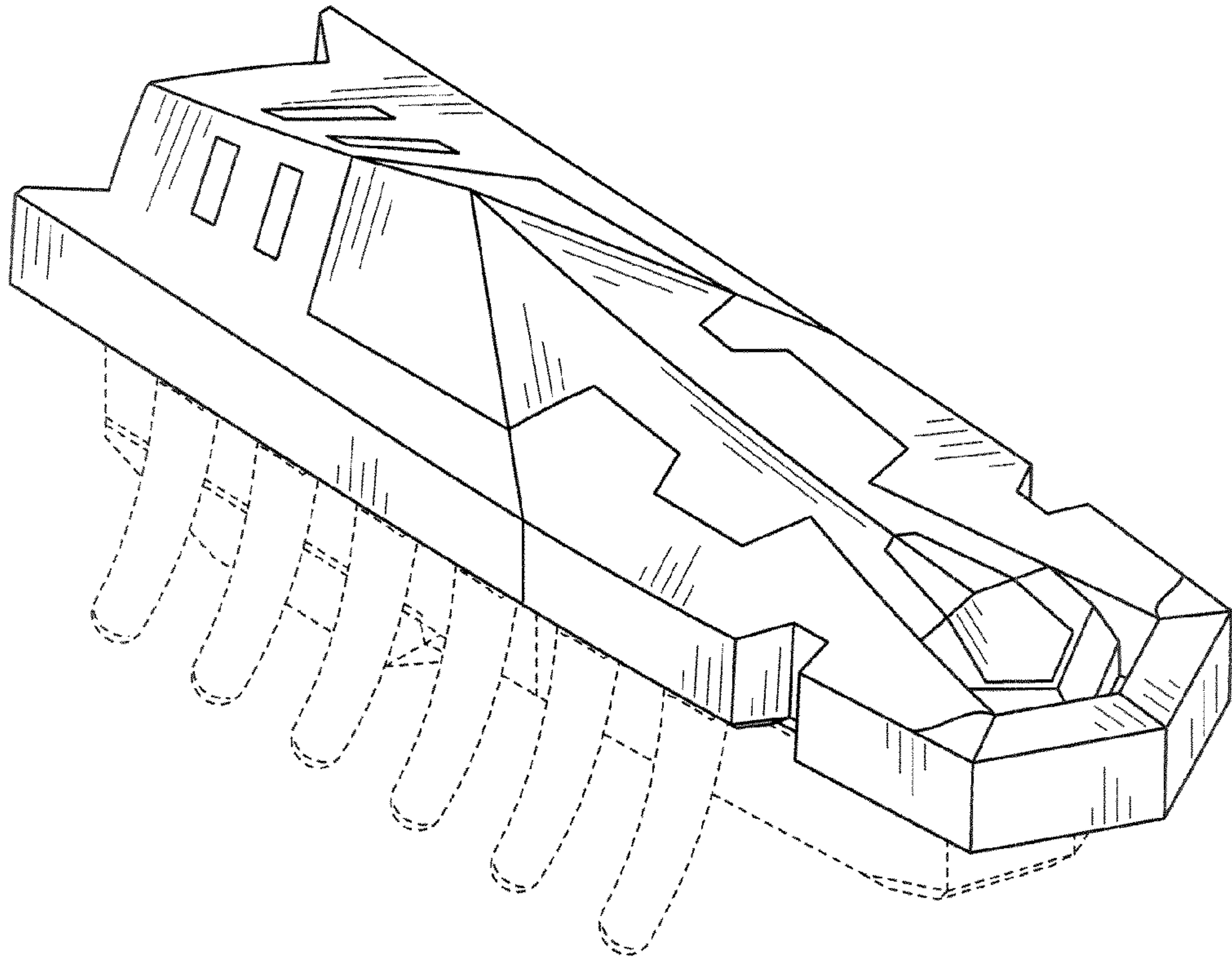


FIG. 1

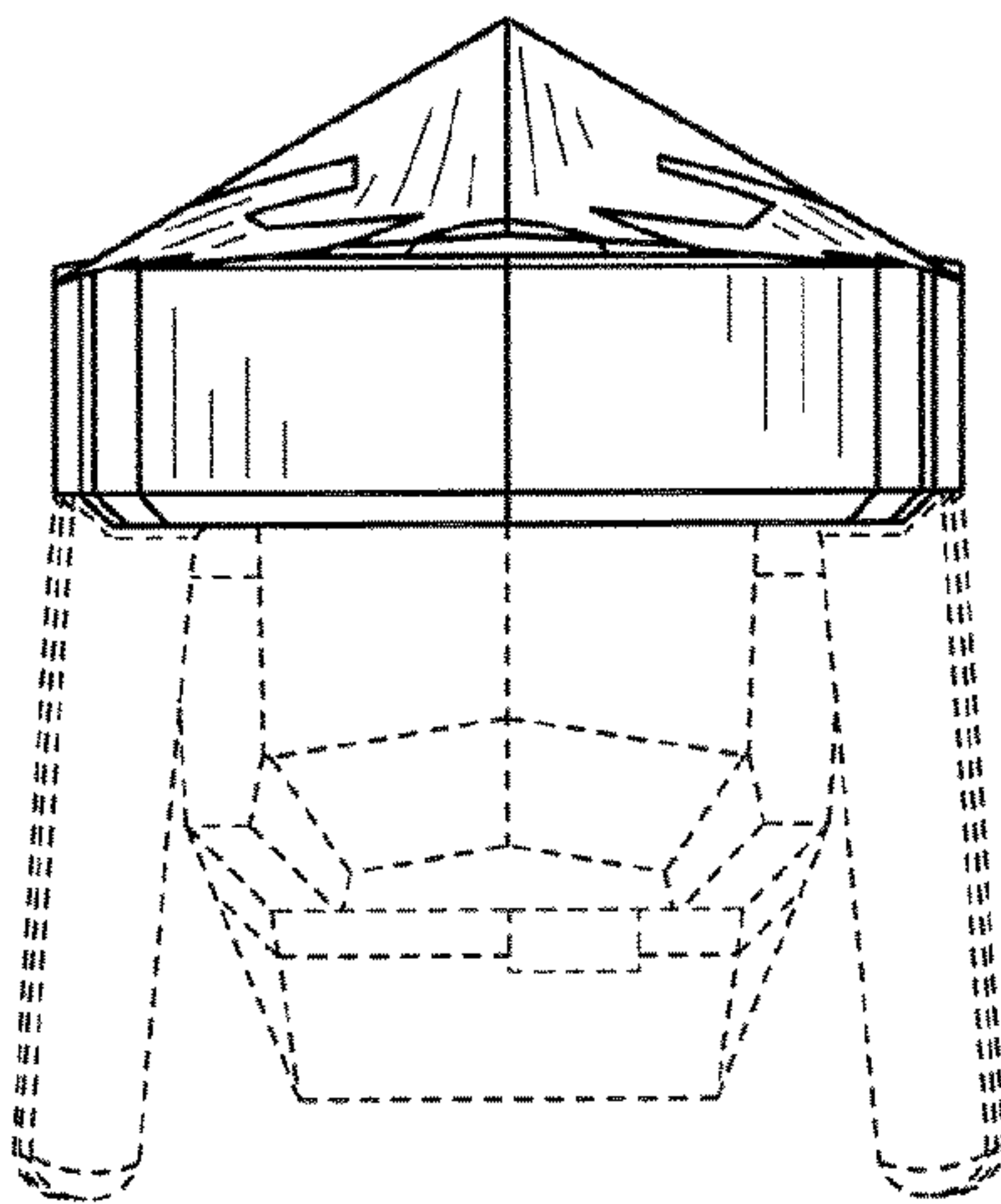


FIG. 2

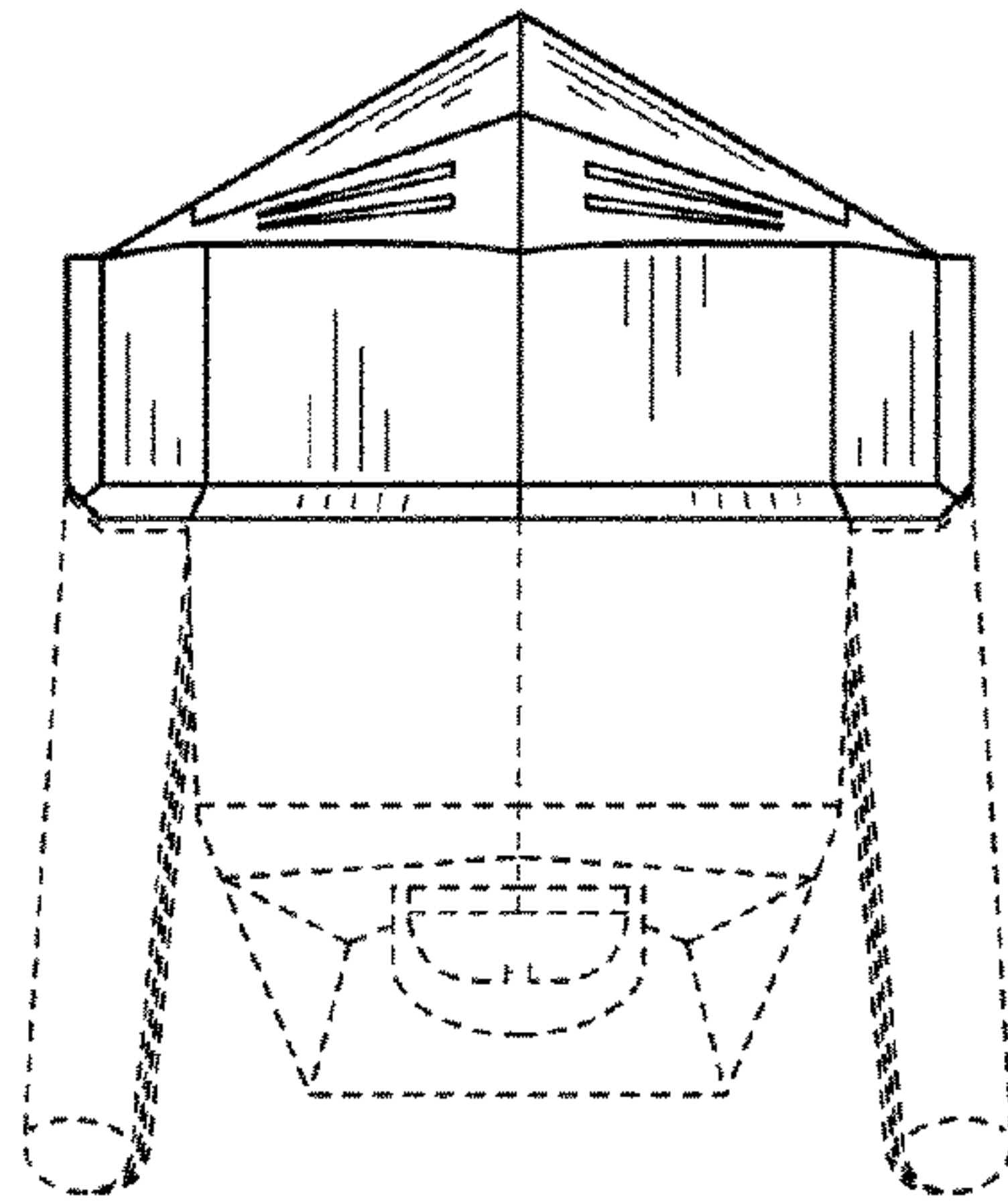


FIG. 3

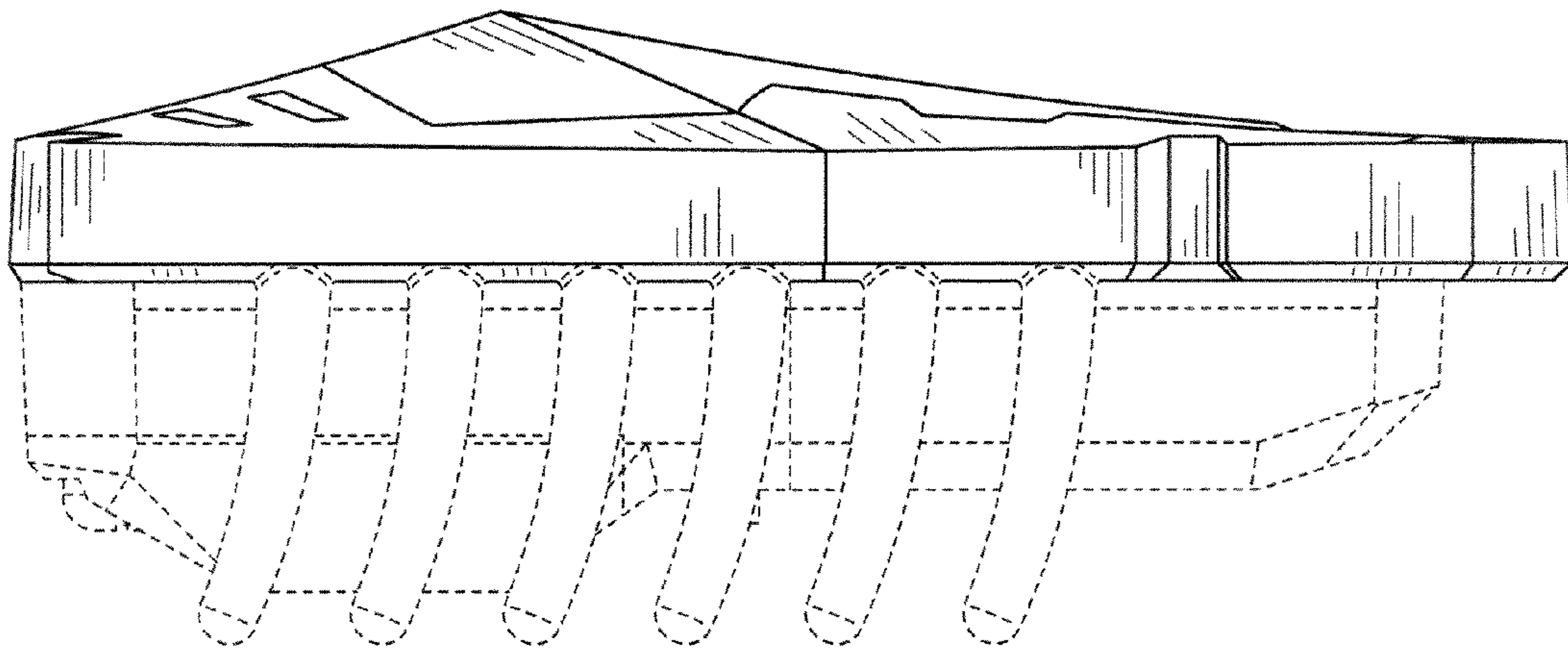


FIG. 4

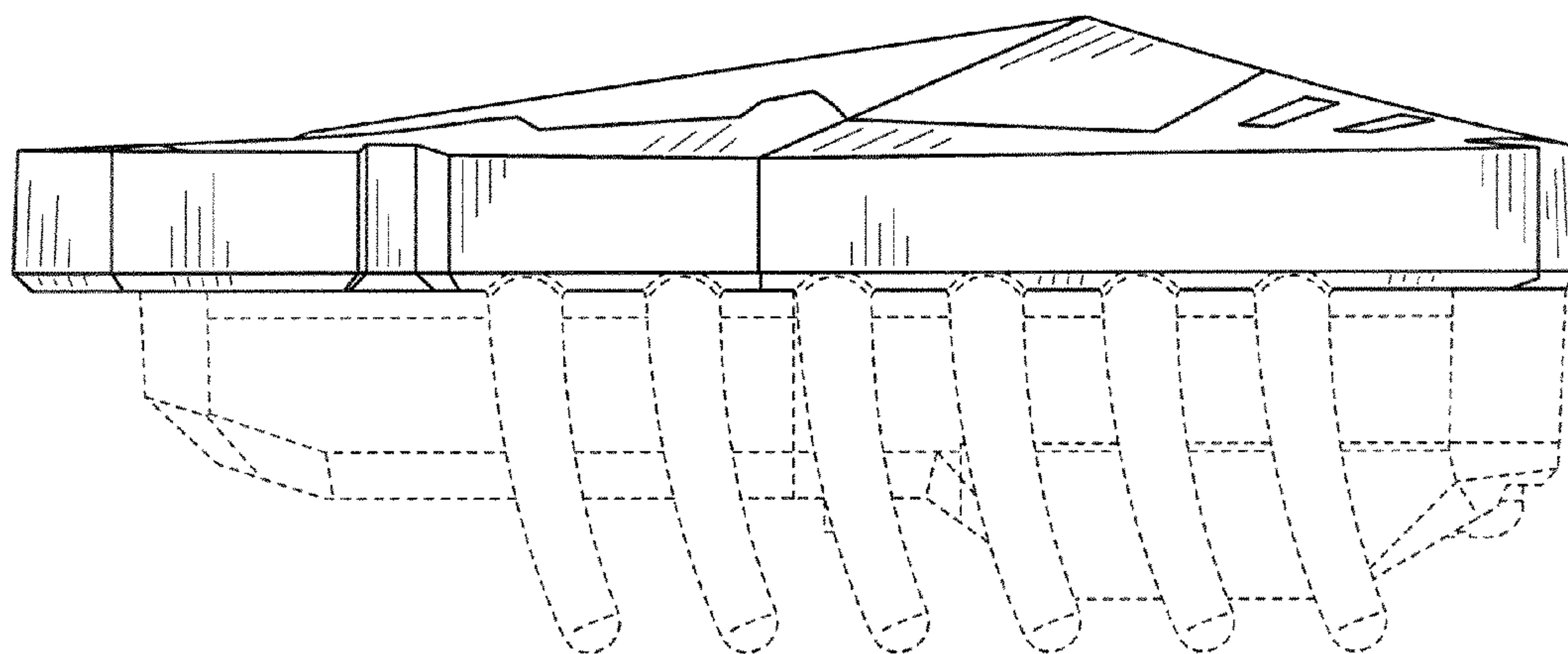


FIG. 5

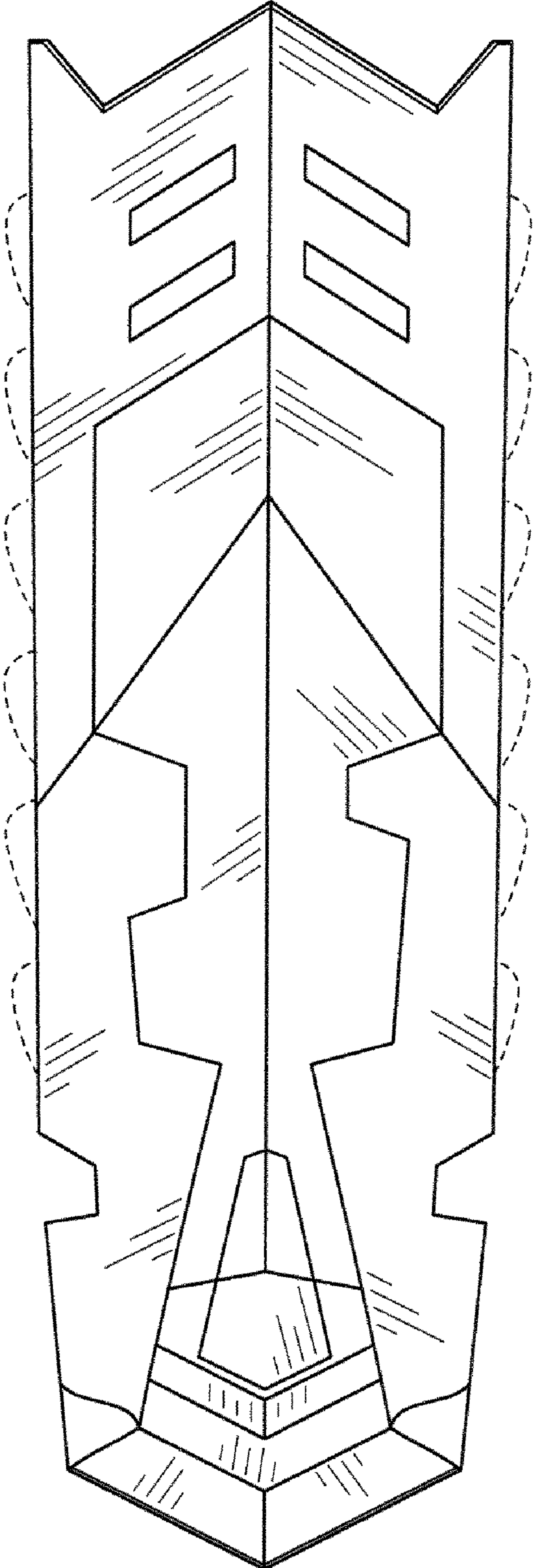


FIG. 6

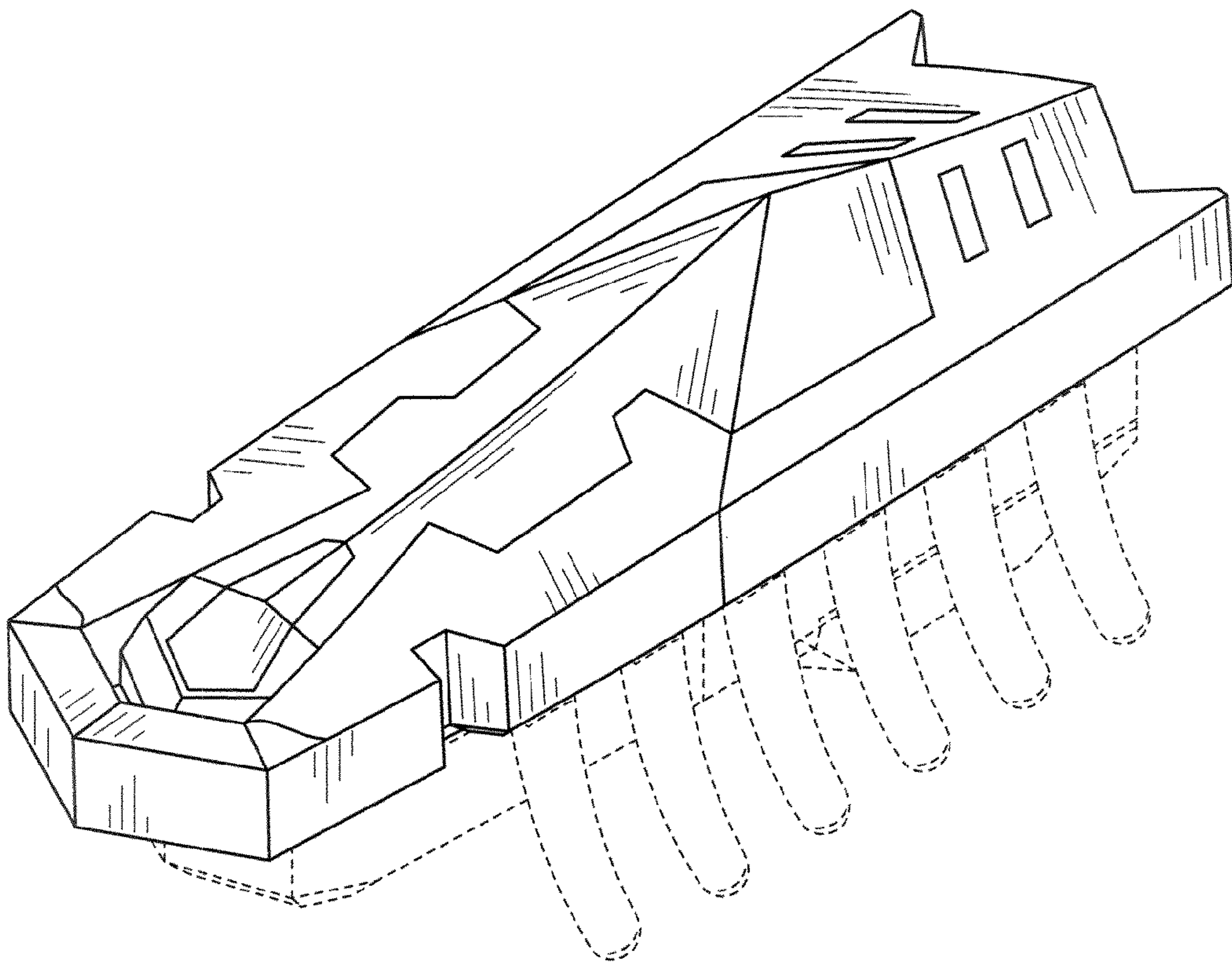


FIG. 7

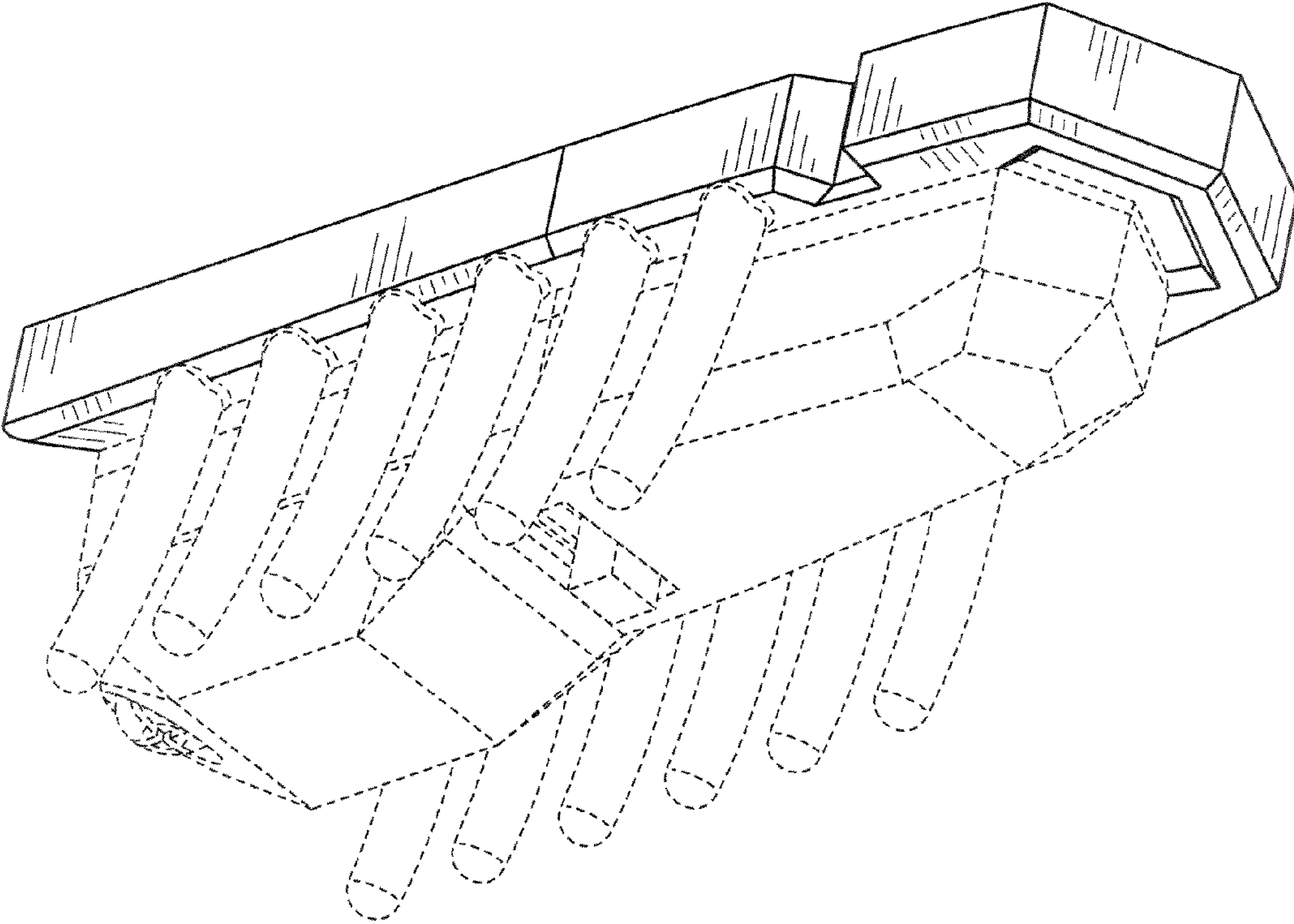


FIG. 8

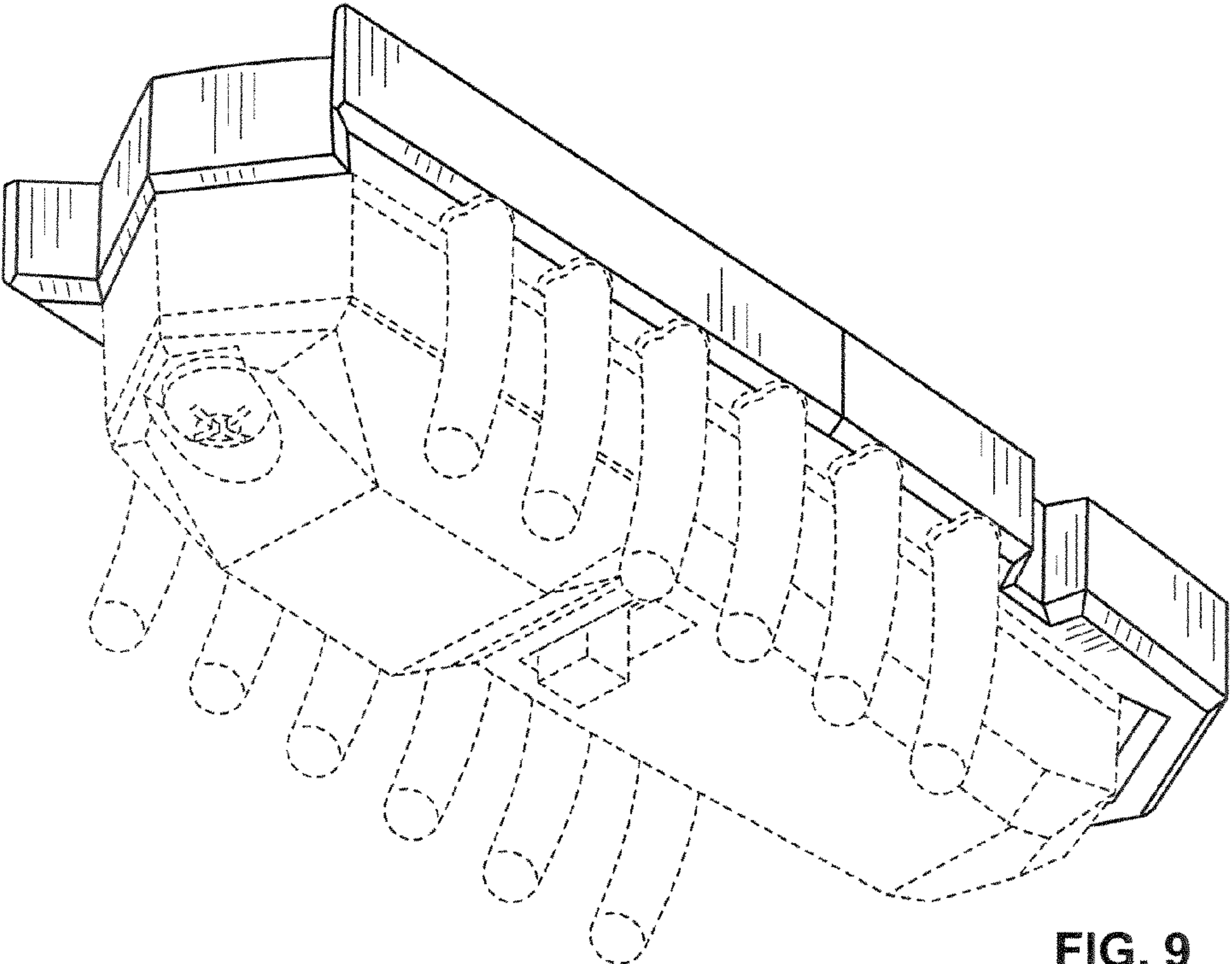


FIG. 9